

US00D506221S

(12) **United States Design Patent**
Huang

(10) **Patent No.:** **US D506,221 S**
(45) **Date of Patent:** **** Jun. 14, 2005**

- (54) **PAINTING PEN**
- (75) Inventor: **Tao-Tien Huang**, Bitou (TW)
- (73) Assignee: **Victoria Cosmetic Co., Ltd.**, Changhua Hsien (TW)
- (**) Term: **14 Years**
- (21) Appl. No.: **29/208,625**
- (22) Filed: **Jul. 1, 2004**
- (51) **LOC (8) Cl.** **19-06**
- (52) **U.S. Cl.** **D19/43; D19/49; D19/36**
- (58) **Field of Search** **D4/114; D19/35-36, D19/41-51, 53-58, 81-85; 401/17, 18, 21, 29-34, 52, 88, 98, 196, 198, 202, 213, 243-247, 261, 262**

- D341,387 S * 11/1993 Koneval D19/43
- 5,320,442 A * 6/1994 Yanagisawa et al. 401/34
- D410,673 S * 6/1999 Martin et al. D19/36
- 6,345,922 B2 * 2/2002 Tani 401/32
- 6,773,184 B2 * 8/2004 An 401/31

* cited by examiner

Primary Examiner—Martie K. Holtje
(74) *Attorney, Agent, or Firm*—Alan Kamrath; Nikolai & Mersereau, P.A.

(57) **CLAIM**

The ornamental design for a painting pen, as shown and described.

DESCRIPTION

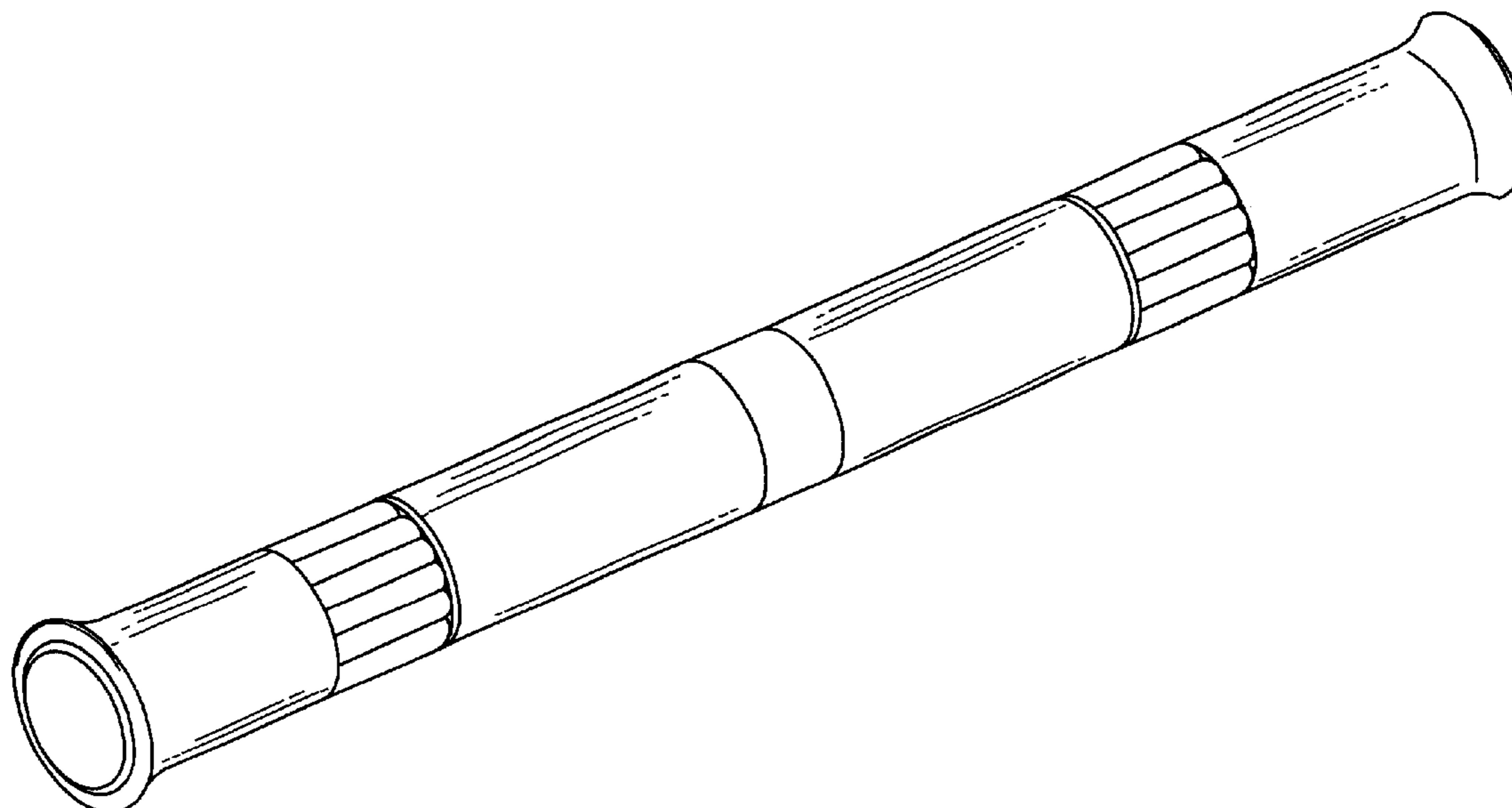
FIG. 1 is a perspective view of a painting pen showing my design;
FIG. 2 is an end elevational view thereof;
FIG. 3 is an end elevational view of the end opposite that shown in FIG. 2;
FIG. 4 is a right side elevational view thereof;
FIG. 5 is a left side elevational view thereof;
FIG. 6 is a front elevational view thereof; and,
FIG. 7 is a rear elevational view thereof.

1 Claim, 4 Drawing Sheets

(56) **References Cited**

U.S. PATENT DOCUMENTS

- 3,341,884 A * 9/1967 Pryor 401/17
- 4,509,875 A * 4/1985 Shintani 401/34
- D300,640 S * 4/1989 Coletta et al. D19/51
- D319,261 S * 8/1991 Lee D19/36
- D325,599 S * 4/1992 Poisson D19/49
- D330,910 S * 11/1992 Warburton D19/36



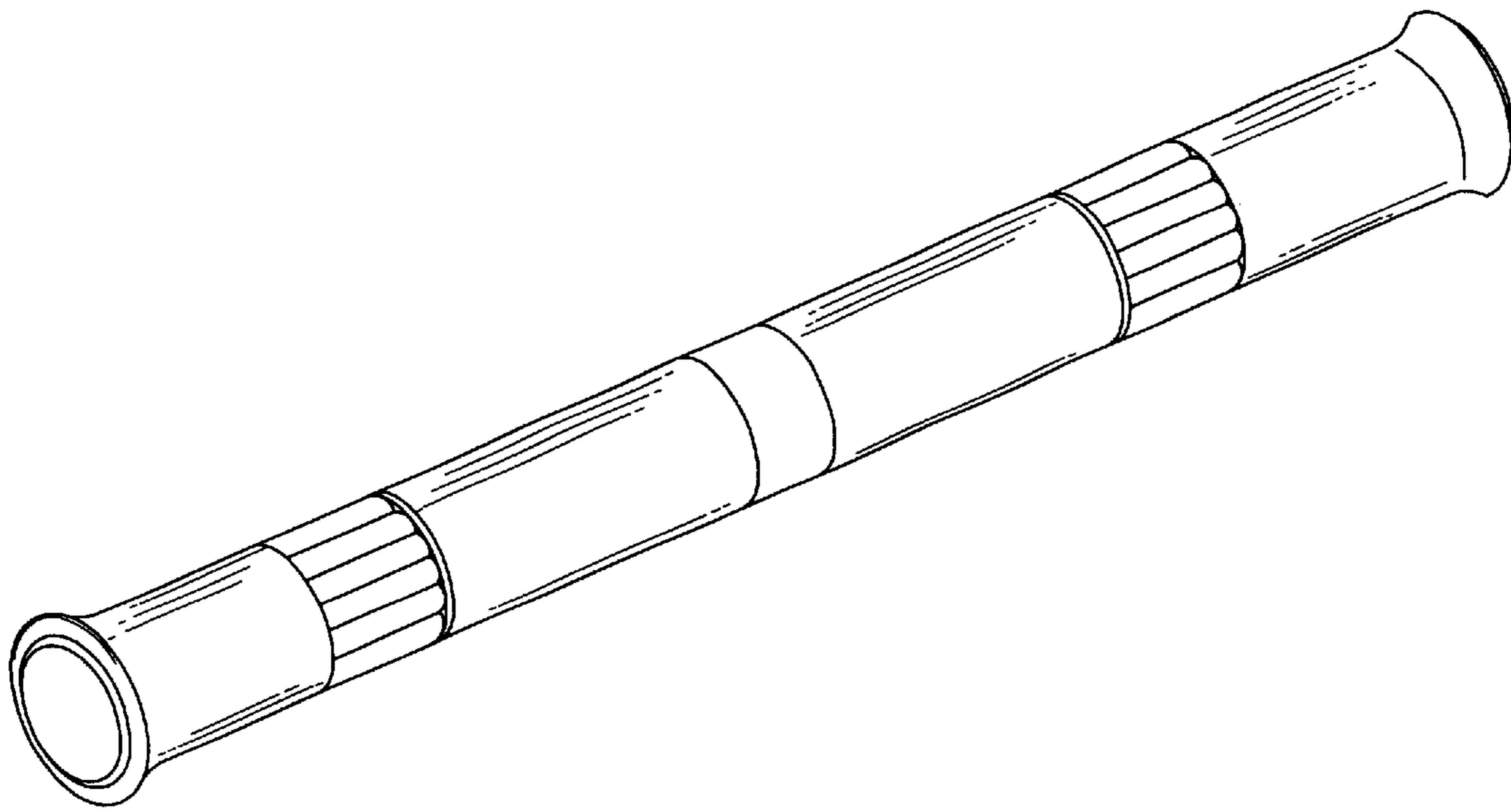


FIG. 1

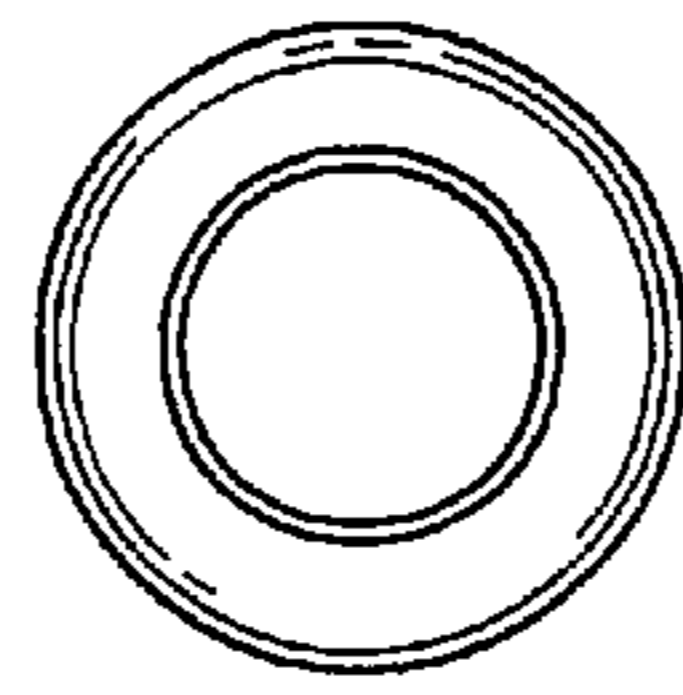


FIG. 2

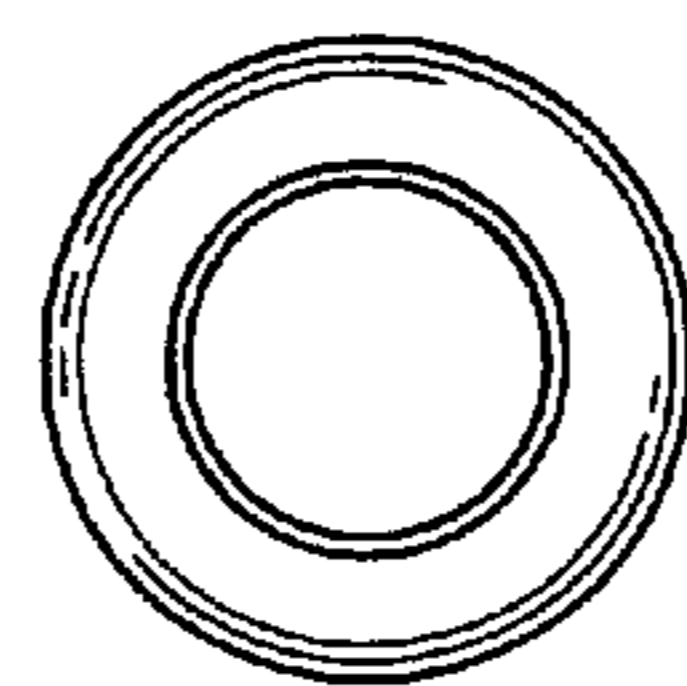


FIG. 3

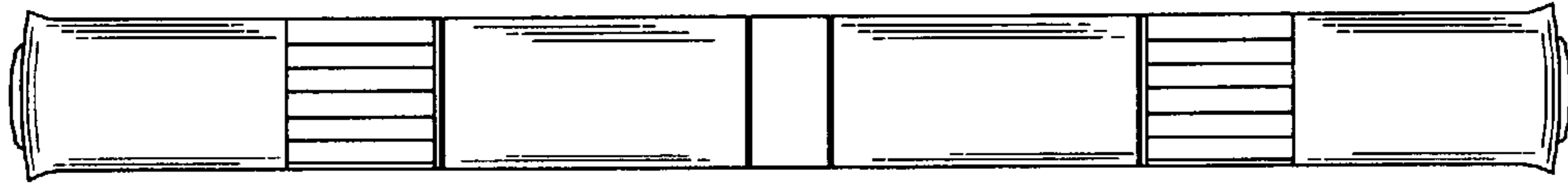


FIG. 4

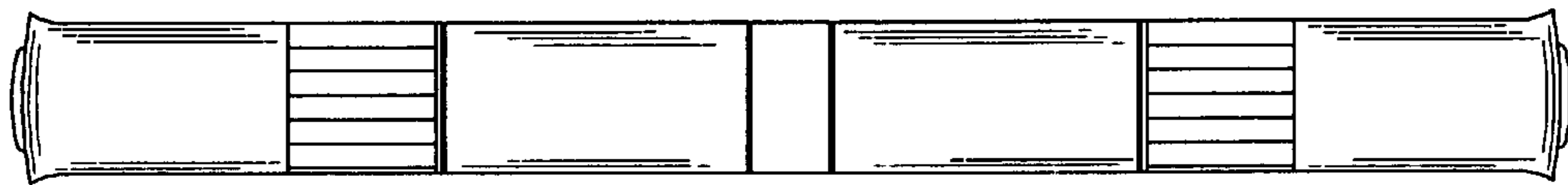


FIG. 5

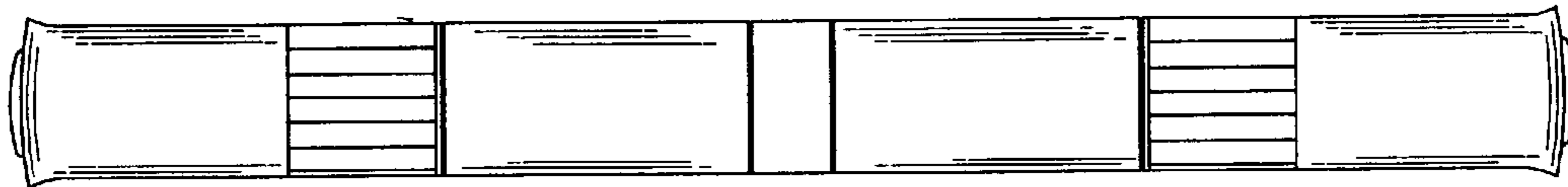


FIG. 6

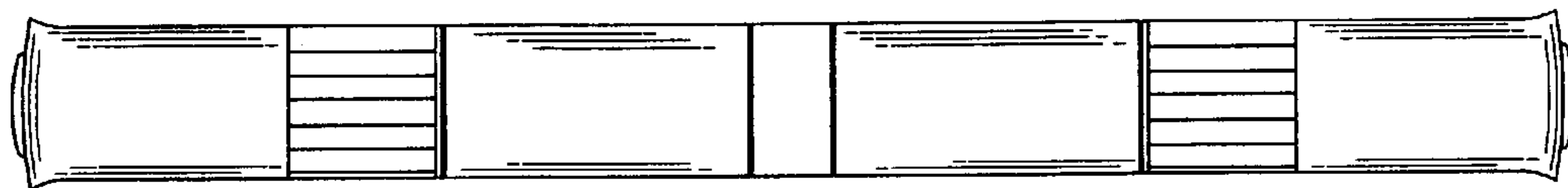


FIG. 7