

US00D506219S

(12) **United States Design Patent**  
**Eason**

(10) **Patent No.:** **US D506,219 S**  
(45) **Date of Patent:** **\*\* Jun. 14, 2005**

(54) **BASE ASSEMBLY**

(75) Inventor: **Donald H. Eason**, Fort Collins, CO  
(US)

(73) Assignee: **Ultimate Support Systems, Inc.**, Fort  
Collins, CO (US)

(\*\*) Term: **14 Years**

(21) Appl. No.: **29/174,223**

(22) Filed: **Jan. 14, 2003**

(51) **LOC (8) Cl.** ..... **16-05**

(52) **U.S. Cl.** ..... **D16/244**

(58) **Field of Search** ..... D6/431, 462; D16/242,  
D16/244, 245; 248/162.1, 166, 168, 169-171,  
187.1, 188.6; 352/243; 396/419, 428

(56) **References Cited**

**U.S. PATENT DOCUMENTS**

1,894,695 A	1/1933	Ley	
D160,679 S	* 10/1950	Wilcox et al.	D16/245
2,709,560 A	5/1955	Resk	
2,845,244 A	7/1958	Prokop	
D219,713 S	* 1/1971	Thompson	D16/244
4,047,684 A	9/1977	Kobayashi	
4,215,839 A	8/1980	Gibran	
4,988,064 A	1/1991	Hoshino	
5,222,705 A	6/1993	Gibran et al.	
5,340,066 A	* 8/1994	Ditch	248/170
5,876,011 A	* 3/1999	Blasing	248/170

5,913,269 A	6/1999	Franssen et al.	
D415,805 S	* 10/1999	Wygonik	D16/244
6,007,032 A	12/1999	Kuo	
D421,447 S	* 3/2000	Eason et al.	D16/244
6,109,573 A	* 8/2000	Liao et al.	248/170
6,164,843 A	* 12/2000	Battocchio	396/419
6,179,266 B1	1/2001	Hutten	

**OTHER PUBLICATIONS**

Ultimate / K&M 2002 K&M Product Catalog, pp 4-6.  
Ultimate Support Systems, Inc. Ultimate Product Catalog  
2002, pp 21, 22.

\* cited by examiner

*Primary Examiner*—Adir Aronovich

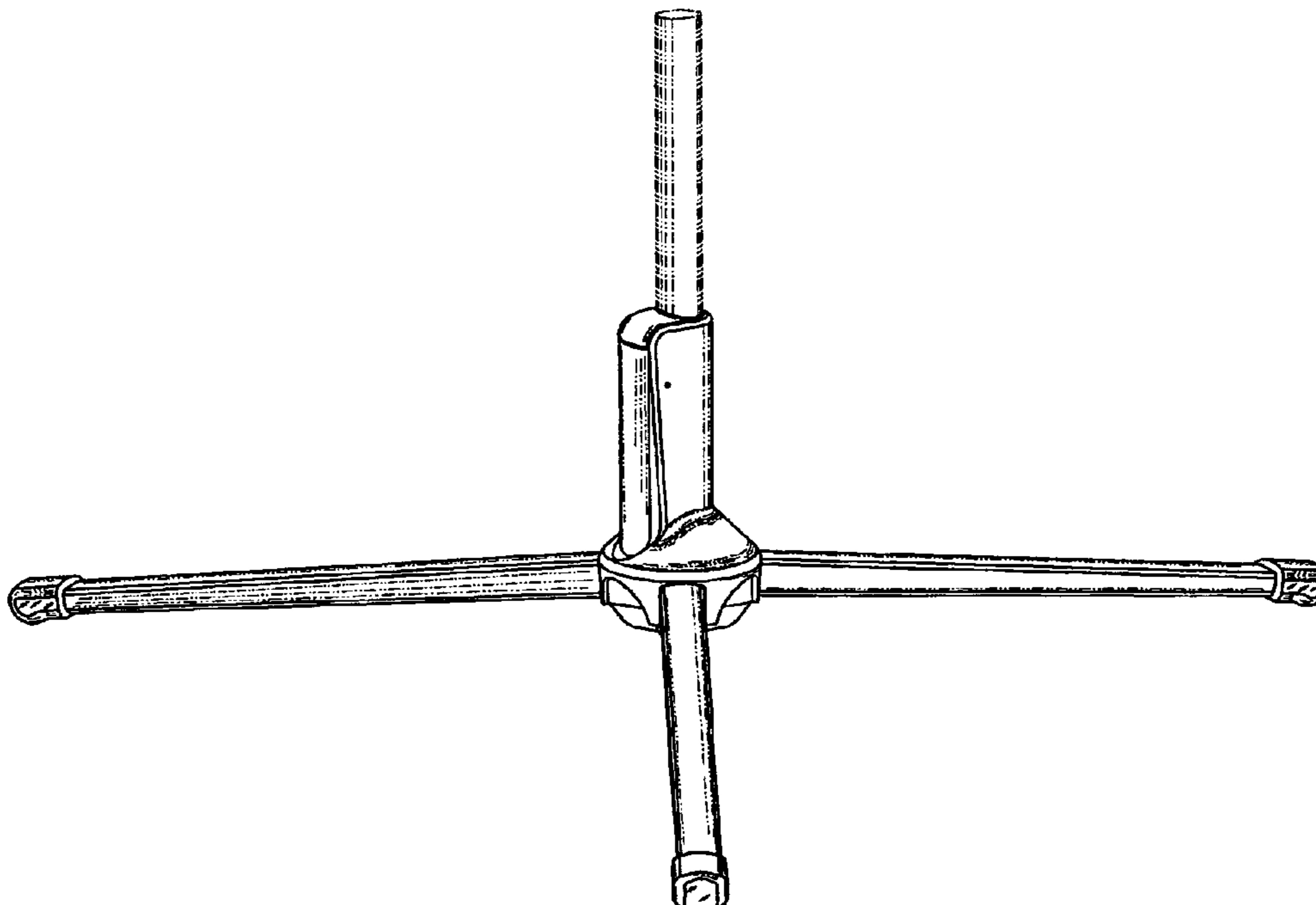
(57) **CLAIM**

The ornamental design for a base assembly, as shown and  
described.

**DESCRIPTION**

FIG. 1 is a front perspective view of the base assembly  
showing my new design;  
FIG. 2 is a back elevational view thereof;  
FIG. 3 is a right side elevational view of the base assembly;  
FIG. 4 is a left side elevational view thereof;  
FIG. 5 is a front elevational view of the base assembly;  
FIG. 6 is a top elevation view of the base assembly; and,  
FIG. 7 is a bottom elevational view thereof.

**1 Claim, 7 Drawing Sheets**



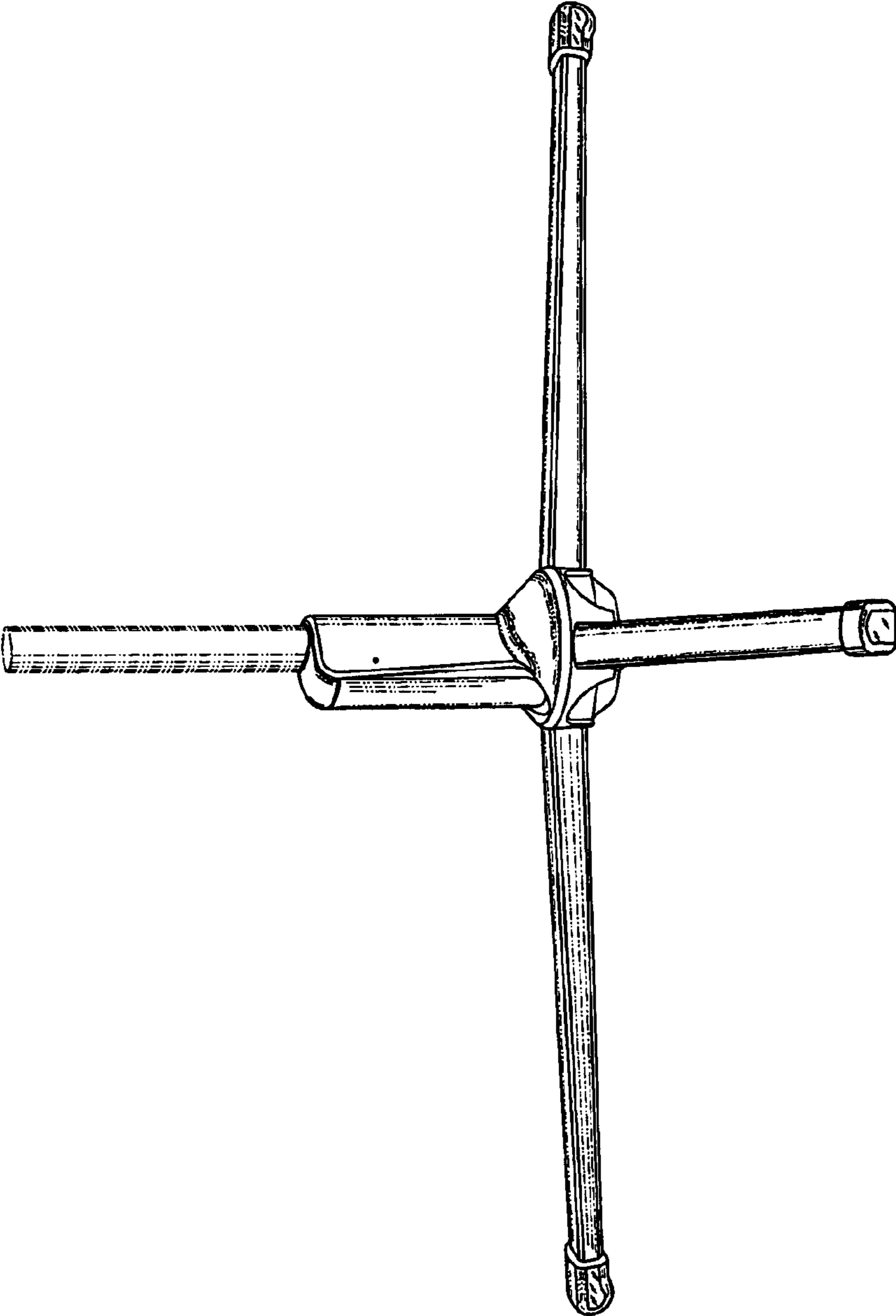


Fig. 1

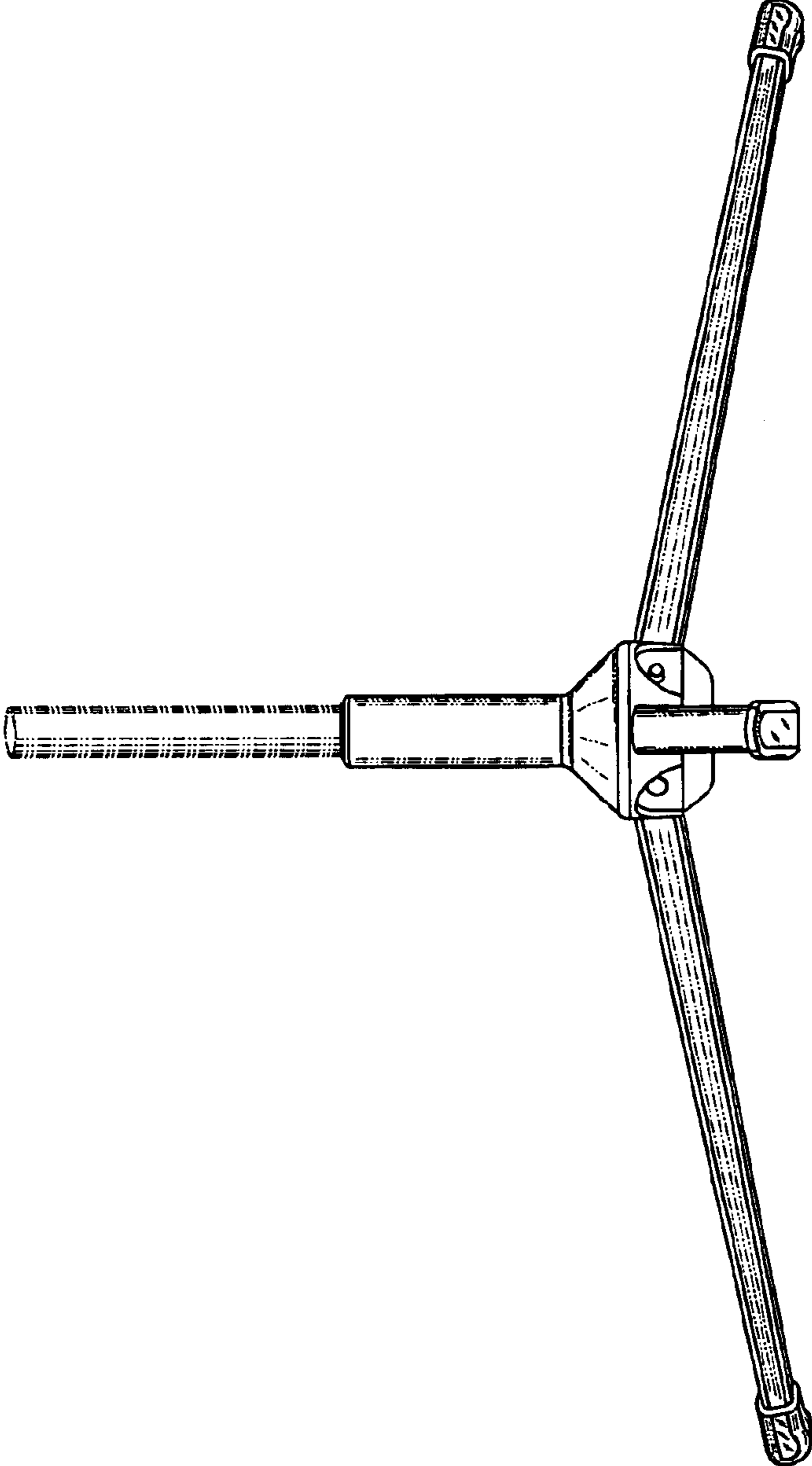


Fig. 2

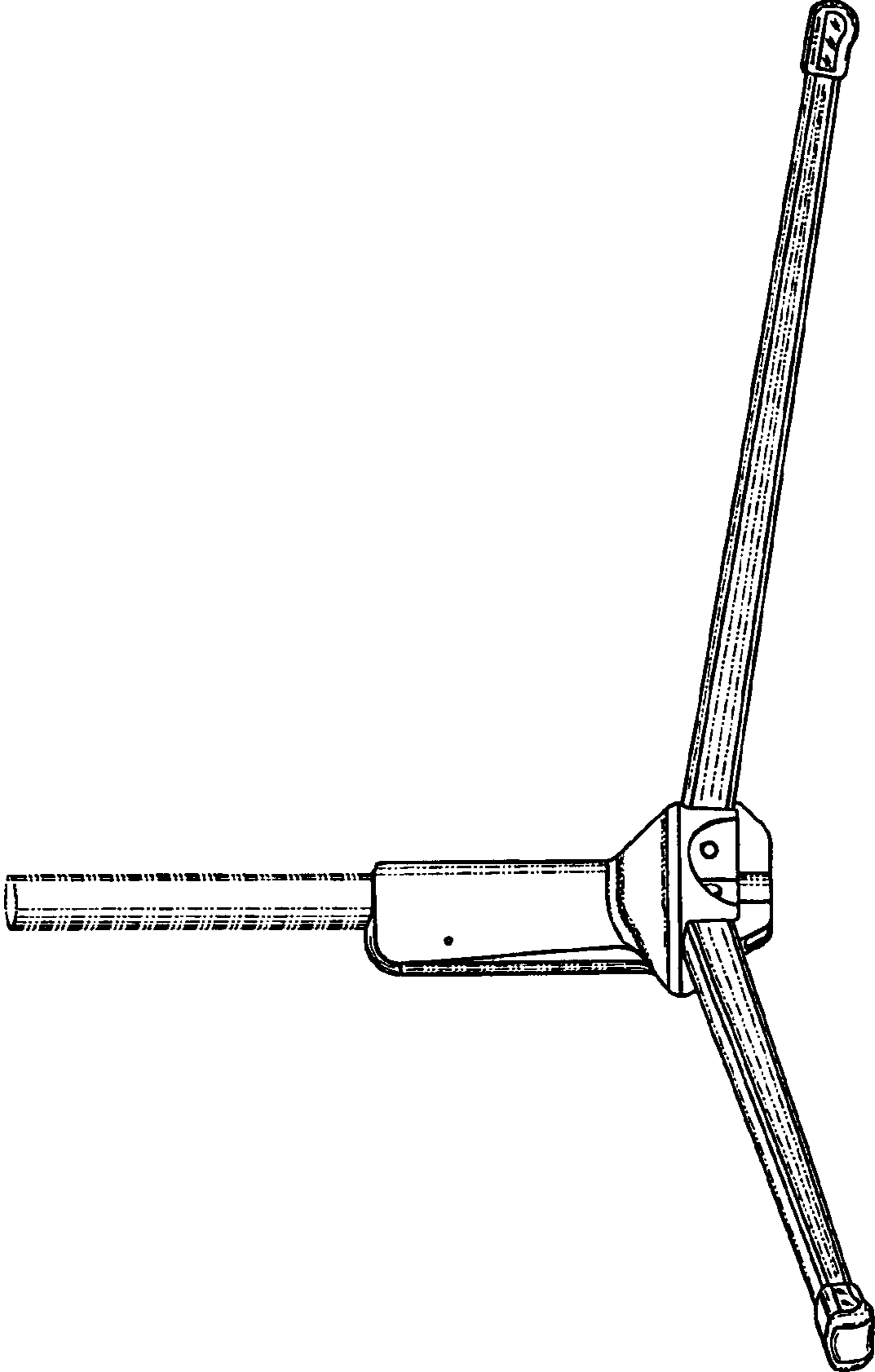


Fig. 3

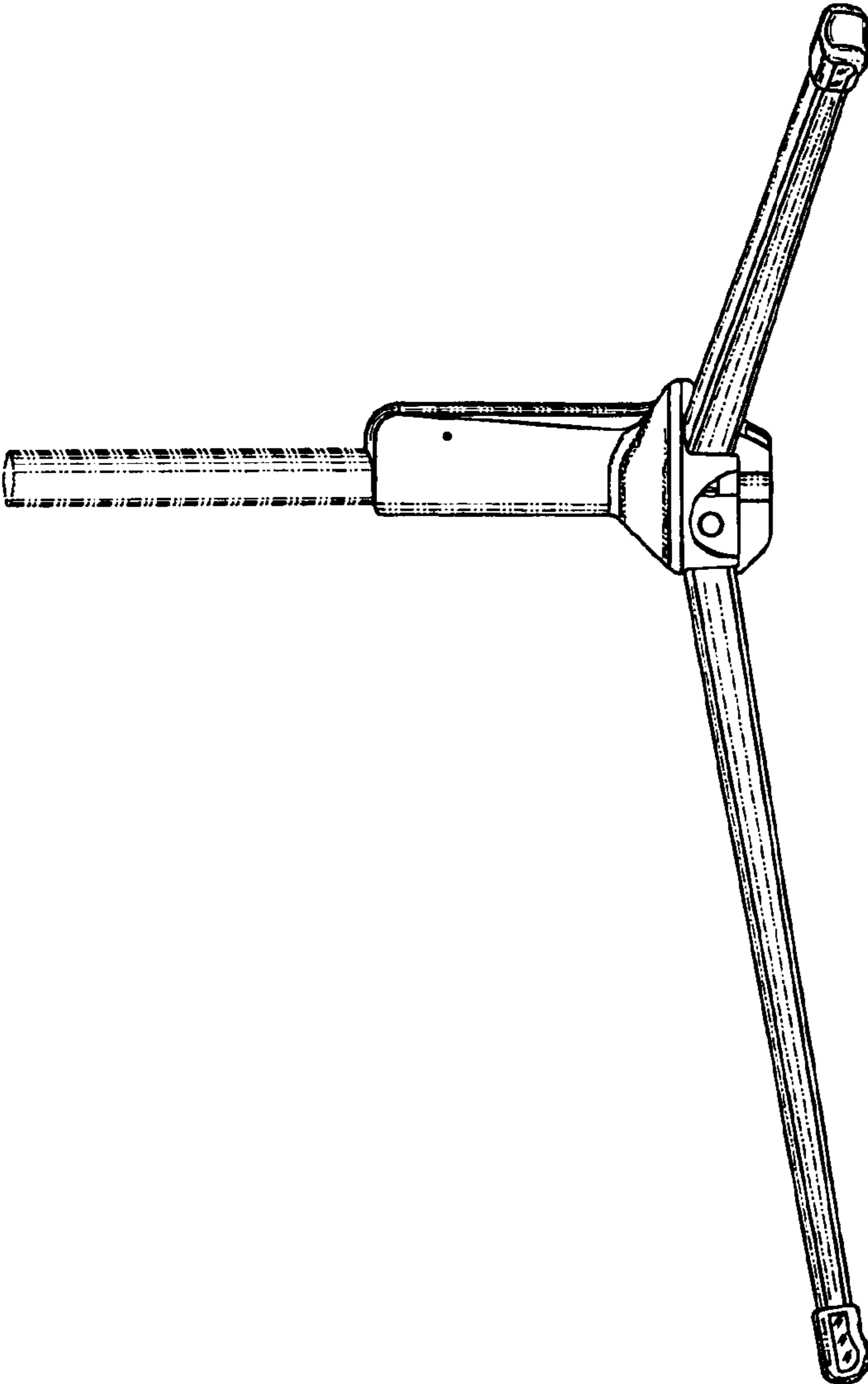


Fig. 4

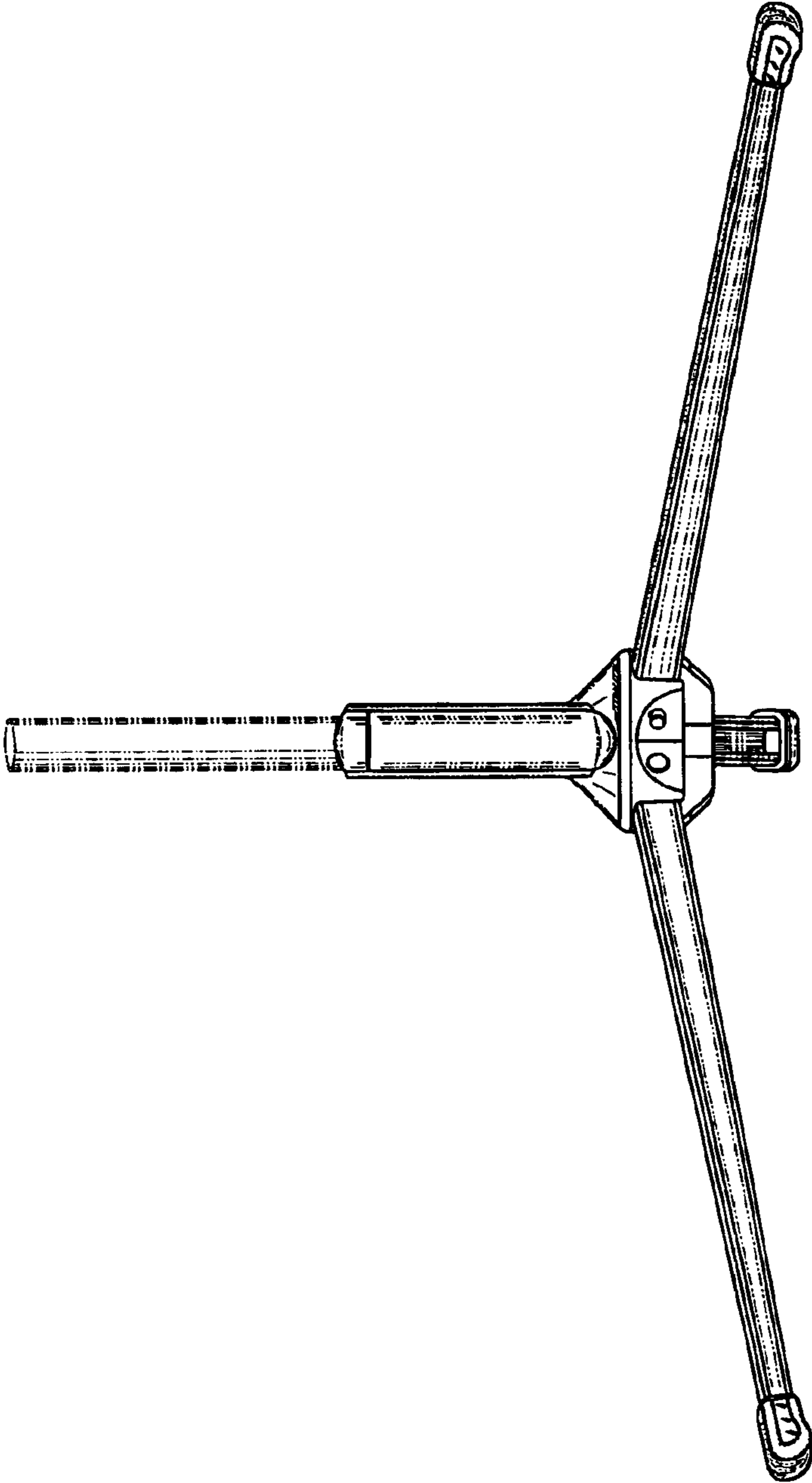


Fig. 5

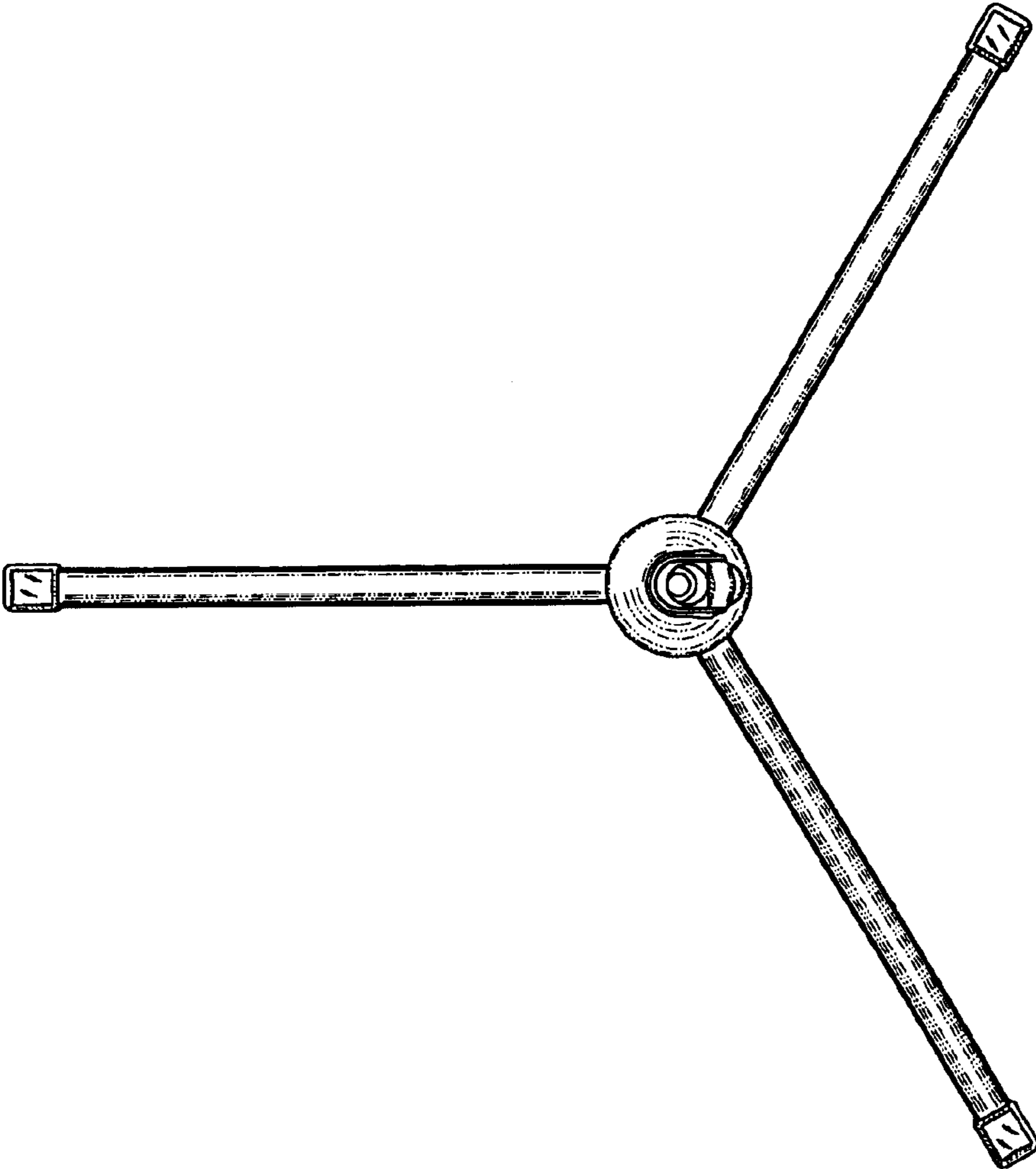


Fig. 6

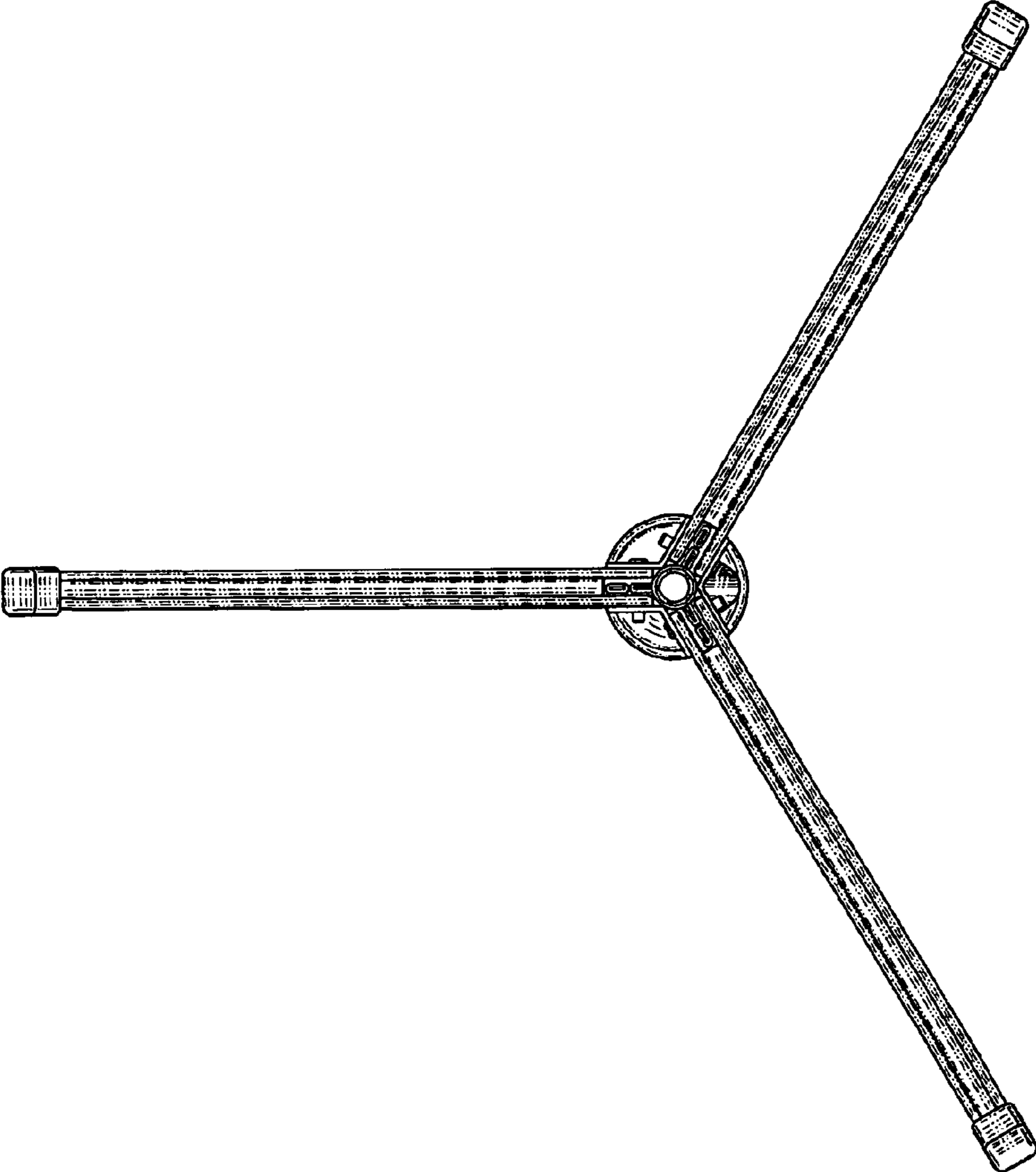


Fig. 7