

US00D506218S

(12) **United States Design Patent**
Pininfarina

(10) **Patent No.:** **US D506,218 S**

(45) **Date of Patent:** **** Jun. 14, 2005**

(54) **ELECTRONIC PROJECTION SYSTEM**

D479,261 S * 9/2003 Kawasaki et al. D16/230
D492,338 S * 6/2004 Ooshima D16/230
6,793,346 B2 * 9/2004 Nakano et al. 353/119

(75) **Inventor:** **Paolo Pininfarina, Cambiano (IT)**

* cited by examiner

(73) **Assignee:** **3M Innovative Properties Company,**
St. Paul, MN (US)

Primary Examiner—Adir Aronovich

(**) **Term:** **14 Years**

(74) *Attorney, Agent, or Firm*—Gregg H. Rosenblatt; Yen
Tong Florczak

(21) **Appl. No.:** **29/203,049**

(57) **CLAIM**

(22) **Filed:** **Apr. 8, 2004**

The ornamental design for an electronic projection system,
as shown and described.

(30) **Foreign Application Priority Data**

Oct. 30, 2003 (EM) 92903

DESCRIPTION

(51) **LOC (8) Cl.** **16-02**

FIG. 1 is a front perspective view of the electronic projection
system;

(52) **U.S. Cl.** **D16/230; D16/225**

FIG. 2 is a front elevation view thereof;

(58) **Field of Search** D16/205, 208,

FIG. 3 is a rear elevation view thereof;

D16/221, 225, 229, 230, 231, 234, 235;

FIG. 4 is a top plan view thereof;

D21/514; 353/115, 119, 122

FIG. 5 is a bottom plan view thereof;

(56) **References Cited**

FIG. 6 is a left side elevaton view thereof; and,

U.S. PATENT DOCUMENTS

FIG. 7 is a right side elevation view thereof.

The portions of the article in broken lines are shown for
illustrative purposes only and form no part of the claimed
design.

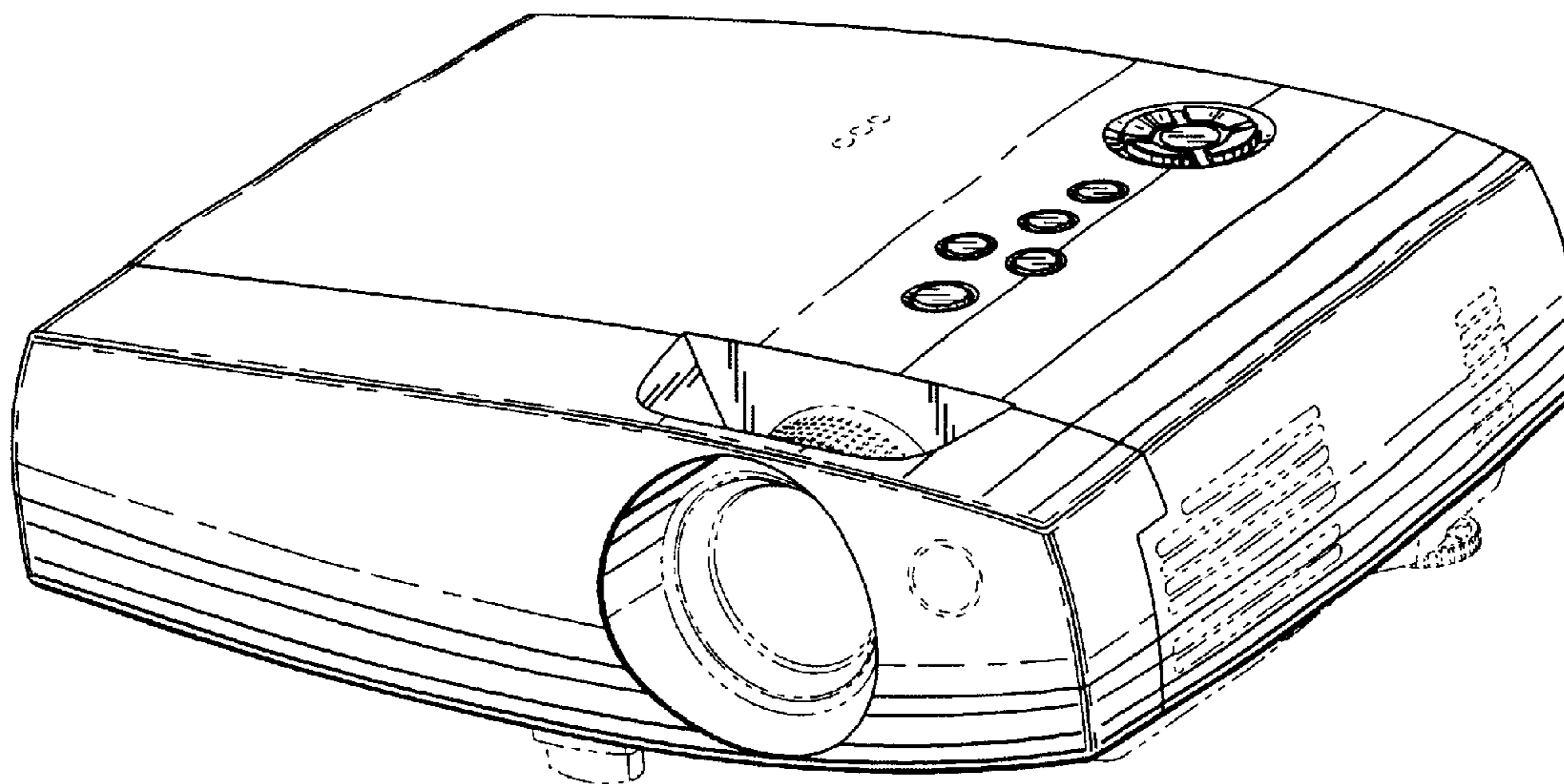
D449,060 S * 10/2001 Saeki et al. D16/230

D450,076 S * 11/2001 Fujimaki D16/230

D470,525 S * 2/2003 Nakayama et al. D16/231

D474,799 S * 5/2003 Kawasaki et al. D16/230

1 Claim, 3 Drawing Sheets



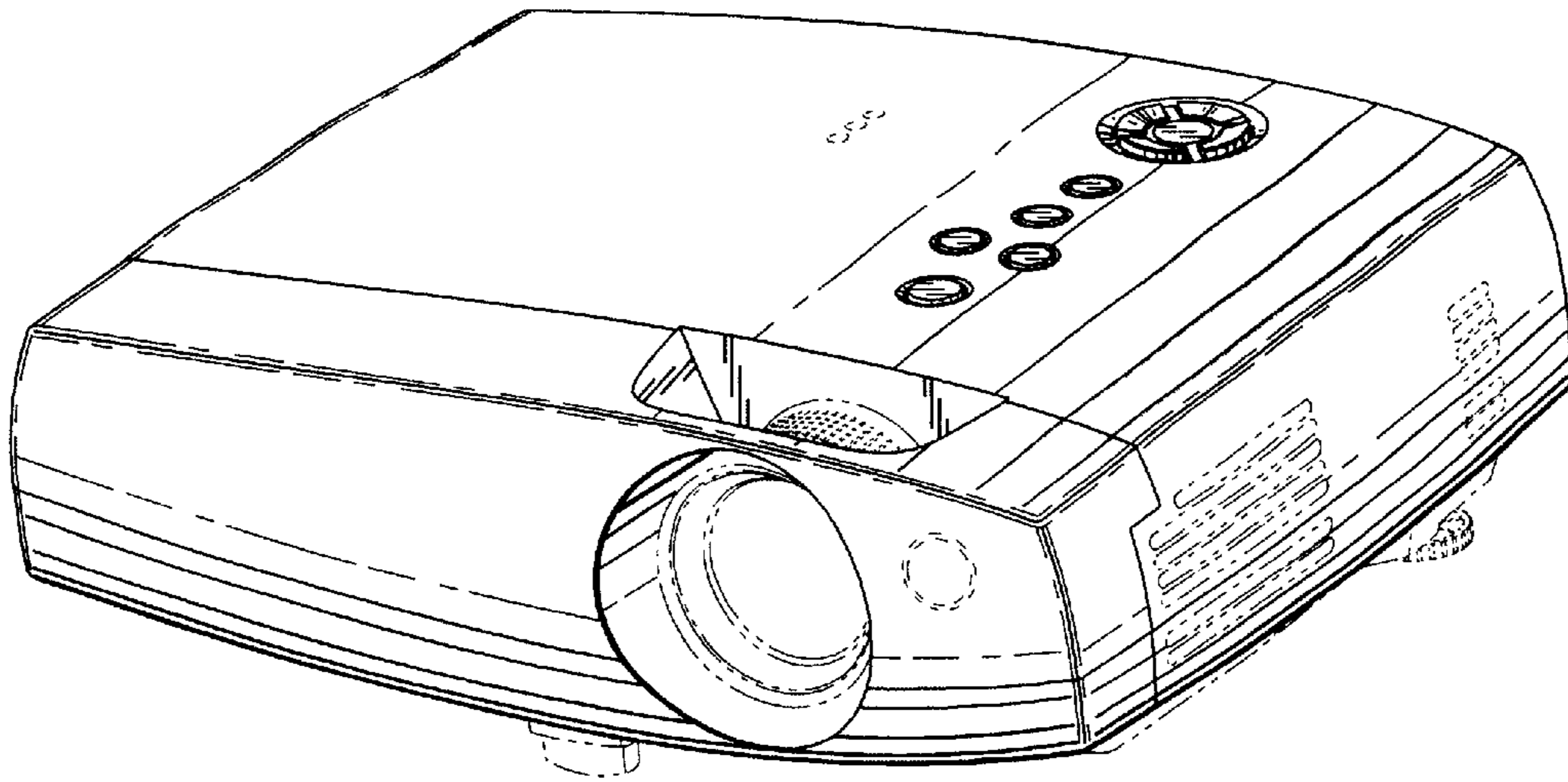


Fig. 1

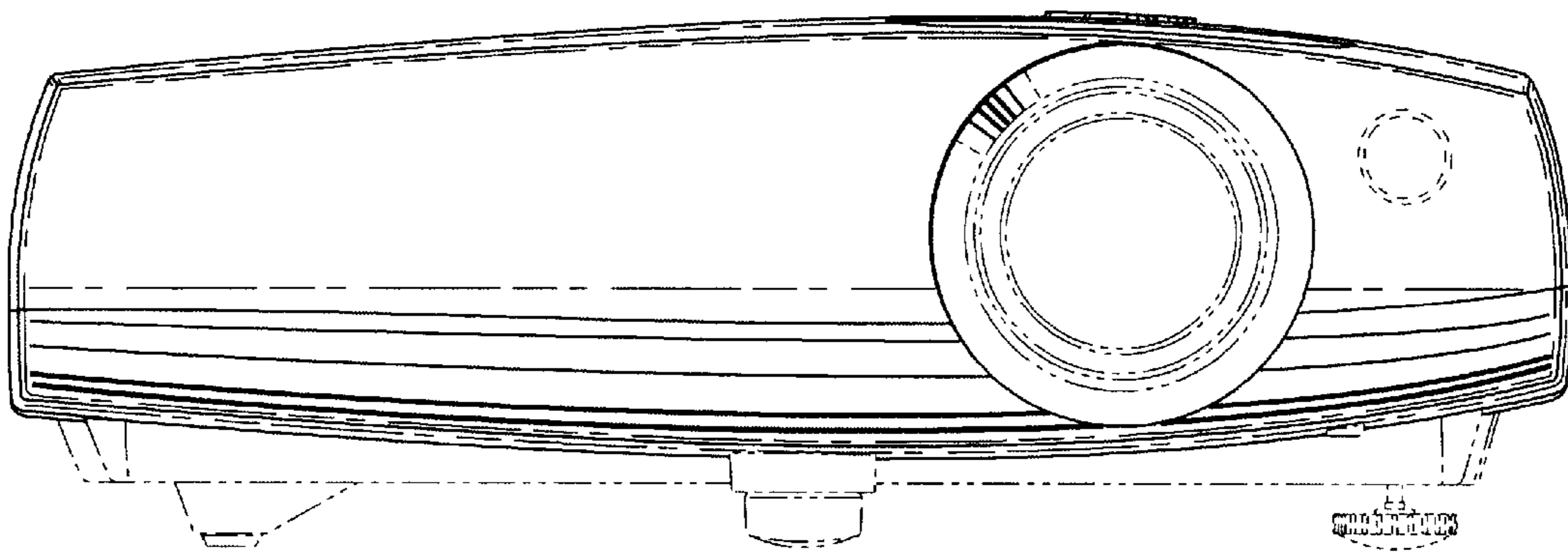


Fig. 2

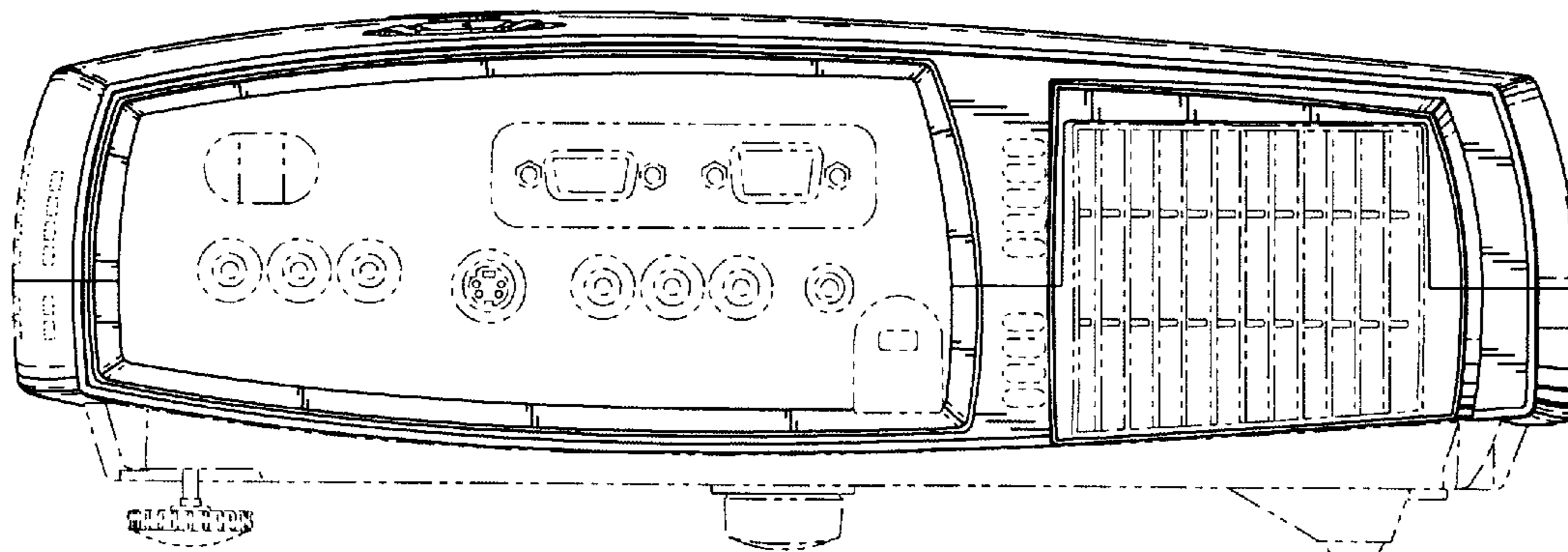


Fig. 3

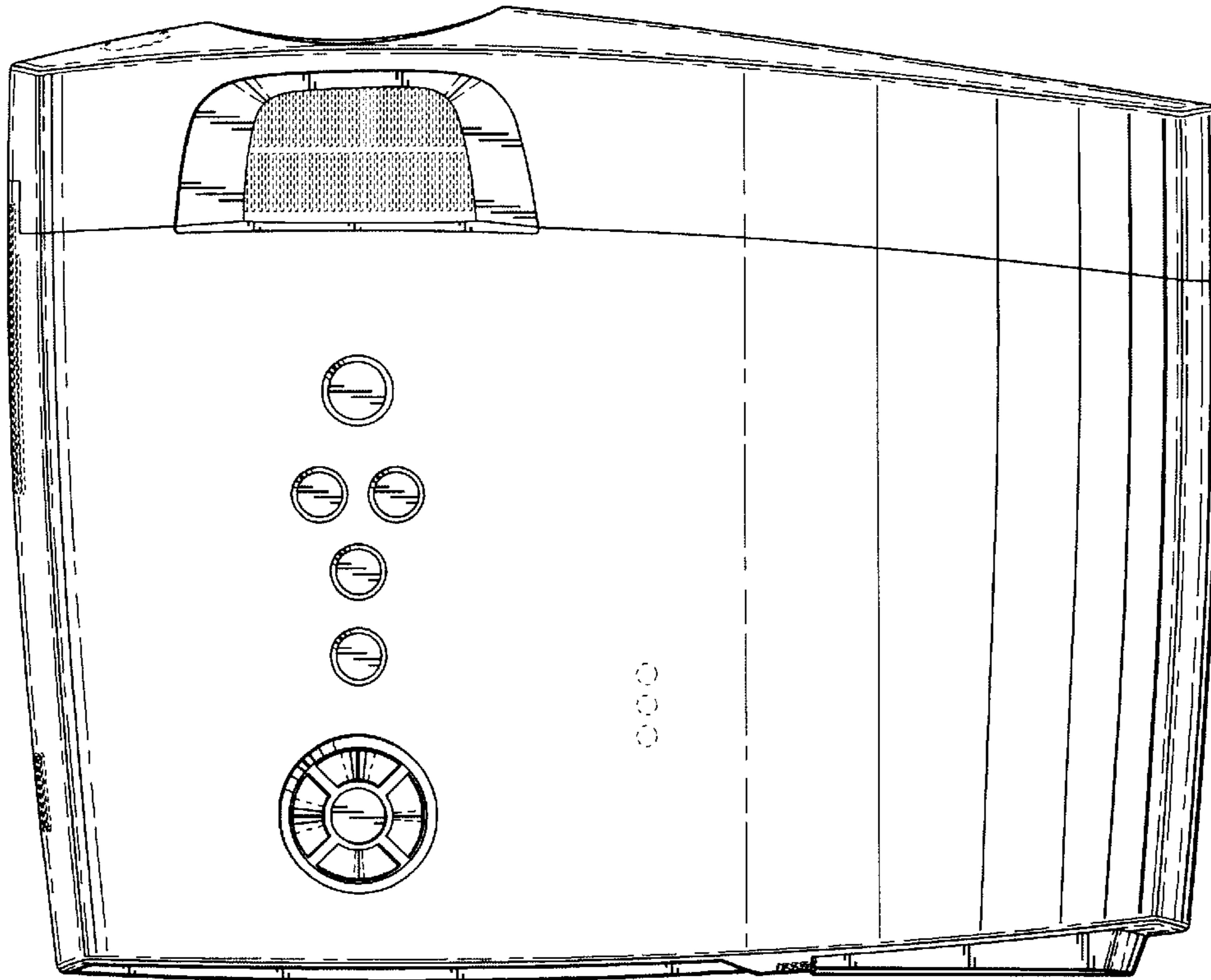


Fig. 4

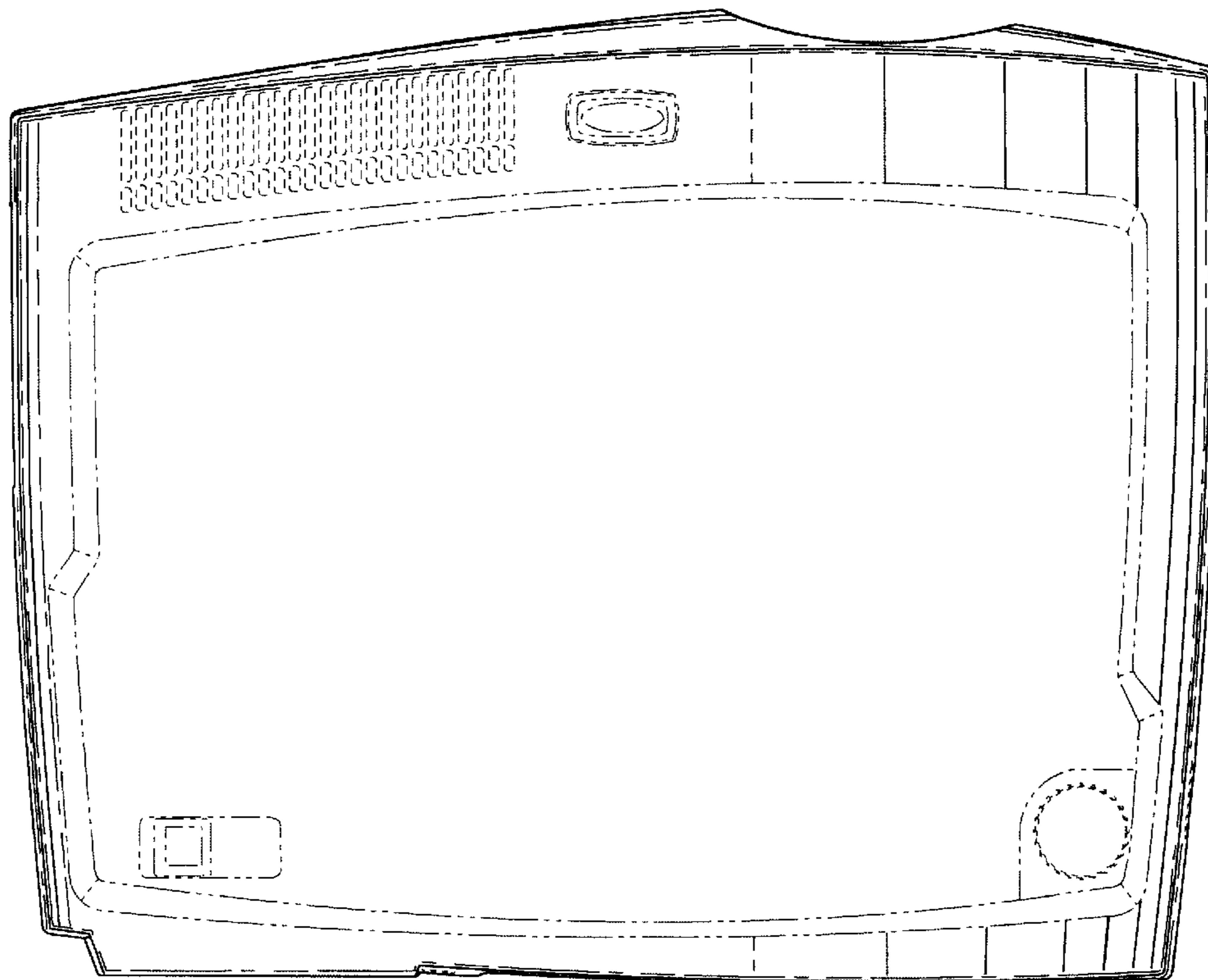


Fig. 5

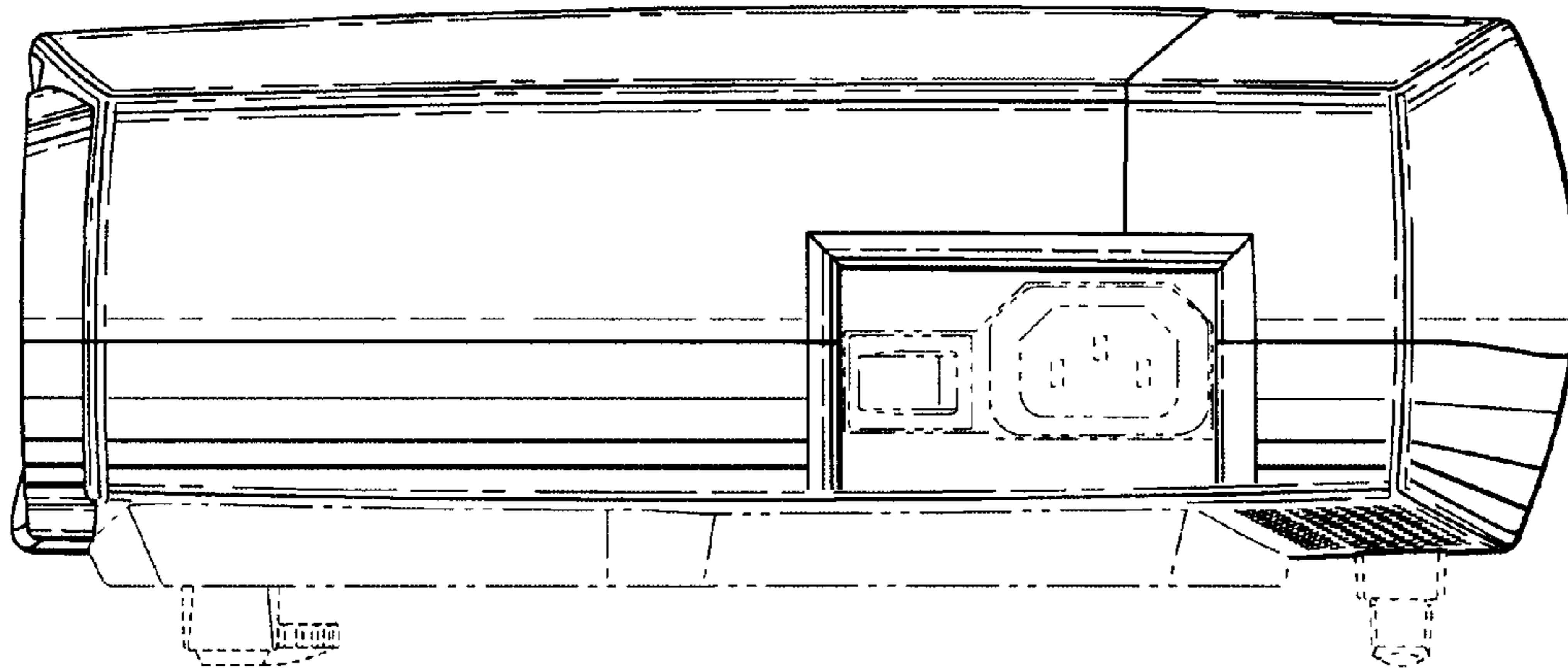


Fig. 6

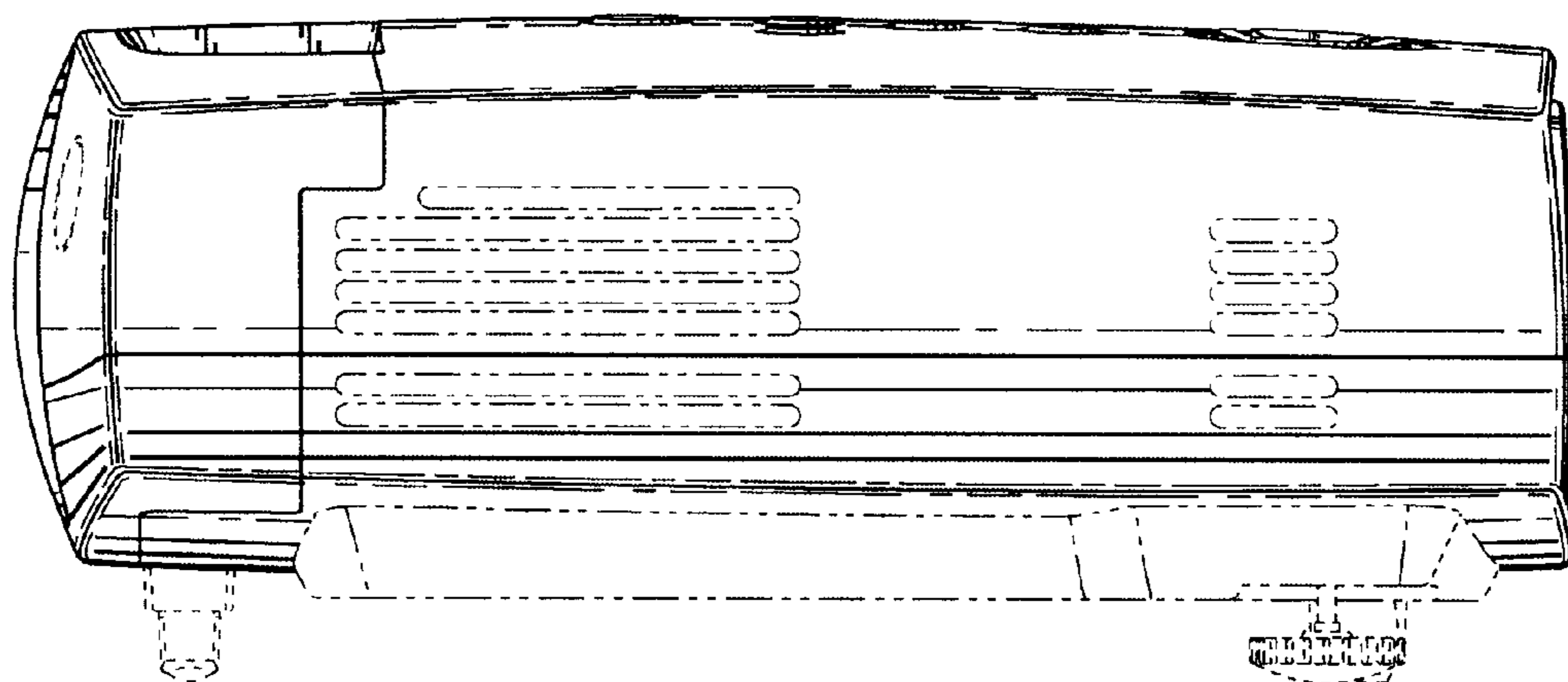


Fig. 7