

US00D506213S

(12) **United States Design Patent**
Kuroki

(10) **Patent No.:** **US D506,213 S**
(45) **Date of Patent:** **** Jun. 14, 2005**

- (54) **SEWING MACHINE**
- (75) **Inventor:** **Nobufusa Kuroki, Tokyo (JP)**
- (73) **Assignee:** **Janome Sewing Machine Company Limited, Tokyo (JP)**
- (**) **Term:** **14 Years**
- (21) **Appl. No.:** **29/200,391**
- (22) **Filed:** **Feb. 27, 2004**
- (30) **Foreign Application Priority Data**
Aug. 29, 2003 (JP) 2003-025180
- (51) **LOC (8) Cl.** **15-06**
- (52) **U.S. Cl.** **D15/69**
- (58) **Field of Search** D15/66, 69; 112/258-261,
112/63, 217.1-217.4, 444

- D200,391 S * 2/1965 Baratelli D16/316
- D321,353 S * 11/1991 Eguchi et al. D15/69
- D482,703 S * 11/2003 Kuroki D15/69
- D492,775 S * 7/2004 Doelling et al. D24/133

* cited by examiner

Primary Examiner—Mitchell Siegel
(74) *Attorney, Agent, or Firm*—Jacobson Holman PLLC

(57) **CLAIM**

The ornamental design for a sewing machine, as shown and described.

DESCRIPTION

FIG. 1 is a left front perspective view showing my new design for a sewing machine, FIG. 2 is a right front perspective view thereof; FIG. 3 is a top view thereof; FIG. 4 is a bottom view thereof; FIG. 5 is a front view thereof; FIG. 6 is a rear view thereof; FIG. 7 is a left side view thereof; and, FIG. 8 is a right side view thereof.

(56) **References Cited**

U.S. PATENT DOCUMENTS

- D195,795 S * 7/1963 Rellis D12/333
- D195,797 S * 7/1963 Sixten D15/4
- D200,390 S * 2/1965 Staat et al. D23/238

1 Claim, 4 Drawing Sheets

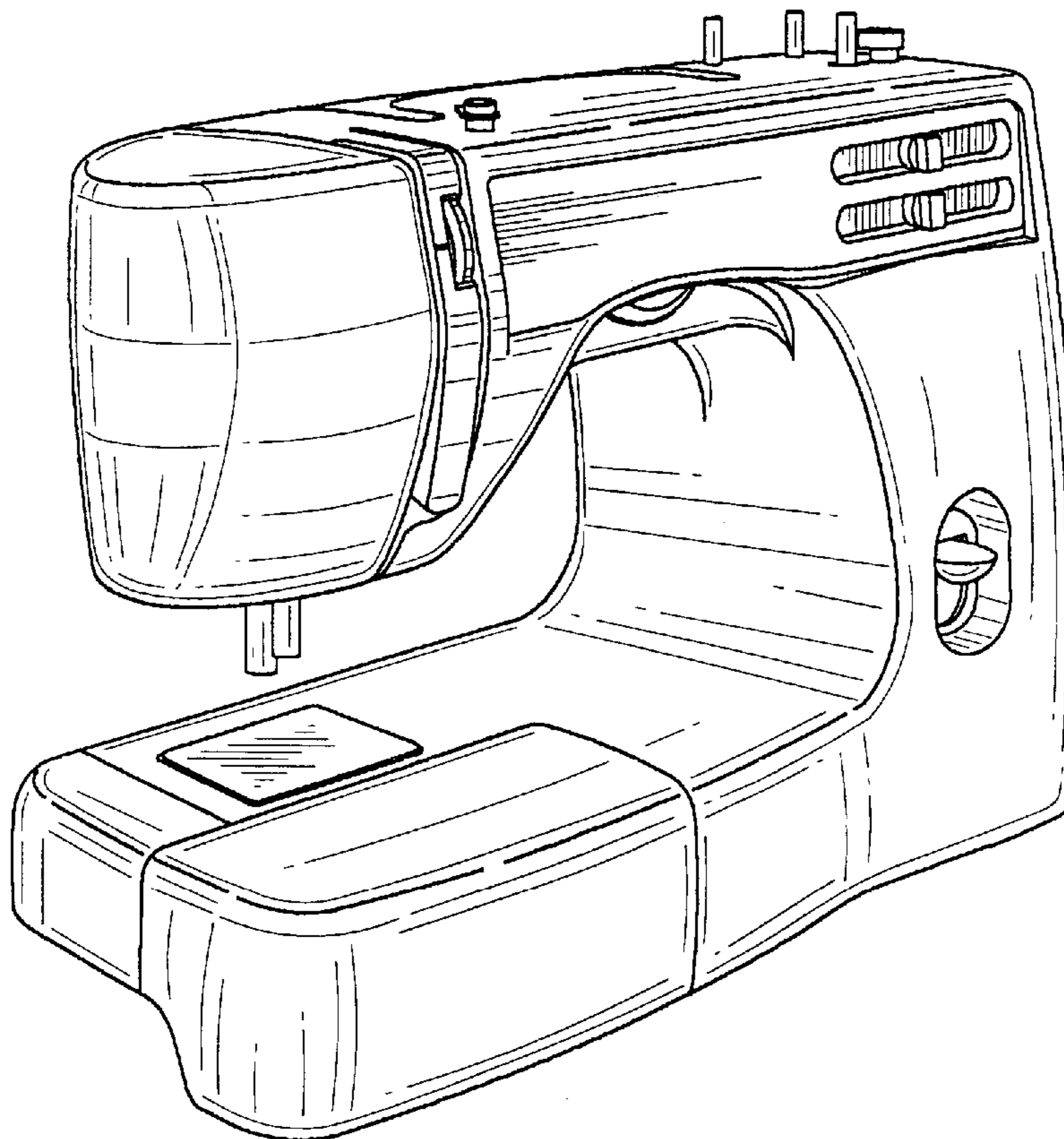


FIG. 1

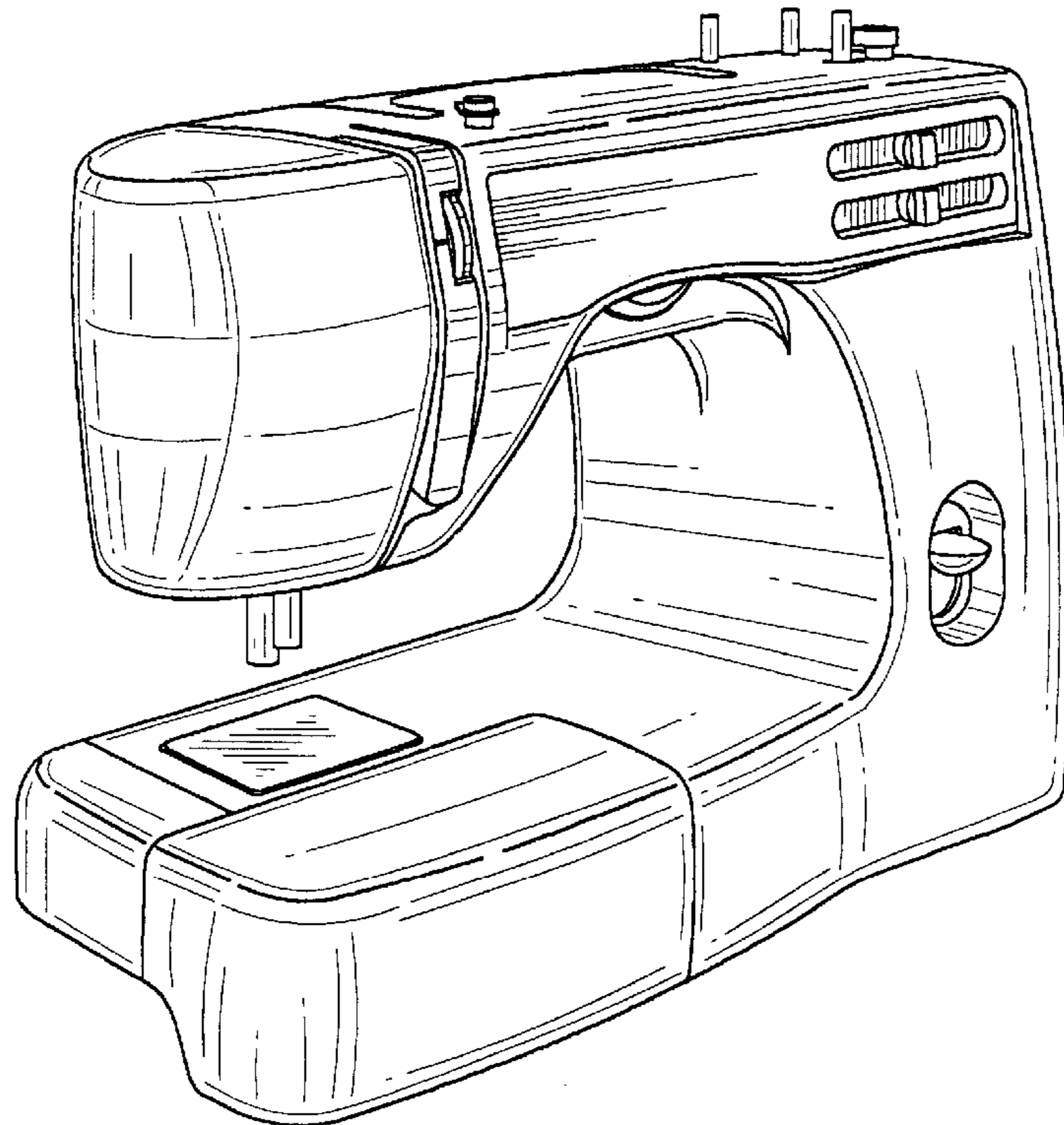


FIG. 2

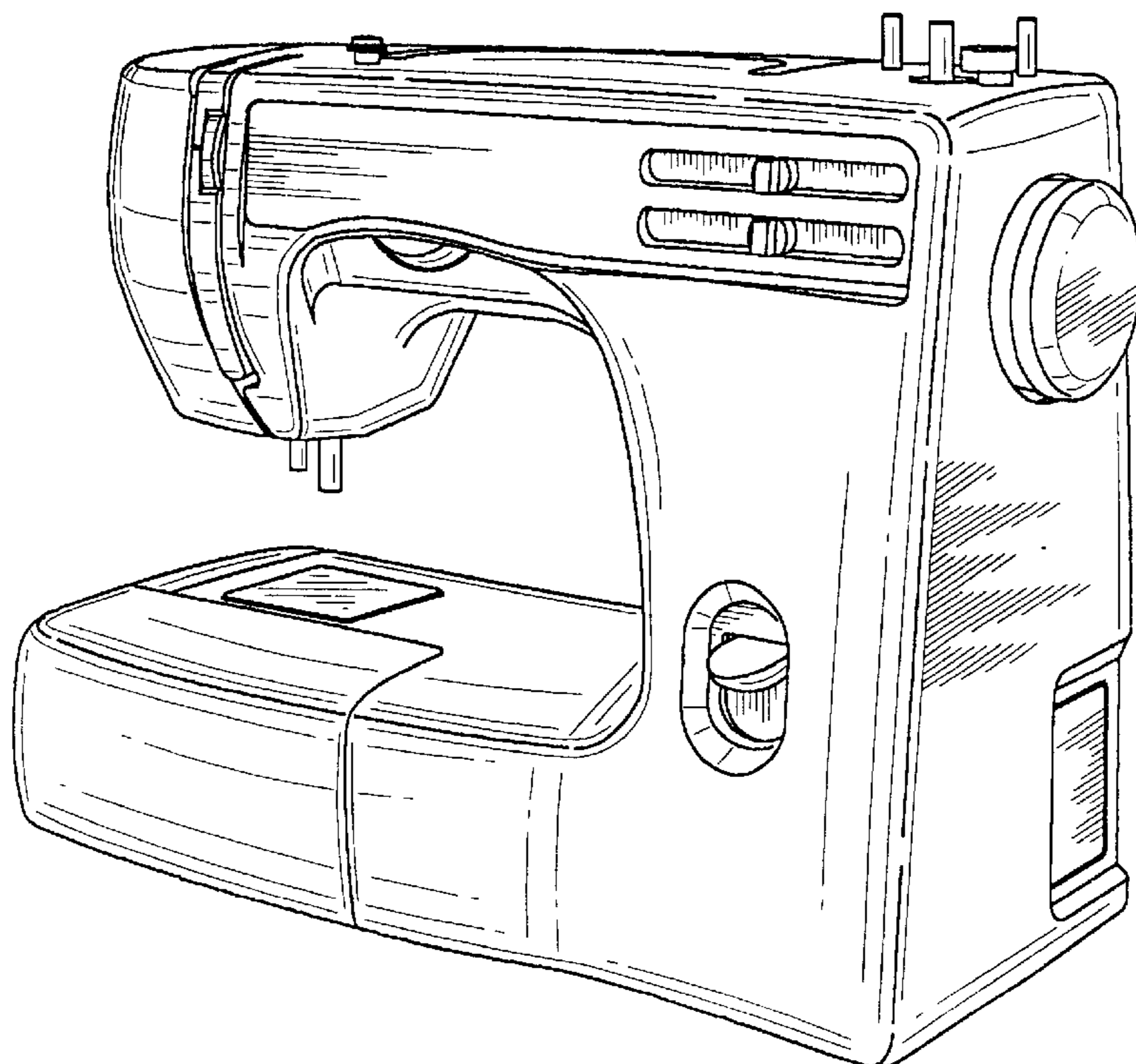


FIG. 3

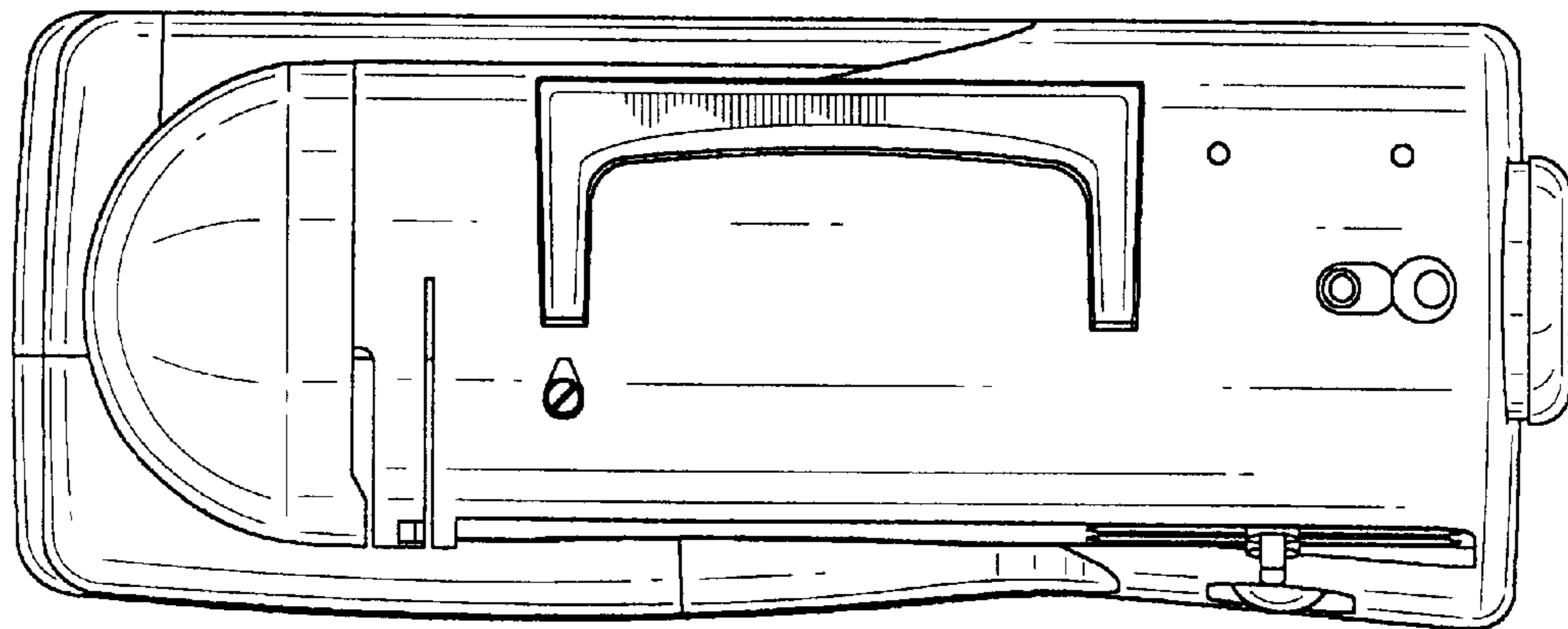


FIG. 4

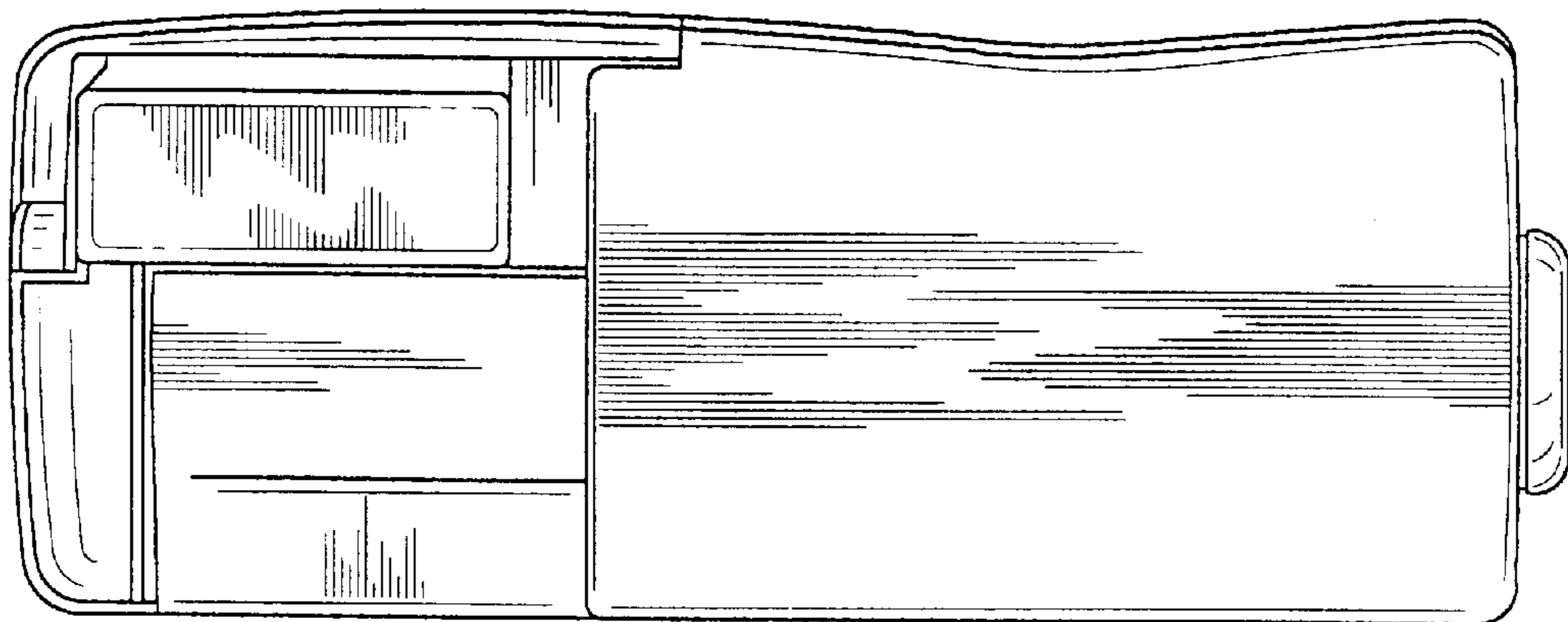


FIG. 5

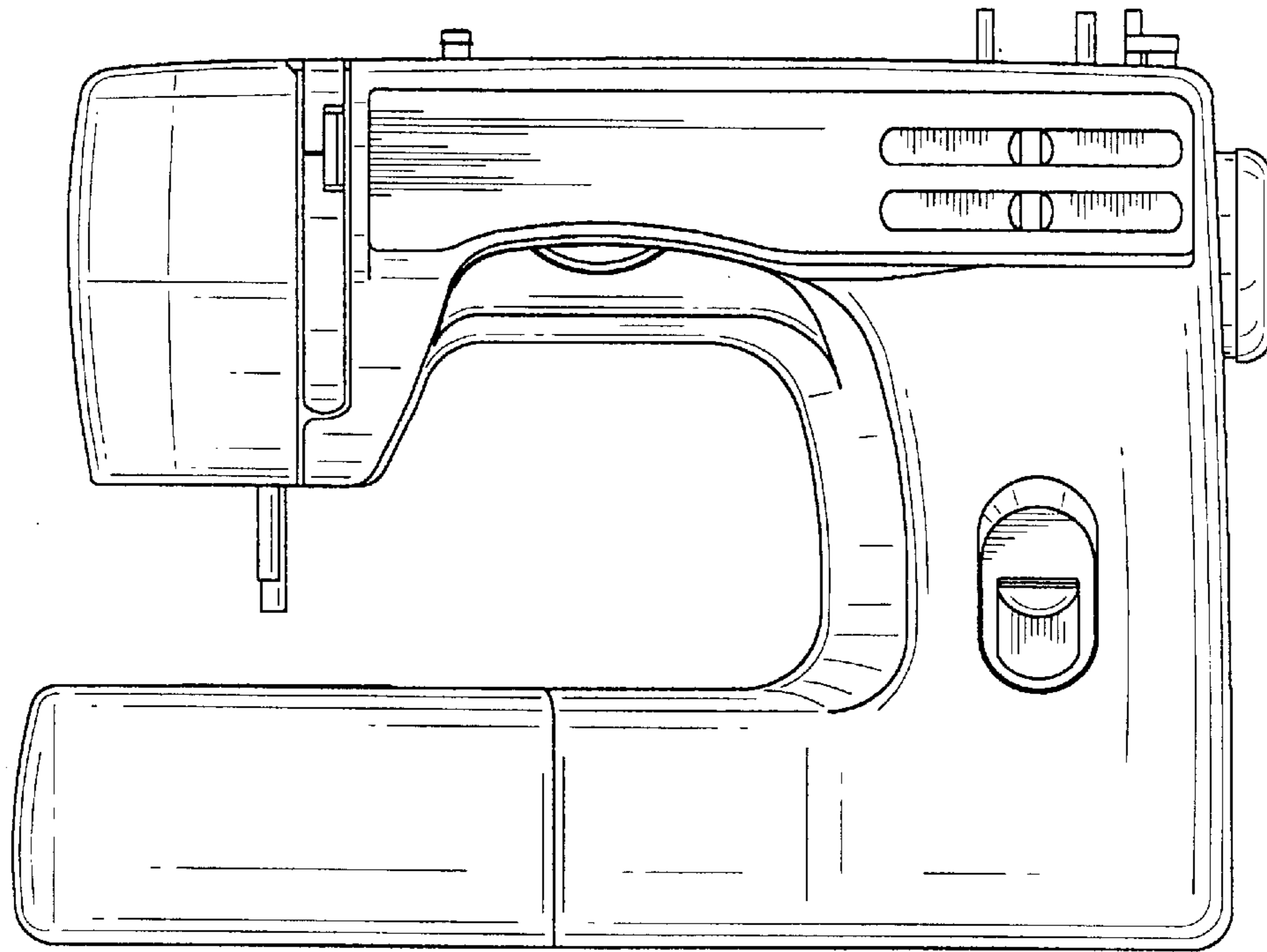


FIG. 6

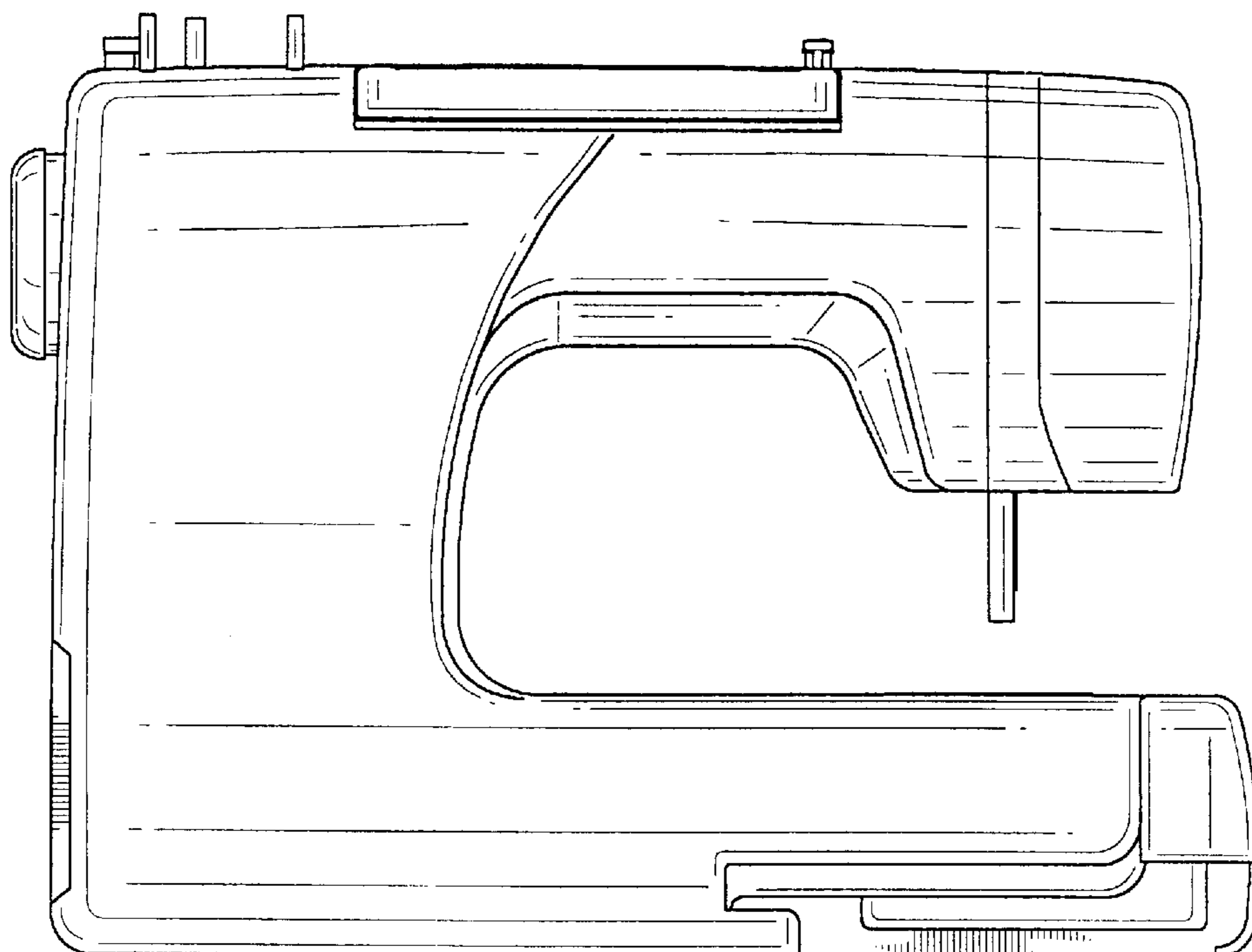


FIG. 7

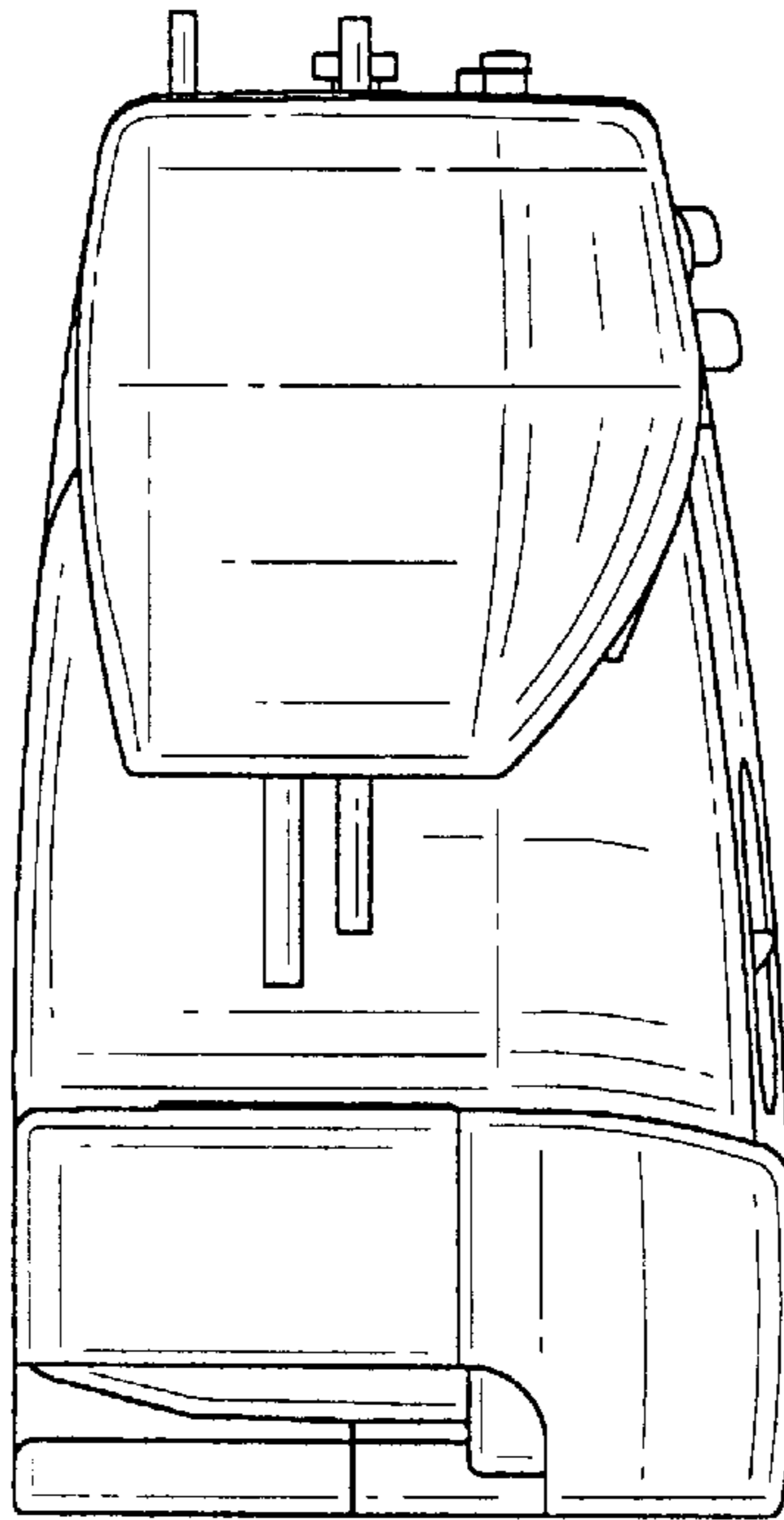


FIG. 8

