

US00D506212S

(12) **United States Design Patent**
Kuroki

(10) **Patent No.:** **US D506,212 S**
(45) **Date of Patent:** **** Jun. 14, 2005**

(54) **SEWING MACHINE**
(75) **Inventor:** **Nobufusa Kuroki, Tokyo (JP)**
(73) **Assignee:** **Janome Sewing Machine Company Limited, Tokyo (JP)**

D200,391 S * 2/1965 Baratelli D16/316
D285,571 S * 9/1986 Eguchi et al. D15/69
D332,102 S * 12/1992 Kato et al. D15/69
D347,847 S * 6/1994 Eguchi D15/69
D450,722 S * 11/2001 Kawaguchi D15/69

(**) **Term:** **14 Years**

* cited by examiner

(21) **Appl. No.:** **29/198,922**

Primary Examiner—Mitchell Siegel

(22) **Filed:** **Feb. 9, 2004**

(74) *Attorney, Agent, or Firm*—Jacobson Holman PLLC

(30) **Foreign Application Priority Data**

(57) **CLAIM**

Aug. 7, 2003 (JP) 2003-022971

The ornamental design for a sewing machine, as shown and described.

(51) **LOC (8) Cl.** **15-06**

DESCRIPTION

(52) **U.S. Cl.** **D15/69**

FIG. 1 is a left front perspective view showing my new design for a sewing machine,

(58) **Field of Search** D15/66, 69; 112/258–261,
112/63, 217.1–217.4, 444

FIG. 2 is a right front perspective view thereof;

FIG. 3 is a top view thereof;

FIG. 4 is a bottom view thereof;

FIG. 5 is a front view thereof;

FIG. 6 is a rear view thereof;

FIG. 7 is a left side view thereof; and,

FIG. 8 is a right side view thereof.

(56) **References Cited**

U.S. PATENT DOCUMENTS

D195,795 S * 7/1963 Rellis D12/333
D195,797 S * 7/1963 Sixten D15/4
D200,390 S * 2/1965 Staat et al. D23/238

1 Claim, 4 Drawing Sheets

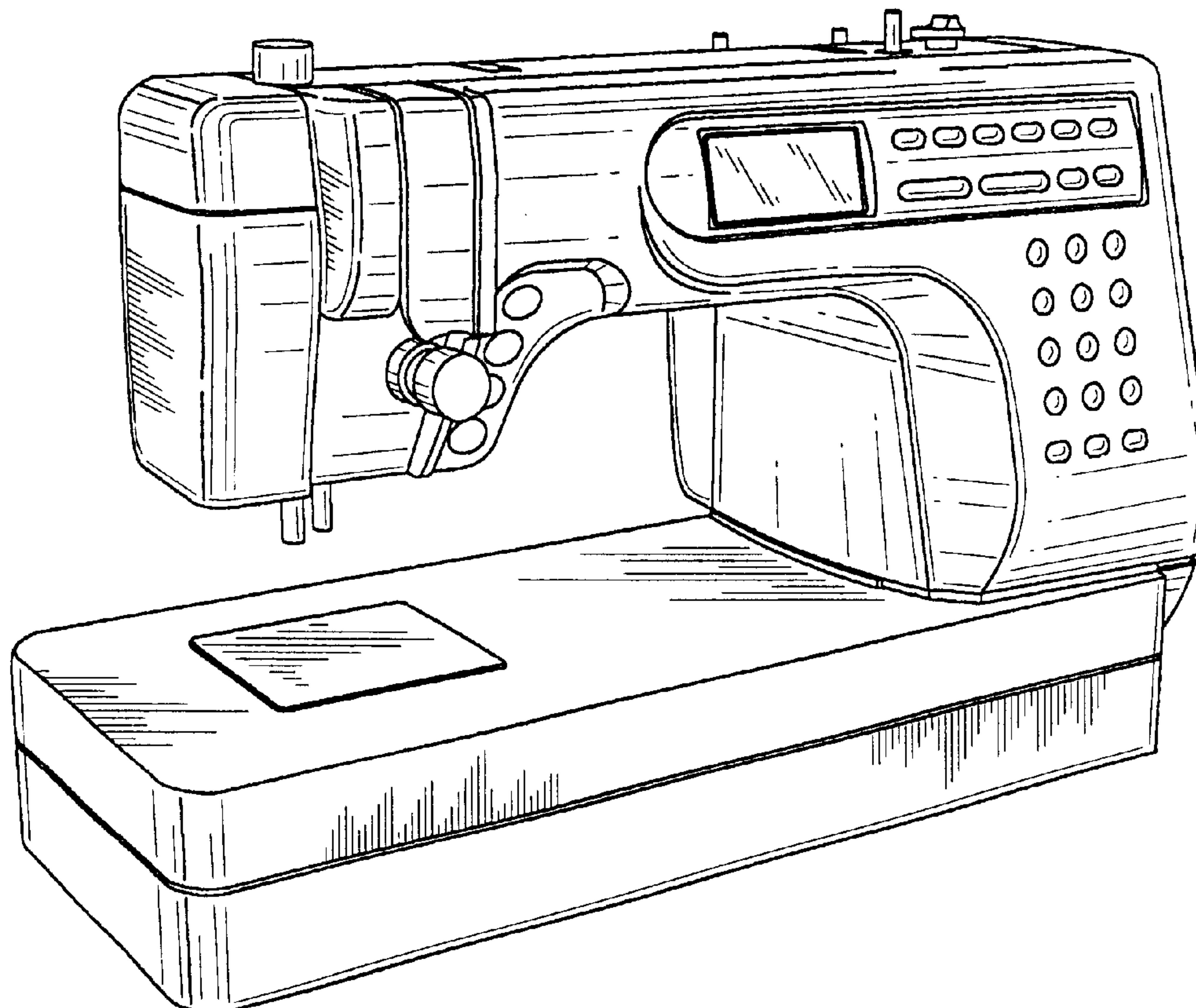


FIG. 1

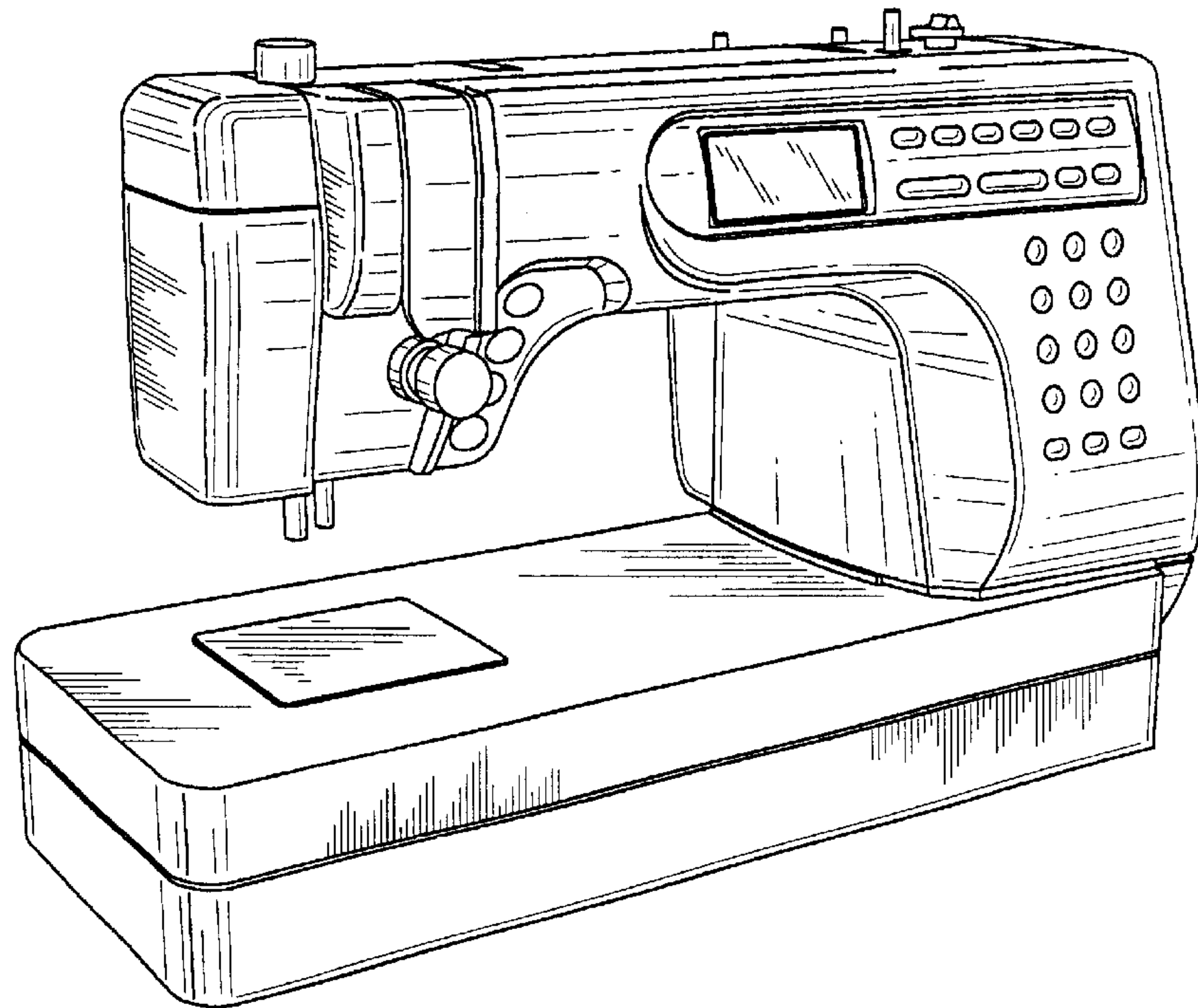


FIG. 2

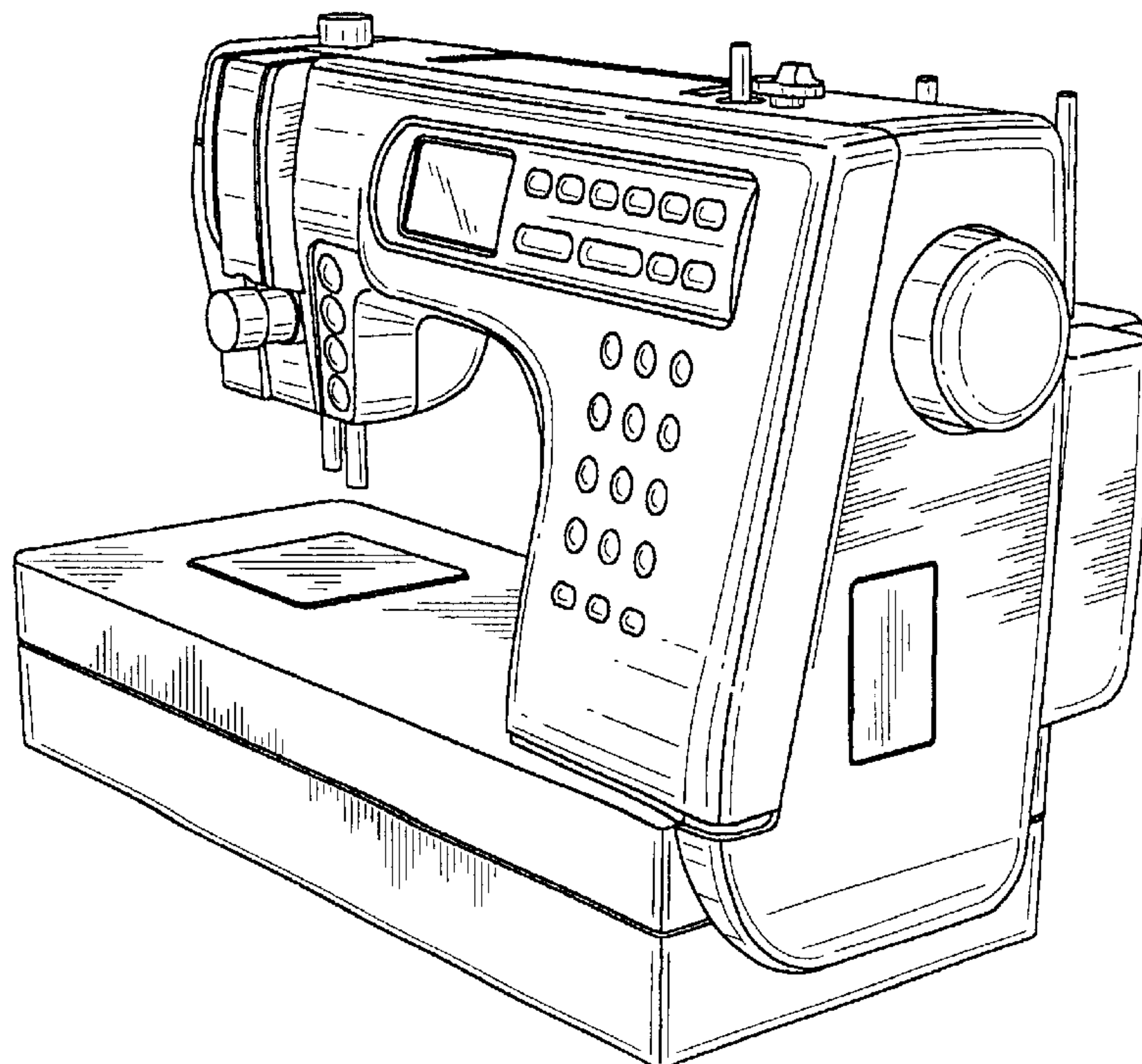


FIG. 3

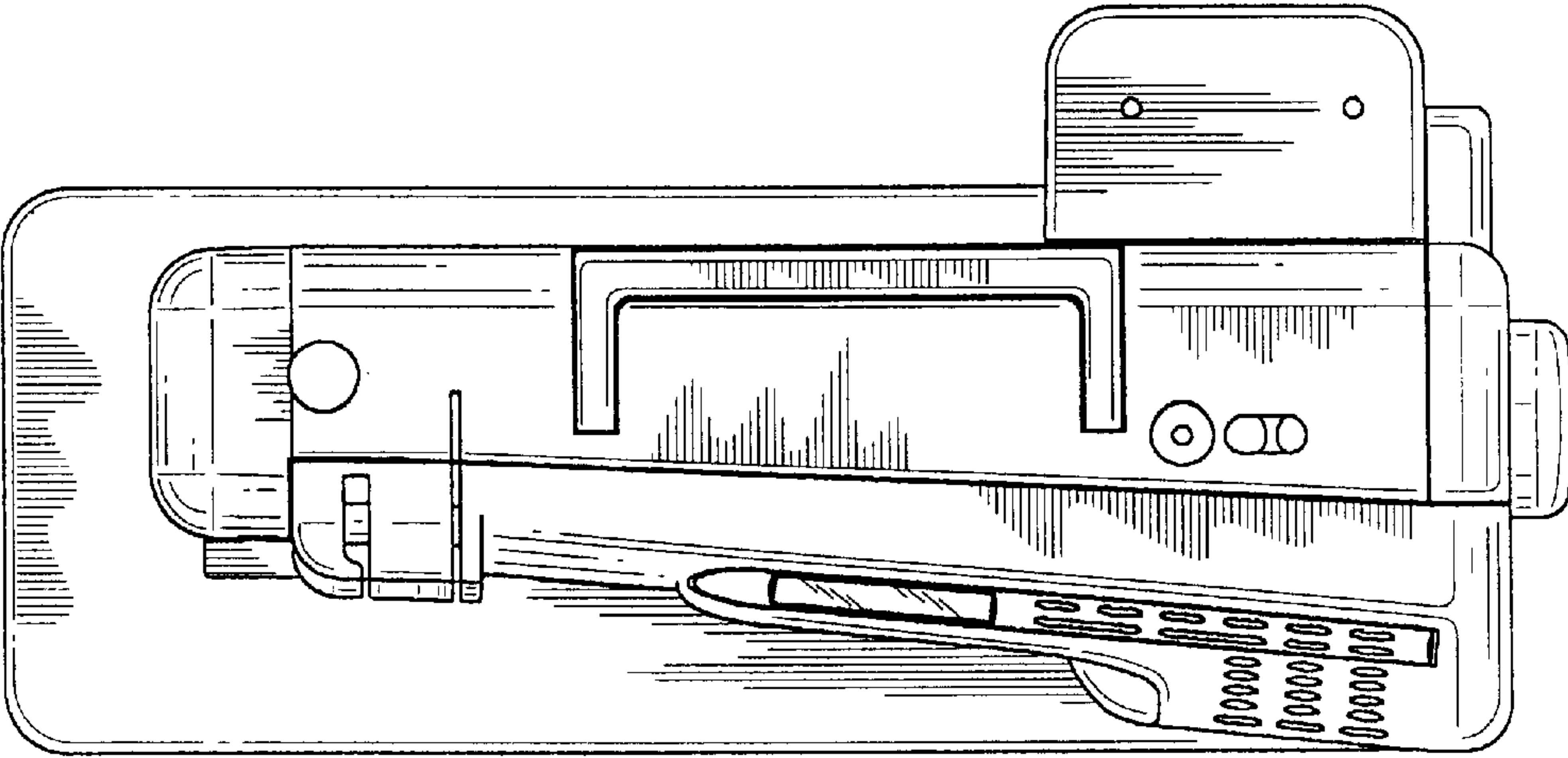


FIG. 4

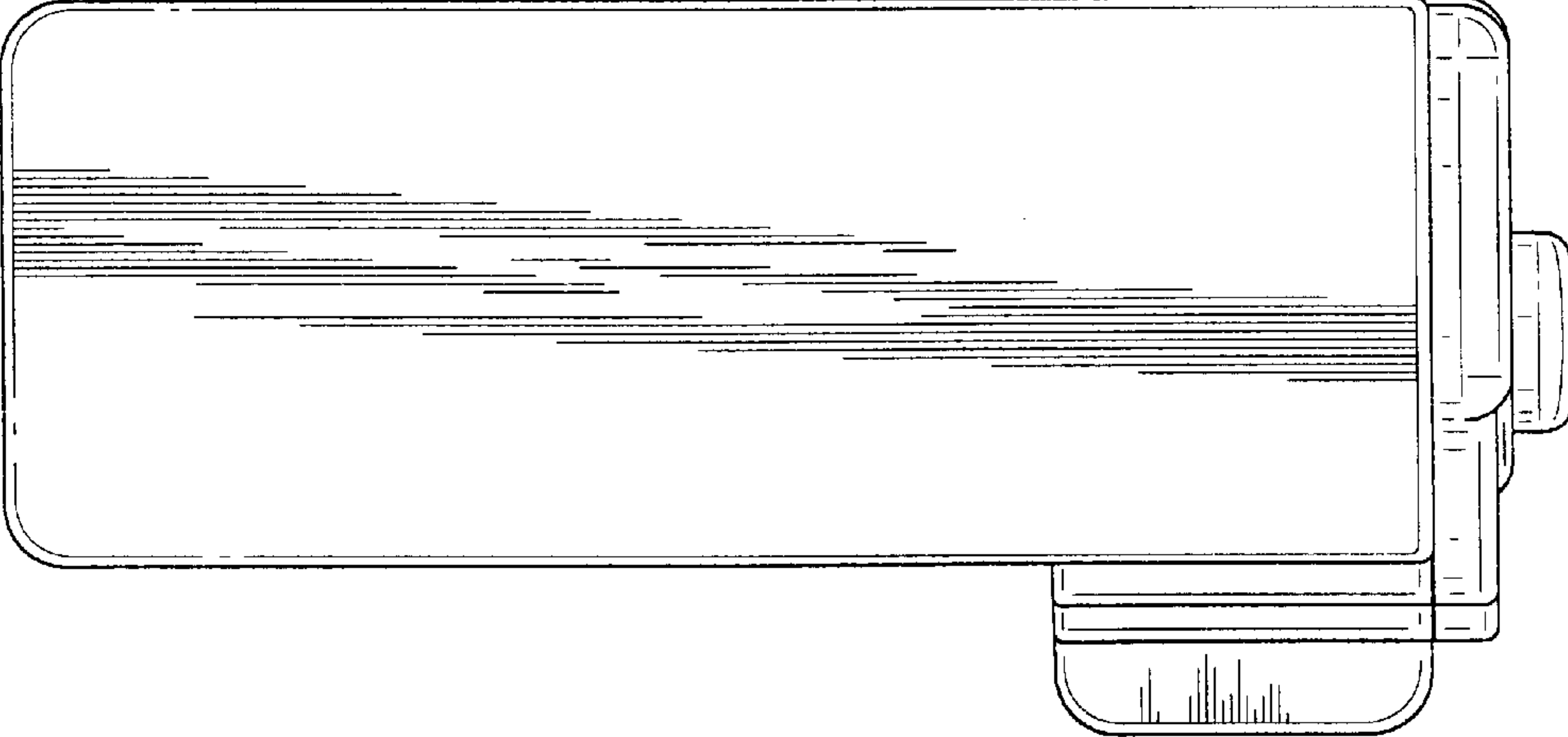


FIG. 5

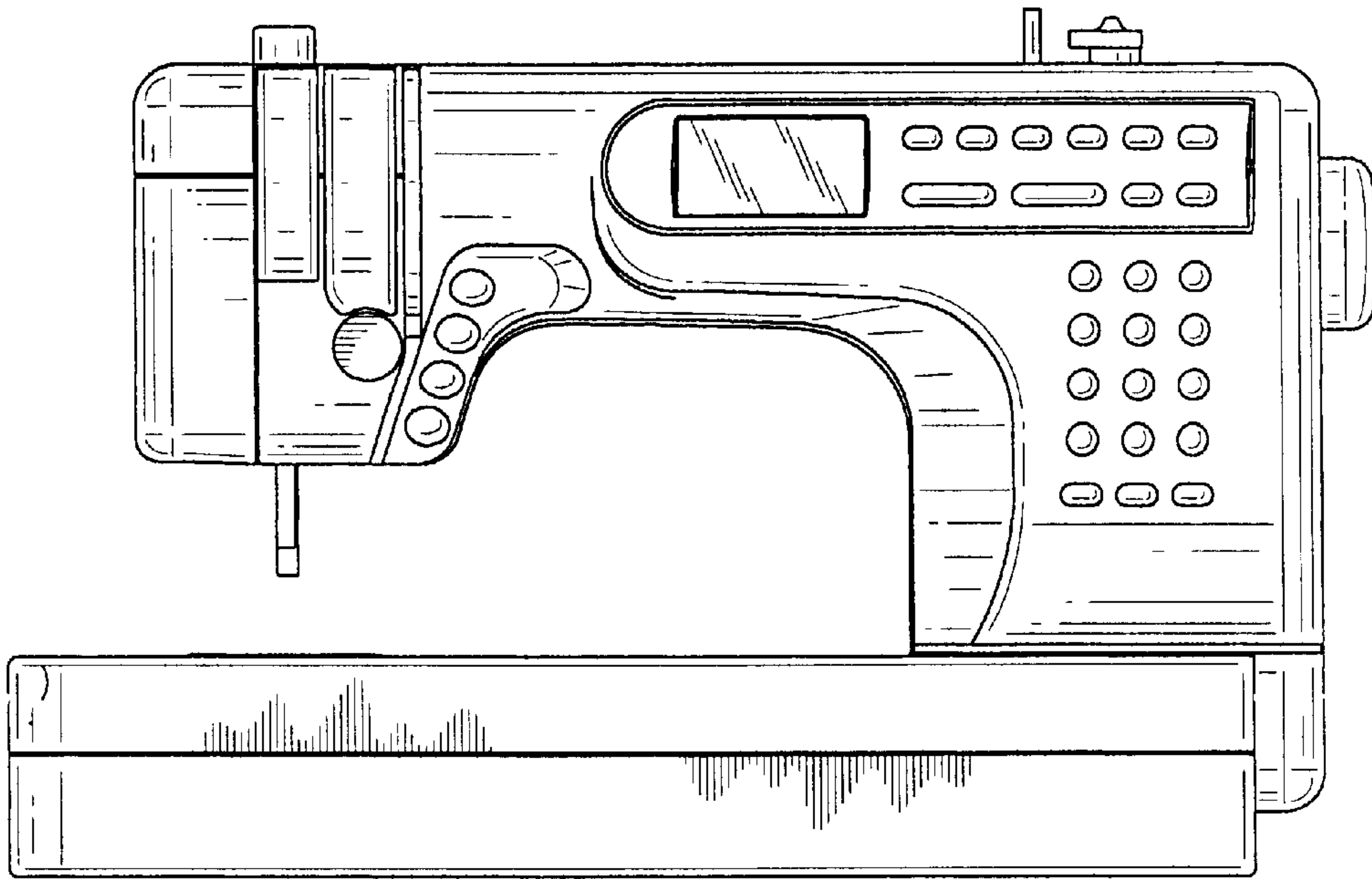


FIG. 6

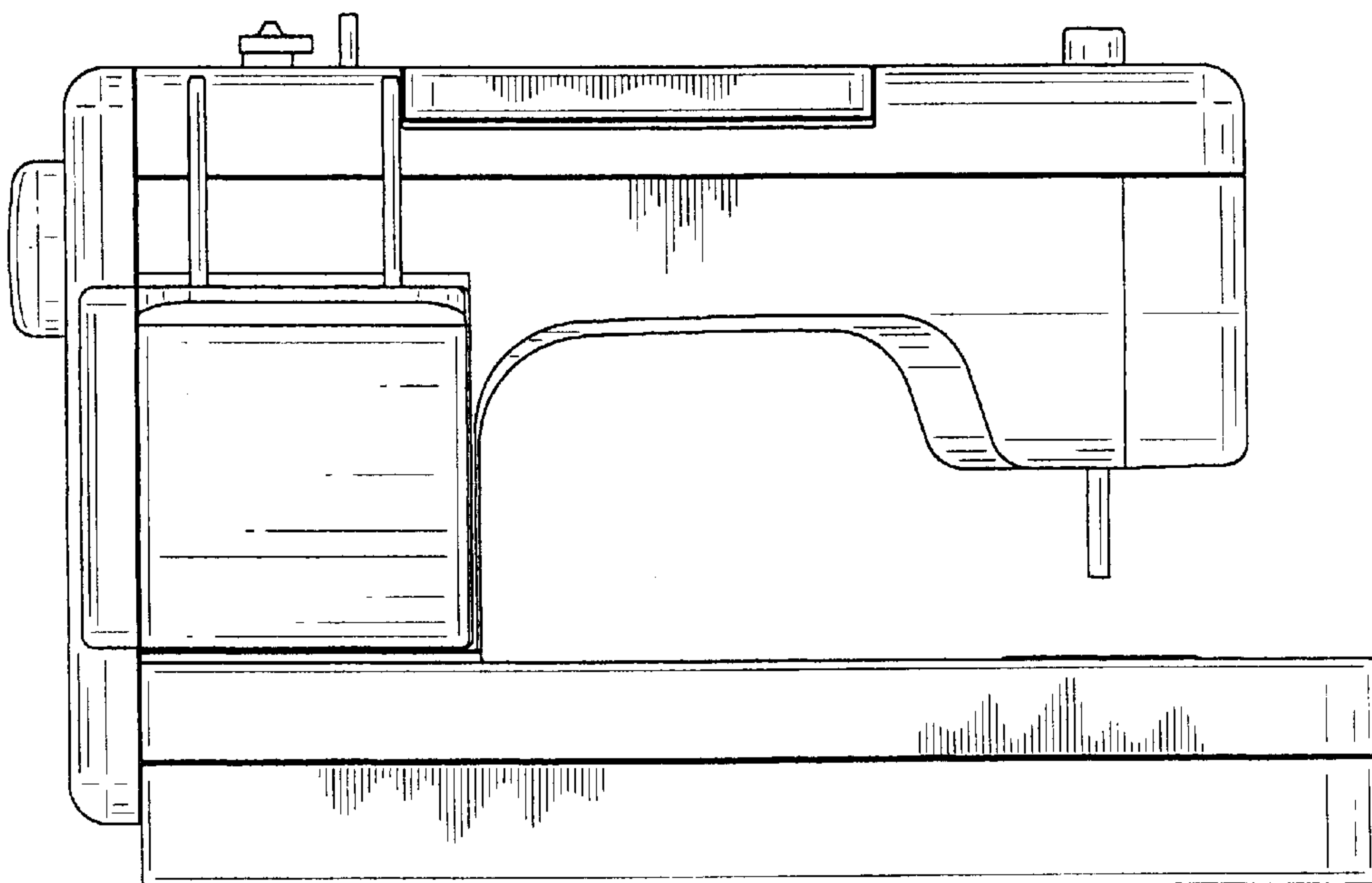


FIG. 7

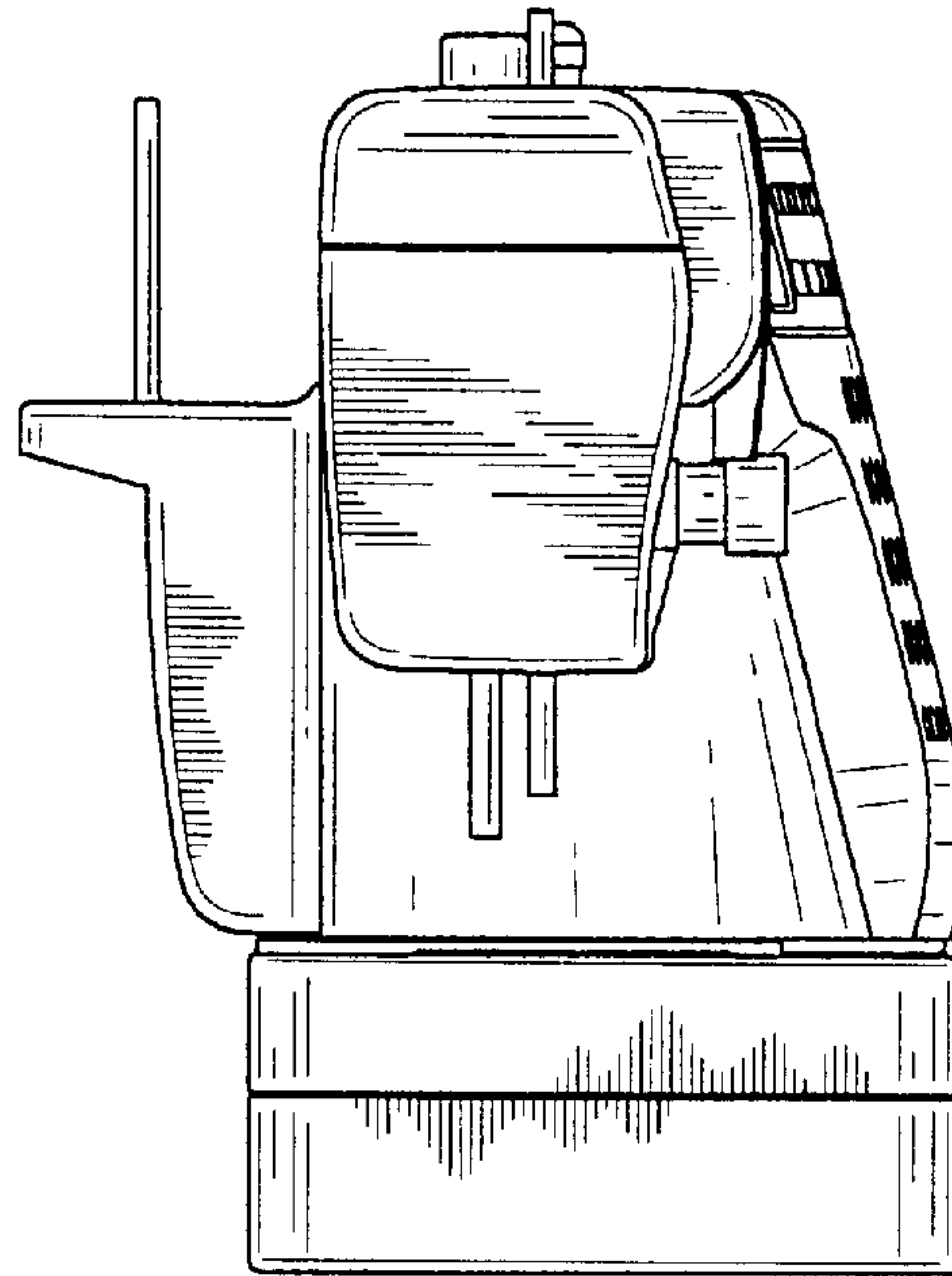


FIG. 8

