

US00D506211S

(12) **United States Design Patent**
Kuwae et al.

(10) **Patent No.:** **US D506,211 S**
(45) **Date of Patent:** **** Jun. 14, 2005**

(54) **PROTECTOR AND HOOD OF A BACKHOE**

D474,481 S * 5/2003 Hara D15/25

(75) Inventors: **Junta Kuwae, Sakai (JP); Tomoaki Miyake, Sakai (JP)**

* cited by examiner

Primary Examiner—Mitchell Siegel

(73) Assignee: **Kubota Corporation, Osaka (JP)**

(74) *Attorney, Agent, or Firm*—Webb Ziesenheim Logsdon Orkin & Hanson, P.C.

(**) Term: **14 Years**

(57) **CLAIM**

(21) Appl. No.: **29/198,682**

The ornamental design for a protector and hood of a backhoe, as shown and described.

(22) Filed: **Feb. 2, 2004**

DESCRIPTION

(30) **Foreign Application Priority Data**

Oct. 16, 2003 (JP) 2003-030500

FIG. 1 is a right side view of a protector and hood of a backhoe in accordance with the present invention, the broken lines in this figure and in all of the remaining figures are for illustrative purposes and form no part of the claimed design;

(51) **LOC (8) Cl.** **15-03**

(52) **U.S. Cl.** **D15/33**

(58) **Field of Search** D15/22–26, 28,
D15/33; 180/89.1, 89.12, 235, 900; 414/694,
699, 722–724; 280/400

FIG. 2 is a left side view of the protector and hood of a backhoe shown in FIG. 1;

FIG. 3 is a rear view of the protector and hood of a backhoe shown in FIG. 1;

(56) **References Cited**

U.S. PATENT DOCUMENTS

- D354,497 S * 1/1995 Kusunoki et al. D15/25
- D431,253 S * 9/2000 Marchetta et al. D15/25
- D436,605 S * 1/2001 Shaw et al. D15/30
- D440,236 S * 4/2001 Kraft et al. D15/28
- D450,067 S * 11/2001 Murakami et al. D15/25
- D450,331 S * 11/2001 Murakami et al. D15/25
- D450,717 S * 11/2001 Muraro D15/25
- D460,974 S * 7/2002 Murakami et al. D15/25
- D473,571 S * 4/2003 Kuwae et al. D15/25

FIG. 4 is a rear and right side perspective view of the protector and hood of a backhoe shown in FIG. 1;

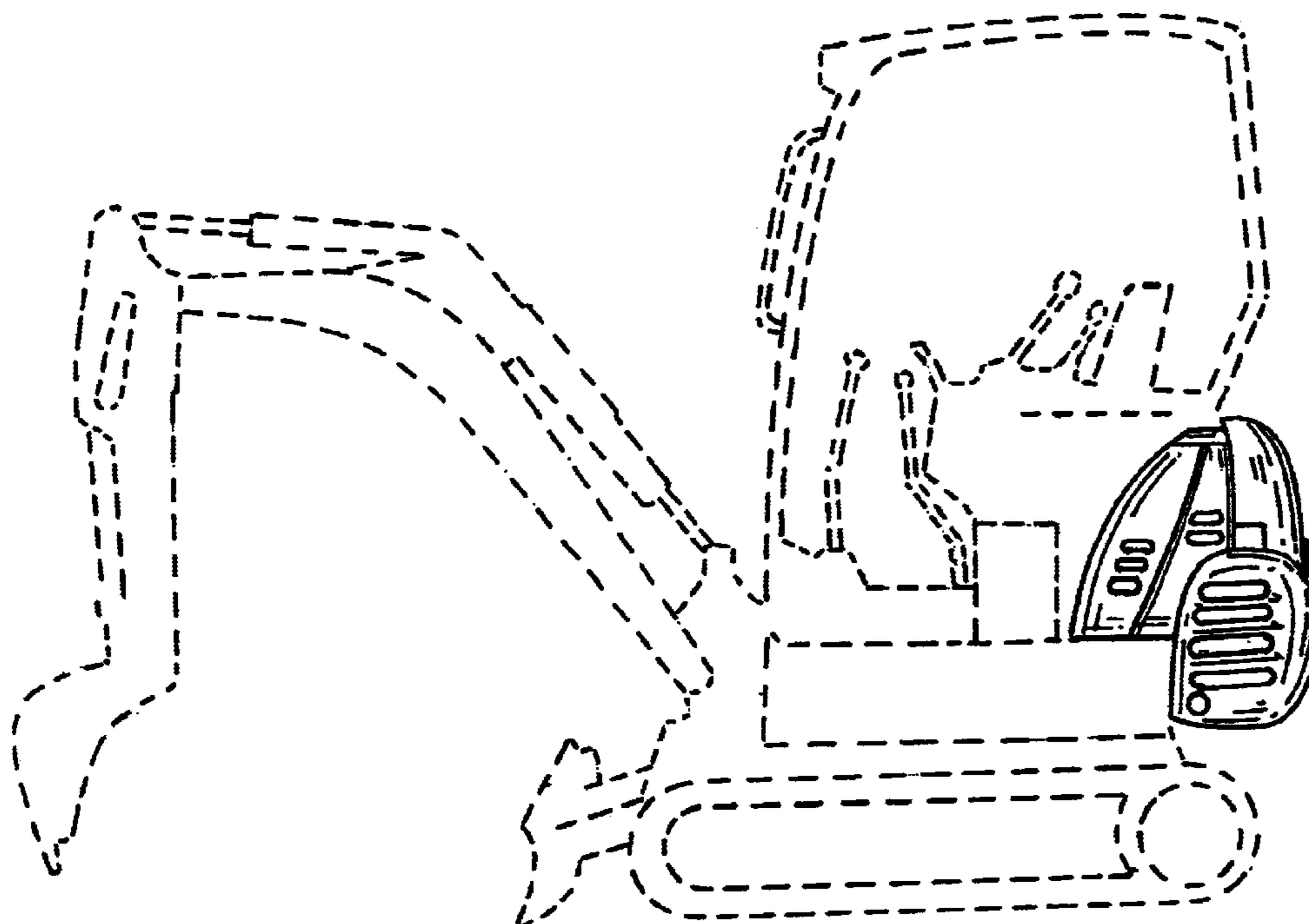
FIG. 5 is an enlarged right side view of the protector and hood of a backhoe shown in FIG. 1;

FIG. 6 is an enlarged left side view of the protector and hood of a backhoe shown in FIG. 1;

FIG. 7 is an enlarged rear view of the protector and hood of a backhoe shown in FIG. 1; and,

FIG. 8 is an enlarged rear and right side perspective view of the protector and hood of a backhoe shown in FIG. 1.

1 Claim, 3 Drawing Sheets



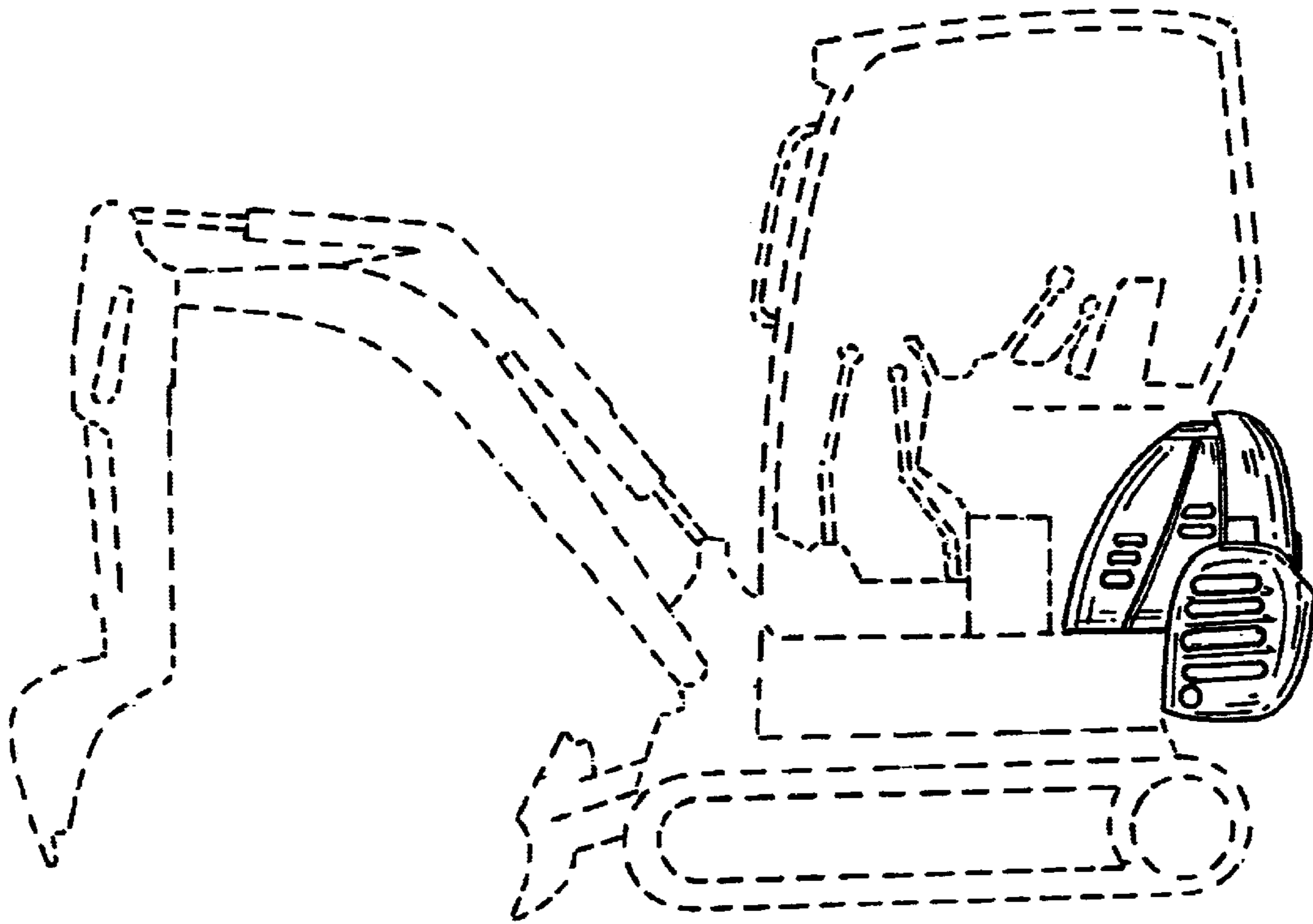


FIG. 1

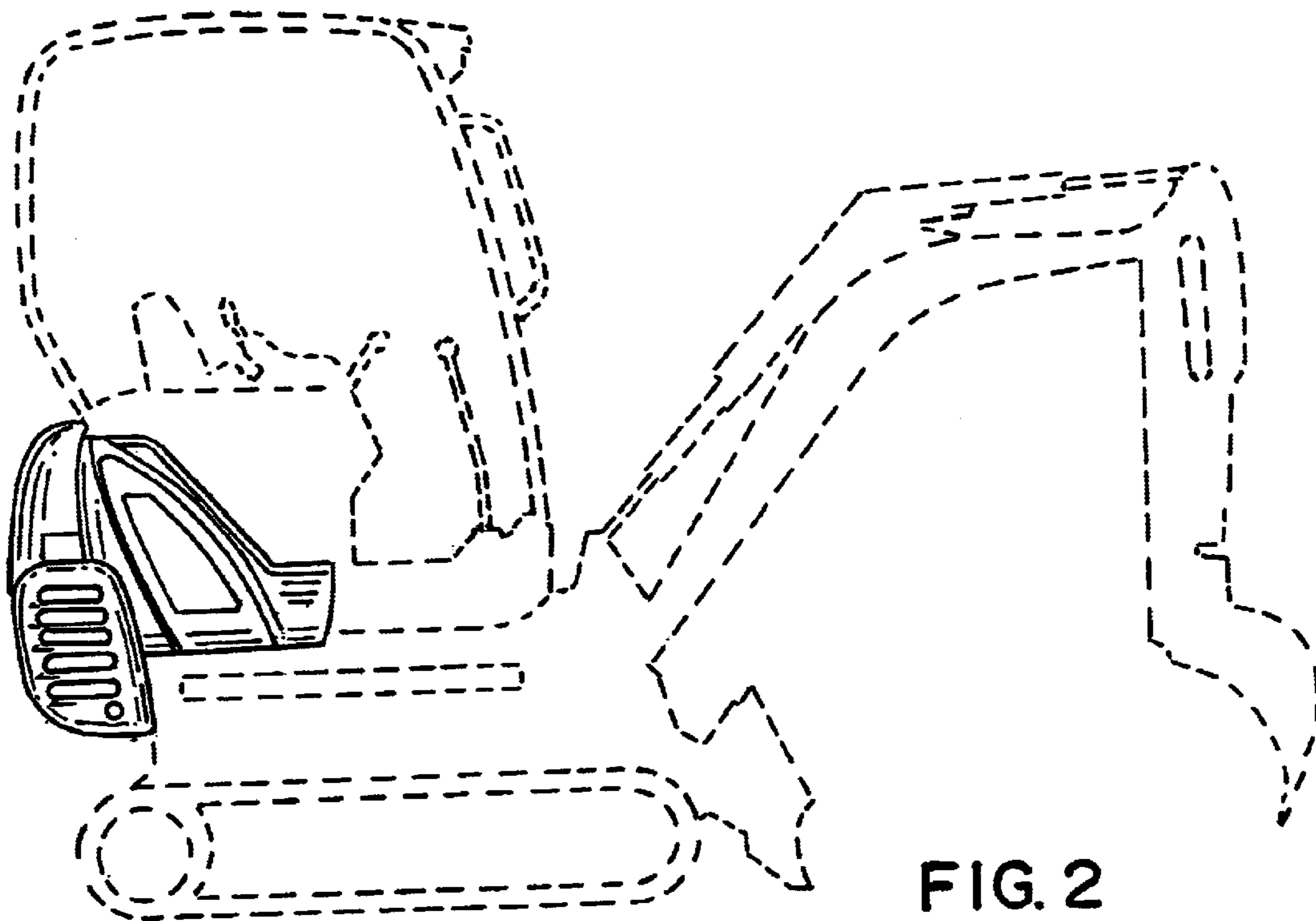


FIG. 2

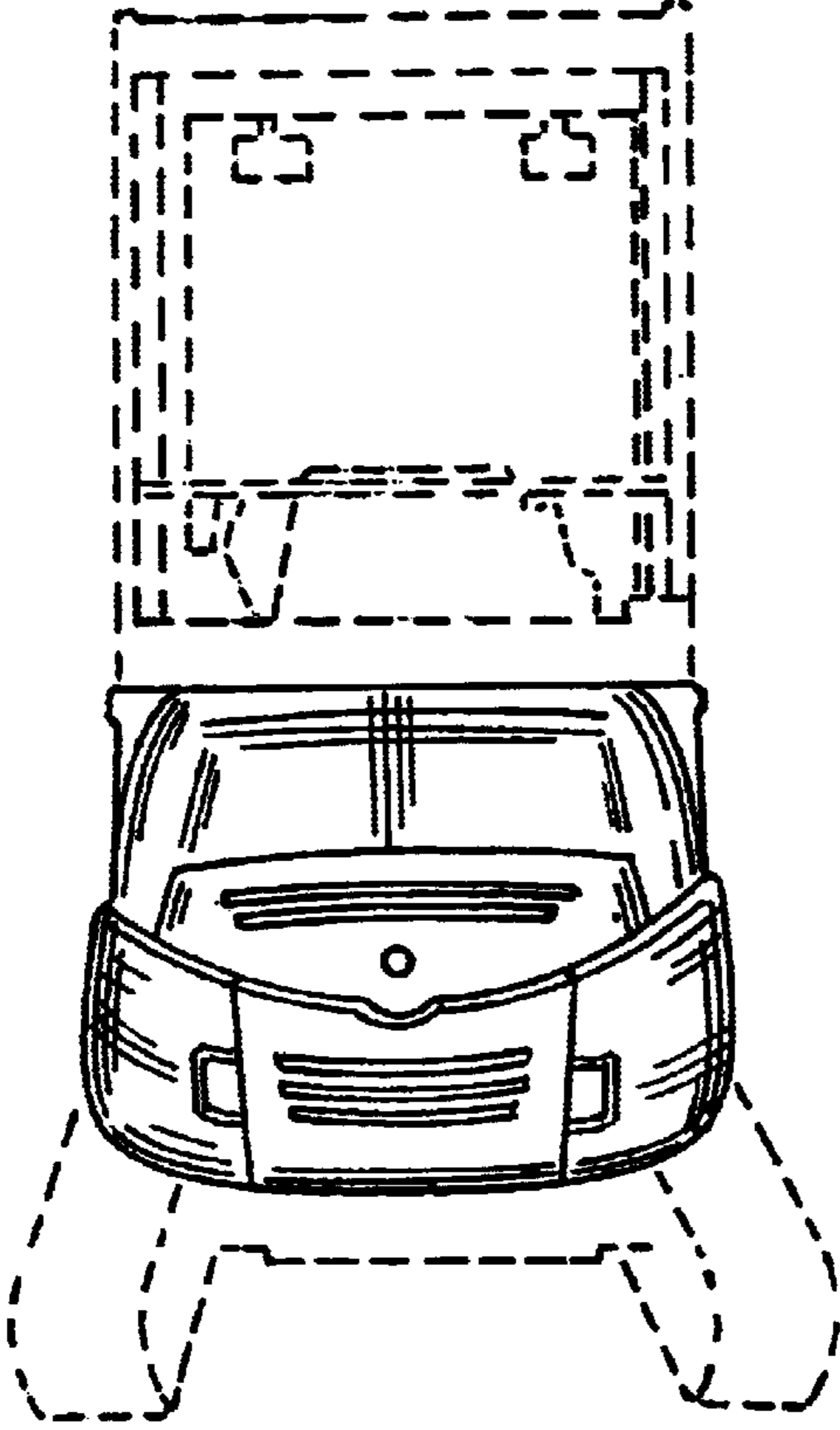


FIG. 3

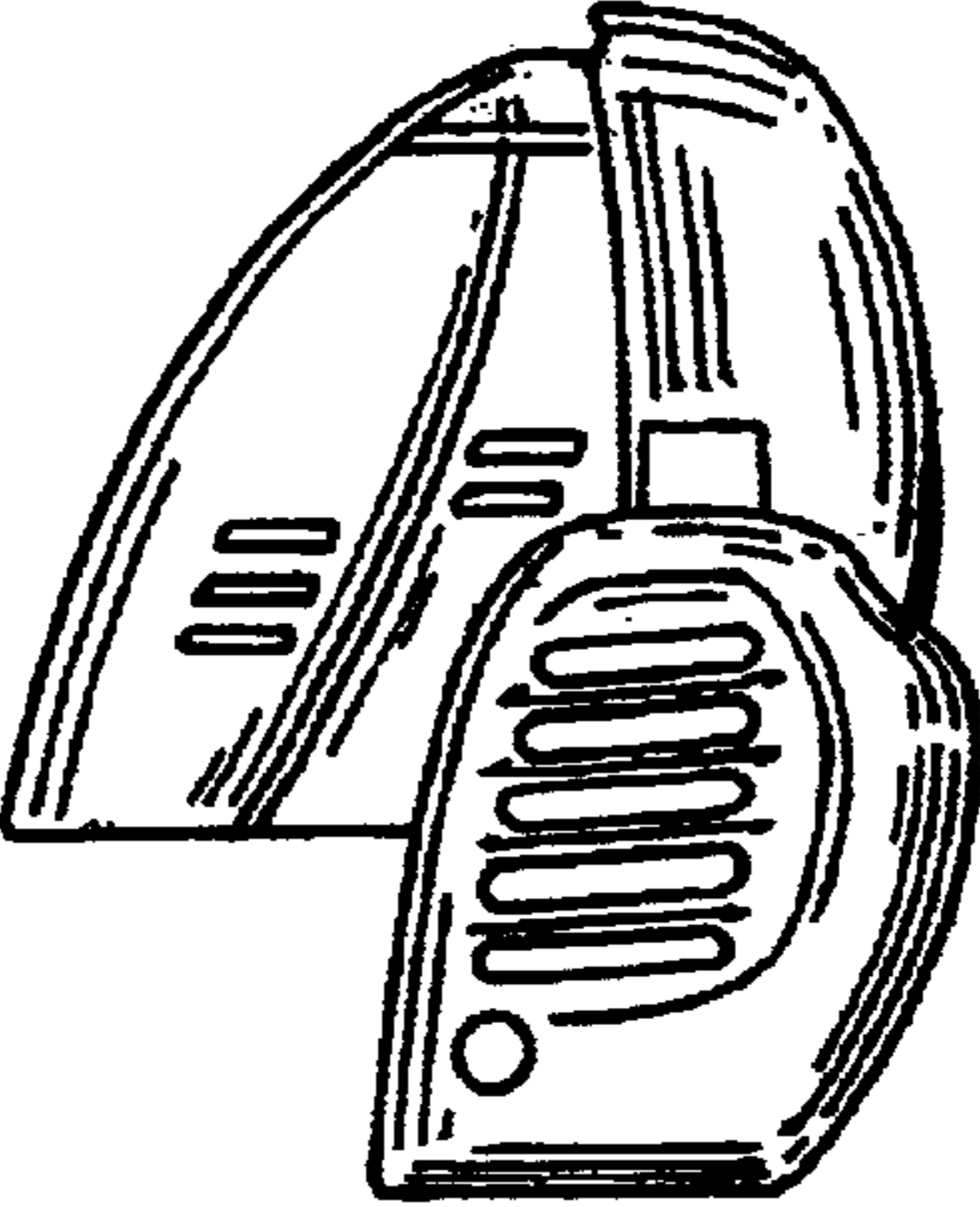


FIG. 5

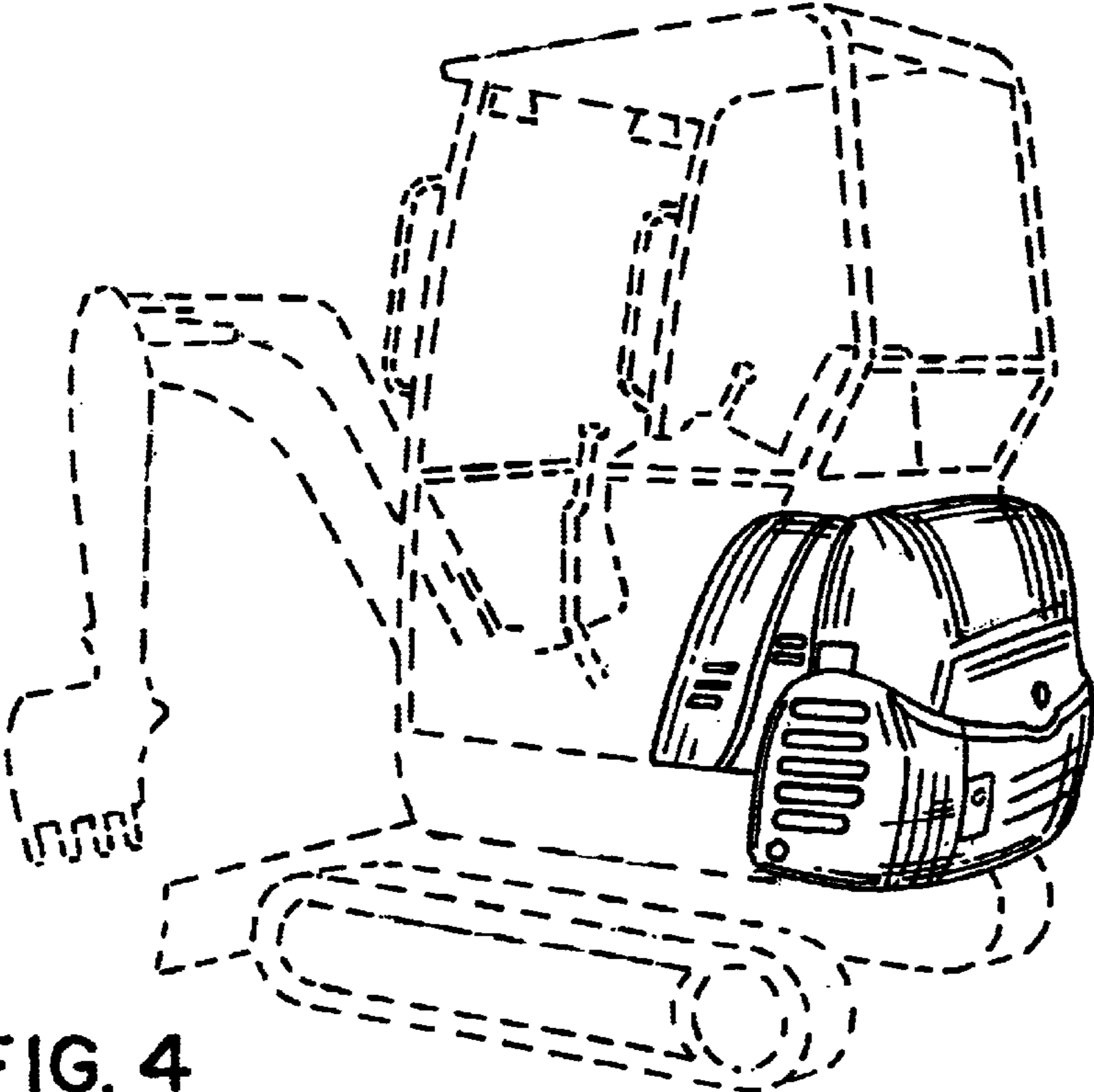


FIG. 4

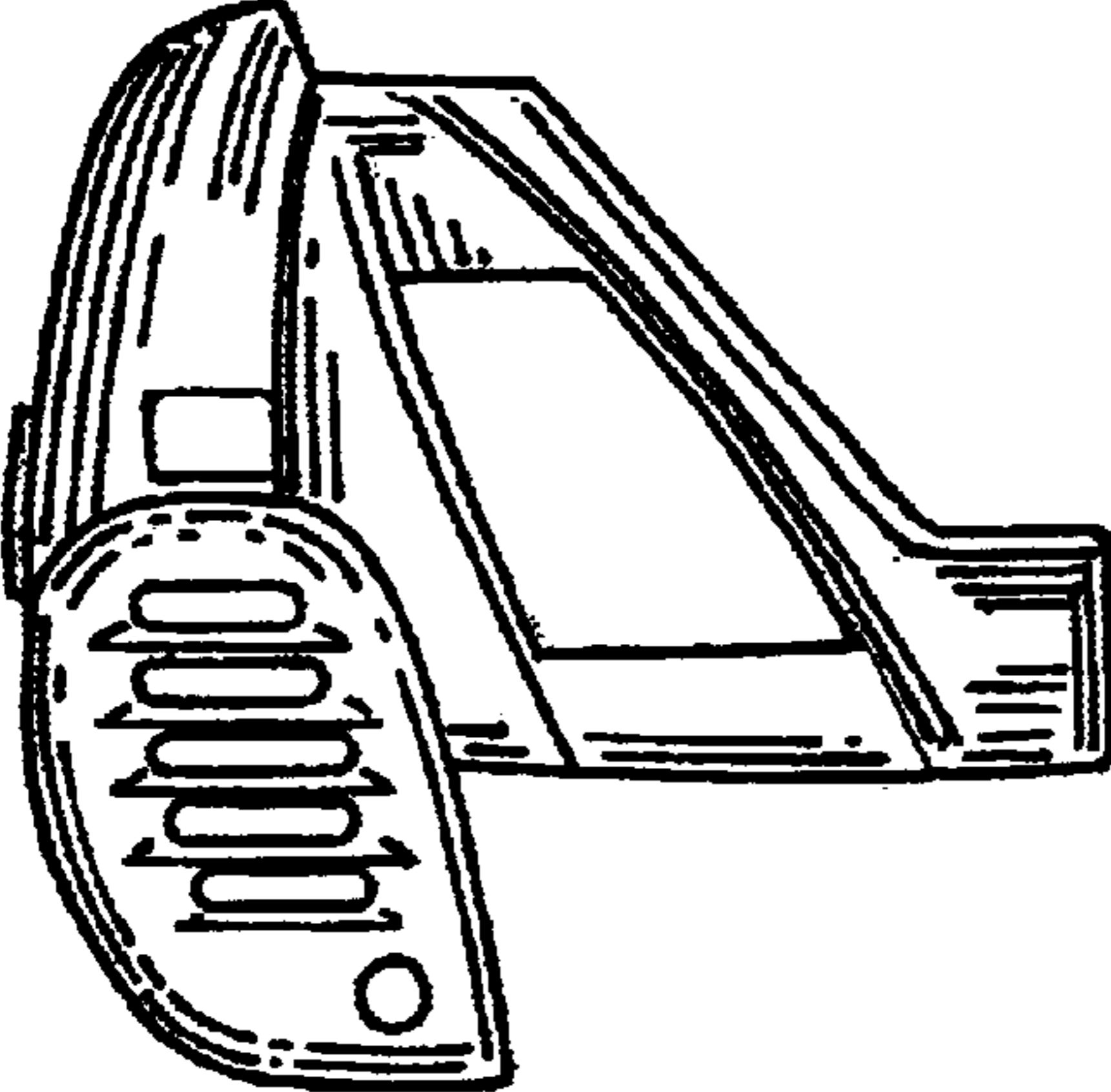


FIG. 6

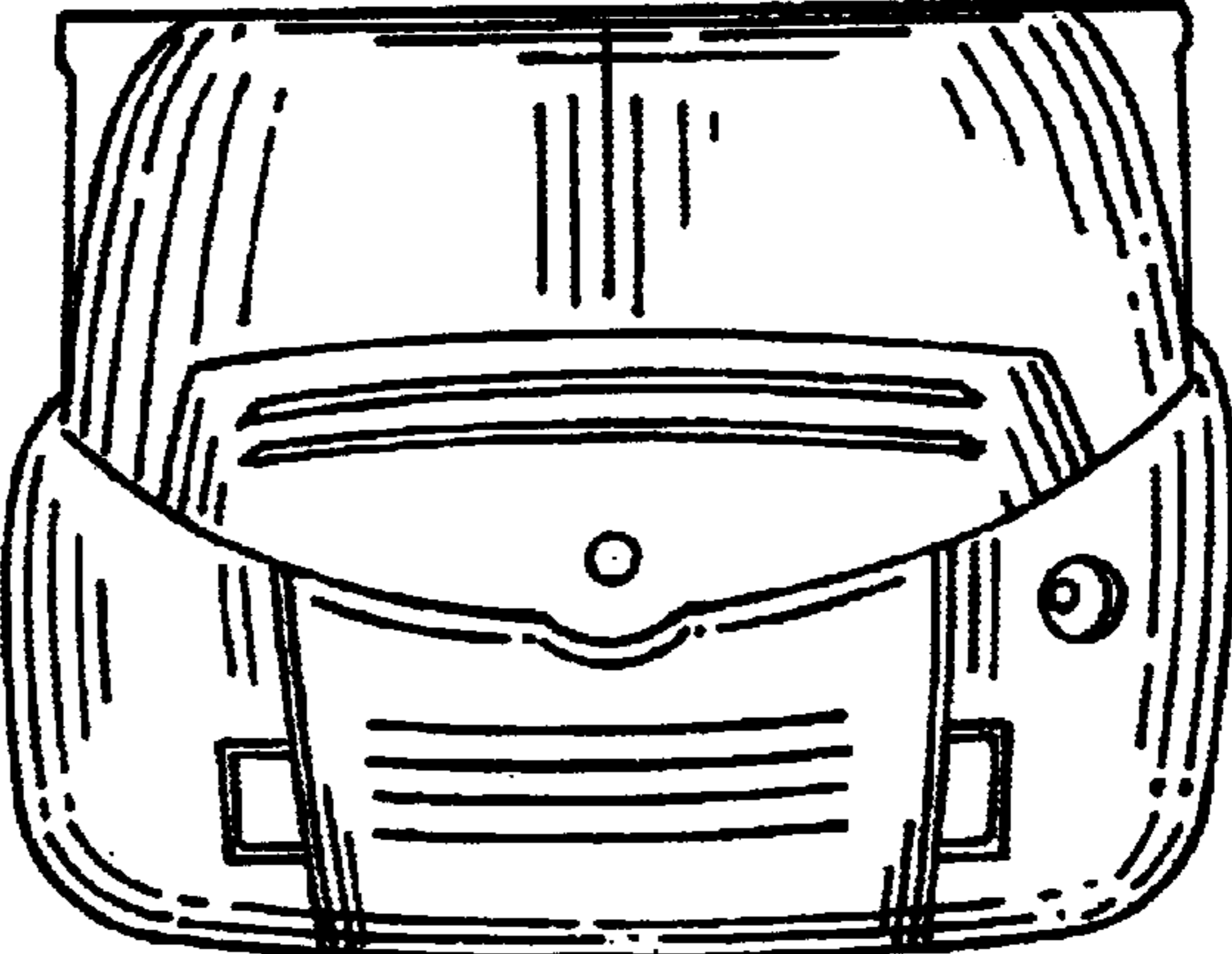


FIG. 7

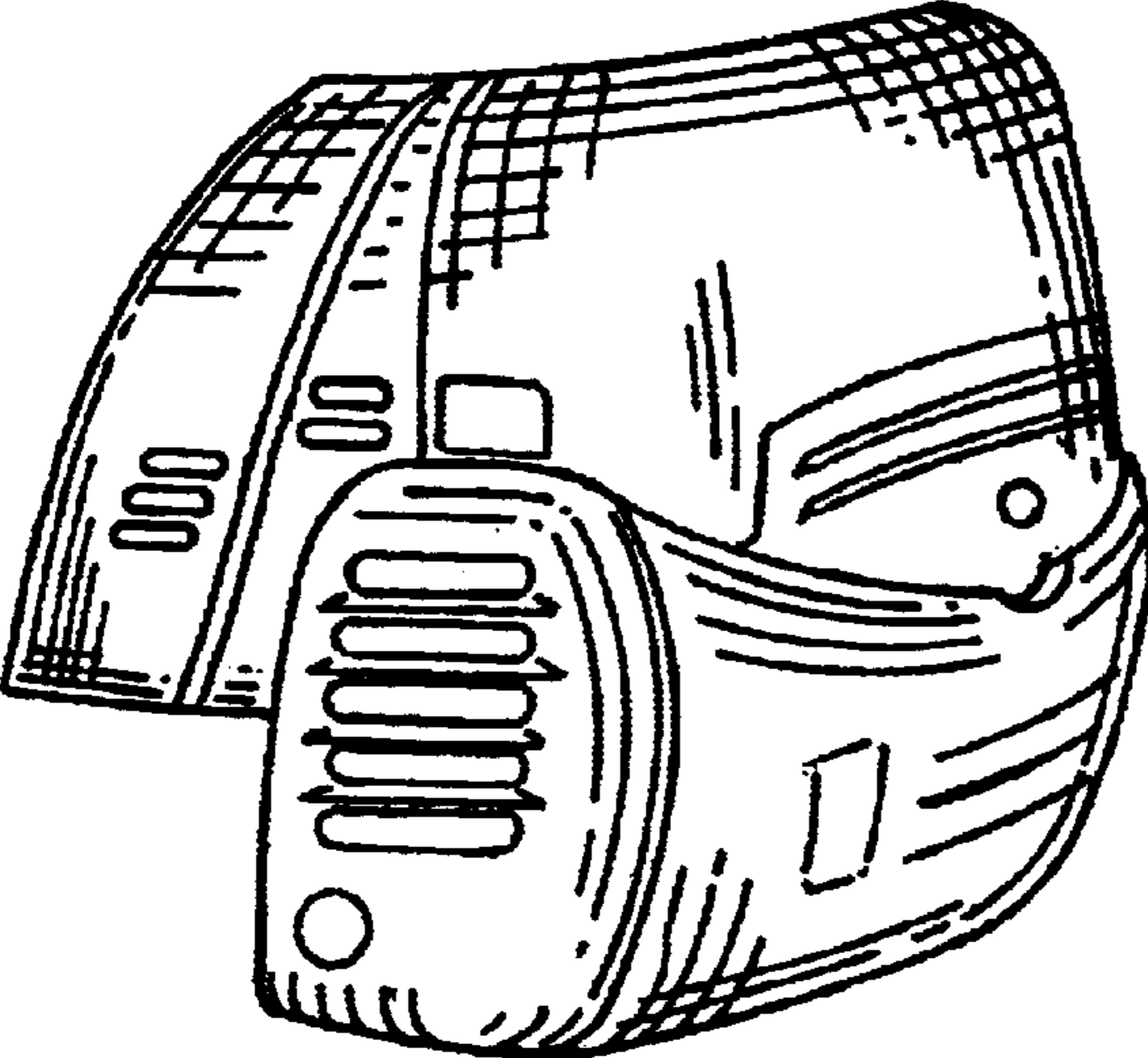


FIG. 8