

US00D506205S

(12) **United States Design Patent**  
**Boele**

(10) **Patent No.:** **US D506,205 S**  
(45) **Date of Patent:** **\*\* Jun. 14, 2005**

(54) **WALL SUPPORT FOR PLASMA SCREENS**

(75) Inventor: **Ronald Boele**, Eindhoven (NL)

(73) Assignee: **Vogel's Holding B.V.**, Eindhoven (NL)

(\*\*) Term: **14 Years**

(21) Appl. No.: **29/164,352**

(22) Filed: **Jul. 22, 2002**

(30) **Foreign Application Priority Data**

Jan. 24, 2002 (WO) ..... DM/059 216

(51) **LOC (8) Cl.** ..... **14-02**

(52) **U.S. Cl.** ..... **D14/452**

(58) **Field of Search** ..... D14/439, 447,  
D14/448, 451, 452; D6/430, 436-7, 449,  
512; 248/917-24, 670, 675-6, 678; 312/198,  
204-5, 306; 211/90.01, 90.02, 153, 175;  
D8/380

(56) **References Cited**

**U.S. PATENT DOCUMENTS**

- 4,836,486 A \* 6/1989 Vossoughi et al.
- D360,126 S \* 7/1995 Rosen
- D367,477 S \* 2/1996 Rosen
- D391,148 S \* 2/1998 Rosen
- D391,937 S \* 3/1998 Rosen

- D391,945 S \* 3/1998 Rosen
- D395,874 S \* 7/1998 Rosen
- 5,850,997 A \* 12/1998 Rosen
- D406,228 S \* 3/1999 Vogels
- 5,996,954 A \* 12/1999 Rosen et al.
- D435,852 S \* 1/2001 Oddsen, Jr.
- D462,359 S \* 9/2002 Scharer et al.
- D462,969 S \* 9/2002 Scharer et al.
- D472,556 S \* 4/2003 Scharer et al.

\* cited by examiner

*Primary Examiner*—M. H. Tung

(74) *Attorney, Agent, or Firm*—Ladas & Parry

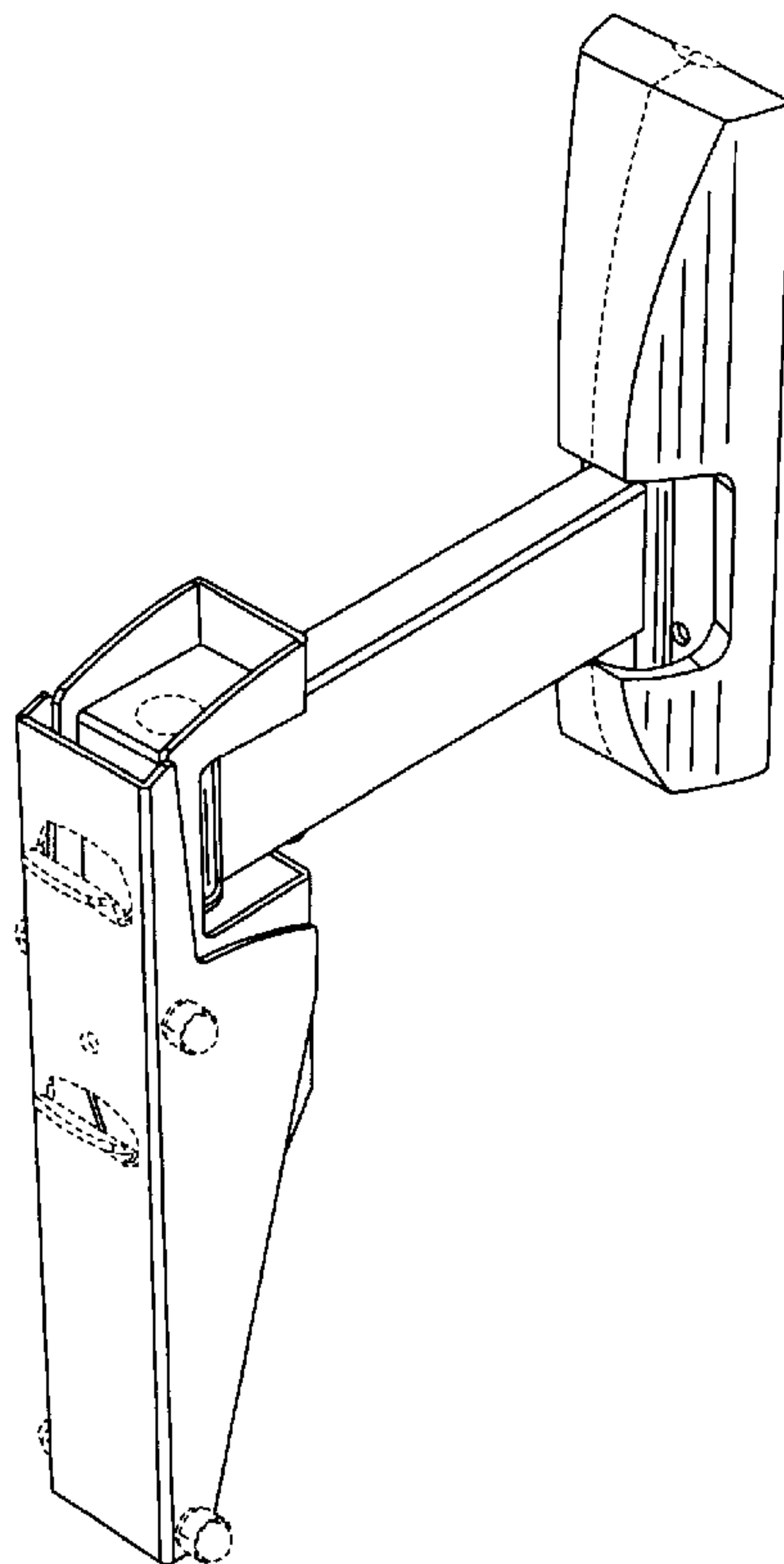
(57) **CLAIM**

The ornamental design for a “wall support for plasma screens”, as shown and described.

**DESCRIPTION**

FIG. 1 is a front, left-side perspective view of a wall support for plasma screens of this invention, on a reduced scale;  
 FIG. 2 is a front view thereof;  
 FIG. 3 is a right-side view thereof, the left-side is a mirror image;  
 FIG. 4 is a top view thereof;  
 FIG. 5 is a bottom view thereof; and,  
 FIG. 6 is a rear view thereof.

**1 Claim, 6 Drawing Sheets**



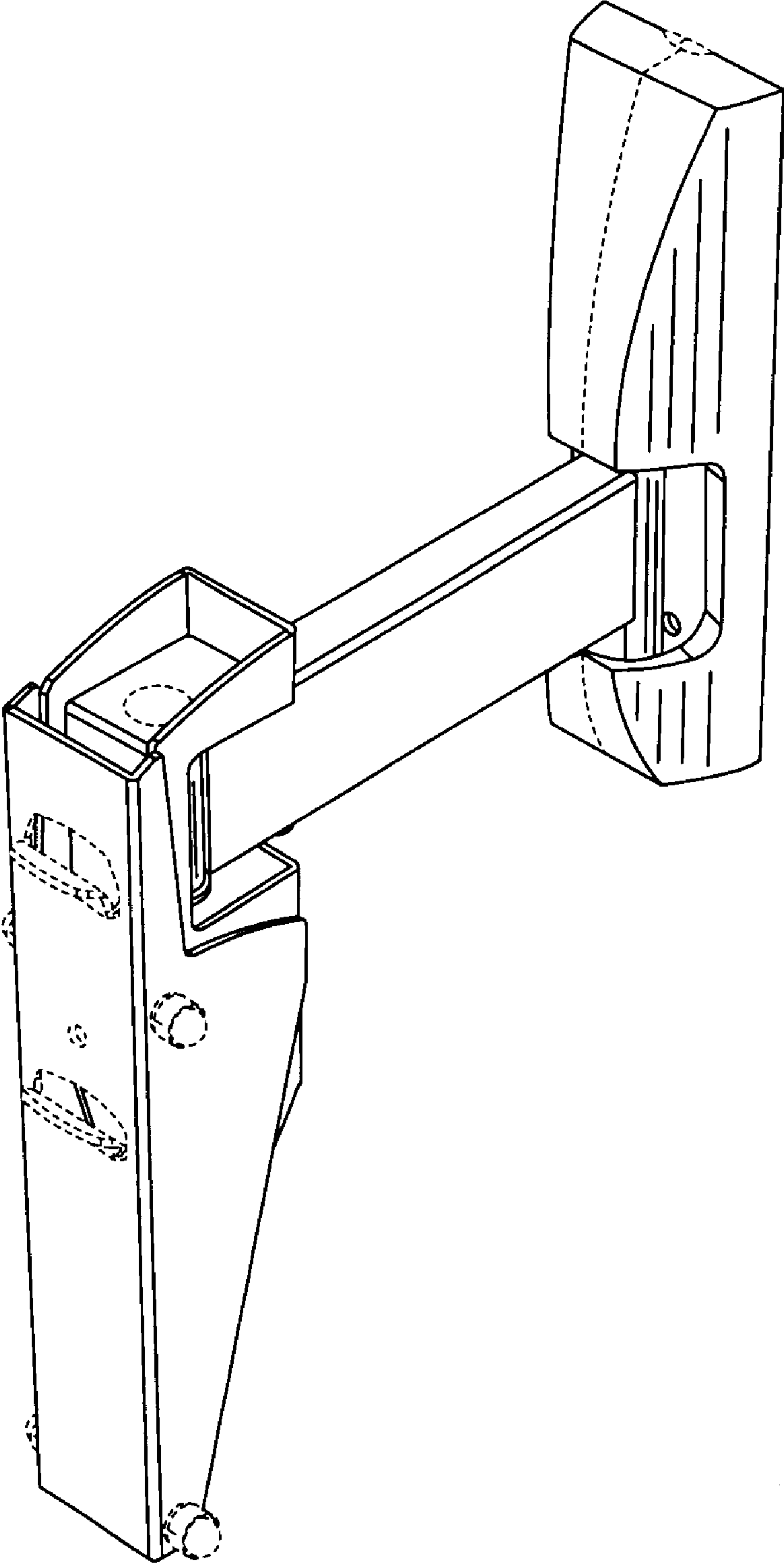


FIG. 1

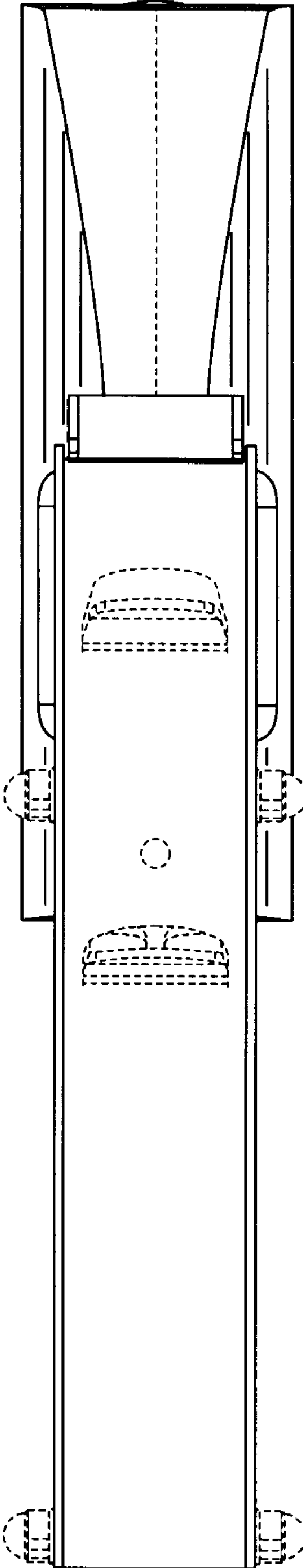


FIG. 2

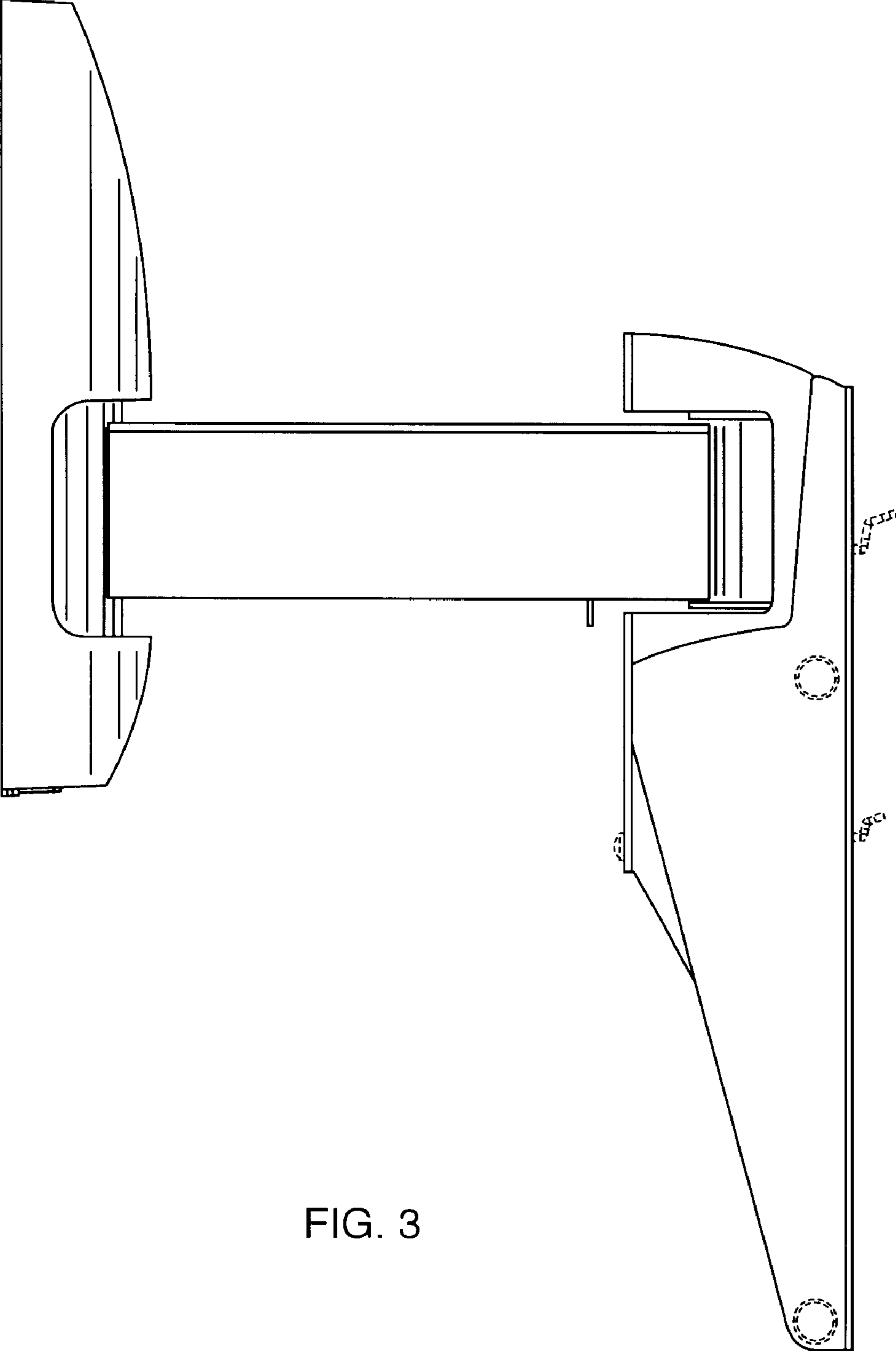


FIG. 3

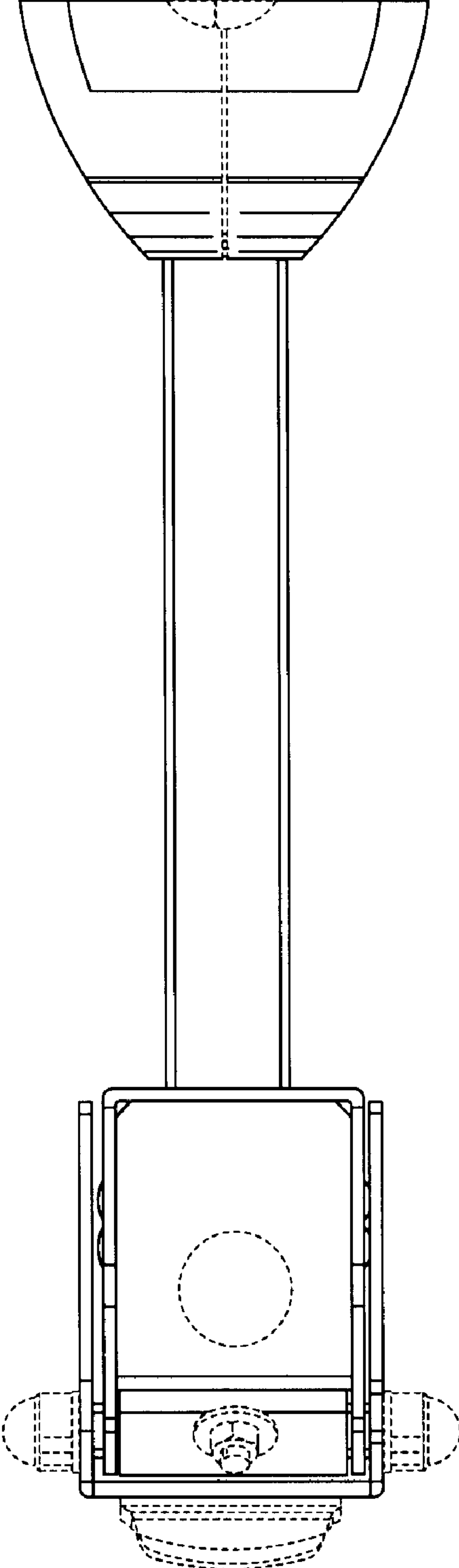


FIG. 4

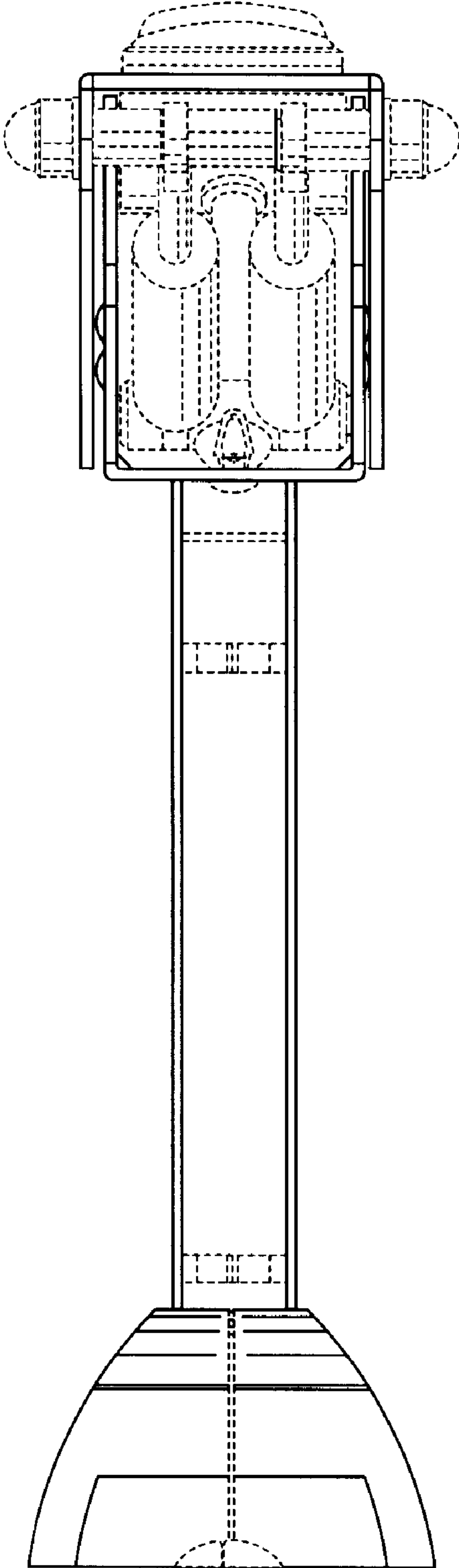


FIG. 5

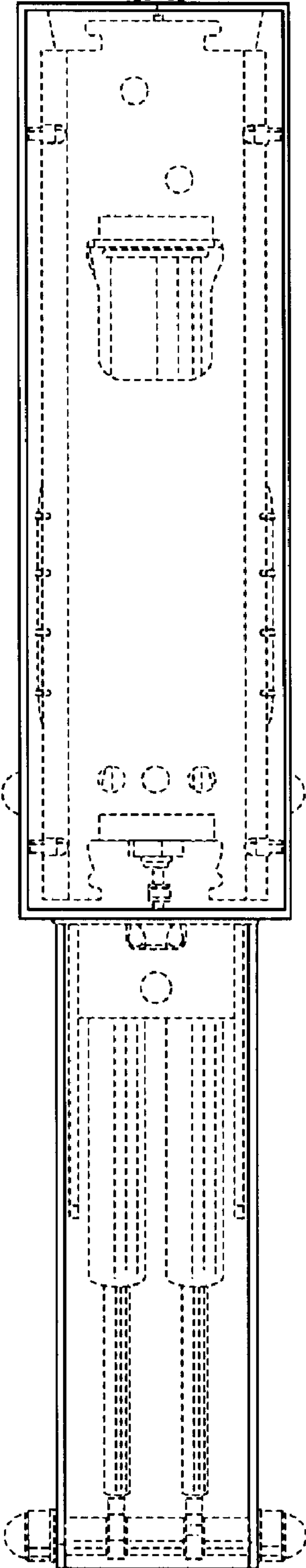


FIG. 6