

US00D506204S

(12) **United States Design Patent**  
**Bain**

(10) **Patent No.:** **US D506,204 S**  
(45) **Date of Patent:** **\*\* Jun. 14, 2005**

(54) **LARGE FLAT SCREEN MONITOR RISER**

(76) **Inventor:** **Charles Edward Bain**, 35W611  
Parsons Rd., West Dundee, IL (US)  
60118

(\*\*) **Term:** **14 Years**

(21) **Appl. No.:** **29/195,941**

(22) **Filed:** **Dec. 18, 2003**

(51) **LOC (8) Cl.** ..... **14-02**

(52) **U.S. Cl.** ..... **D14/451**

(58) **Field of Search** ..... D14/432, 434,  
D14/447, 448, 451; 248/125.2, 274.1, 286.1;  
307/38

(56) **References Cited**

**U.S. PATENT DOCUMENTS**

D276,612 S \* 12/1984 McVicker et al. .... D14/451

D291,204 S \* 8/1987 Hampshire et al. .... D14/451  
D303,794 S \* 10/1989 Brunner ..... D14/451  
5,250,851 A \* 10/1993 McKnight et al. .... 307/38  
5,732,919 A \* 3/1998 Rosen et al. .... 248/274.1  
D393,451 S \* 4/1998 Faranda et al. .... D14/434  
6,189,849 B1 \* 2/2001 Sweere et al. .... 248/286.1  
6,352,226 B1 \* 3/2002 Gordon ..... 248/125.2

\* cited by examiner

*Primary Examiner*—Freda S. Nunn

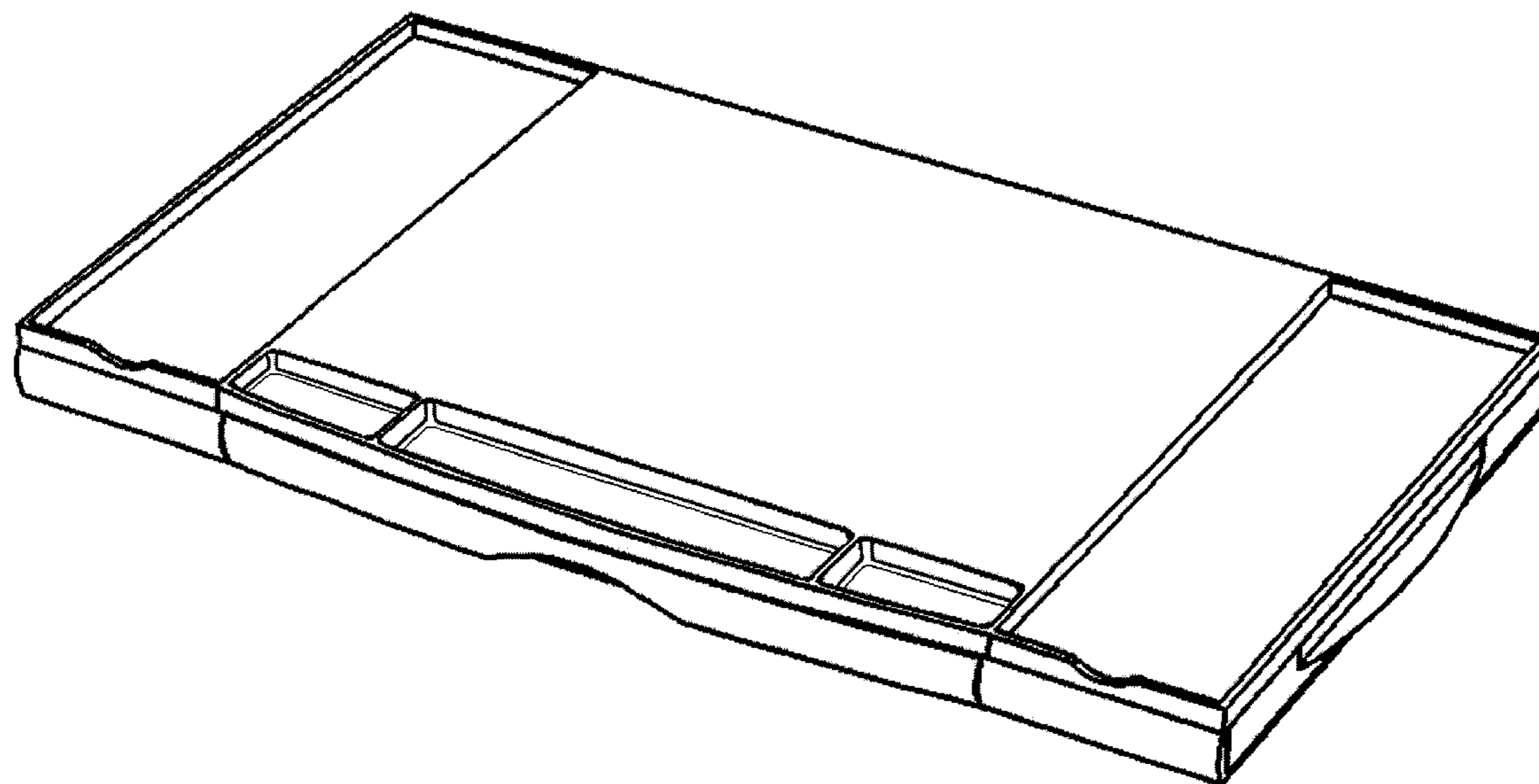
(57) **CLAIM**

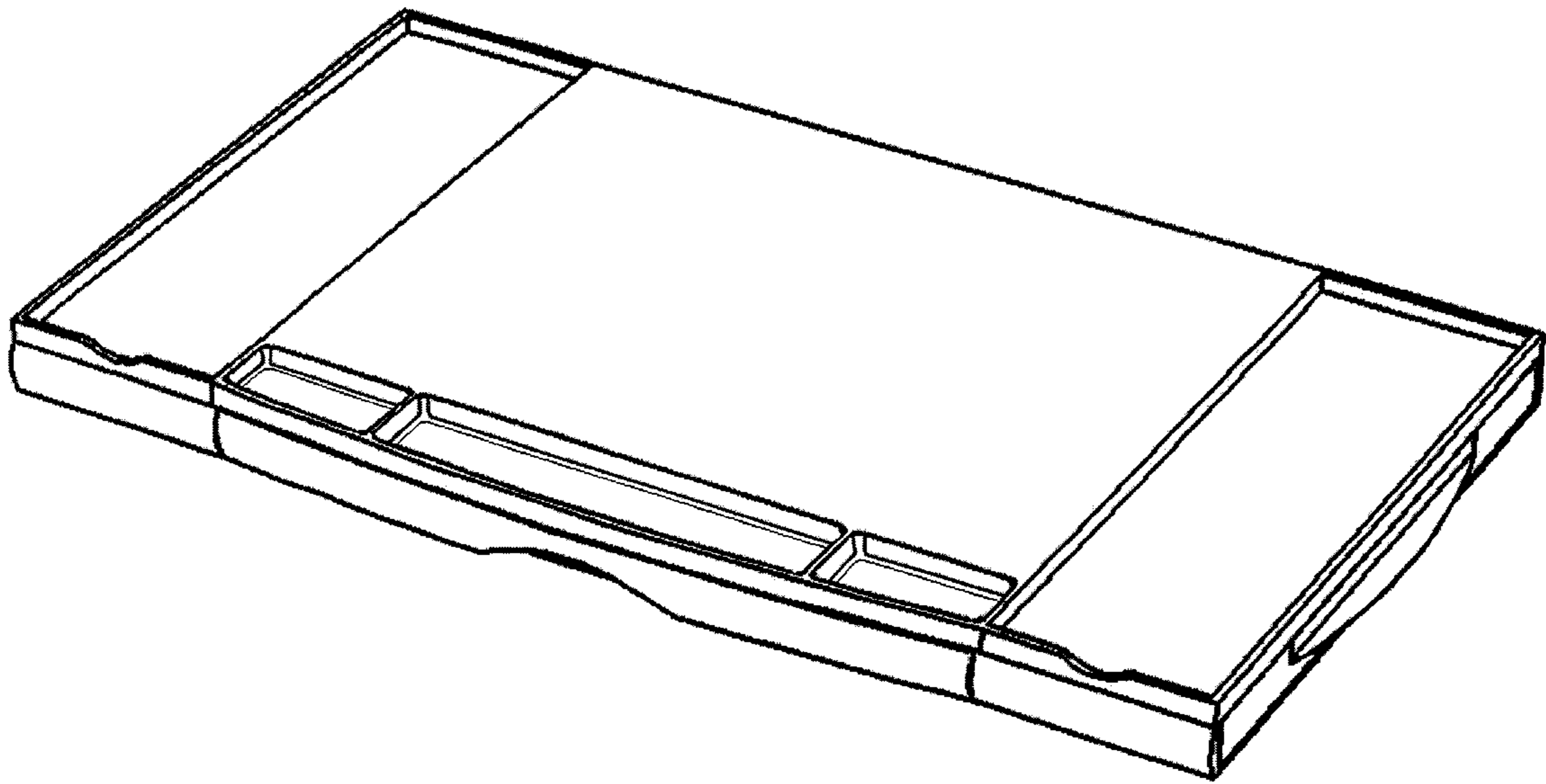
The ornamental design for a large flat screen monitor riser,  
as shown.

**DESCRIPTION**

The FIGURE is a perspective view of the front and right side  
of the large flat screen monitor riser showing my new design.

**1 Claim, 1 Drawing Sheet**





**The figure is my perspective view of the front and right side of the Large Flat Screen Monitor Riser showing my new design.**