

US00D506203S

(12) **United States Design Patent**
Xiao et al.

(10) **Patent No.:** **US D506,203 S**
(45) **Date of Patent:** **** Jun. 14, 2005**

(54) **COMPUTER FRONT BEZEL**

D438,517 S * 3/2001 Chen et al. D14/444

(75) Inventors: **Xin-Jian Xiao**, Shenzhen (CN);
Chun-Chi Liang, Tu-Cheng (TW);
Yun-Dong Xu, Shenzhen (CN); **Rong He**, Shenzhen (CN)

* cited by examiner

Primary Examiner—Freda S. Nunn
(74) *Attorney, Agent, or Firm*—Morris, Manning & Martin;
Tim Tingkang Xia, Esq.

(73) Assignee: **Hon Hai Precision Industry Co., LTD**,
Tu-cheng (TW)

(57) **CLAIM**

The ornamental design for a computer front bezel, as shown and described.

(**) Term: **14 Years**

(21) Appl. No.: **29/207,747**

DESCRIPTION

(22) Filed: **Jun. 16, 2004**

FIG. 1 is a perspective view of a computer front bezel of our new design;
FIG. 2 is a front elevational view thereof;
FIG. 3 is a rear elevational view thereof;
FIG. 4 is a left side elevational view thereof;
FIG. 5 is a right side elevational view thereof;
FIG. 6 is a top plan view thereof;
FIG. 7 is a bottom plan view thereof; and,
FIG. 8 is a perspective view thereof being mounted to a computer case and having a plurality of shield plates attached thereto, wherein the computer case and the front covers are shown in broken lines for illustrative purposes only and form no part of the claimed design.

(30) **Foreign Application Priority Data**

Apr. 23, 2004 (CN) 2004300393811

(51) **LOC (8) Cl.** **14-02**

(52) **U.S. Cl.** **D14/445**

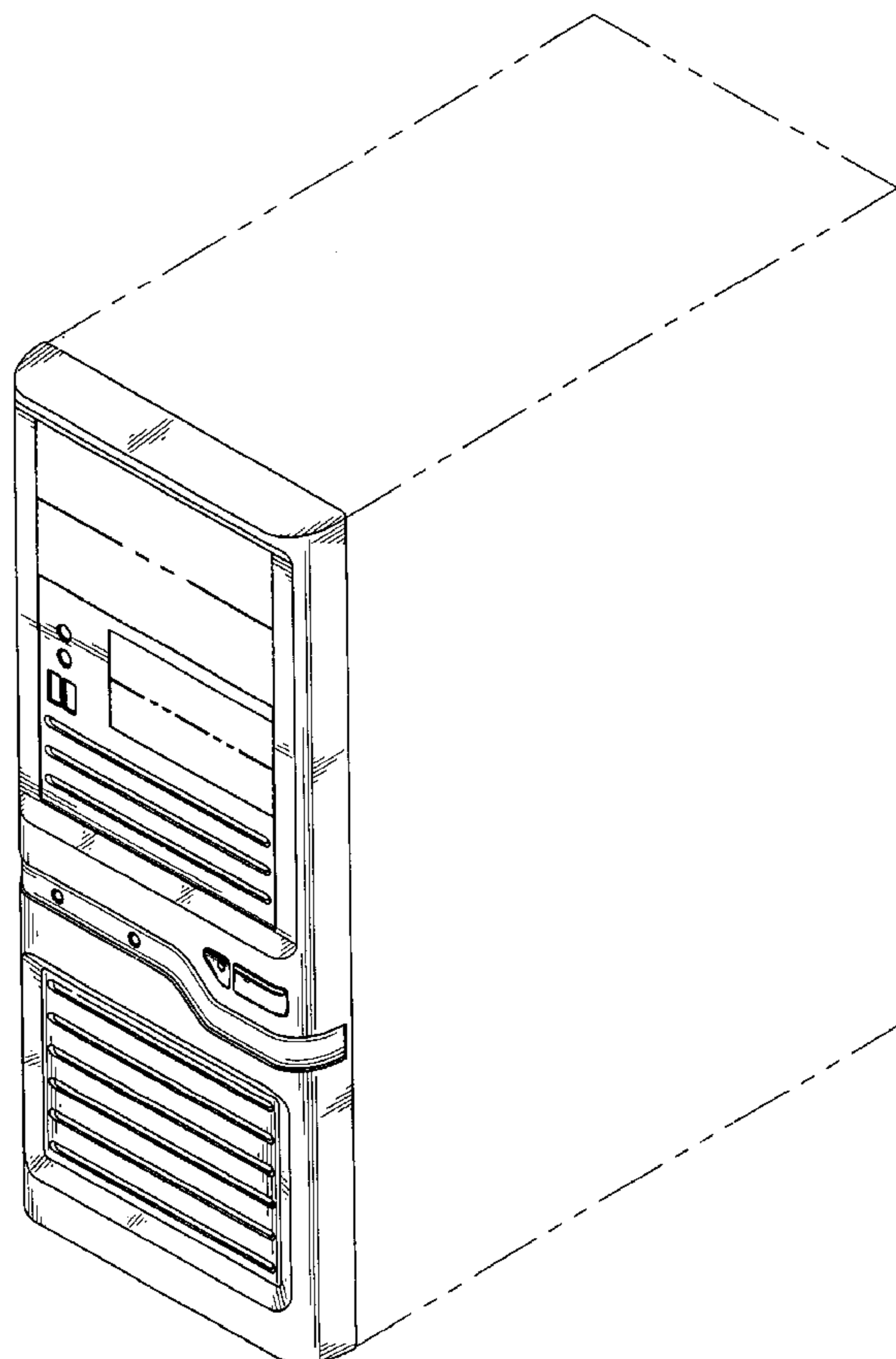
(58) **Field of Search** D14/441-446;
D13/162, 184, 199; 312/223.2; 361/680-686,
690-696

(56) **References Cited**

U.S. PATENT DOCUMENTS

6,000,769 A * 12/1999 Chen 312/223.2

1 Claim, 6 Drawing Sheets



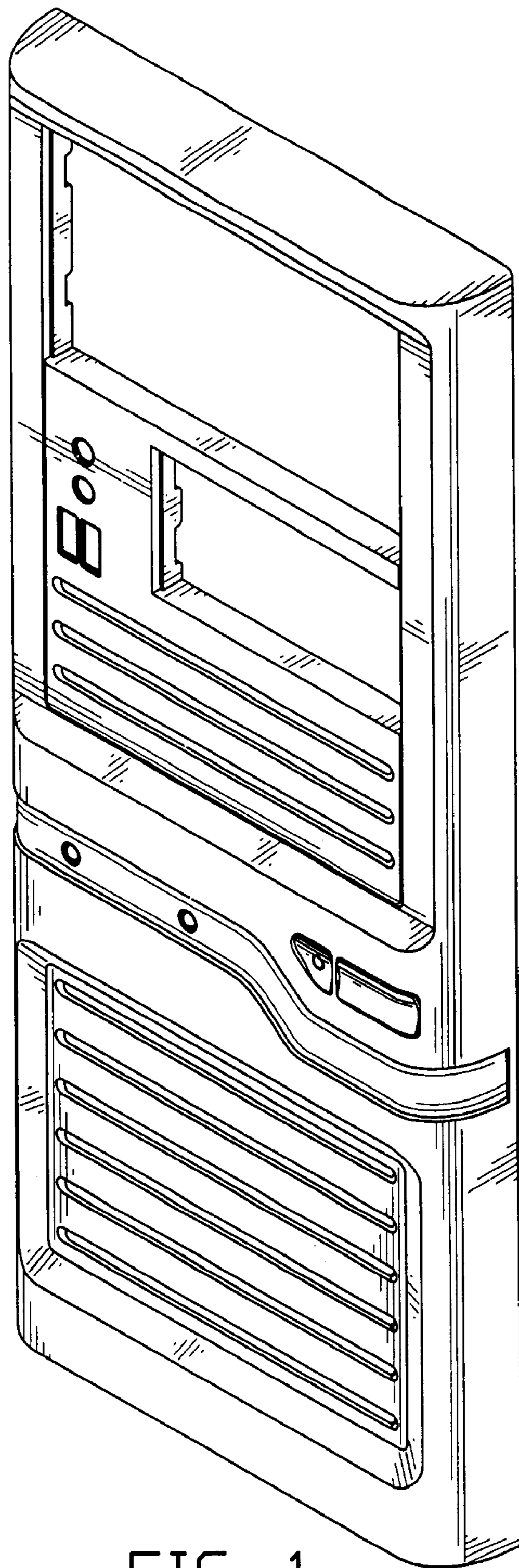


FIG. 1

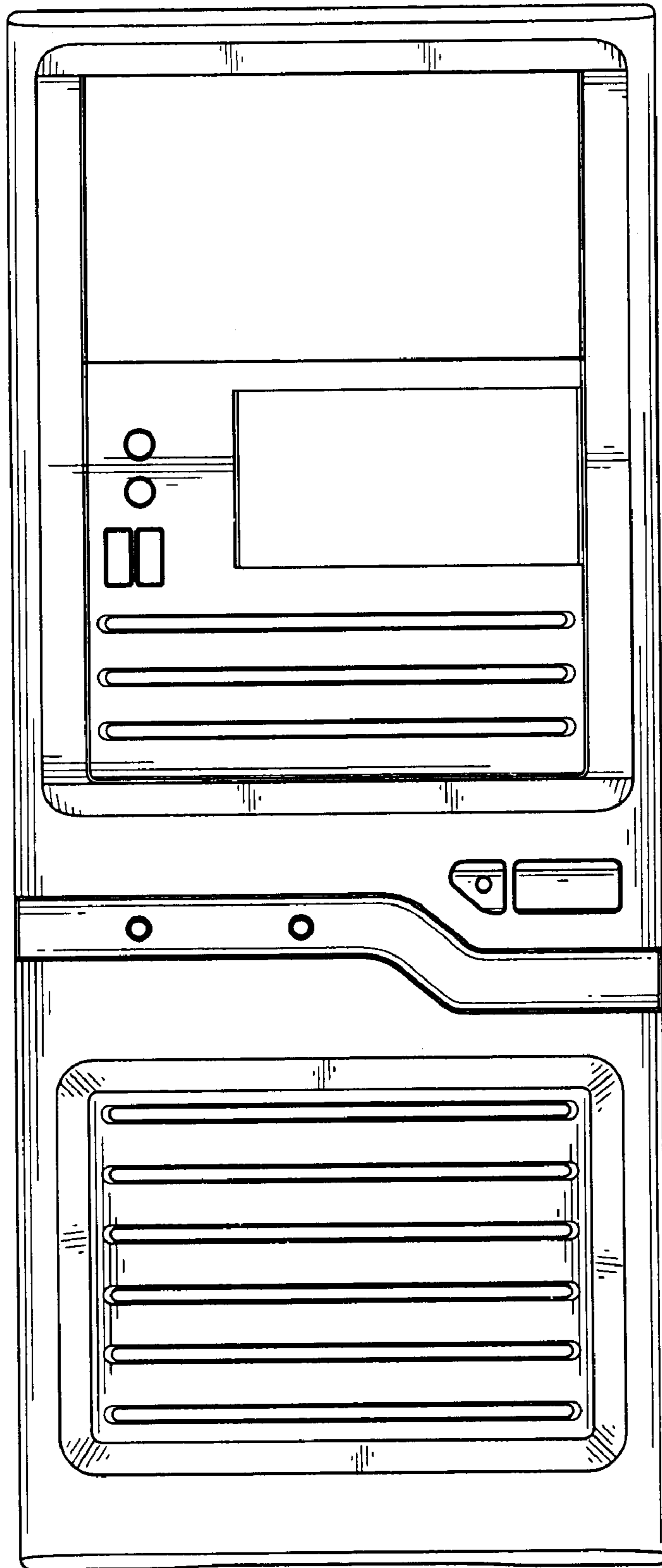


FIG. 2

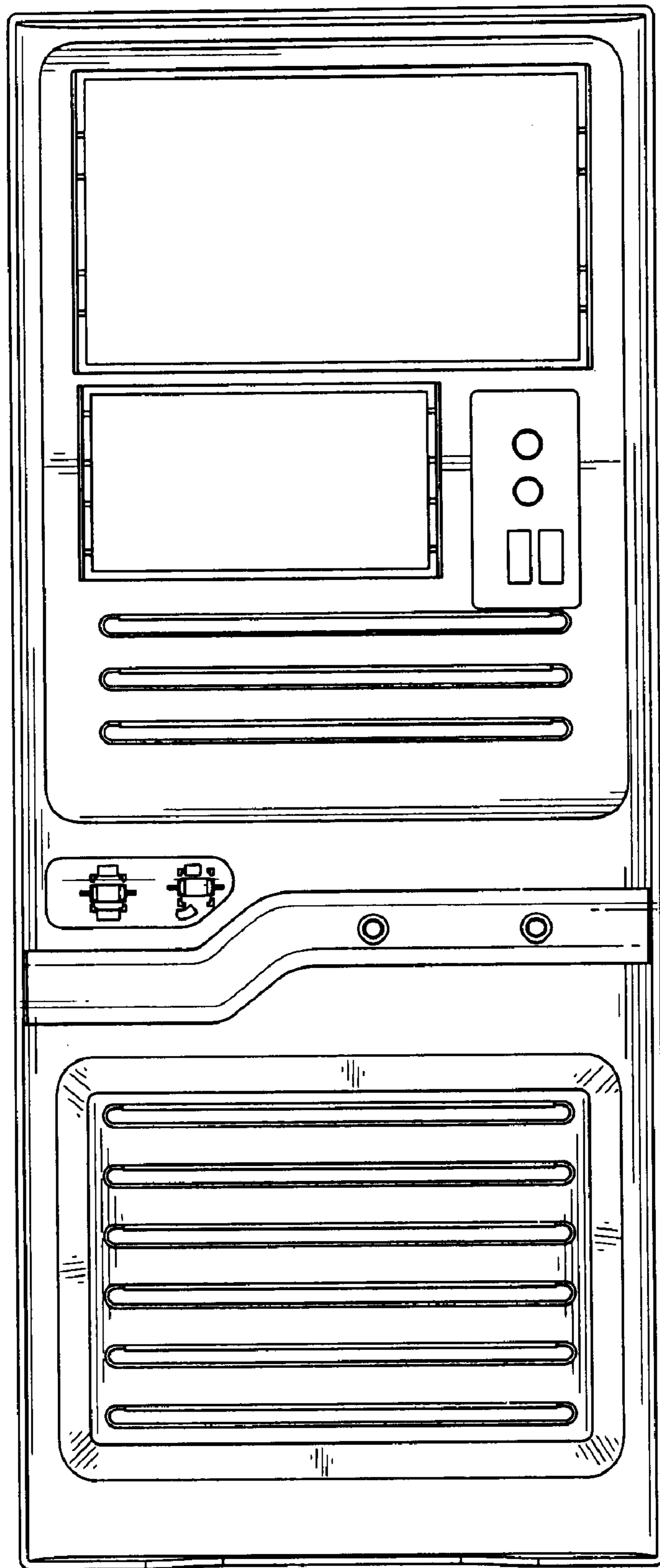


FIG. 3

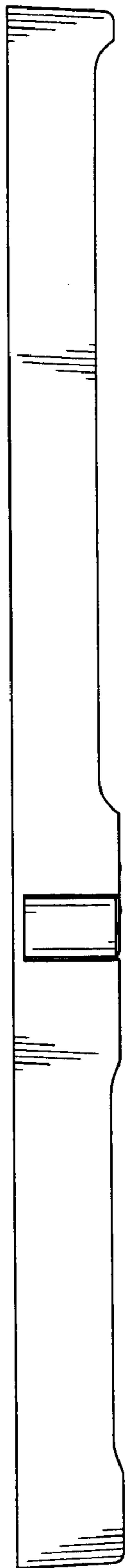


FIG. 4

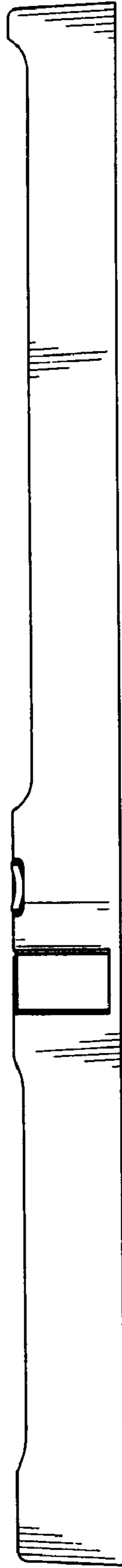


FIG. 5

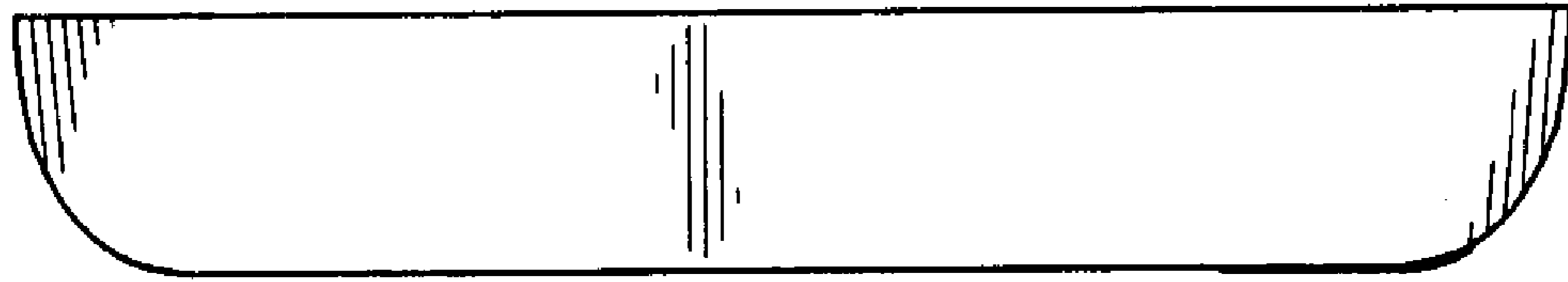


FIG. 6

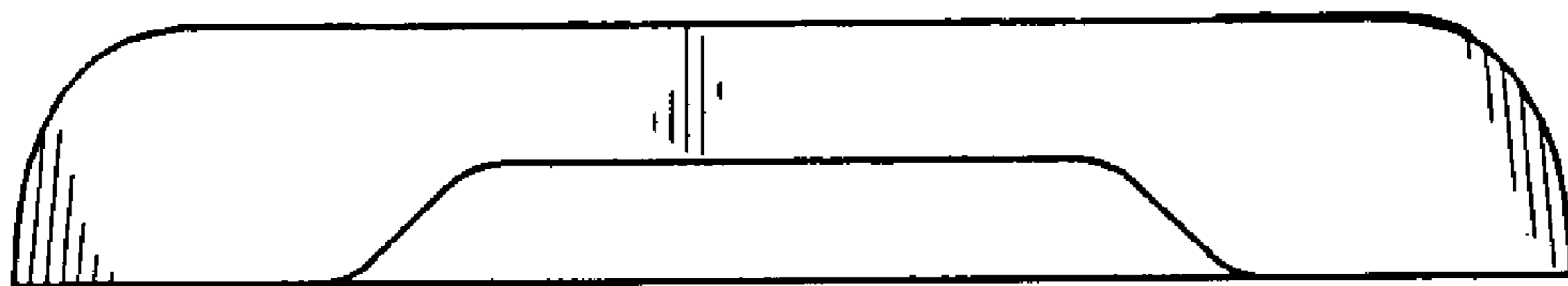


FIG. 7

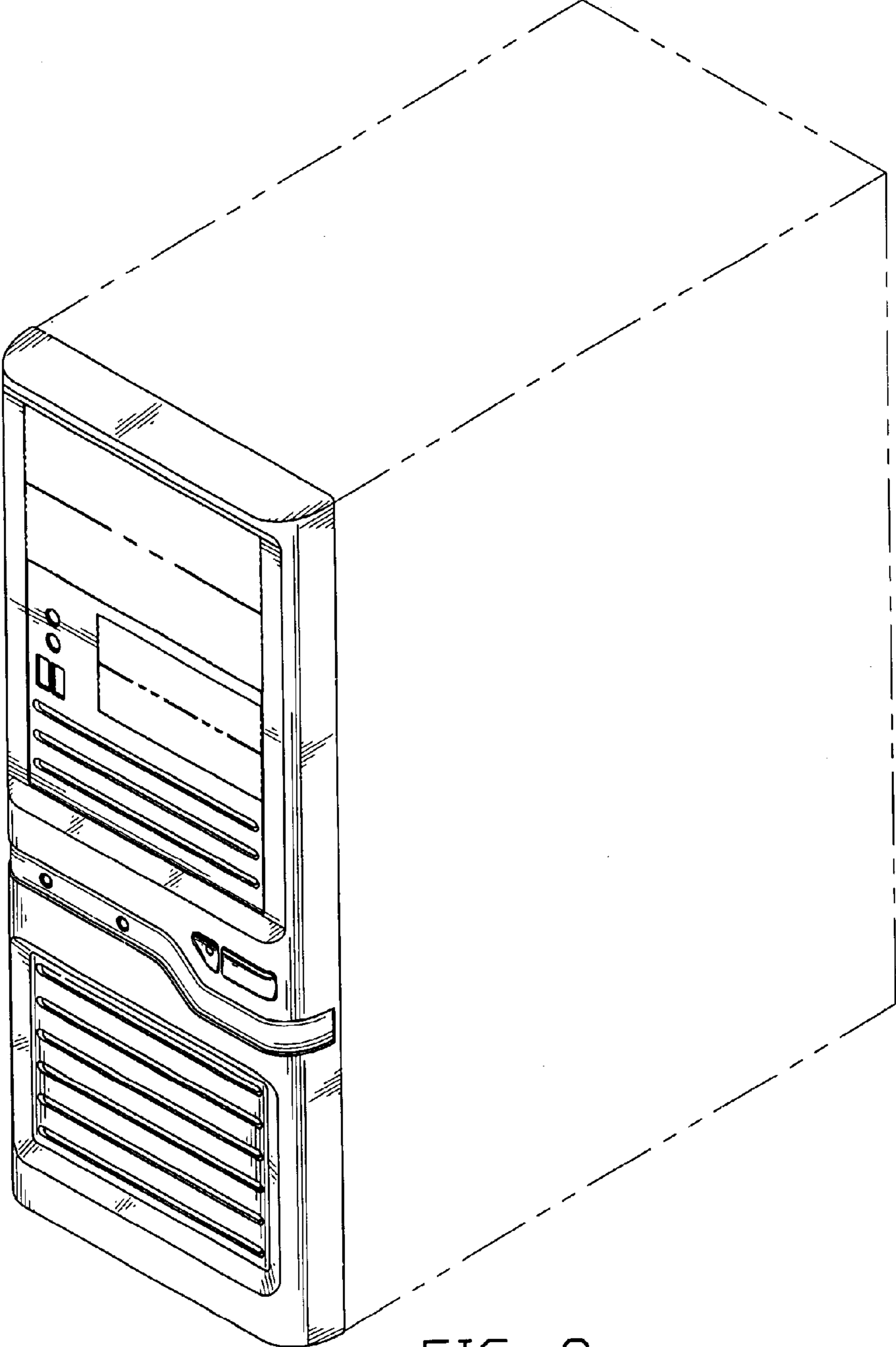


FIG. 8