

US00D506202S

(12) **United States Design Patent**
Xiao et al.

(10) **Patent No.: US D506,202 S**
(45) **Date of Patent: ** Jun. 14, 2005**

(54) **COMPUTER FRONT BEZEL**

D407,078 S * 3/1999 Fu D14/446
D442,602 S * 5/2001 Jean et al. D14/445

(75) Inventors: **Xin-Jian Xiao**, Shenzhen (CN);
Chun-Chi Liang, Tu-Cheng (TW);
Yun-Dong Xu, Shenzhen (CN)

* cited by examiner

(73) Assignee: **Hon Hai Precision Industry Co., LTD**, Tu-cheng (TW)

Primary Examiner—Freda S. Nunn
(74) *Attorney, Agent, or Firm*—Morris, Manning & Martin;
Tim Tingkang Xia, Esq.

(**) Term: **14 Years**

(57) **CLAIM**

(21) Appl. No.: **29/207,671**

The ornamental design for a computer front bezel, as shown and described.

(22) Filed: **Jun. 16, 2004**

DESCRIPTION

(30) **Foreign Application Priority Data**

Apr. 22, 2004 (CN) 200430039378X

FIG. 1 is a perspective view of a computer front bezel of our new design;

(51) **LOC (8) Cl.** **14-02**

FIG. 2 is a front elevational view thereof;

(52) **U.S. Cl.** **D14/445**

FIG. 3 is a rear elevational view thereof;

(58) **Field of Search** D14/441-446;
D13/162, 184, 199; 312/223.2; 361/680-686,
690-696

FIG. 4 is a left side elevational view thereof;

FIG. 5 is a right side elevational view thereof;

FIG. 6 is a top plan view thereof;

FIG. 7 is a bottom plan view thereof; and,

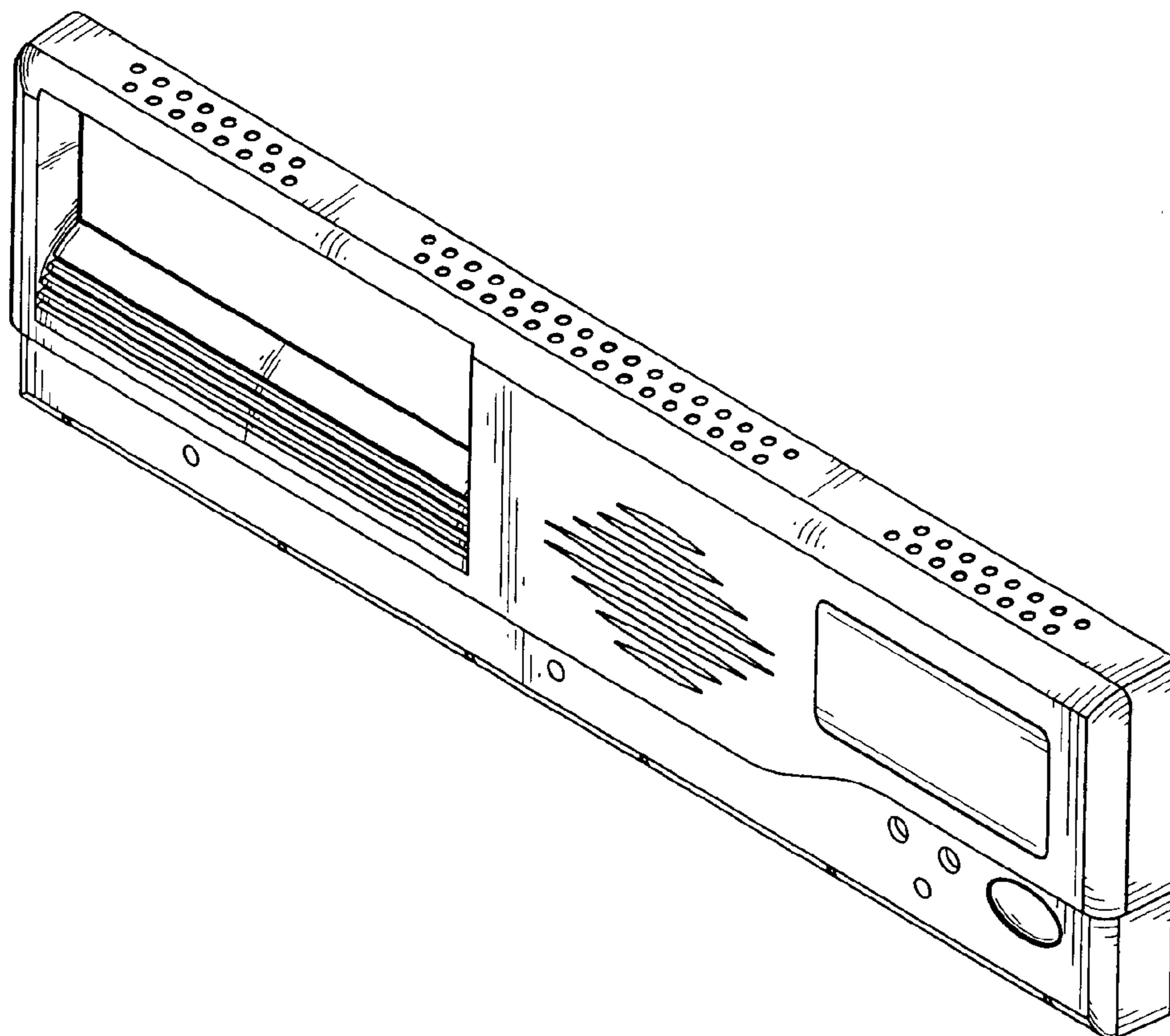
FIG. 8 is a perspective view thereof being mounted to a computer case and having a shield plate attached thereto, wherein the computer case and the front cover are shown in broken lines for illustrative purposes only and form no part of the claimed design.

(56) **References Cited**

U.S. PATENT DOCUMENTS

D314,568 S * 2/1991 Martin D14/445
D363,477 S * 10/1995 Tinsley et al. D14/445

1 Claim, 6 Drawing Sheets



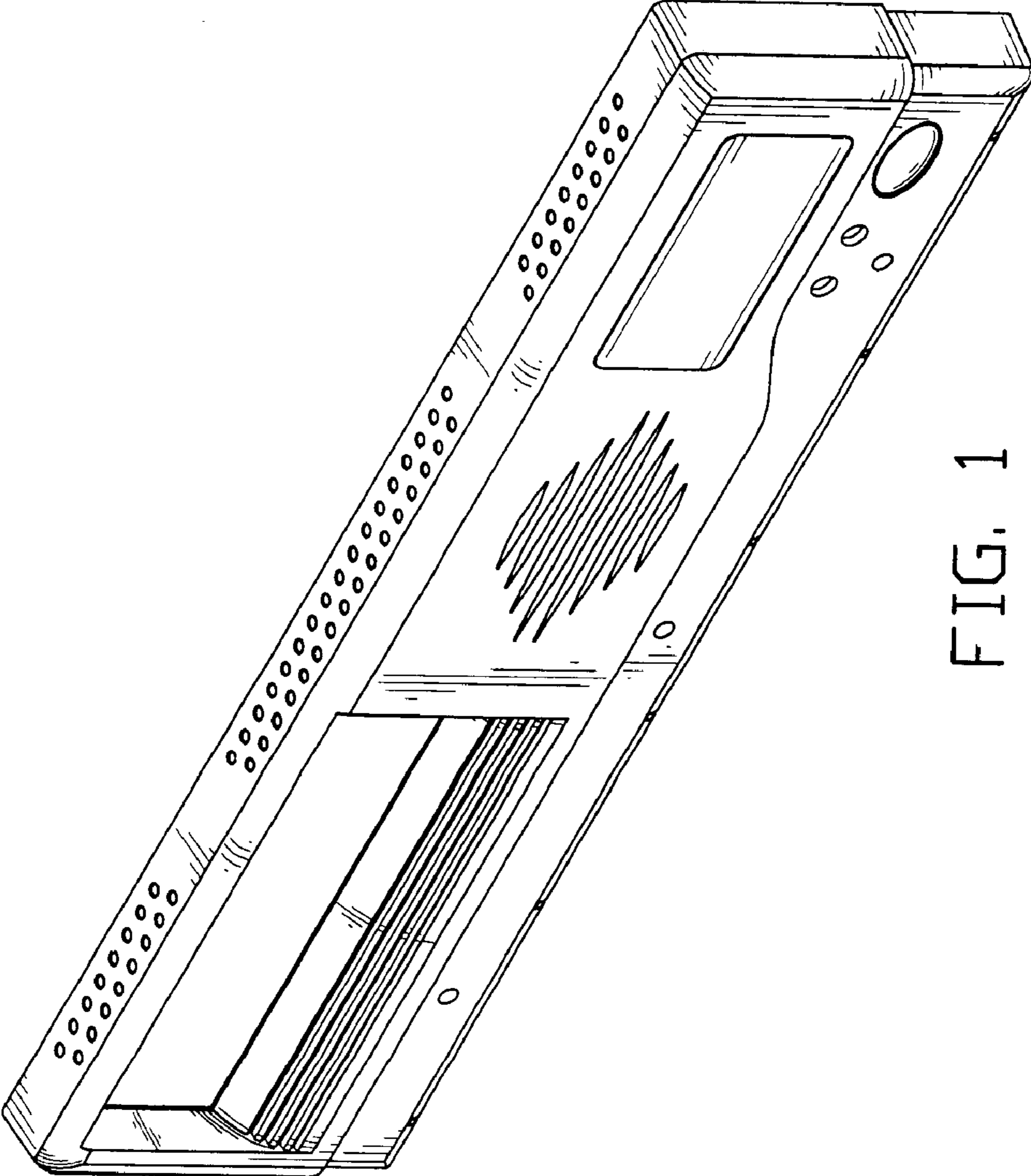


FIG. 1

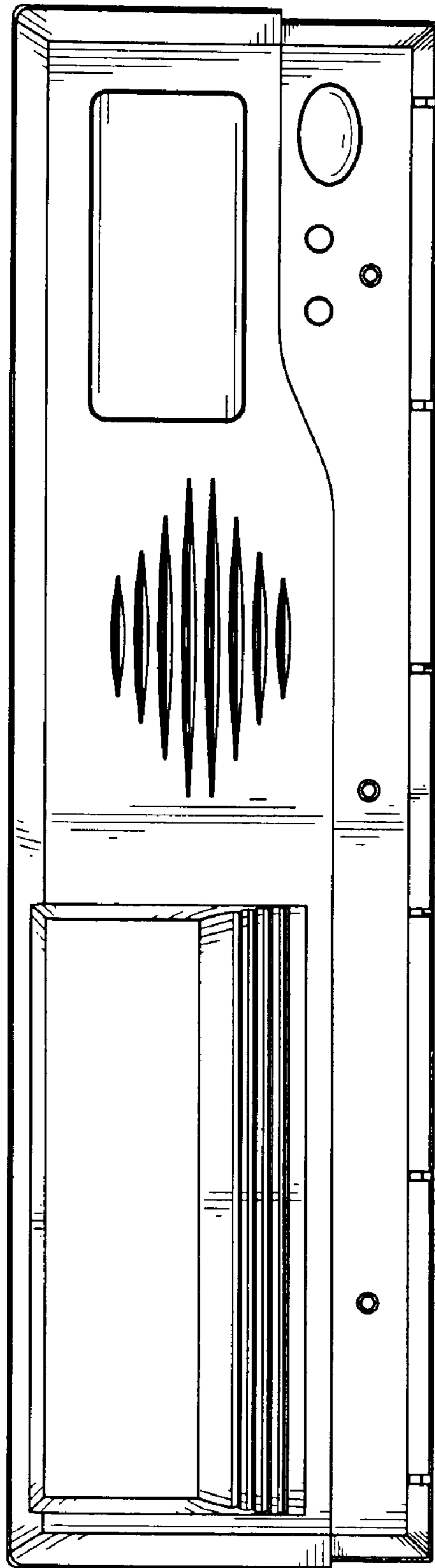


FIG. 2

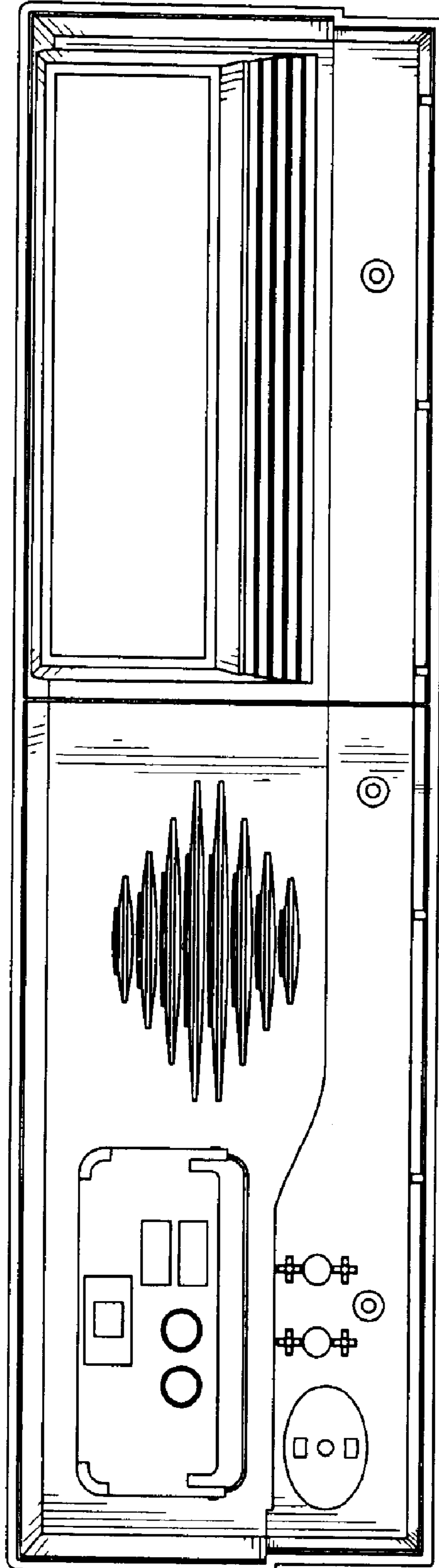


FIG. 3

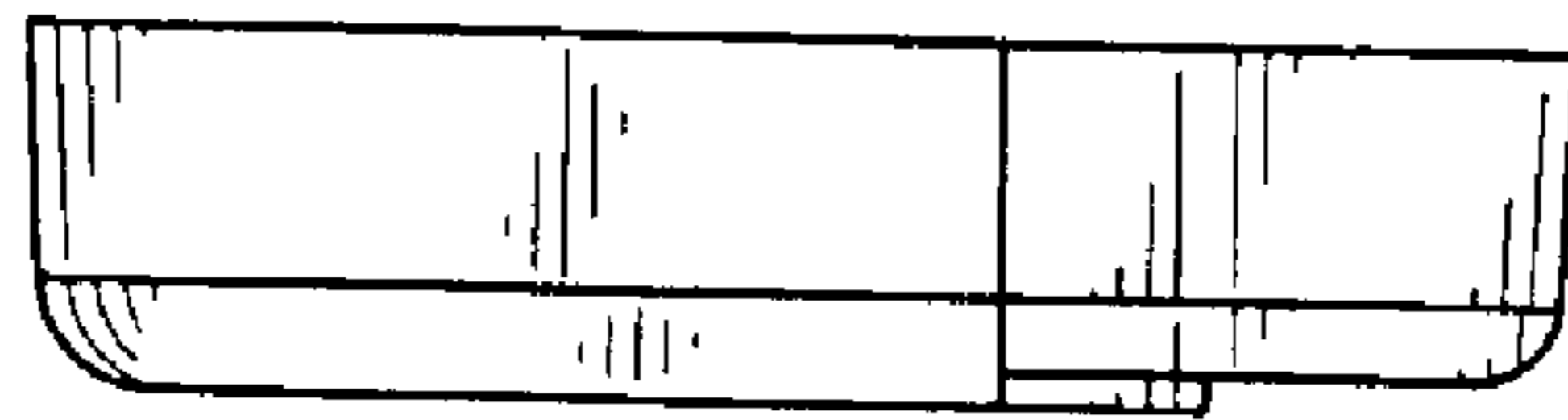


FIG. 5

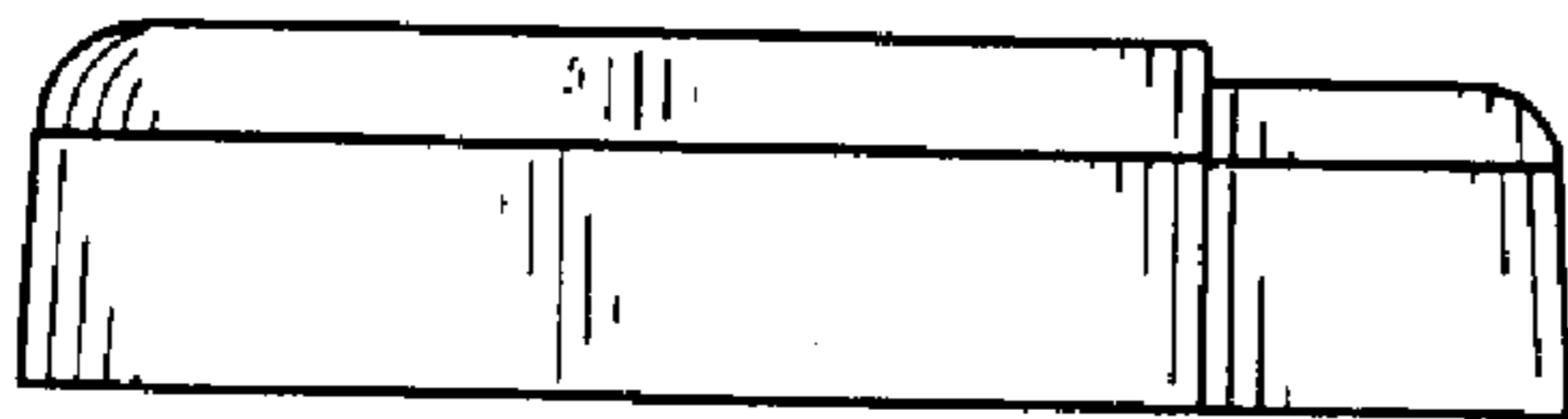


FIG. 4

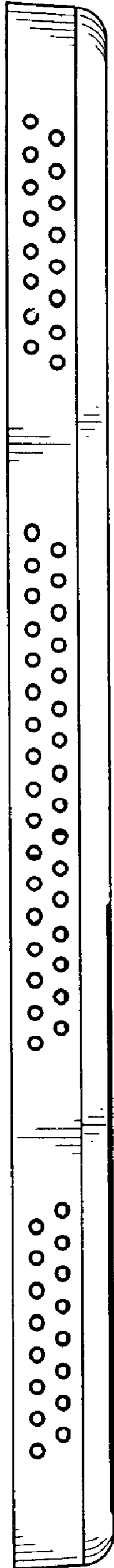


FIG. 6

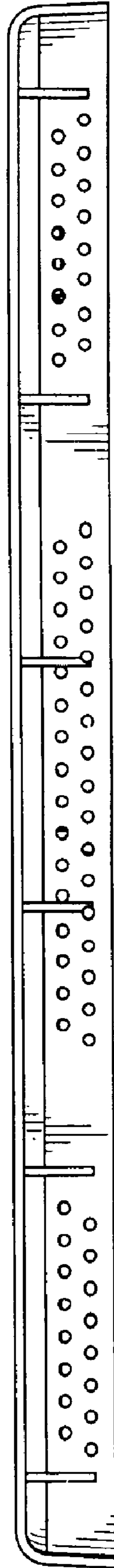


FIG. 7

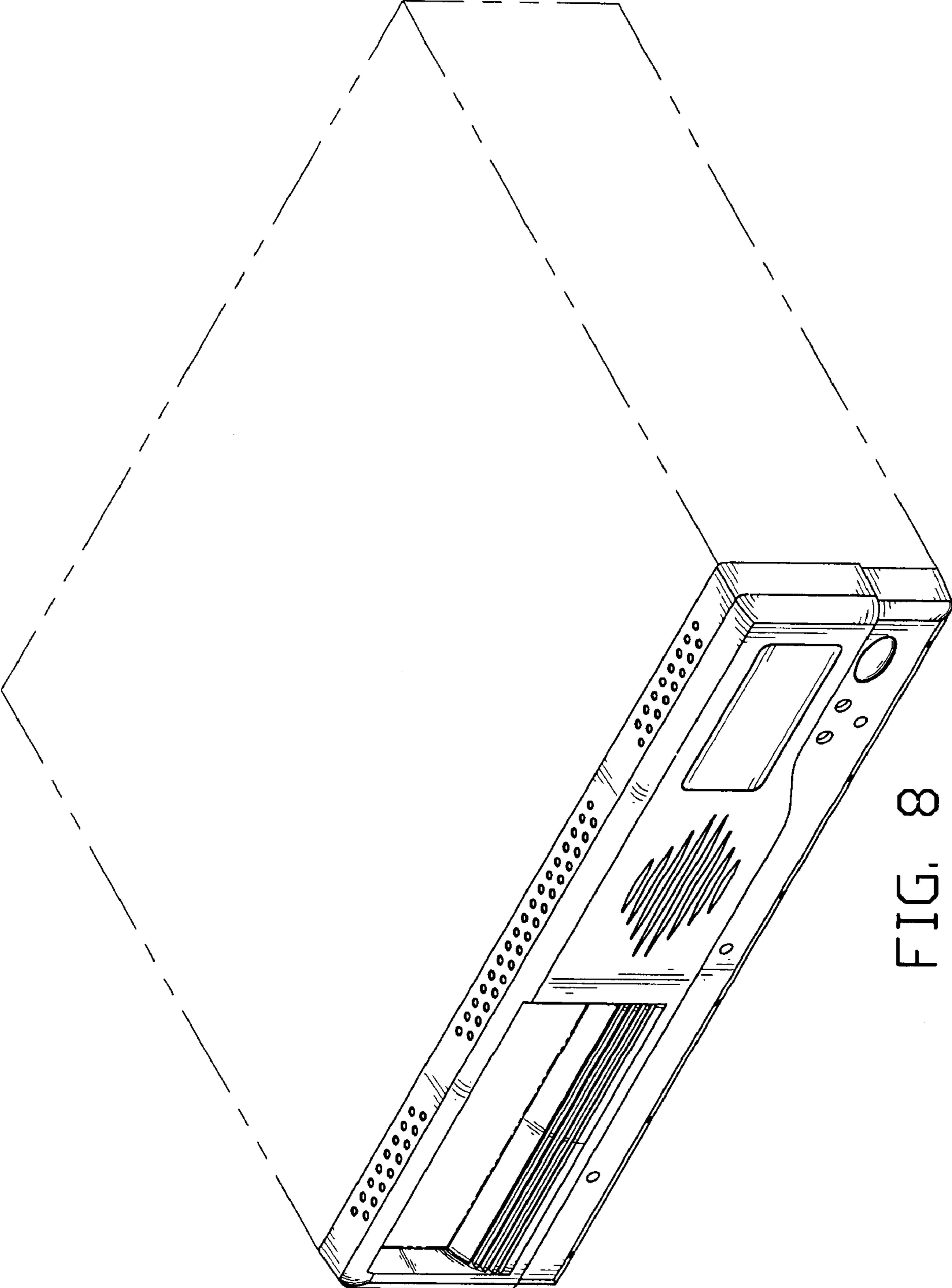


FIG. 8