

US00D506200S

(12) **United States Design Patent**
Shih

(10) **Patent No.:** **US D506,200 S**
(45) **Date of Patent:** **** Jun. 14, 2005**

(54) **MINI SECURE DIGITAL CARD CONNECTOR**

D483,372 S * 12/2003 Watanabe et al. D14/433
D485,807 S * 1/2004 Kao et al. D13/133
D488,815 S * 4/2004 Hashimoto et al. D14/433
D489,725 S * 5/2004 Hu et al. D14/433

(75) Inventor: **Hsien-Kuang Shih**, Taoyuan (TW)

* cited by examiner

(73) Assignee: **P-Two Industries Inc.**, Taoyuan (TW)

Primary Examiner—M. H. Tung

(**) Term: **14 Years**

(57) **CLAIM**

(21) Appl. No.: **29/198,503**

The ornamental design for mini secure digital card connector, as shown and described.

(22) Filed: **Feb. 2, 2004**

(30) **Foreign Application Priority Data**

DESCRIPTION

Nov. 17, 2003 (TW) 92306930

(51) **LOC (8) Cl.** **14-02**

(52) **U.S. Cl.** **D14/433**; D14/436

(58) **Field of Search** D14/432, 433,
D14/434-8; 439/159-60, 607-10; 369/291-2;
D13/146-7

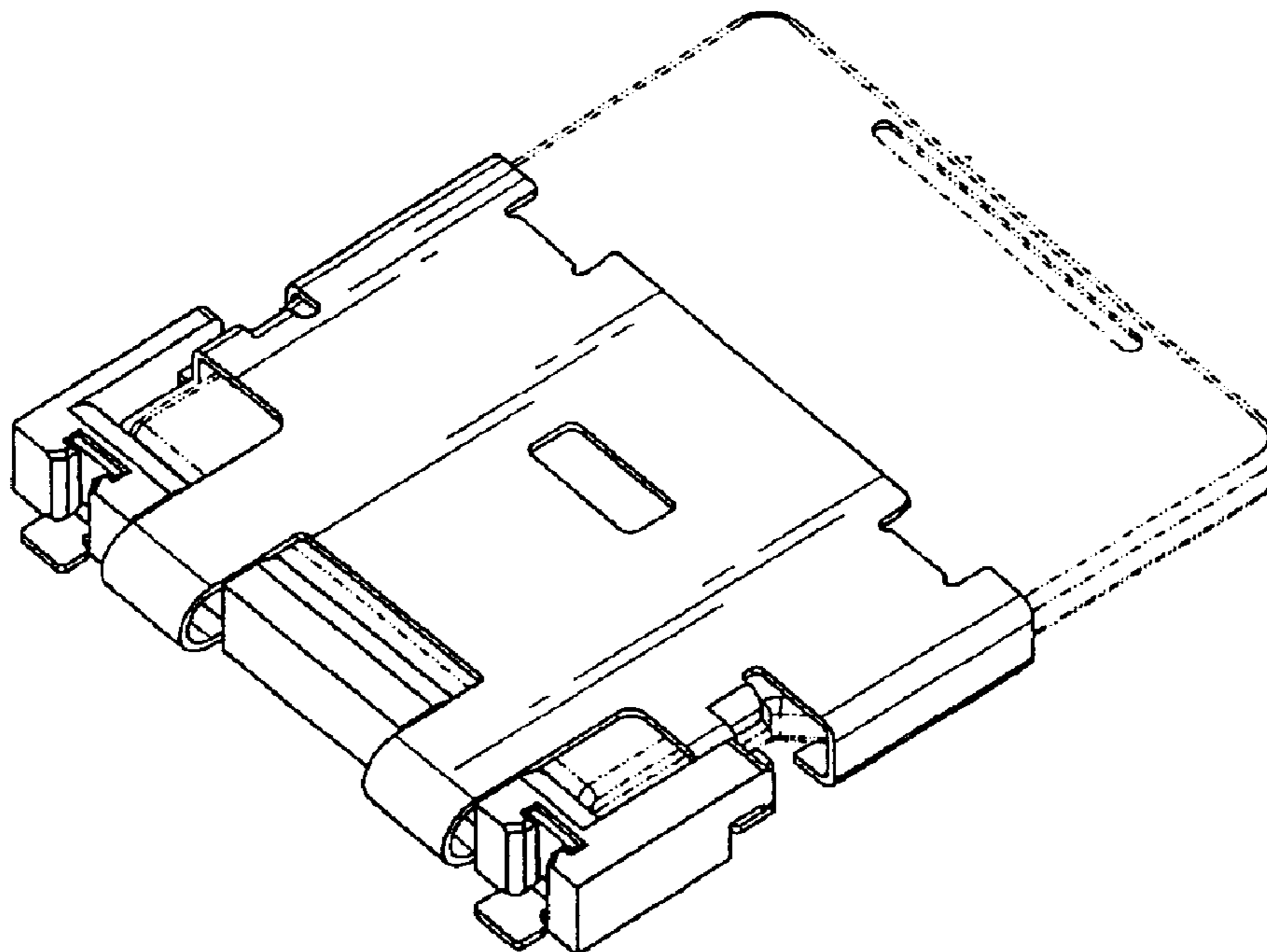
FIG. 1 is a perspective view thereof;
FIG. 2 is a front view thereof;
FIG. 3 is a back view thereof;
FIG. 4 is a left side view thereof;
FIG. 5 is a right side view thereof;
FIG. 6 is a top view thereof;
FIG. 7 is a bottom view thereof; and,
FIG. 8 is a perspective view thereof, on a reduced scale.
The broken line drawing of a digital card in FIG. 8 is for illustrative purposes only and forms no part of the claimed design.

(56) **References Cited**

U.S. PATENT DOCUMENTS

D469,772 S * 2/2003 Nishio et al. D14/433
D470,148 S * 2/2003 Nishio et al. D14/433

1 Claim, 5 Drawing Sheets



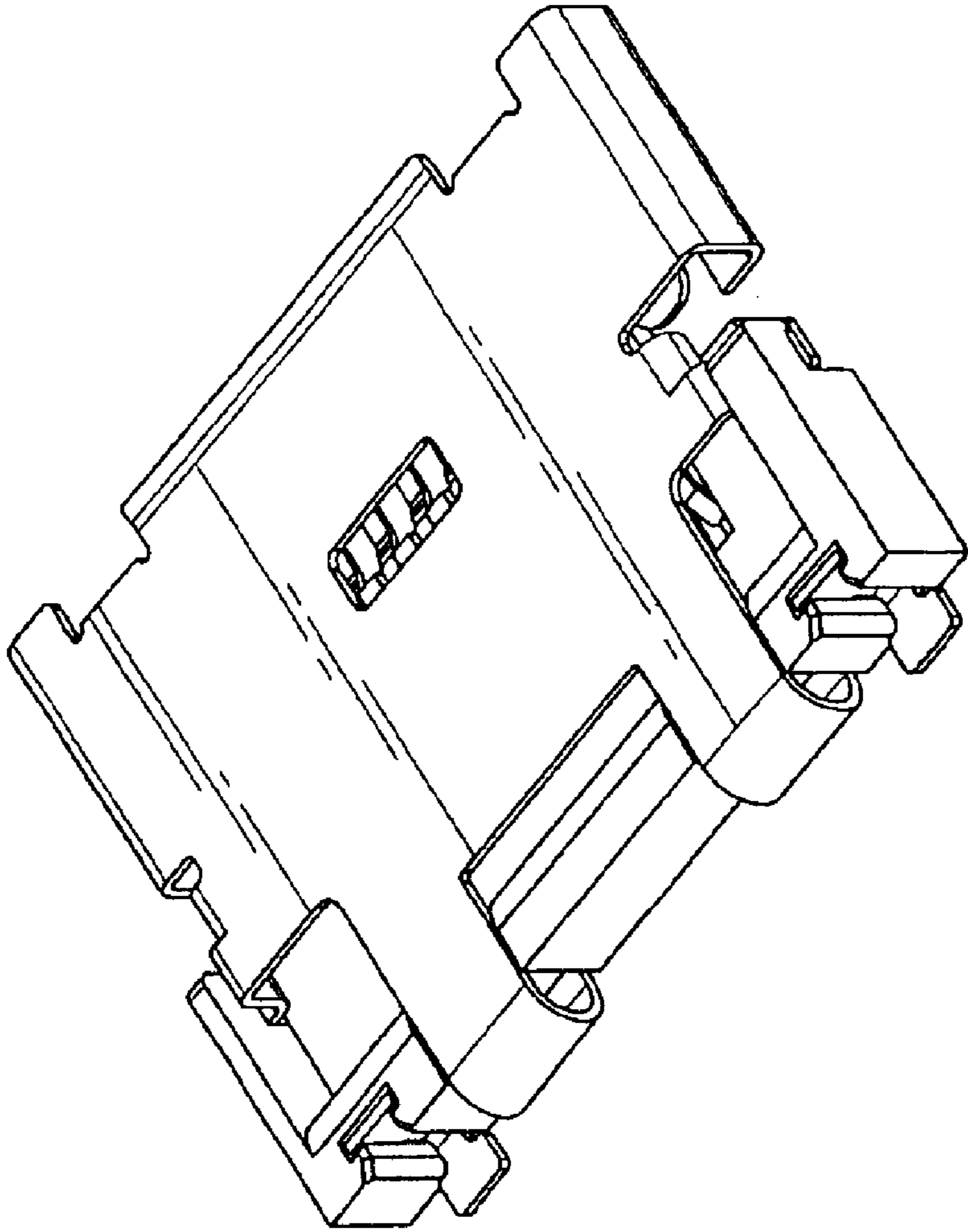


FIG. 1



FIG. 2



FIG. 3

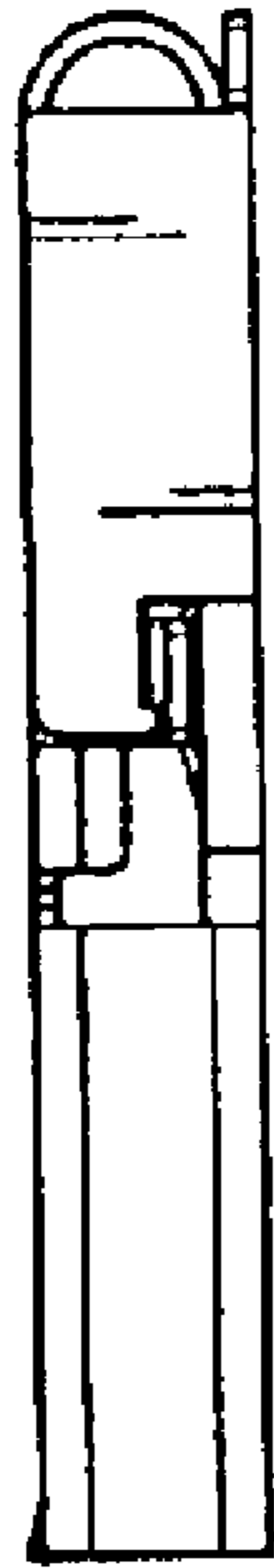
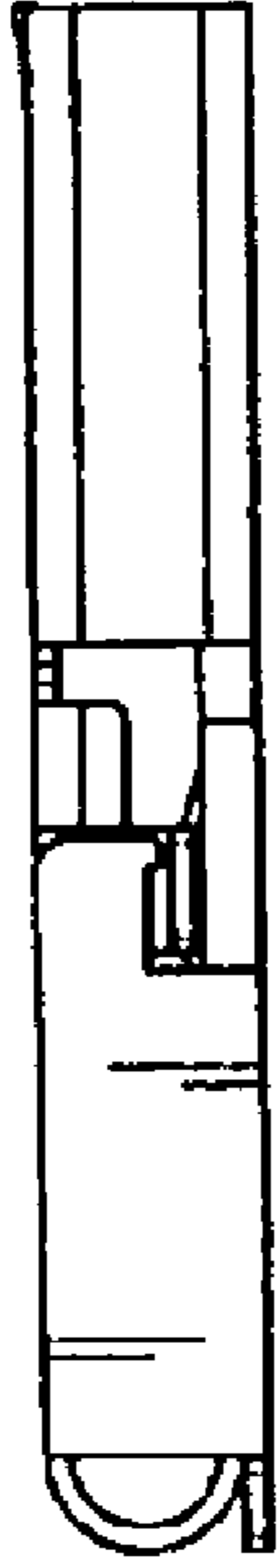


FIG. 4

FIG. 5

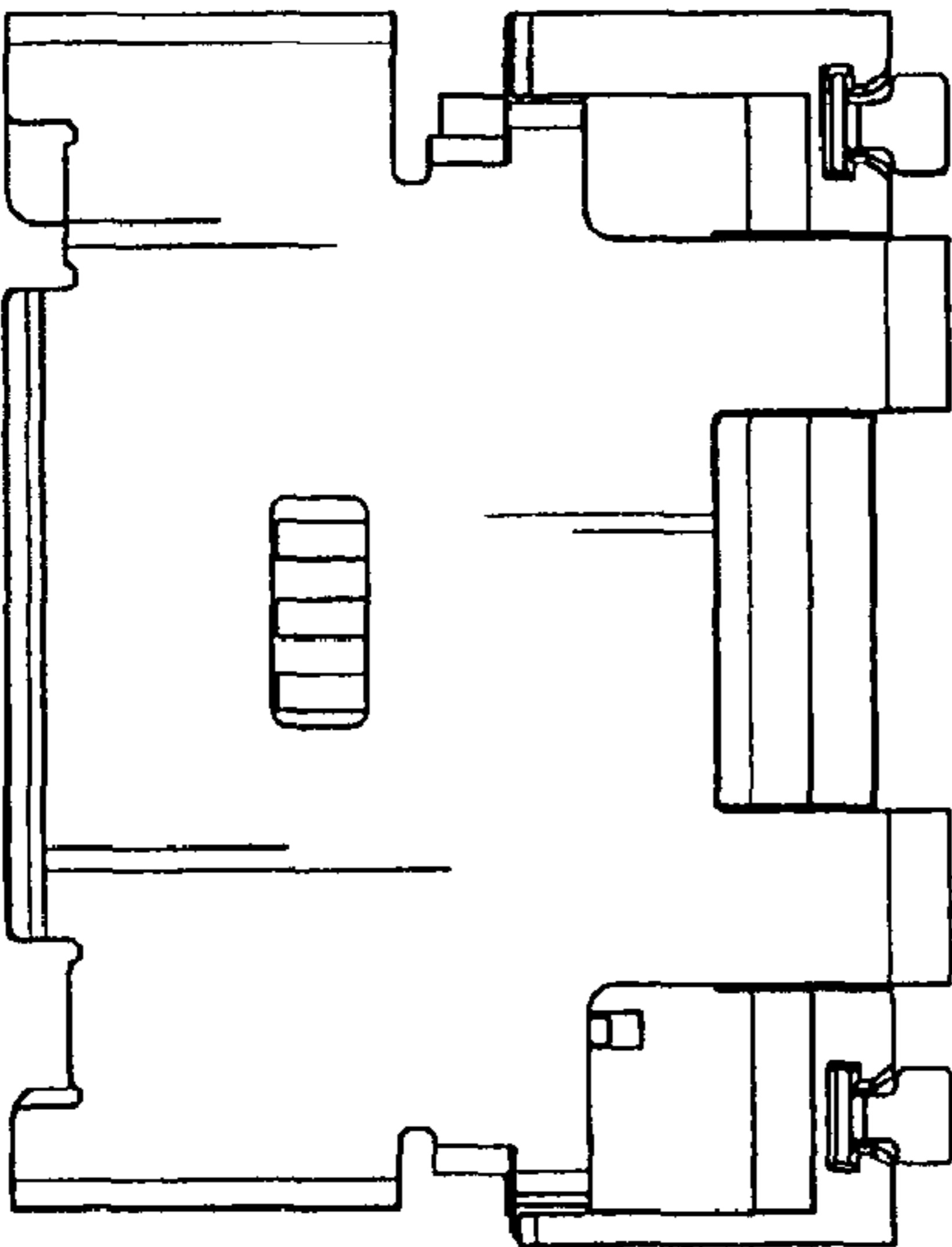


FIG. 6

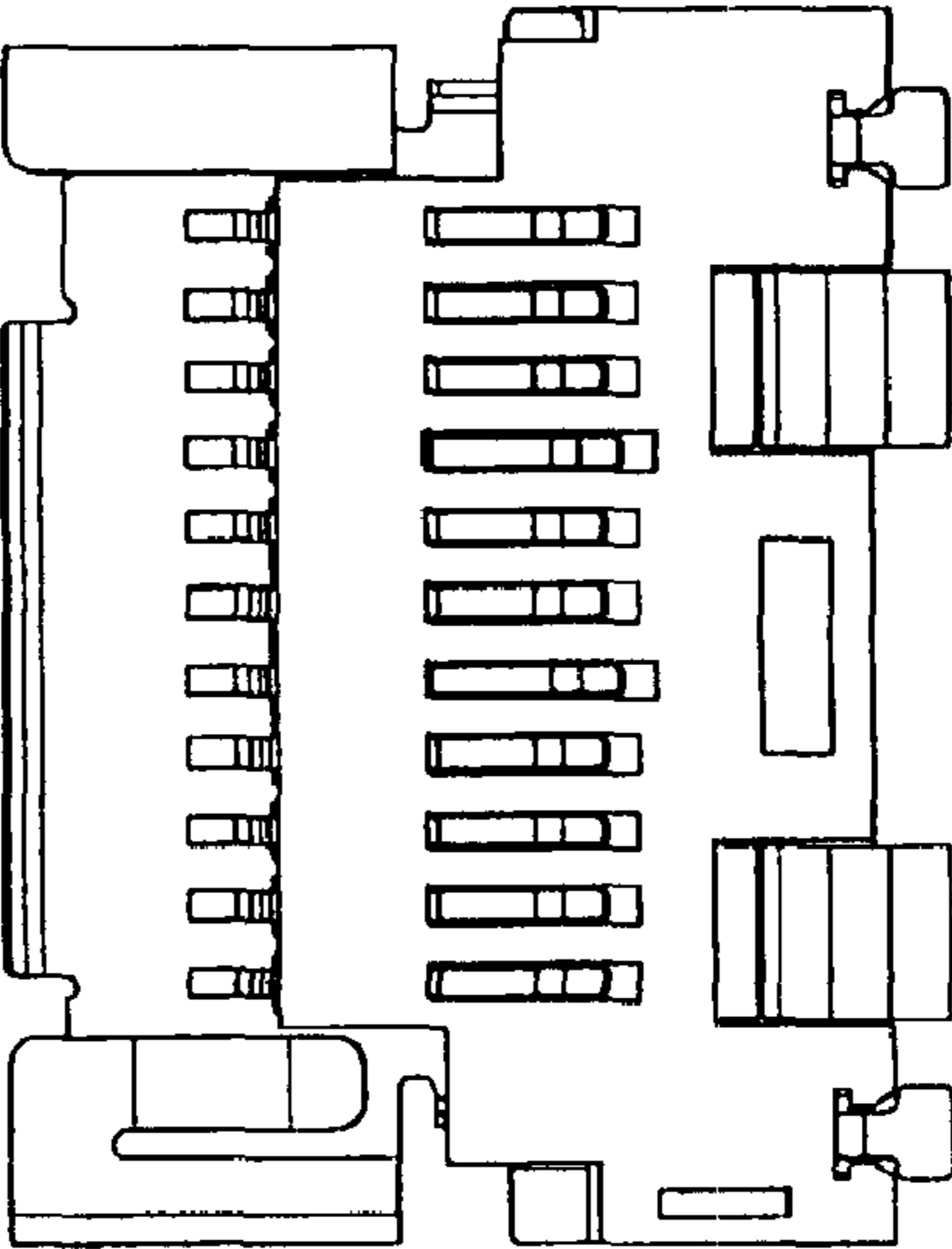


FIG. 7

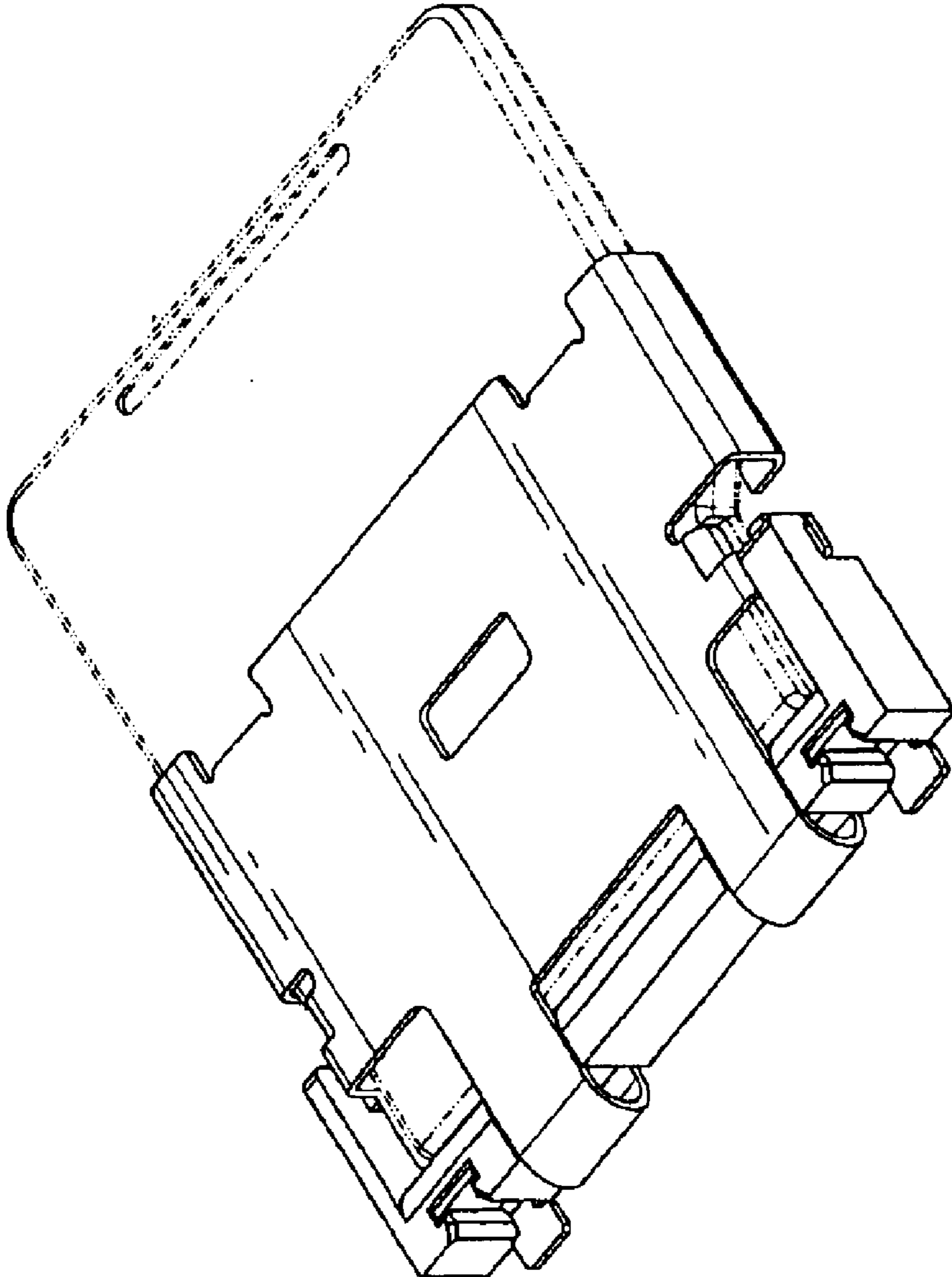


FIG. 8