

US00D506199S

(12) **United States Design Patent**
Huang et al.

(10) **Patent No.: US D506,199 S**
(45) **Date of Patent: ** Jun. 14, 2005**

(54) **PRESENTATION MOUSE**

(75) Inventors: **Hsun-Li Huang**, Hsinchu (TW);
Chun-Hsiung Yin, Tainan (TW)

(73) Assignee: **Benq Corporation**, Taoyuan Shien
(TW)

(**) Term: **14 Years**

(21) Appl. No.: **29/207,958**

(22) Filed: **Jun. 21, 2004**

(51) **LOC (8) Cl.** **14-02**

(52) **U.S. Cl.** **D14/408; D14/402**

(58) **Field of Search** D14/402-411,
D14/454, 432-434, 240; 345/156-167;
74/471 XY; 273/148 B; 200/5 R, 5 A, 6 R,
6 A; 463/36-38

(56) **References Cited**

U.S. PATENT DOCUMENTS

D301,142 S	*	5/1989	Chu	D14/407
D314,194 S	*	1/1991	Norris	D14/402
D331,231 S	*	11/1992	Yang	D14/410
D373,122 S	*	8/1996	Lo	D14/409
D440,971 S	*	4/2001	Gombert	D14/402

6,590,563 B1 * 7/2003 Oross et al. 345/163

* cited by examiner

Primary Examiner—Pamela Burgess

(74) *Attorney, Agent, or Firm*—Thomas, Kayden,
Horstemeyer & Risley

(57) **CLAIM**

The ornamental design for a presentation mouse, as shown
and described.

DESCRIPTION

FIG. 1 is a perspective view of a presentation mouse
showing our new design;

FIG. 2 is a front elevational view thereof;

FIG. 3 is a left side elevational view thereof;

FIG. 4 is a right side elevational view thereof;

FIG. 5 is a top plan view thereof;

FIG. 6 is a bottom plan view thereof;

FIG. 7 is a rear elevational view thereof;

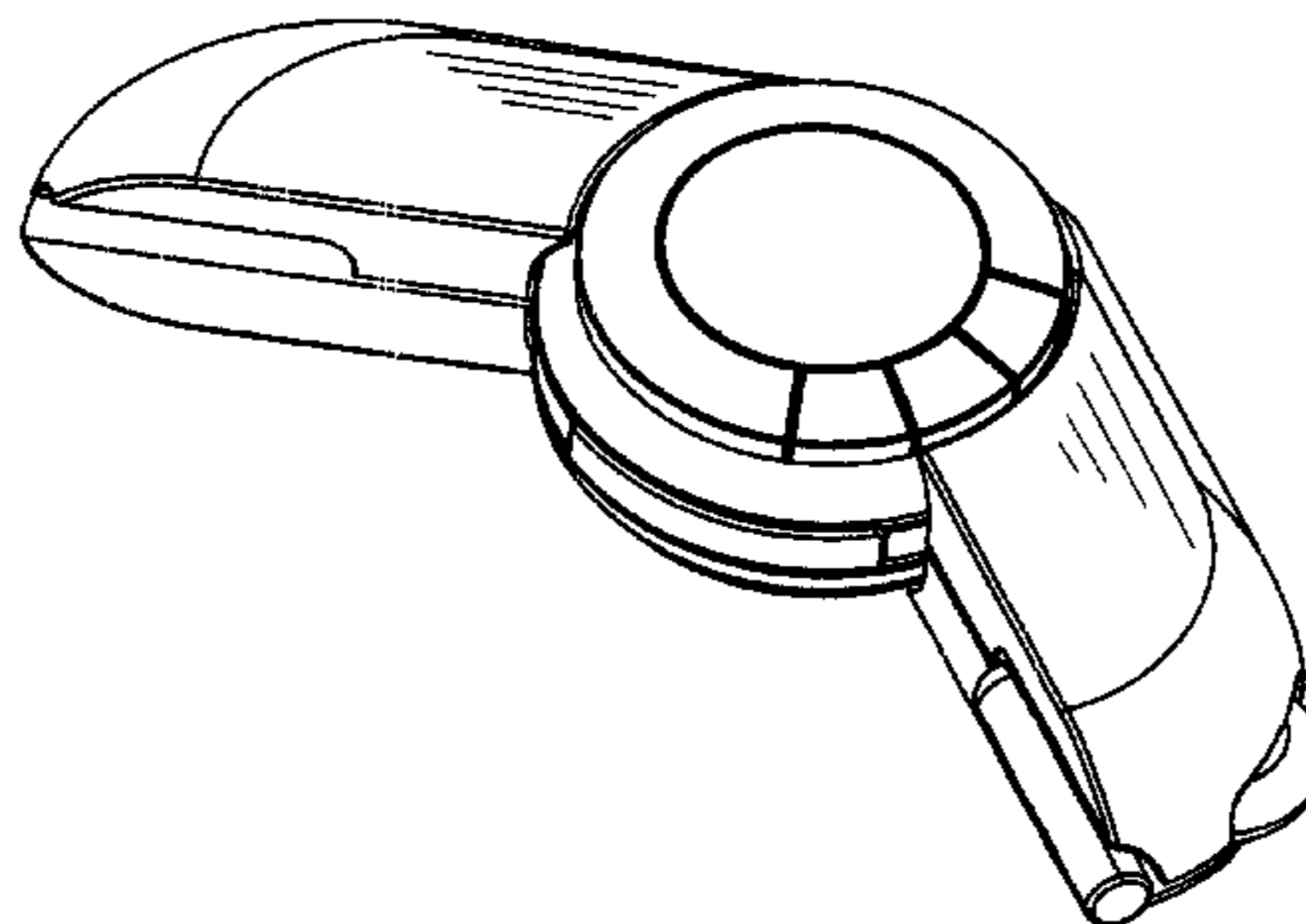
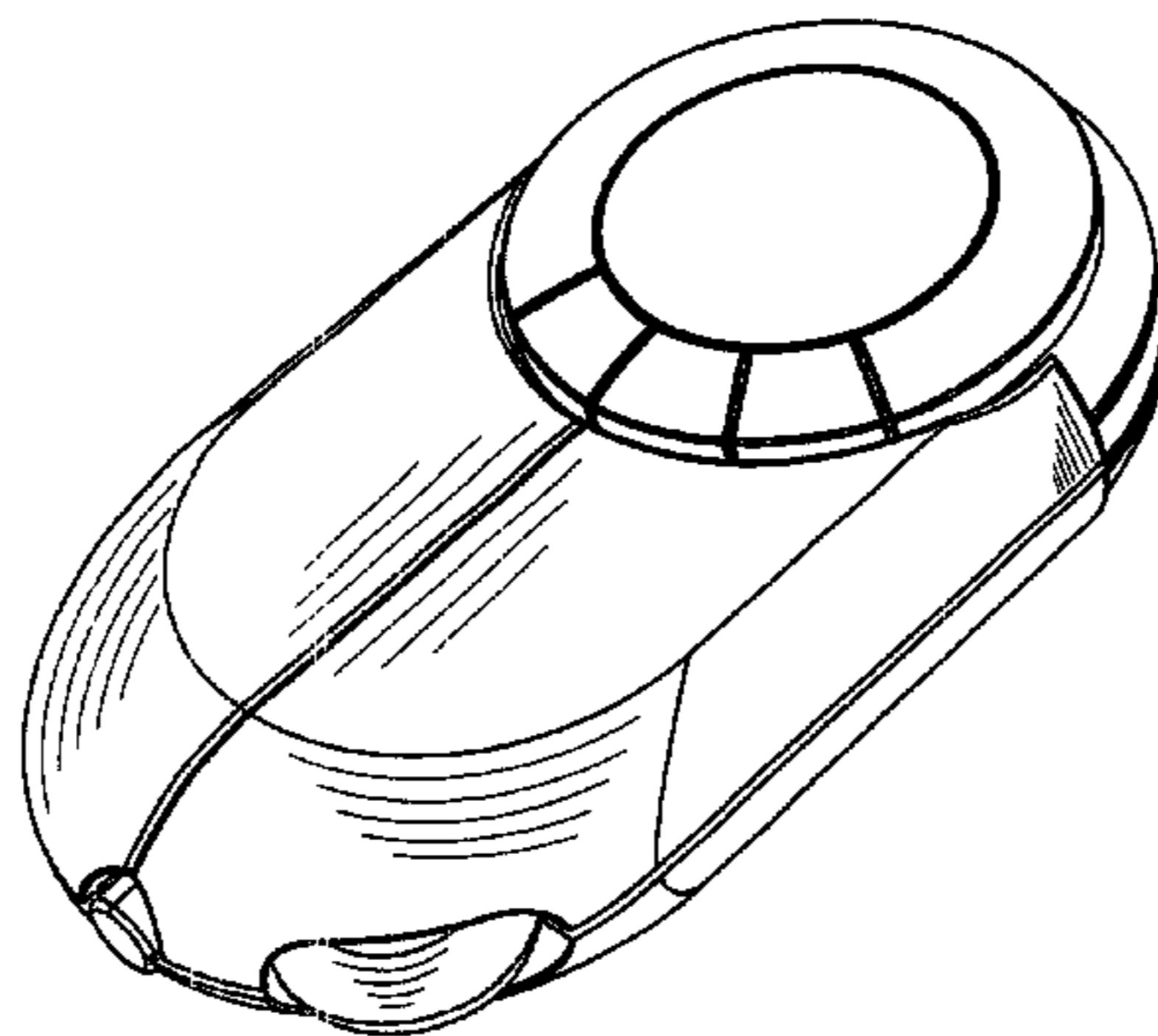
FIG. 8 is a perspective view thereof in use;

FIG. 9 is a perspective view thereof with mouse buttons in
the spread position; and,

FIG. 10 is a perspective view thereof with mouse buttons in
the spread position and in use.

The hand shown in broken lines is for illustrative purposes
only, and forms no part of the claimed design.

1 Claim, 5 Drawing Sheets



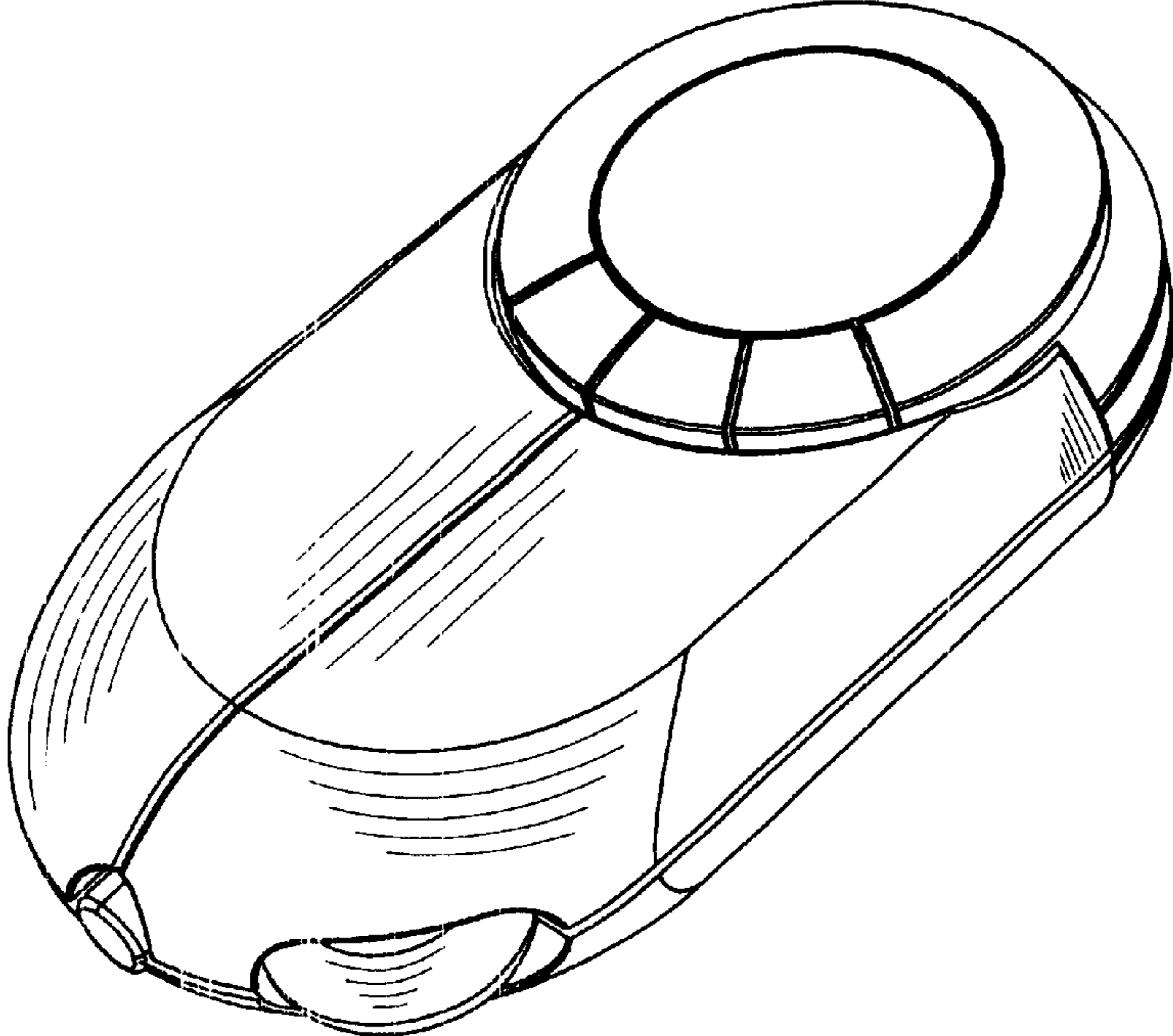


FIG. 1



FIG. 2

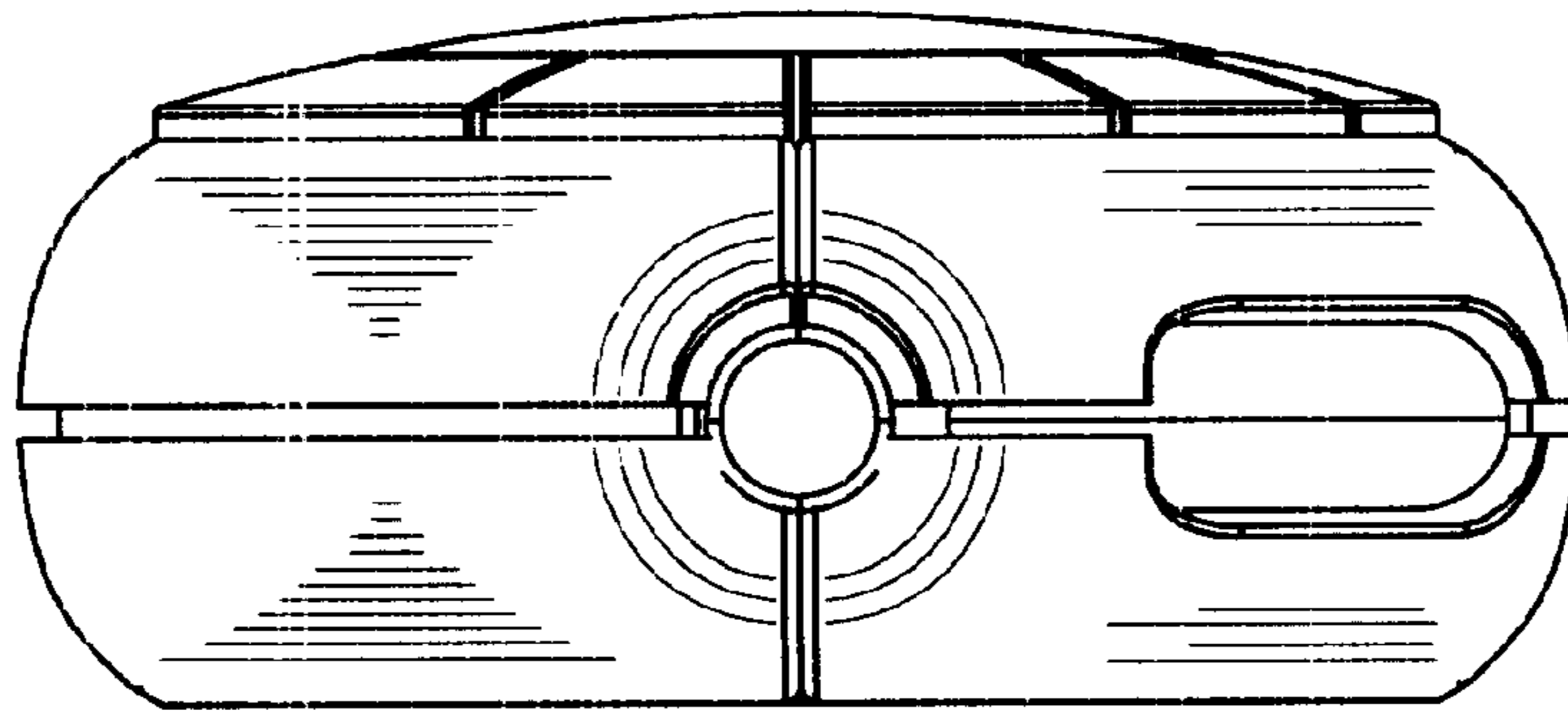


FIG. 3

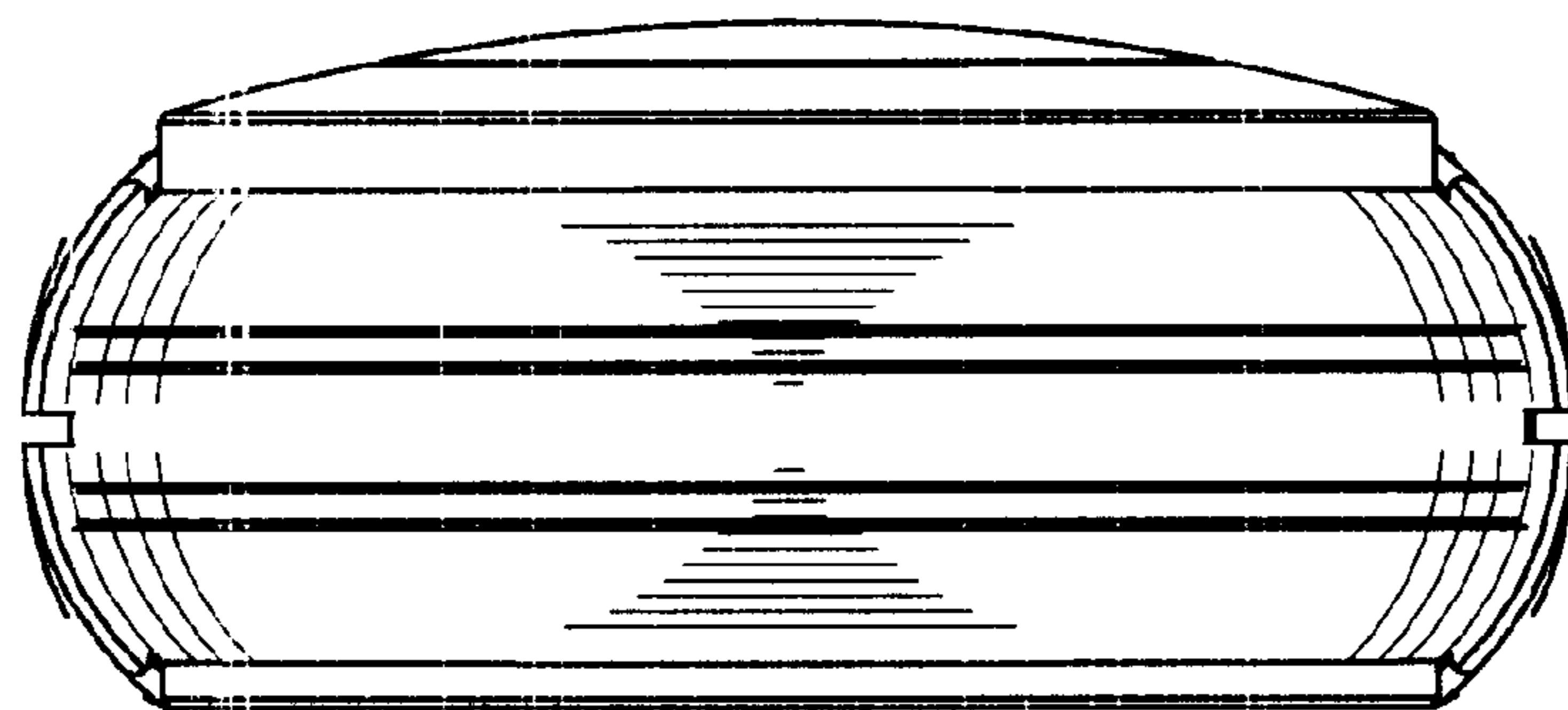


FIG. 4

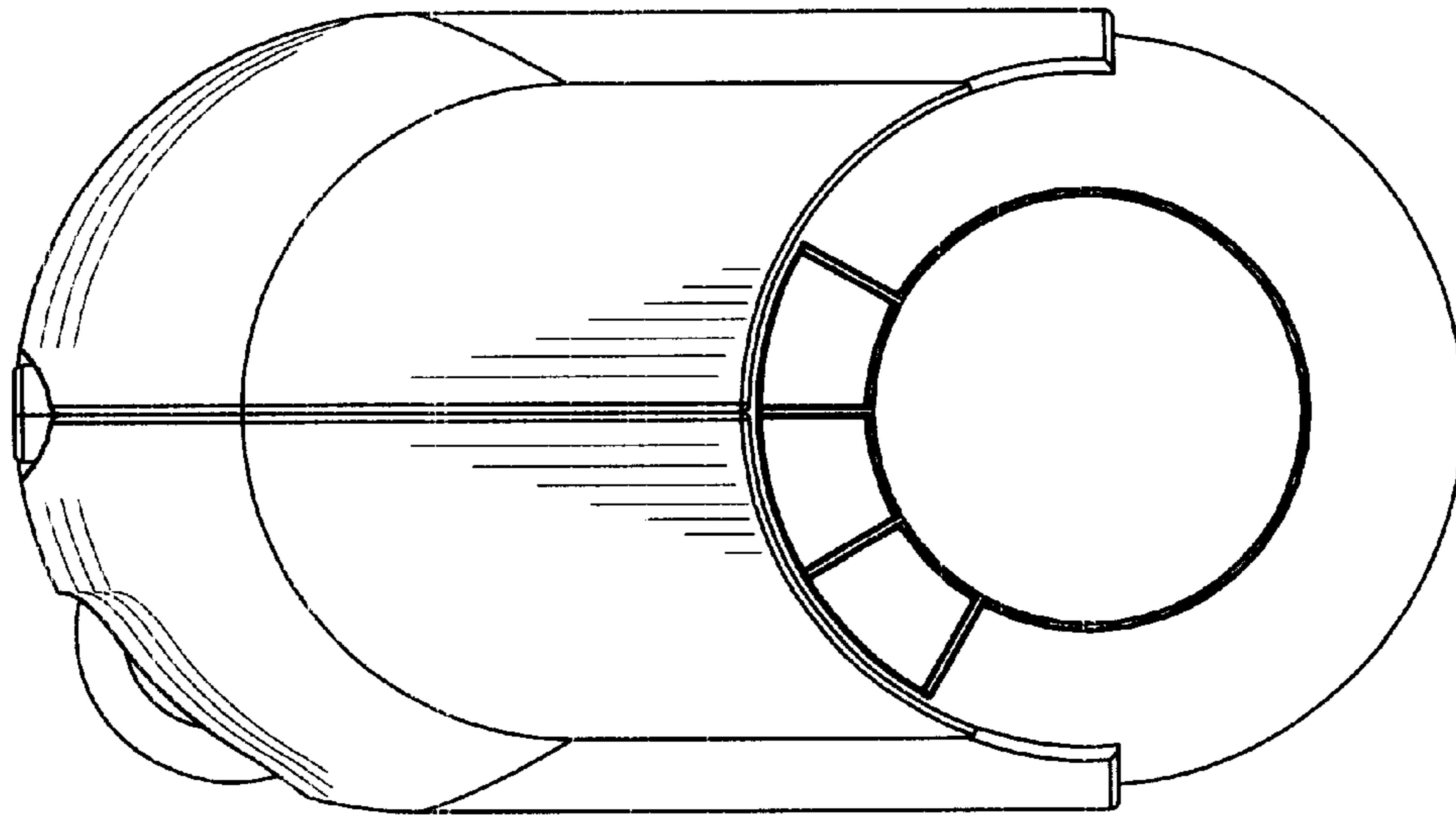


FIG. 5

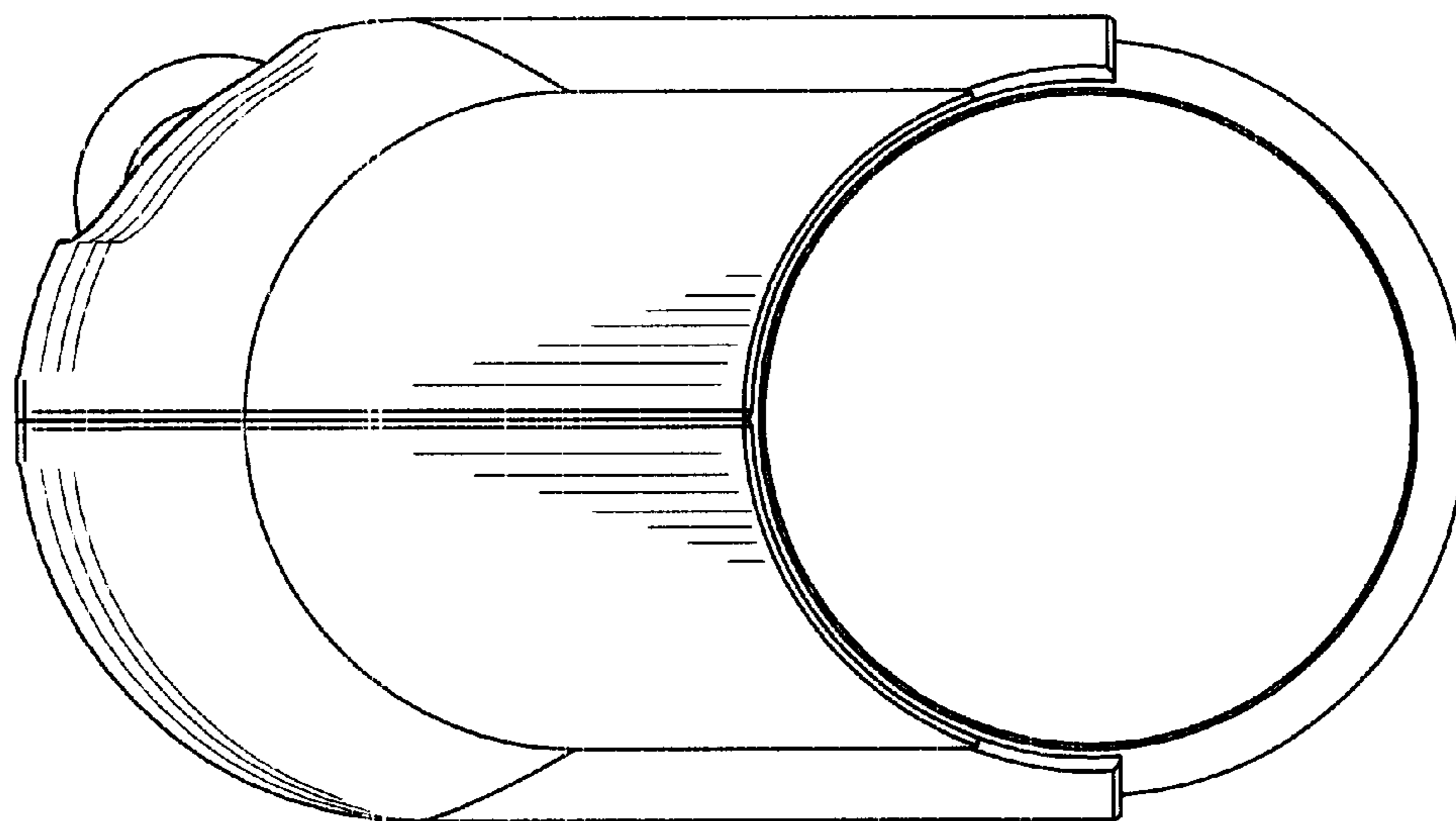


FIG. 6

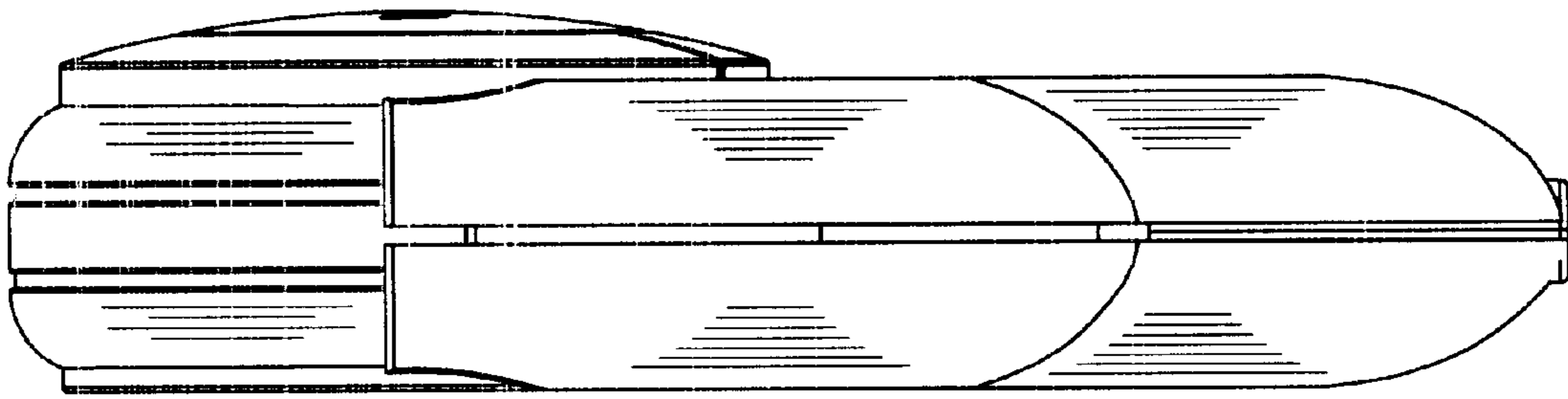


FIG. 7

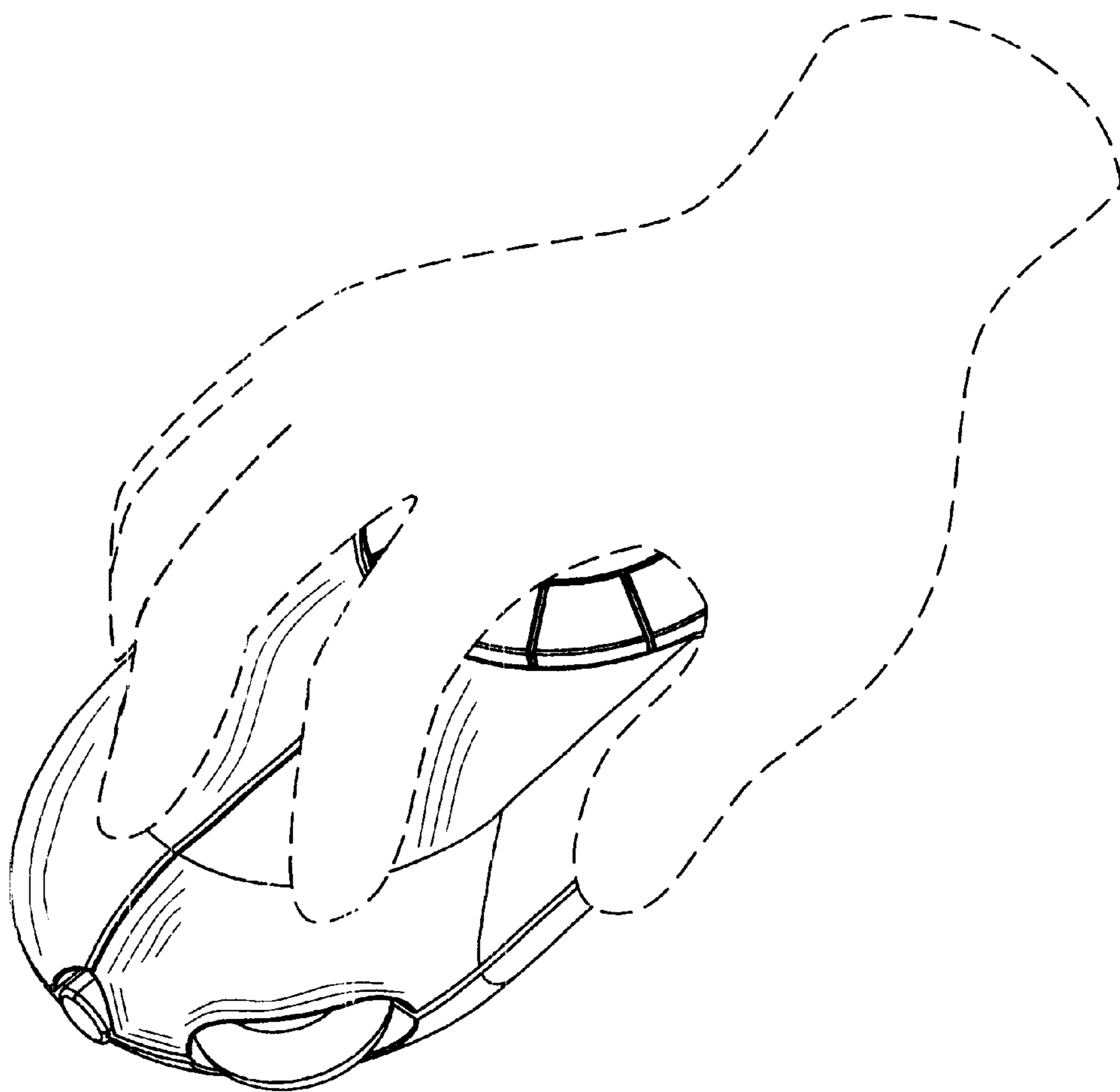


FIG. 8

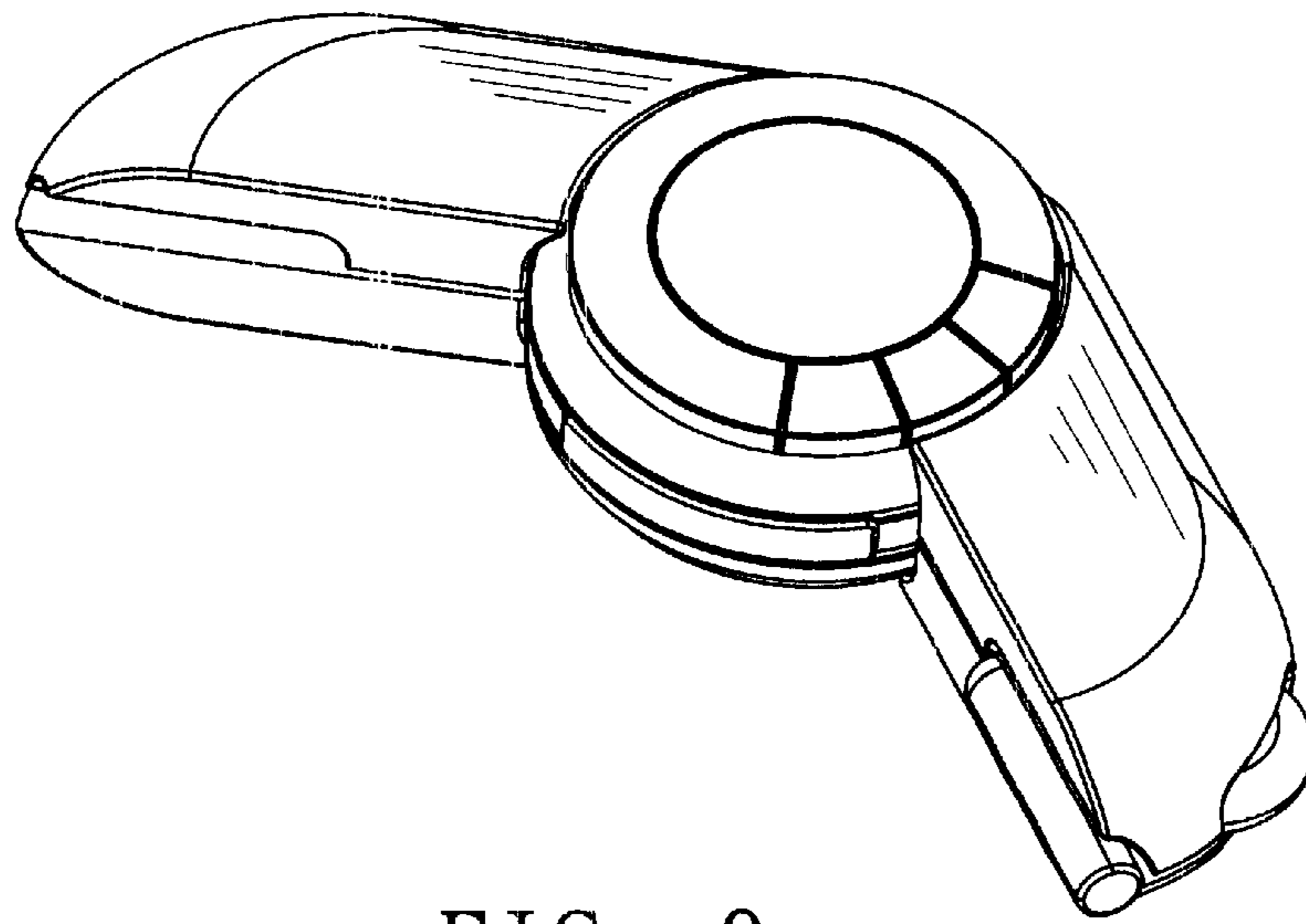


FIG. 9

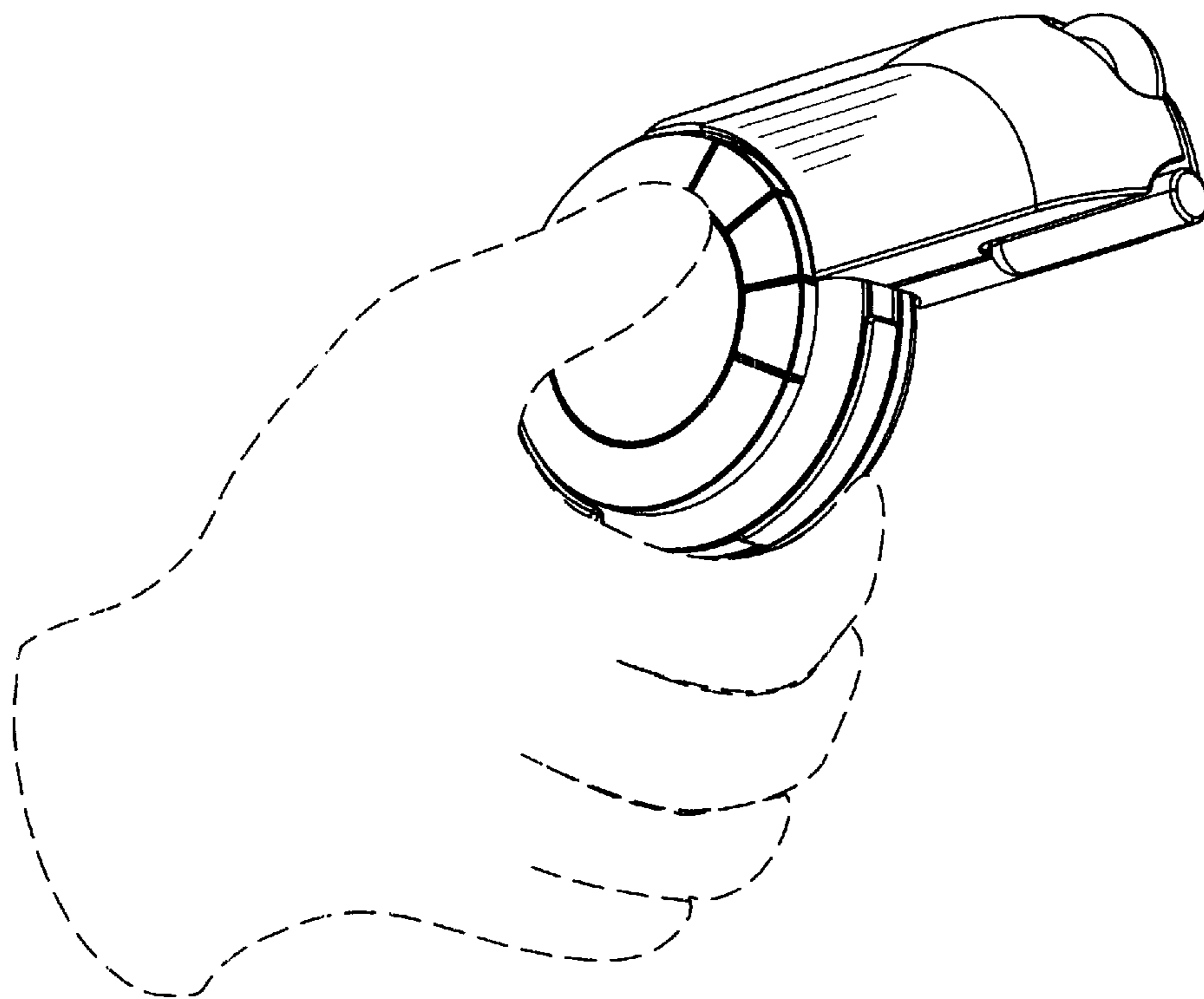


FIG. 10