

US00D506192S

(12) **United States Design Patent** (10) **Patent No.:** **US D506,192 S**
Cutler et al. (45) **Date of Patent:** **** Jun. 14, 2005**

(54) **AUDIOVISUAL COMMUNICATION DEVICE**

(75) Inventors: **Ross Cutler**, Duvall, WA (US); **Jaysun Stockdell-Giesler**, Brandon, FL (US)

(73) Assignee: **Microsoft Corporation**, Redmond, WA (US)

(**) Term: **14 Years**

(21) Appl. No.: **29/204,471**

(22) Filed: **Apr. 30, 2004**

Related U.S. Application Data

(63) Continuation of application No. 29/200,996, filed on Mar. 9, 2004.

(51) **LOC (8) Cl.** **14-03**

(52) **U.S. Cl.** **D14/149**; D14/125; D14/130

(58) **Field of Search** D14/130, 149, D14/150, 155, 159, 423, 144, 230, 233, 238; 379/202.01, 204.01; 348/14.01-14.06, 373; 370/260-268; 709/204, 205; 715/753; D16/202, 203, 208, 214, 232; D26/103, 119, 107, 112, 104, 108

(56) **References Cited**

U.S. PATENT DOCUMENTS

D197,381 S	*	1/1964	Müller	D26/67
D208,719 S	*	9/1967	de Vos	D26/67
4,658,425 A	*	4/1987	Julstrom	381/81
D292,283 S	*	10/1987	Matsuda et al.	D14/240
D300,531 S	*	4/1989	Higgins	D14/230
D317,005 S	*	5/1991	Wickrema et al.	D14/358
D327,479 S	*	6/1992	Britz	D14/225
D347,219 S	*	5/1994	McGreevy	D14/137
D349,714 S	*	8/1994	Hasegawa	D16/203
D355,416 S	*	2/1995	McCay et al.	D14/137
D373,355 S	*	9/1996	Huang et al.	D14/130
5,561,737 A	*	10/1996	Bowen	704/275
D375,319 S	*	11/1996	Johnson et al.	D16/202
5,596,648 A	*	1/1997	Fast	381/77
5,633,681 A	*	5/1997	Baxter et al.	348/373
D389,832 S	*	1/1998	Chong	D14/150

D412,331 S	*	7/1999	Nakamura	D14/155
D434,747 S	*	12/2000	Bird et al.	D14/150
D436,612 S	*	1/2001	Geng	D16/232
D439,892 S	*	4/2001	Tal et al.	D14/243
D446,533 S	*	8/2001	Gatto	D16/202
D457,150 S	*	5/2002	Chen	D14/150
D459,515 S	*	6/2002	Gaskins et al.	D26/67
6,411,332 B1	*	6/2002	Whitby et al.	348/376
6,437,826 B1	*	8/2002	Arnold	348/373
6,462,781 B1	*	10/2002	Arnold	348/373
6,466,249 B1	*	10/2002	Granot et al.	348/14.08
D474,169 S	*	5/2003	Fletcher	D14/159
D481,370 S	*	10/2003	Popowski et al.	D14/150
D490,433 S	*	5/2004	Moriya et al.	D14/423
D495,355 S	*	8/2004	Mudd et al.	D16/232
D495,676 S	*	9/2004	Slevin et al.	D14/150
2003/0053620 A1	*	3/2003	Chen	379/447
2004/0001137 A1	*	1/2004	Cutler et al.	348/14.08
2004/0183941 A1	*	9/2004	McCutchen	348/373
2004/0263611 A1	*	12/2004	Cutler	348/36

OTHER PUBLICATIONS

www.lvci.com, Sony PCS-G70, site visted Jan. 6, 2005.*

* cited by examiner

Primary Examiner—Jeffrey Asch

(74) *Attorney, Agent, or Firm*—Banner & Witcoff, Ltd.

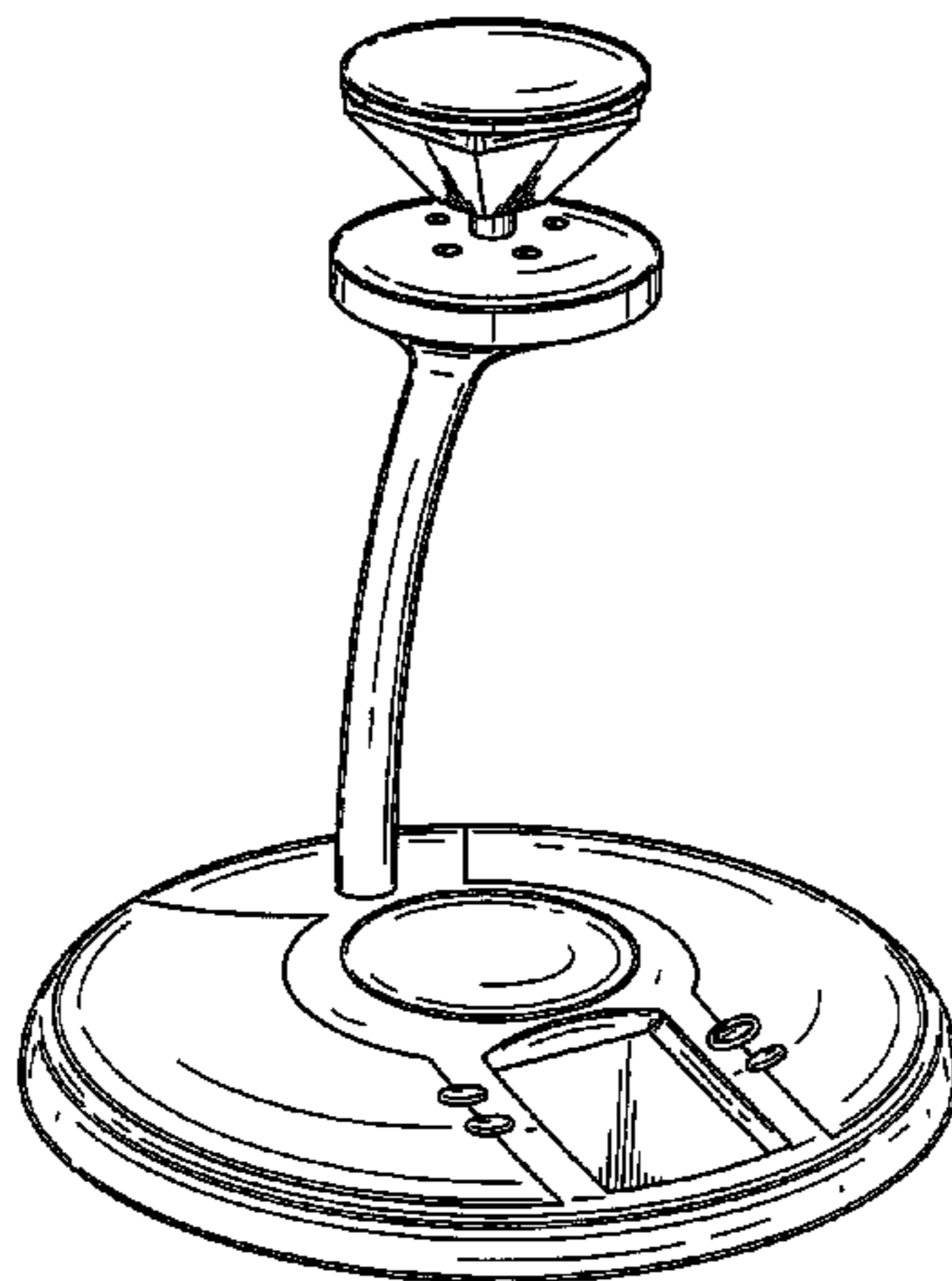
(57) **CLAIM**

The ornamental design for an audiovisual communication device, as shown and described.

DESCRIPTION

FIG. 1 is a front perspective view of an audiovisual communication device showing our new design;
 FIG. 2 is a front view thereof;
 FIG. 3 is a rear view thereof;
 FIG. 4 is a right side view thereof;
 FIG. 5 is a left side view thereof; and,
 FIG. 6 is a top view thereof.
 The unshown bottom forms no part of the claimed design. The broken lines are for illustrative purposes only and form no part of the claimed design.

1 Claim, 6 Drawing Sheets



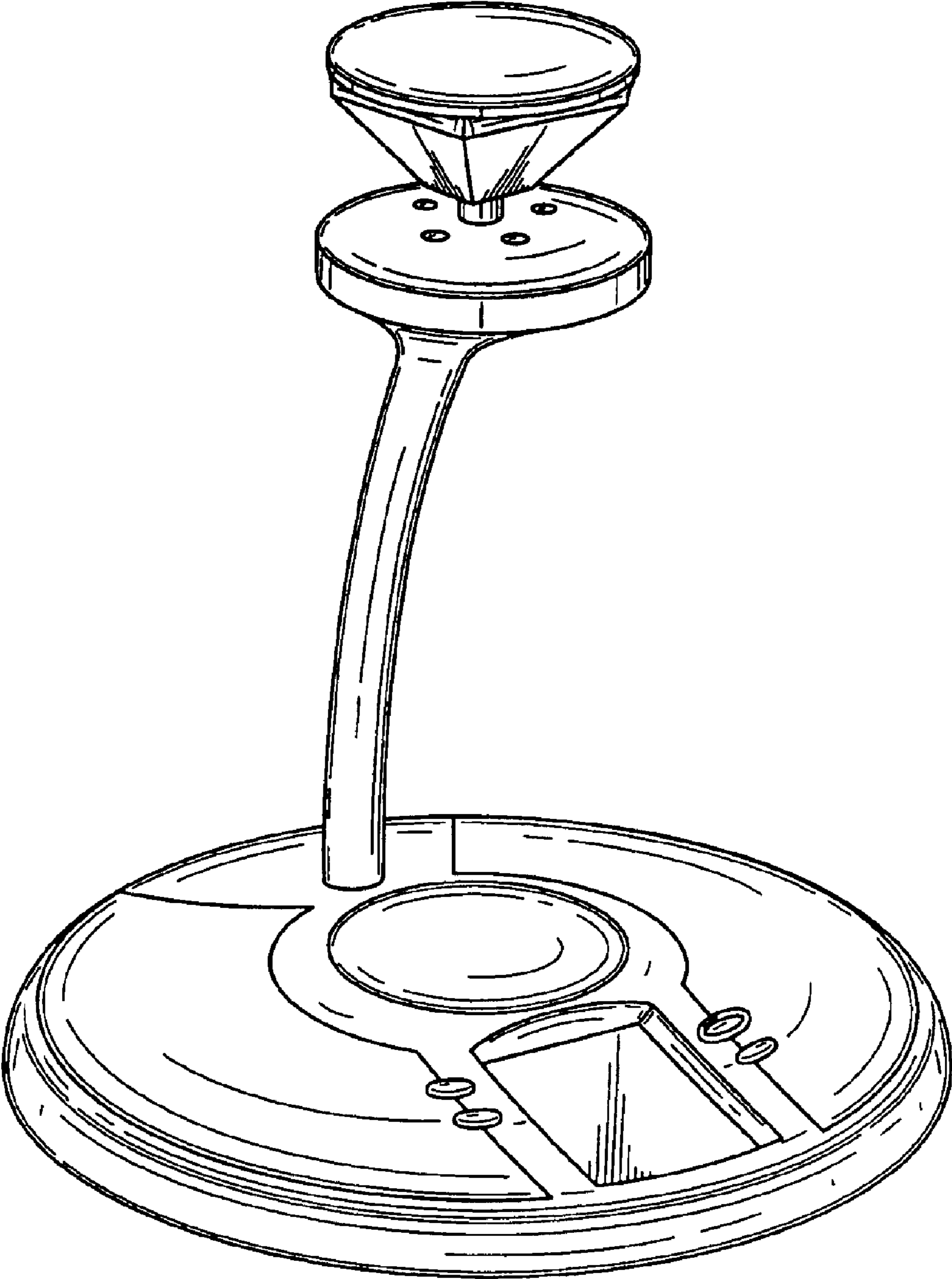


FIG. 1

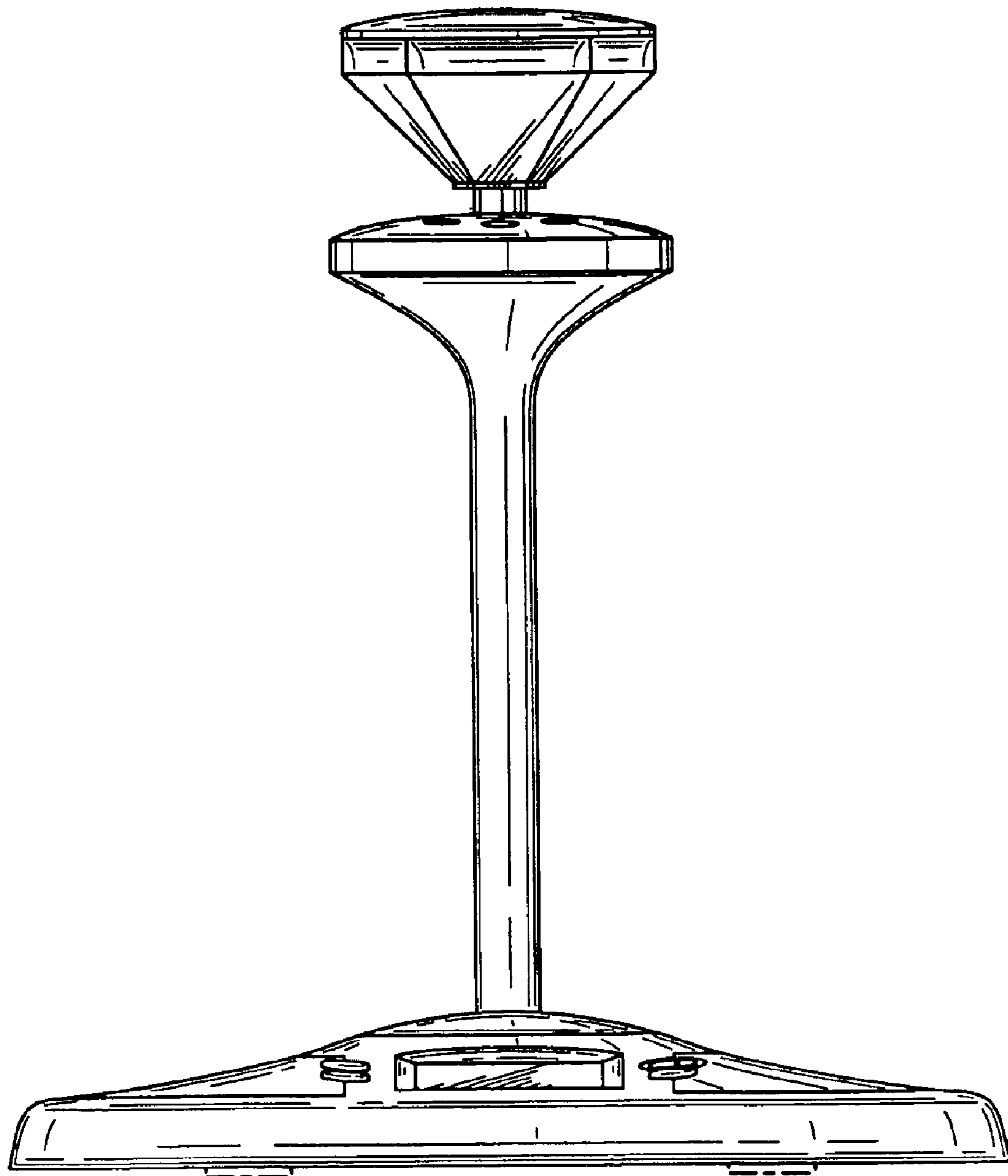


FIG. 2

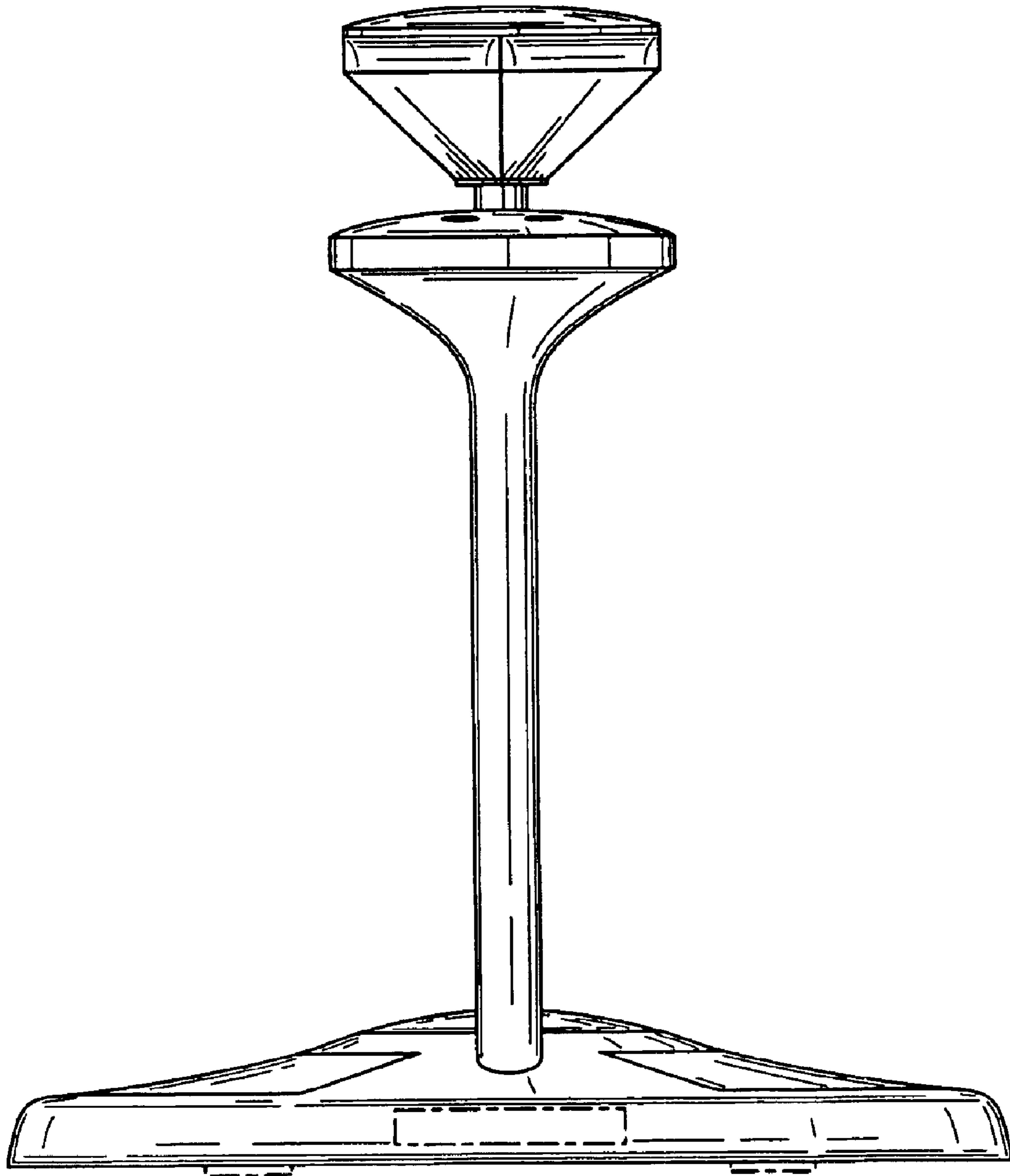


FIG. 3

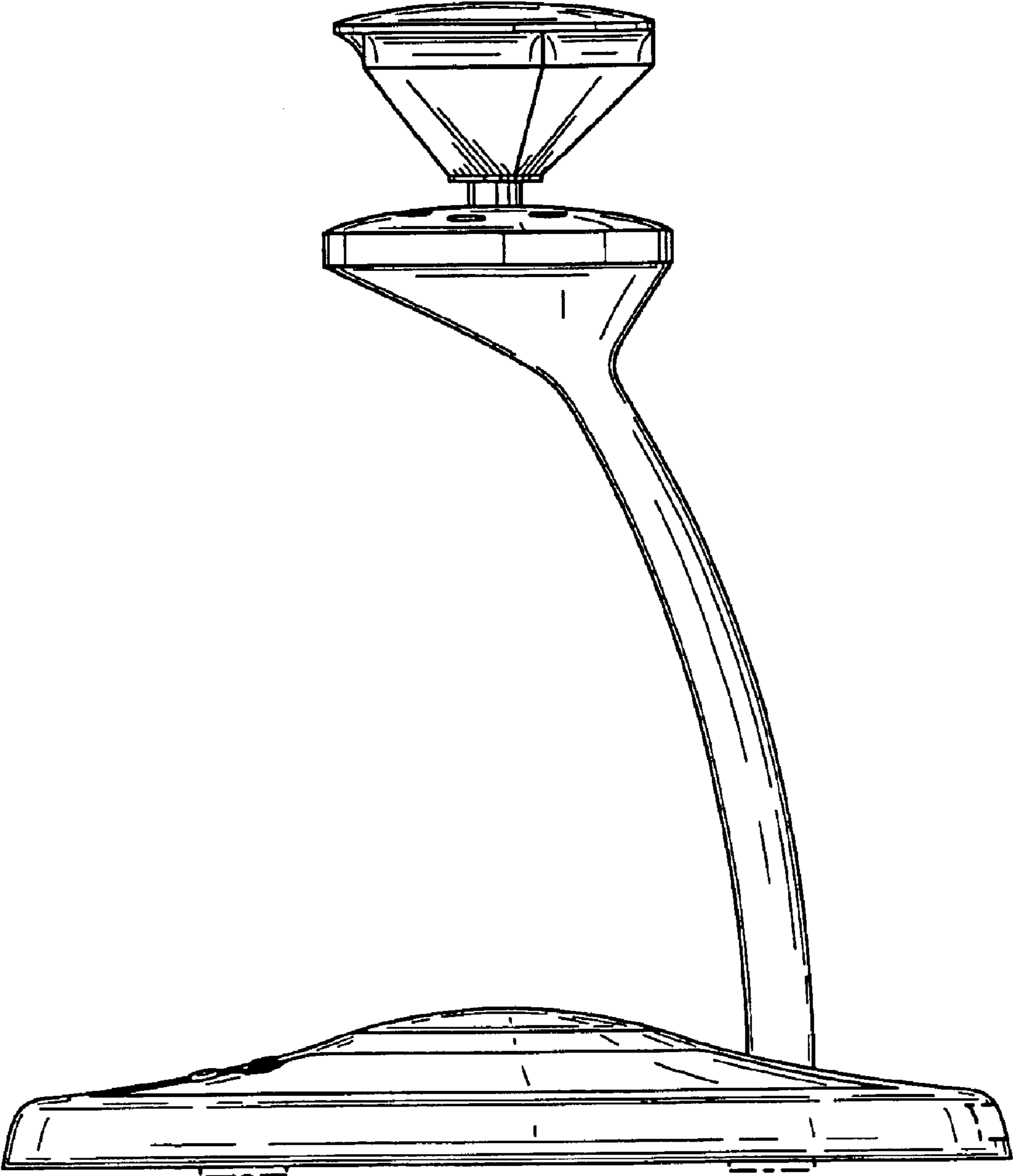


FIG. 4

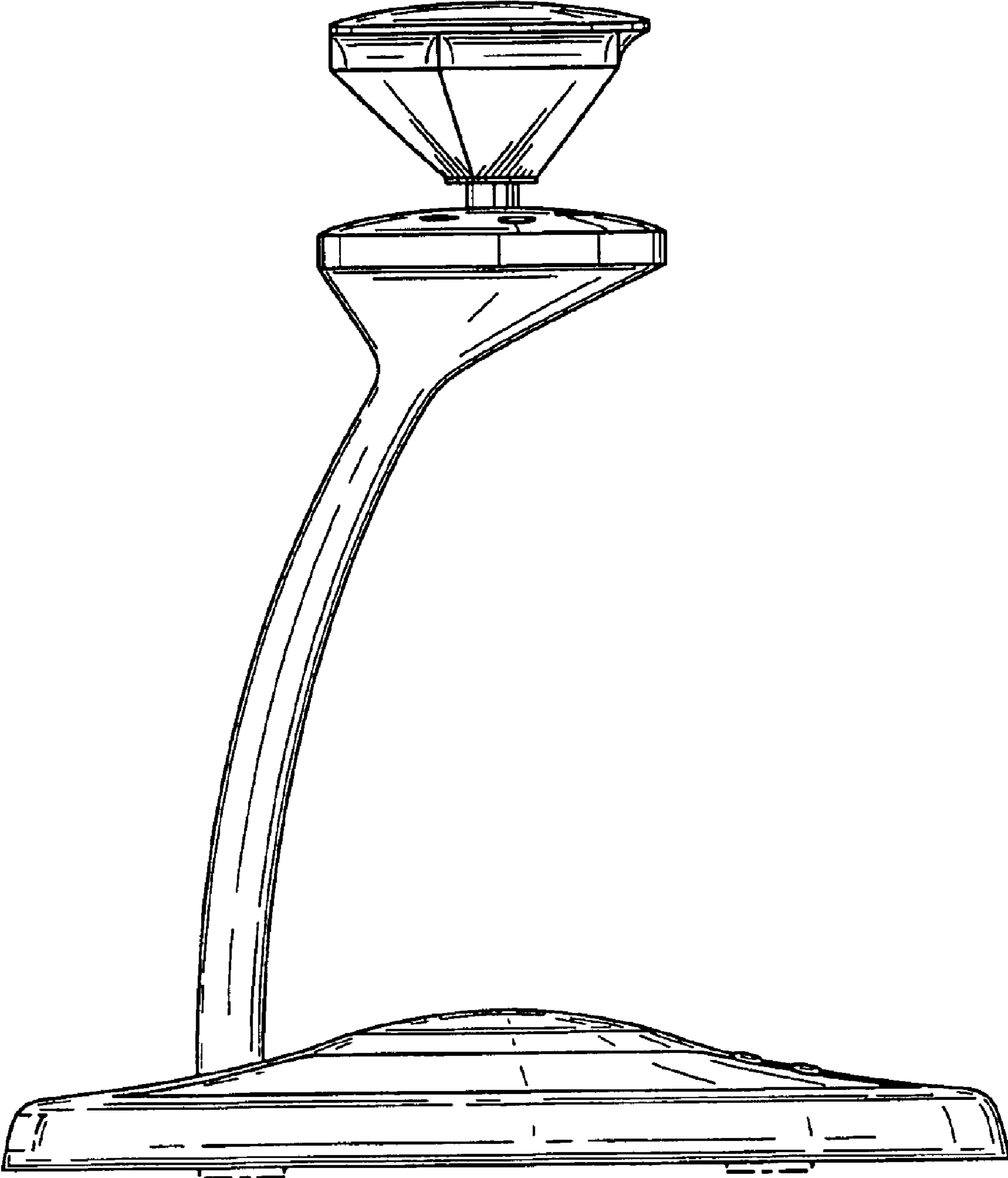


FIG. 5

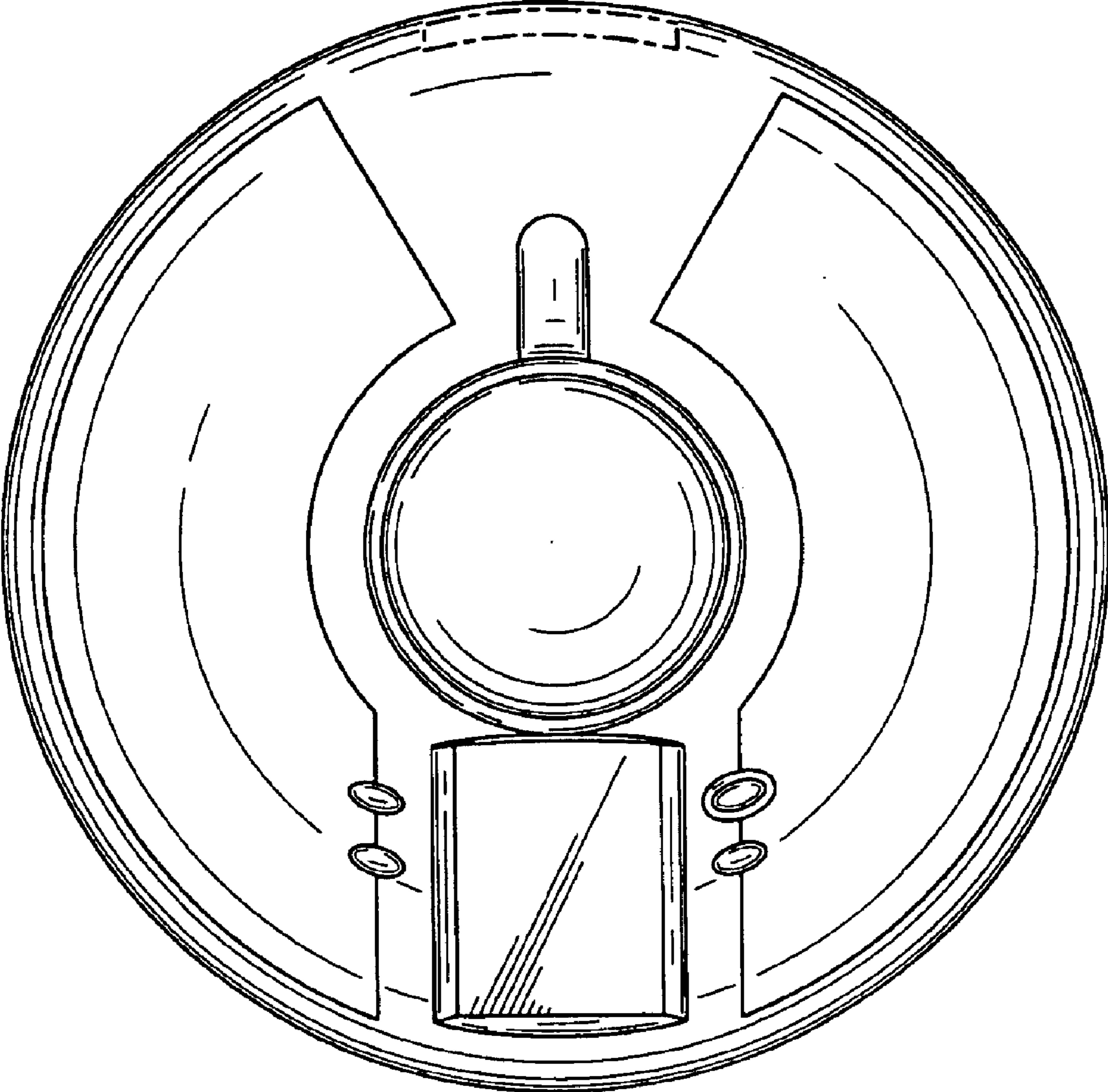


FIG. 6

UNITED STATES PATENT AND TRADEMARK OFFICE
CERTIFICATE OF CORRECTION

PATENT NO. : Des. 506,192 S
DATED : June 14, 2005
INVENTOR(S) : Cutler et al.

Page 1 of 1

It is certified that error appears in the above-identified patent and that said Letters Patent is hereby corrected as shown below:

Title page.

Item [56], **References Cited**, OTHER PUBLICATIONS, "www.lvci.com" has been replaced with -- www.ivci.com --

Signed and Sealed this

Ninth Day of August, 2005

A handwritten signature in black ink on a light gray dotted background. The signature reads "Jon W. Dudas" in a cursive style.

JON W. DUDAS

Director of the United States Patent and Trademark Office