

US00D506189S

(12) **United States Design Patent**
Buckle

(10) **Patent No.:** **US D506,189 S**
(45) **Date of Patent:** **** Jun. 14, 2005**

(54) **TELEVISION RECEIVER**
(75) **Inventor:** **Ian Buckle**, Eindhoven (NL)
(73) **Assignee:** **Koninklijke Philips Electronics N.V.**,
Eindhoven (NL)
(**) **Term:** **14 Years**

D394,048 S * 5/1998 Lee D14/375
D428,415 S * 7/2000 Shibata D14/356
D432,101 S * 10/2000 Oba D14/126
D454,845 S * 3/2002 Niitsu D14/126
D470,489 S * 2/2003 Lin D14/375
D488,141 S * 4/2004 Takami et al. D14/129
D492,269 S * 6/2004 Kita D14/126
D494,149 S * 8/2004 Shih D14/134

* cited by examiner

Primary Examiner—Raphael Barkai

(21) **Appl. No.:** **29/206,205**
(22) **Filed:** **May 27, 2004**
(30) **Foreign Application Priority Data**

Dec. 2, 2003 (EP) 0000109798-0002

(51) **LOC (8) Cl.** **14-03**
(52) **U.S. Cl.** **D14/126**
(58) **Field of Search** D14/125-134,
D14/239, 371, 356, 374-376; 312/7.2; 348/836,
838, 180, 184, 325, 739; 341/12; 248/917-924;
345/104, 133, 156, 168, 87, 173; 353/74

(57) **CLAIM**

The ornamental design for a television receiver, as shown.

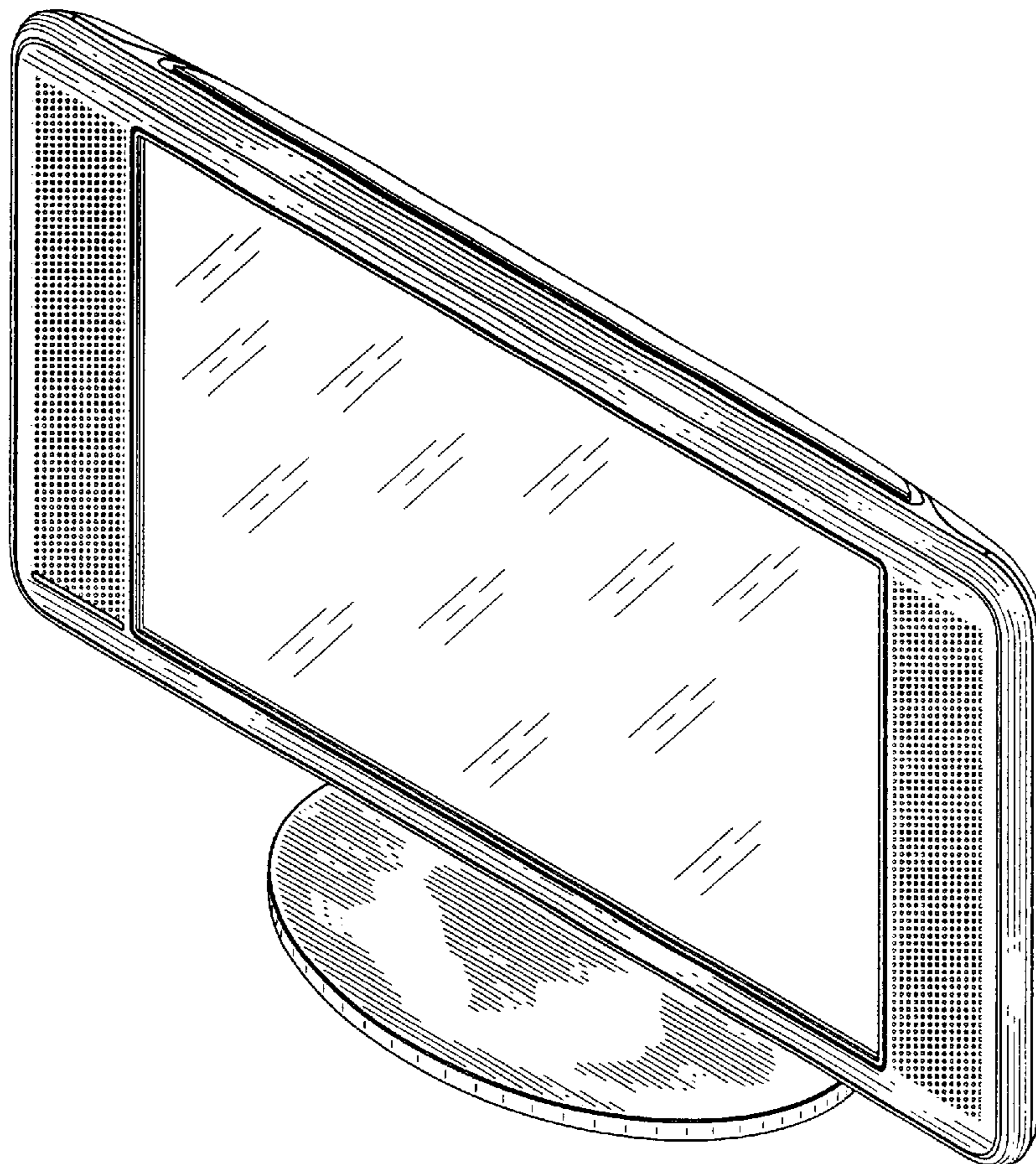
DESCRIPTION

FIG. 1 is a perspective view showing my design;
FIG. 2 is a front elevational view thereof;
FIG. 3 is a rear elevational view thereof;
FIG. 4 is a right side elevational view thereof;
FIG. 5 is a left side elevational view thereof;
FIG. 6 is a top plan view thereof; and,
FIG. 7 is a bottom plan view thereof.

(56) **References Cited**
U.S. PATENT DOCUMENTS

D354,485 S * 1/1995 Maeno et al. D14/129

1 Claim, 4 Drawing Sheets



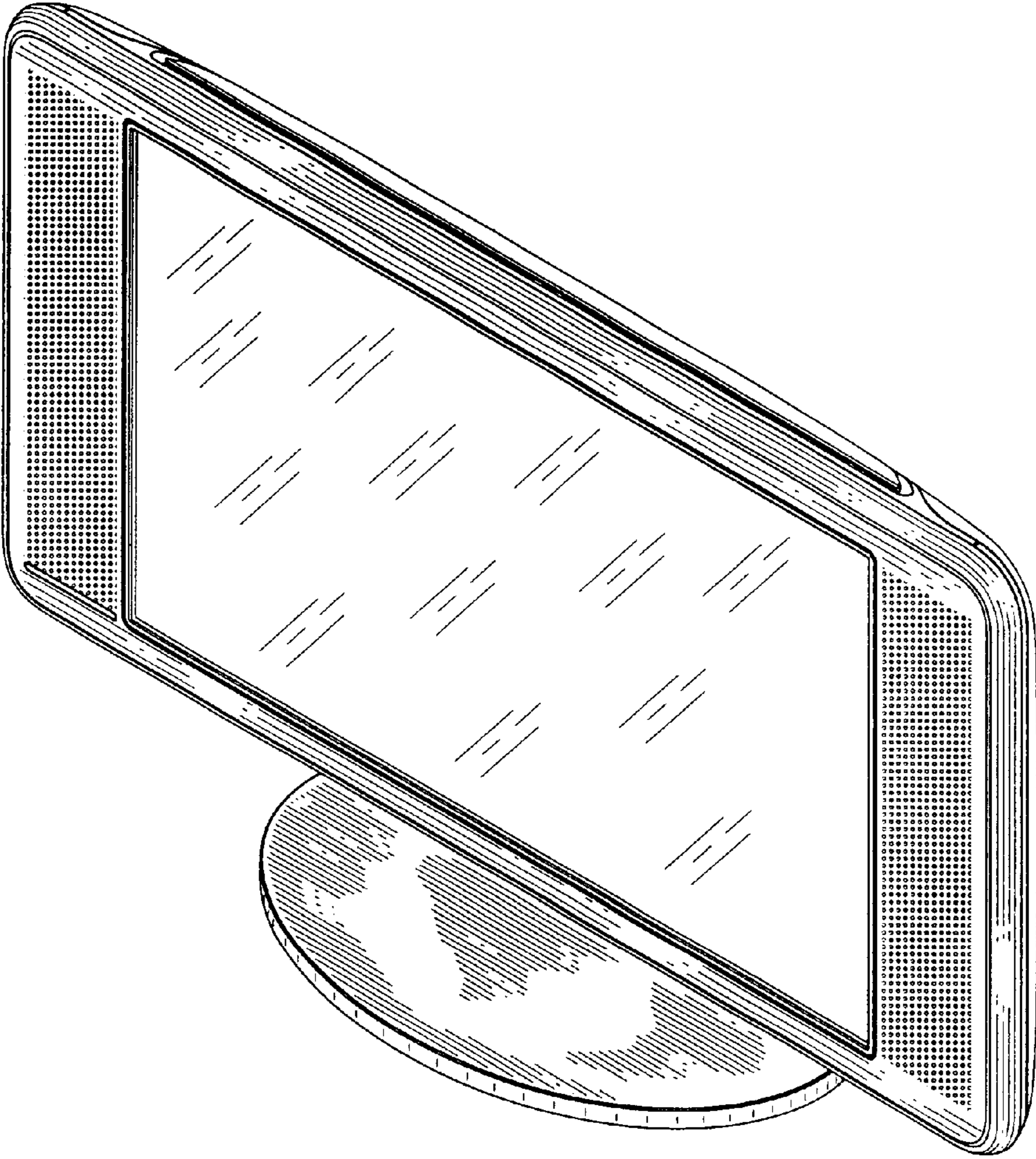


FIG.1

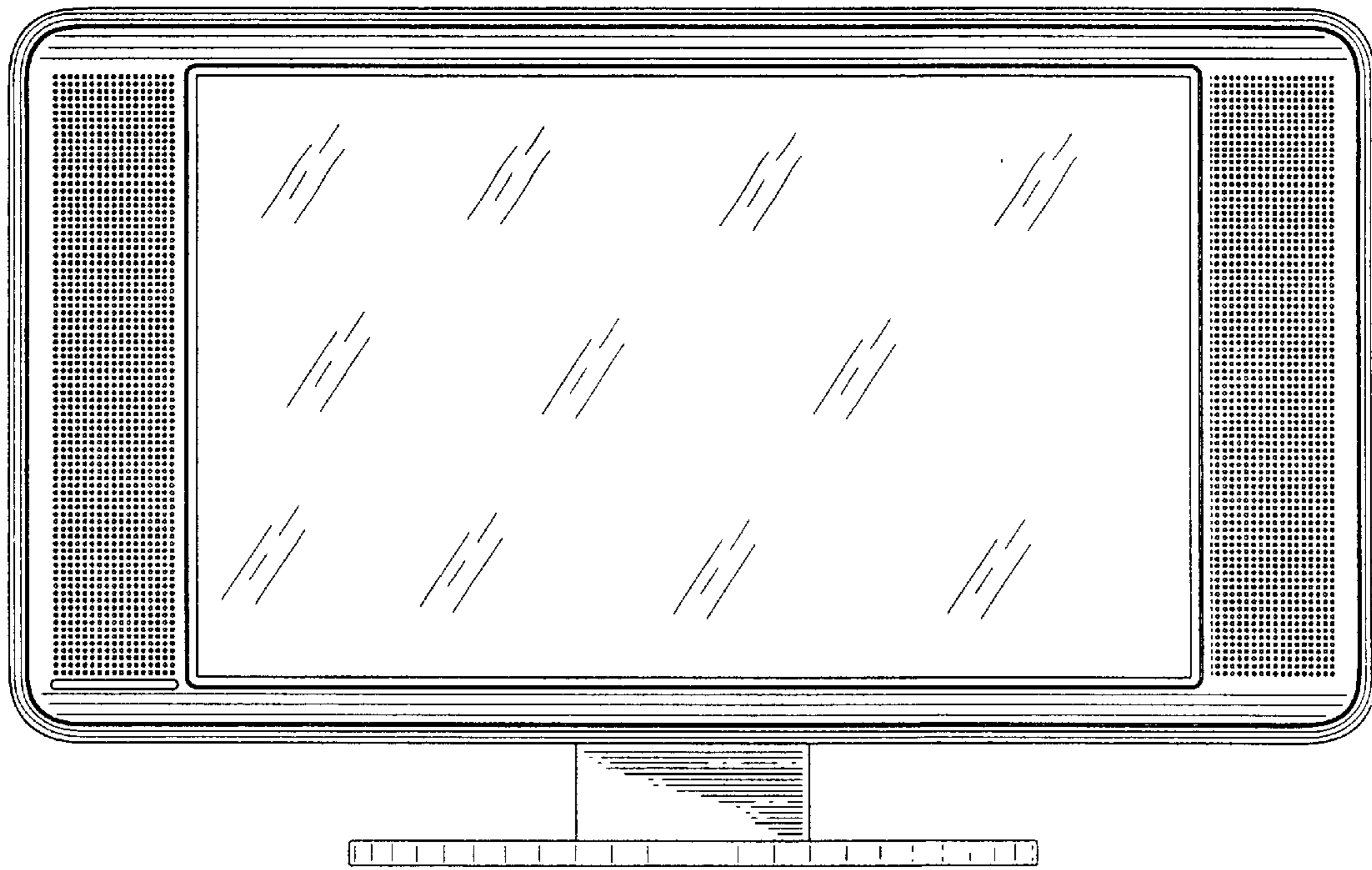


FIG. 2

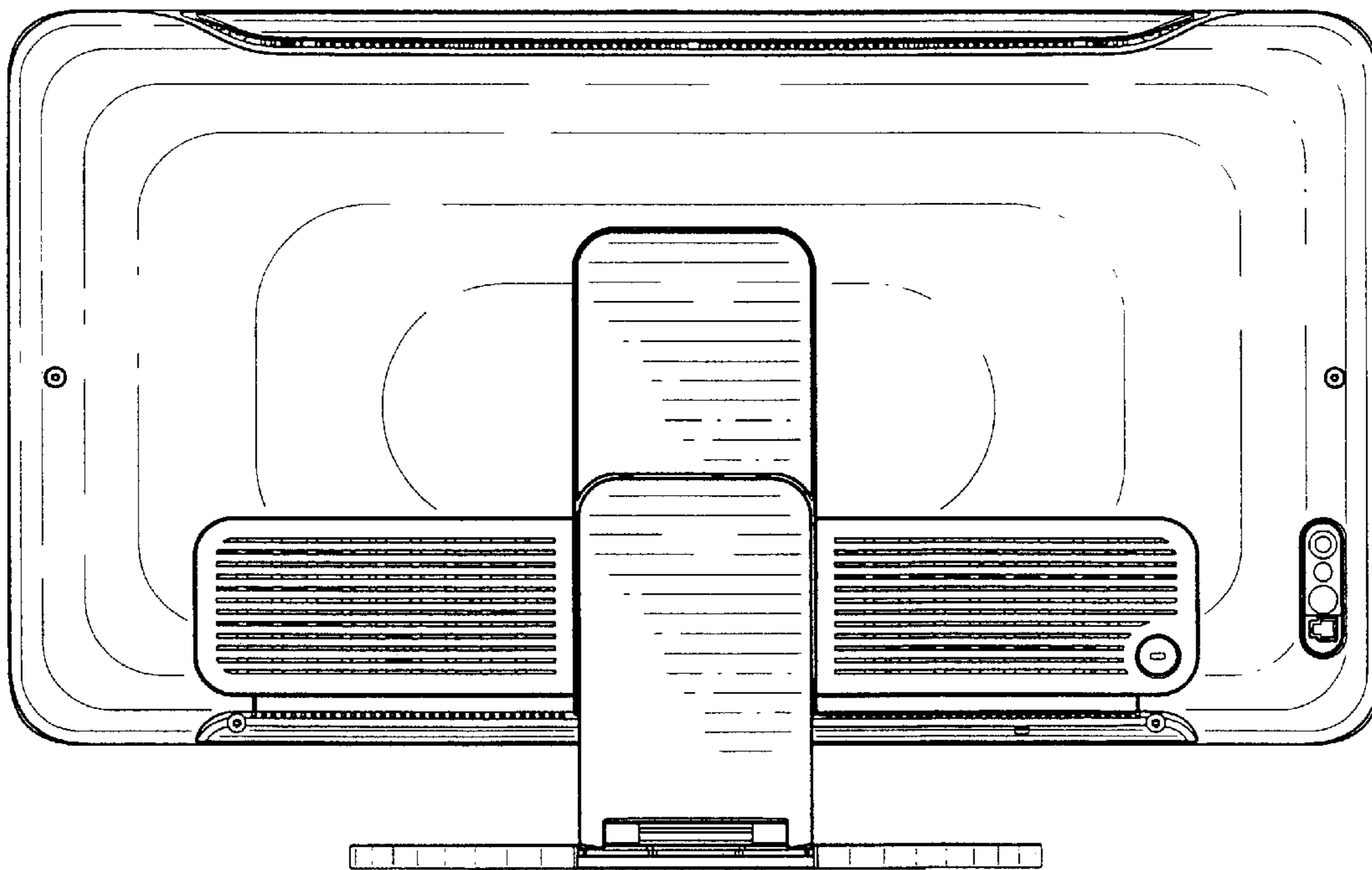


FIG. 3

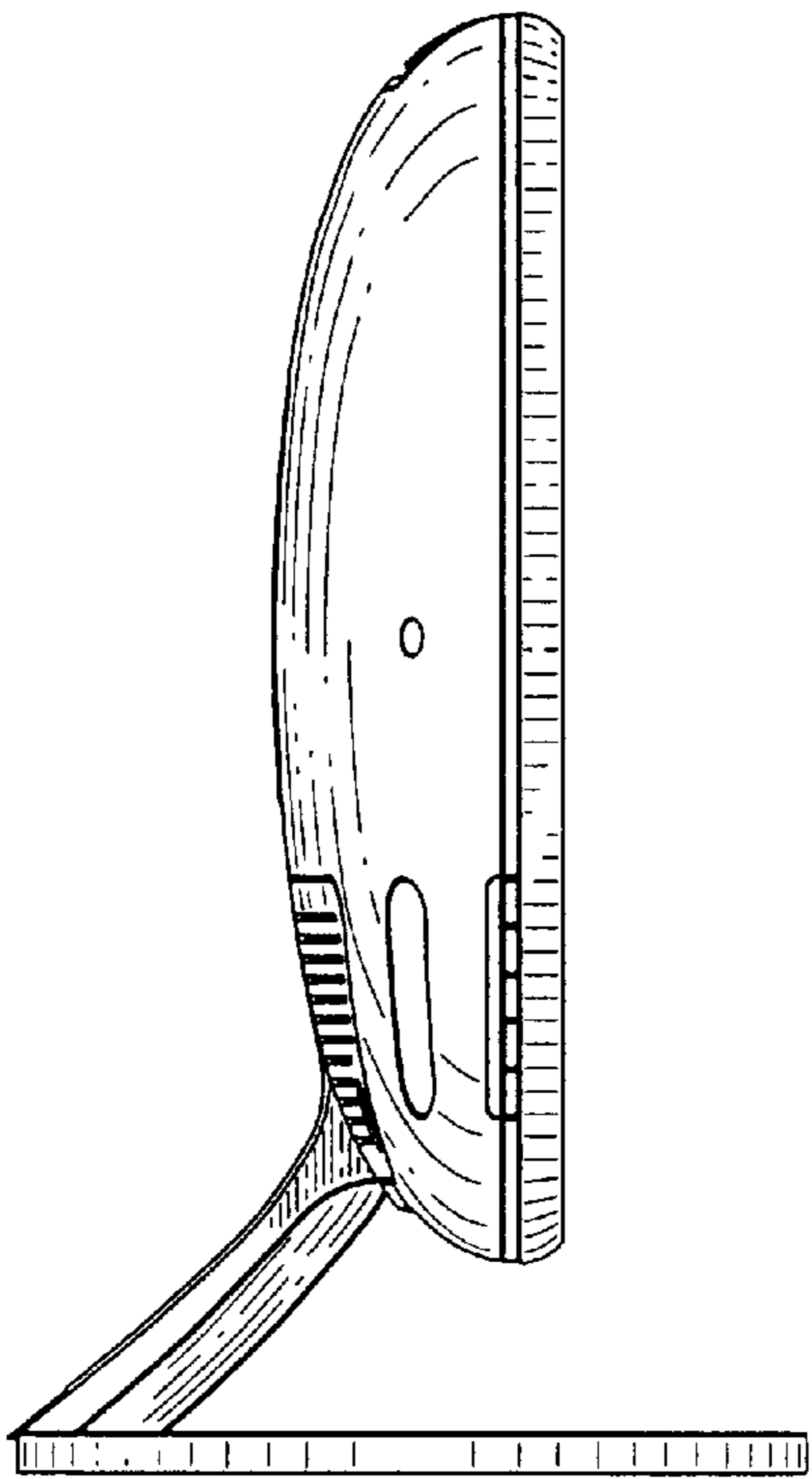


FIG. 4

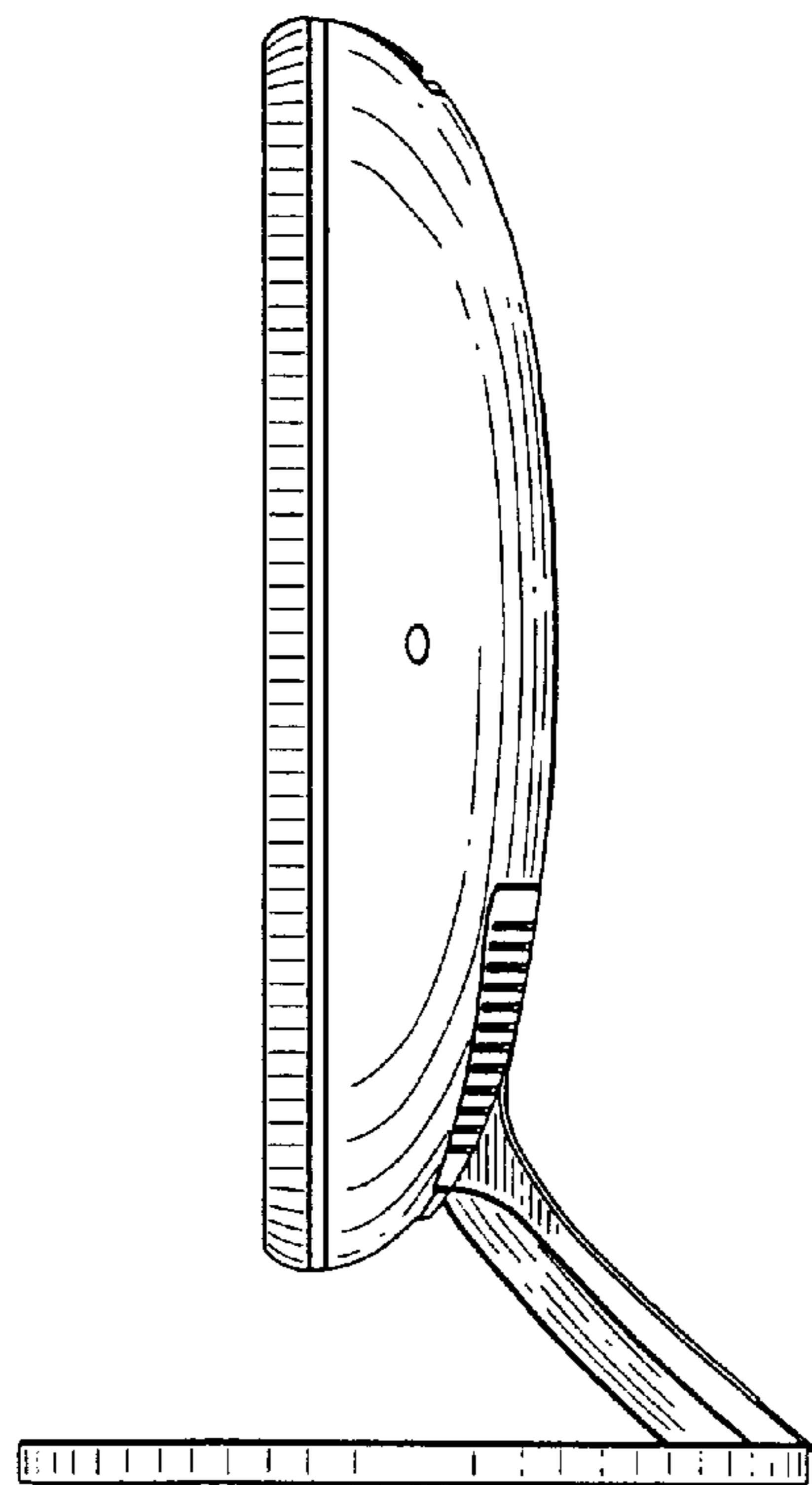


FIG. 5

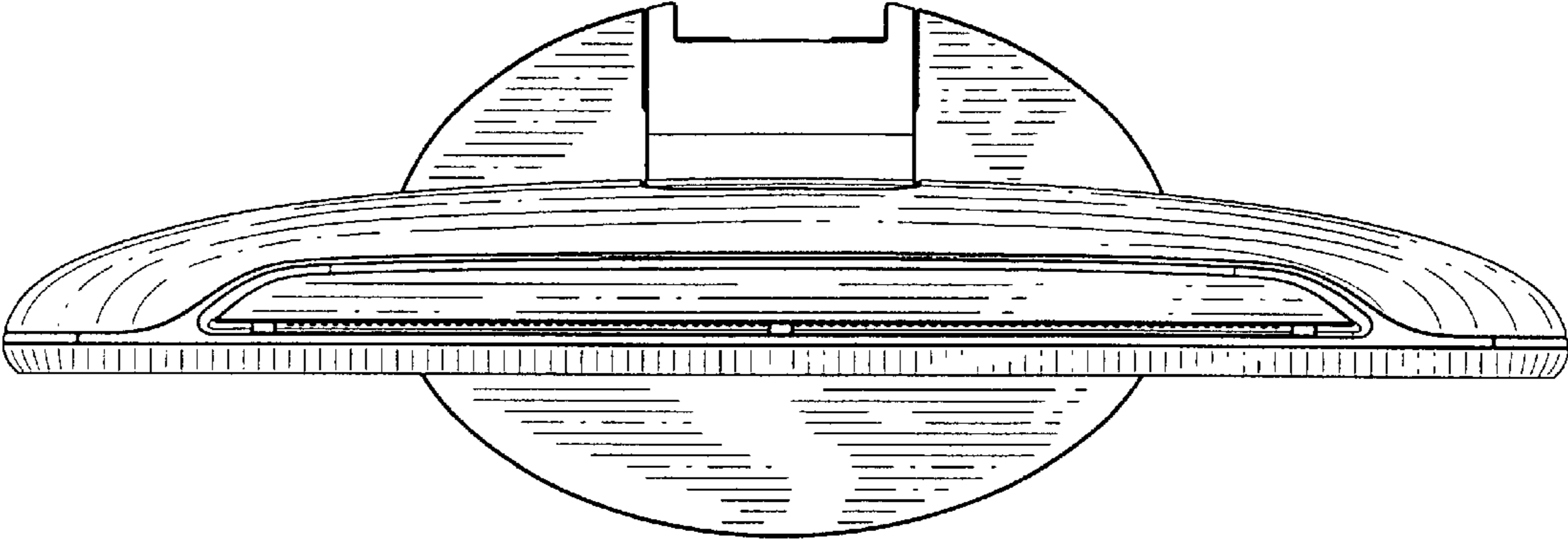


FIG. 6

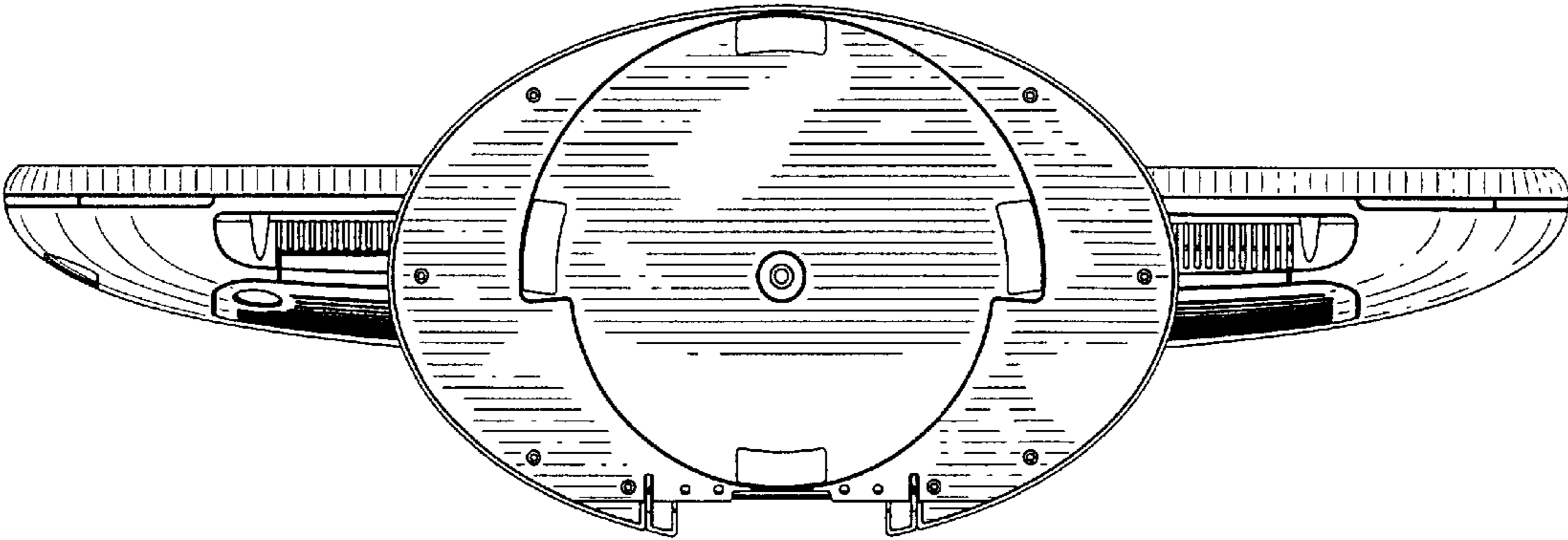


FIG. 7