

US00D506187S

(12) **United States Design Patent**
Wang et al.

(10) **Patent No.:** **US D506,187 S**
(45) **Date of Patent:** **** Jun. 14, 2005**

(54) **METAL BASE DESIGN FOR SURFACE MOUNT DEVICE LED (LIGHT EMITTING DIODE)**

6,574,254 B1 * 6/2003 Wang 372/34
D476,959 S * 7/2003 Yamada et al. D13/182

* cited by examiner

(75) Inventors: **Bily Wang**, Hsinchu (TW); **Jonnie Chuang**, Hsinchu (TW); **Heng-Yen Lee**, Hsinchu (TW); **Hui-Yen Huang**, Hsinchu (TW)

Primary Examiner—Stella Reid
Assistant Examiner—Selina Sikder
(74) *Attorney, Agent, or Firm*—Reed Smith L.L.P.; Stanley P. Fisher, Esq.; Juan Carlos A. Marquez, Esq.

(73) Assignee: **Harvatek Corporation** (TW)

(57) **CLAIM**

(**) Term: **14 Years**

I claim the ornamental design for a metal base design for surface mount device LED (lighting emitting diode), as shown and described.

(21) Appl. No.: **29/214,779**

DESCRIPTION

(22) Filed: **Oct. 12, 2004**

(51) **LOC (8) Cl.** **13-03**

(52) **U.S. Cl.** **D13/180**

(58) **Field of Search** D13/180, 182;
174/52.4; 257/99, 91, 431, 433, 666, 81;
315/169.2, 169.3; 361/767; 362/249, 582;
372/34; 438/124

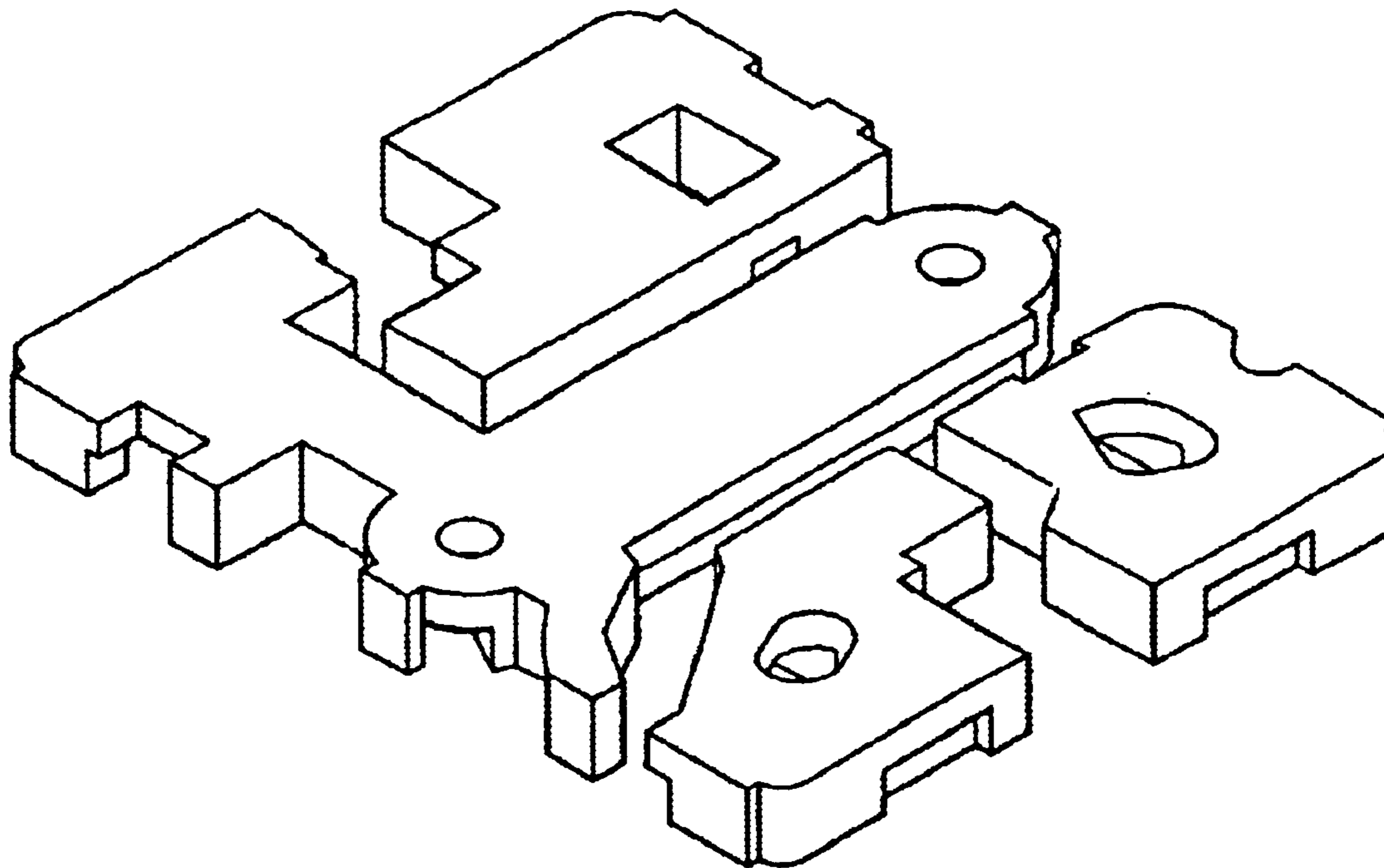
FIG. 1 is a 3D of top view of a metal base design for surface mount device LED showing my new design;
FIG. 2 is a front view thereof;
FIG. 3 is a rear view thereof;
FIG. 4 is a left side view thereof;
FIG. 5 is a right side view thereof;
FIG. 6 is a top view thereof;
FIG. 7 is a bottom view thereof;
FIG. 8 is a 3D of bottom view thereof; and,
FIG. 9 is a perspective view thereof in use.
The broken line showing of the environment is for illustrative purpose only and forms no part of the claimed design.

(56) **References Cited**

U.S. PATENT DOCUMENTS

5,369,551 A * 11/1994 Gore et al. 361/767
6,300,674 B1 * 10/2001 Wang 257/666
6,422,716 B2 * 7/2002 Henrici et al. 362/249

1 Claim, 6 Drawing Sheets



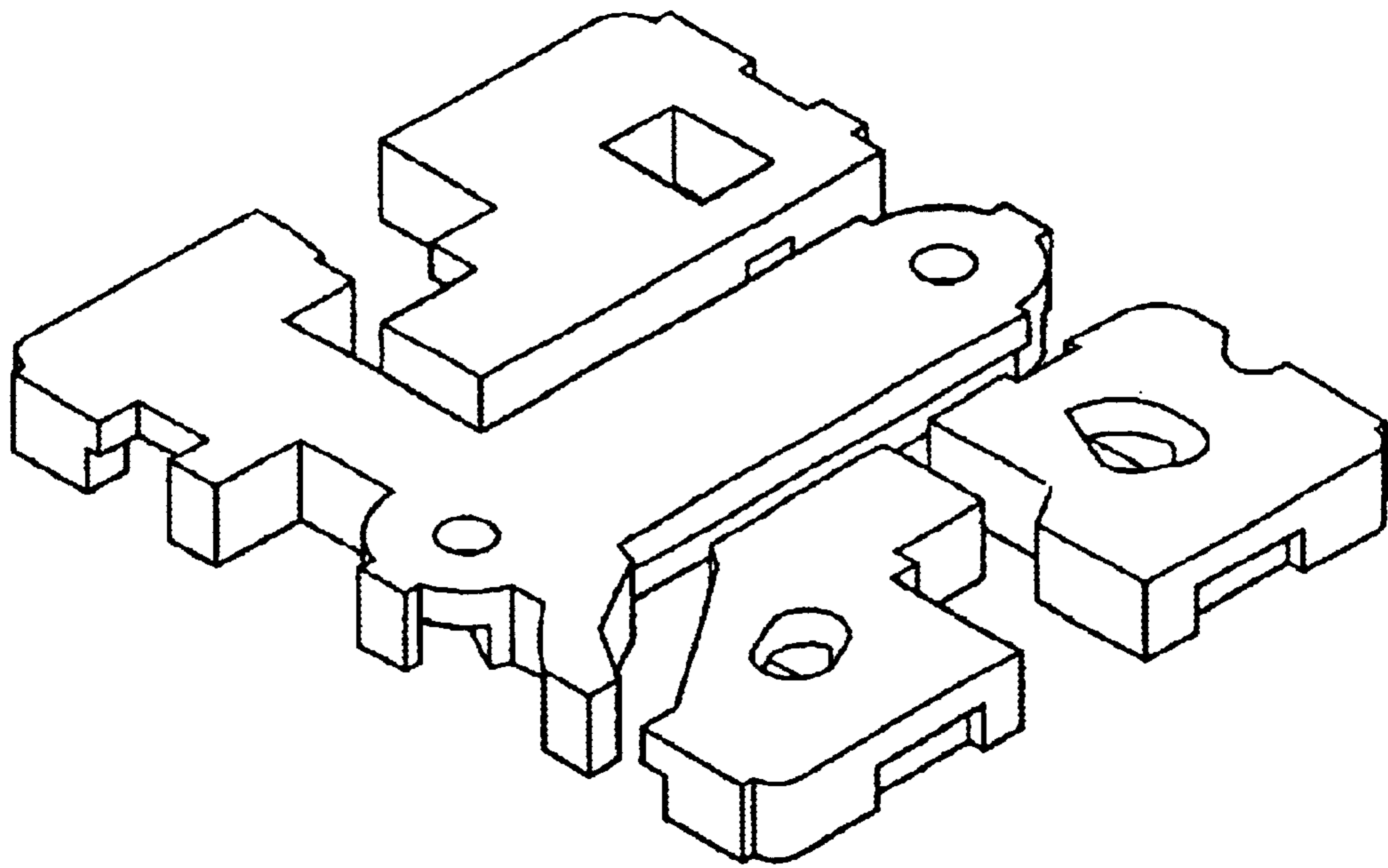


FIG. 1



FIG. 2



FIG. 3



FIG. 4



FIG. 5

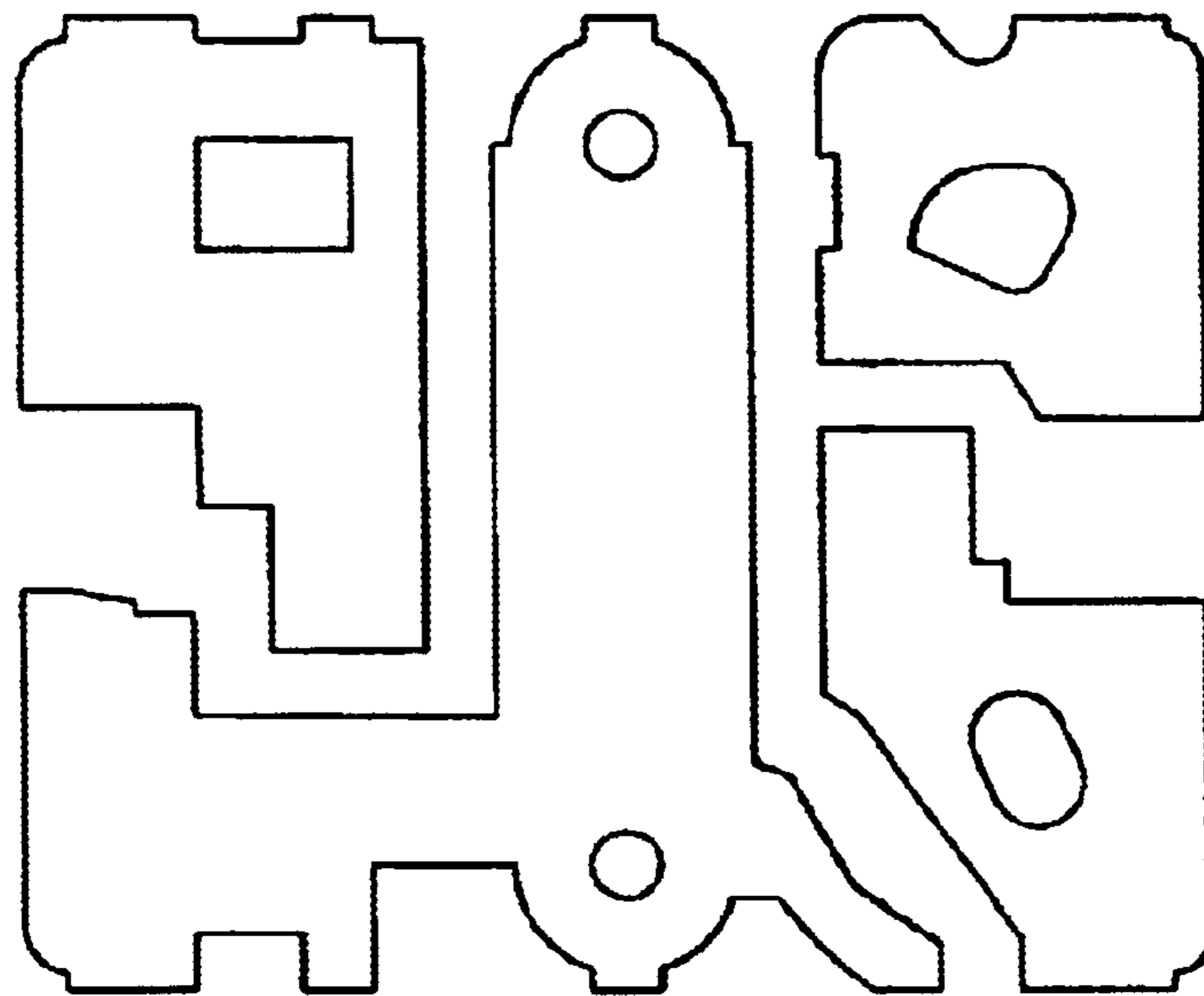


FIG. 6

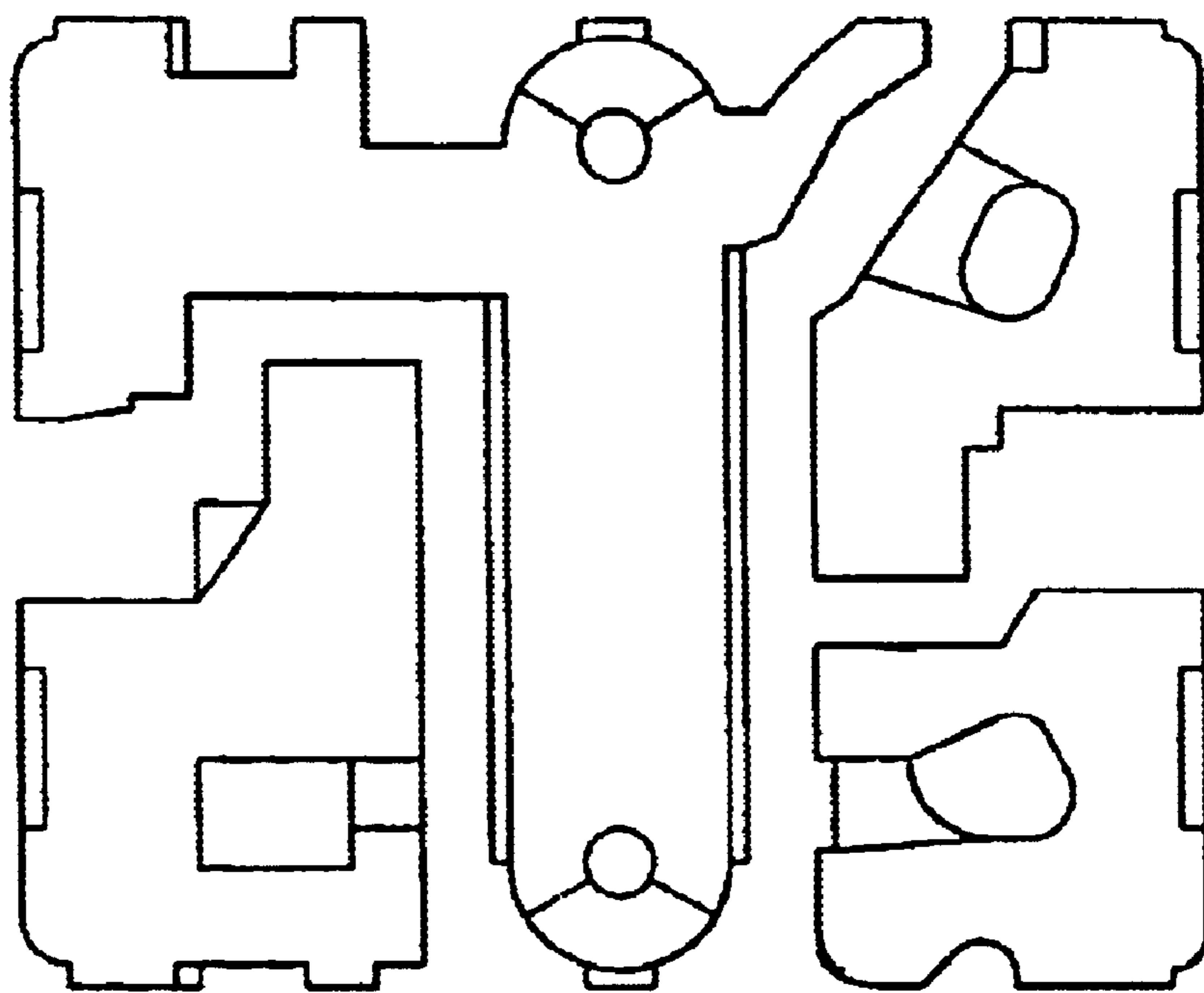


FIG. 7

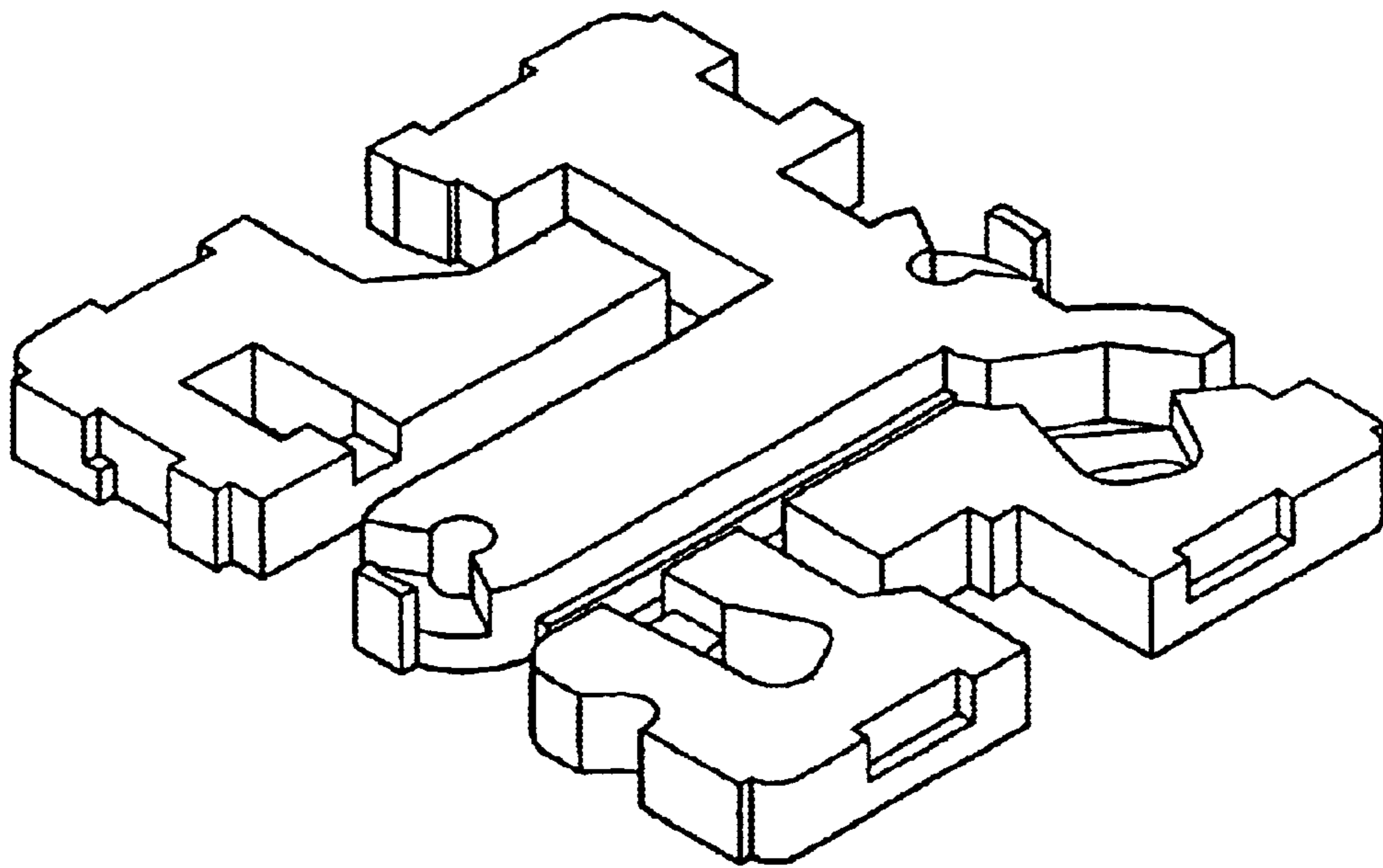


FIG. 8

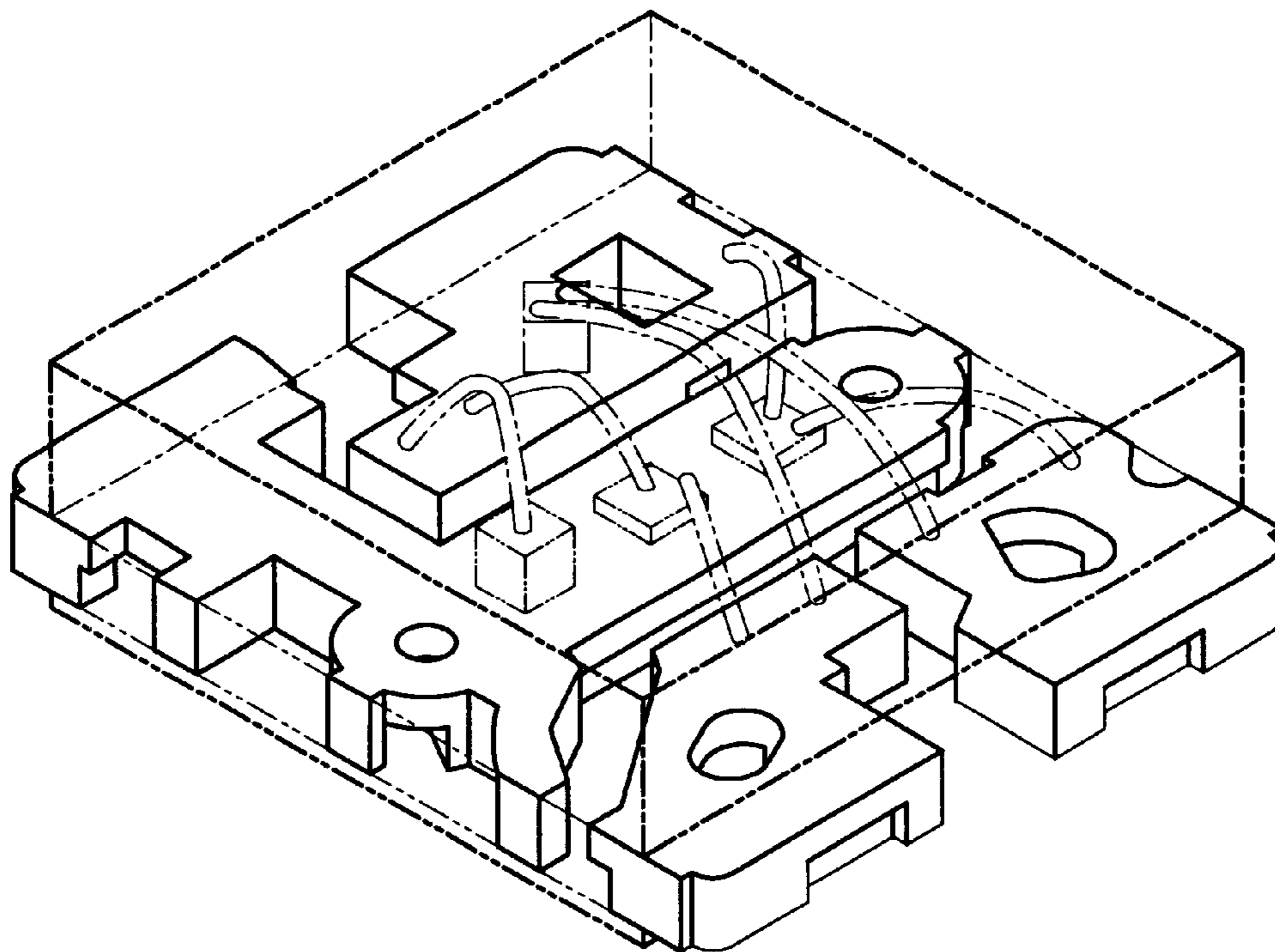


FIG. 9