

US00D506186S

(12) **United States Design Patent**
Bohn et al.

(10) **Patent No.:** **US D506,186 S**
(45) **Date of Patent:** **** Jun. 14, 2005**

(54) **TOP OF A ROCKER SWITCH AND LENS**

(75) Inventors: **Zachory Bohn**, Chalfont, PA (US);
Christopher Gillespie, Sellersville, PA
(US); **George Watlington**, Philadelphia,
PA (US)

(73) Assignee: **R&B Inc.**, Colmar, PA (US)

(**) Term: **14 Years**

(21) Appl. No.: **29/213,118**

(22) Filed: **Sep. 14, 2004**

Related U.S. Application Data

(62) Division of application No. 29/193,720, filed on Nov. 13,
2003.

(51) **LOC (8) Cl.** **13-03**

(52) **U.S. Cl.** **D13/169; D13/174**

(58) **Field of Search** D13/158, 169,
D13/174; 200/5 A, 5 R, 6 R, 296, 302.3,
315, 330, 334, 339, 341, 520, 525, 553

(56) **References Cited**

U.S. PATENT DOCUMENTS

4,520,423	A	*	5/1985	Sutherland	361/681
D416,871	S	*	11/1999	Todd	D13/169
6,323,450	B1	*	11/2001	Chen	200/553
6,335,500	B1	*	1/2002	Chi et al.	200/341
D454,118	S	*	3/2002	Winkler	D13/158
D454,119	S	*	3/2002	Winkler	D13/158
D454,120	S	*	3/2002	Sadowski et al.	D13/174
6,380,500	B1	*	4/2002	Lin	200/302.3
6,483,416	B2	*	11/2002	Yu	337/126
6,596,956	B1	*	7/2003	Czarnecki	200/552
6,680,449	B1	*	1/2004	Wang	200/334
2003/0029706	A1	*	2/2003	Gillman et al.	200/339

* cited by examiner

Primary Examiner—Stella Reid
Assistant Examiner—Selina Sikder

(74) *Attorney, Agent, or Firm*—Volpe and Koenig, P.C.

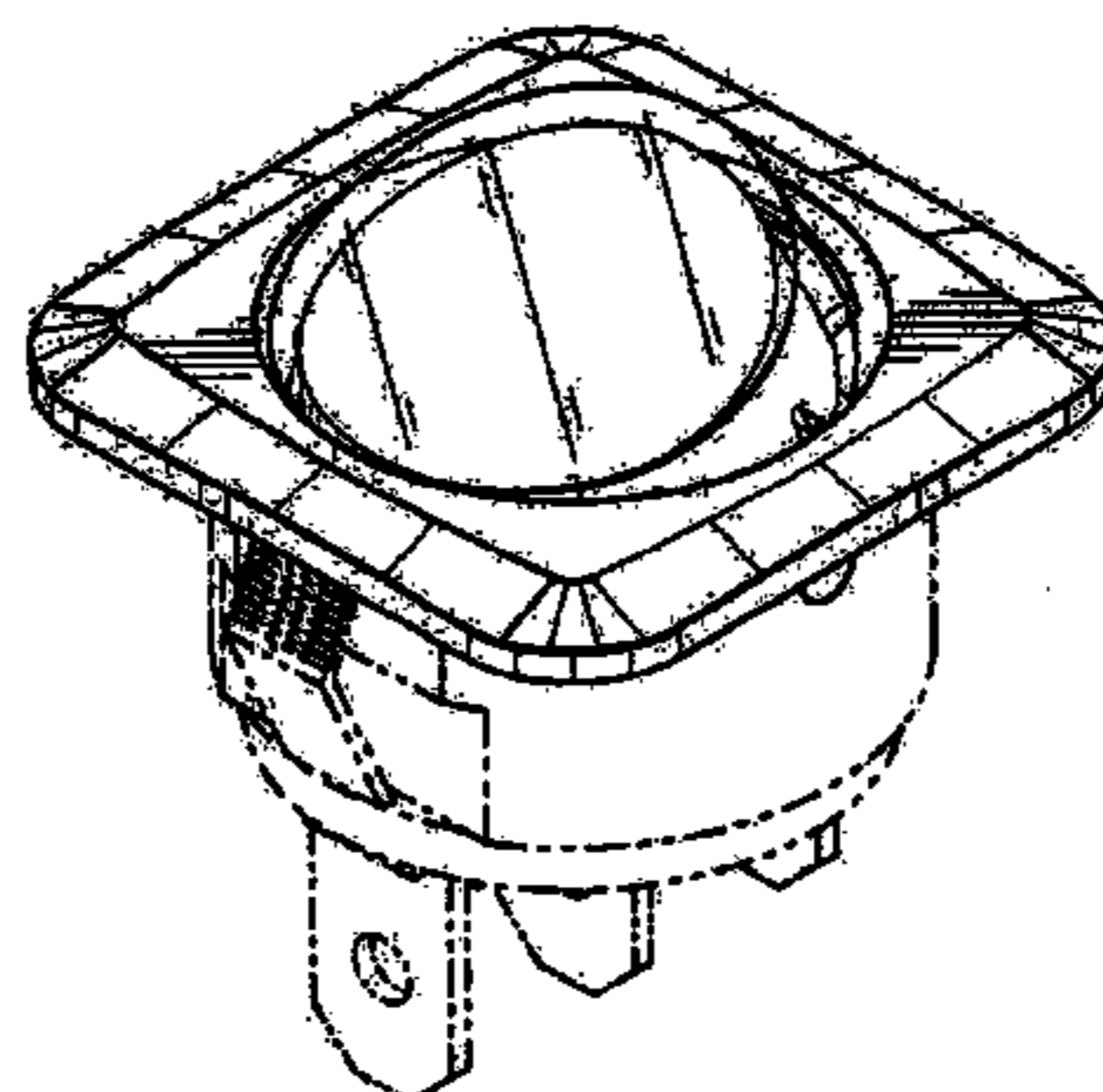
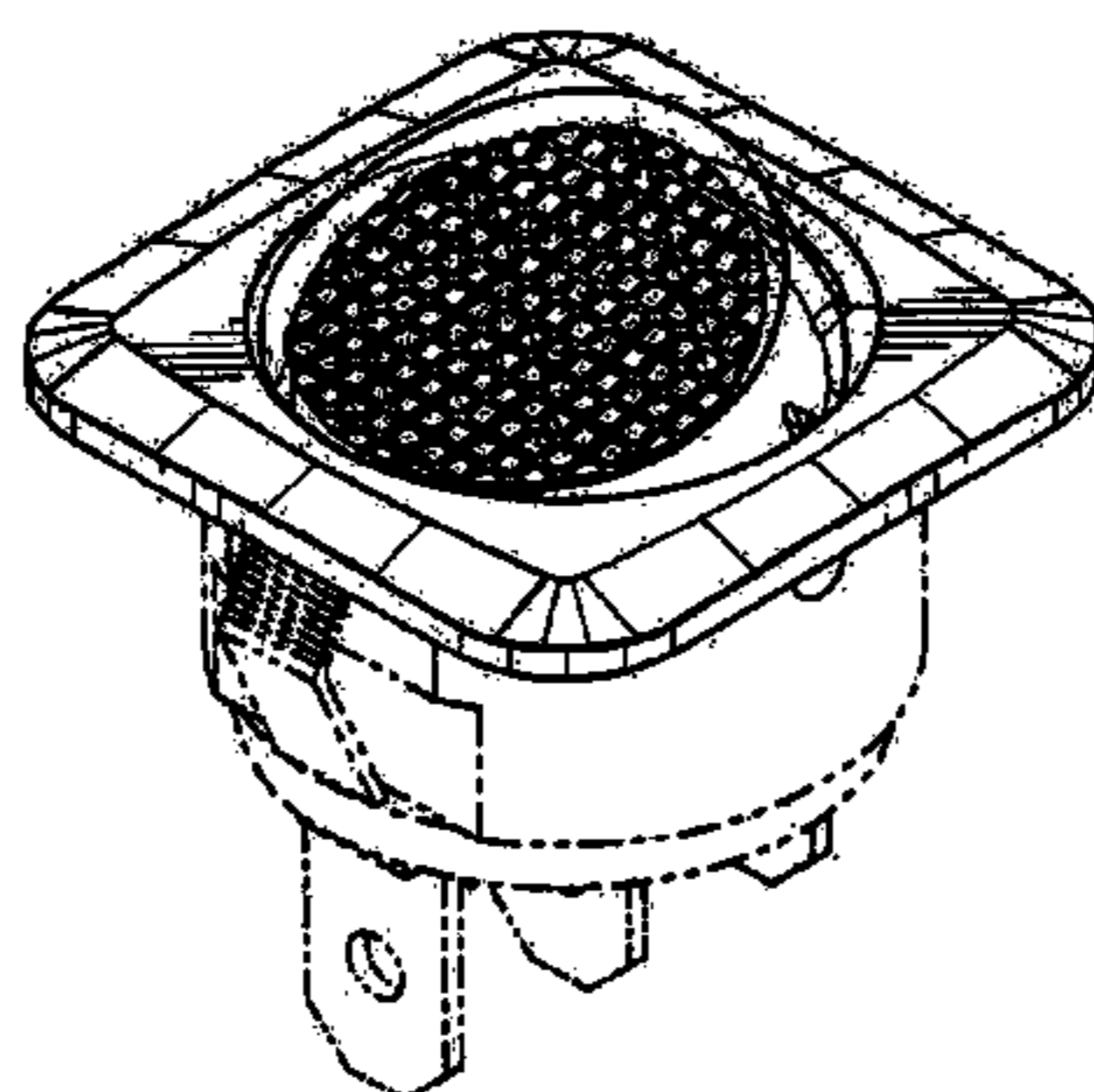
(57) **CLAIM**

The ornamental design for a top of a rocker switch and lens,
as shown and described.

DESCRIPTION

FIG. 1 is an isometric view of a top of a concave circular
rocker switch with a textured clear lens;
FIG. 2 is a left side elevation of the rocker switch top in FIG.
1;
FIG. 3 is a front elevation view of the rocker switch top in
FIG. 1;
FIG. 4 is a right side elevation of the rocker switch top in
FIG. 1;
FIG. 5 is a rear elevation view of the rocker switch top in
FIG. 1;
FIG. 6 is a top view of the rocker switch top in FIG. 1;
FIG. 7 is a bottom view of the rocker switch top in FIG. 1;
FIG. 8 is an isometric view of a top of a concave circular
rocker switch with a clear lens;
FIG. 9 is a left side elevation of the rocker switch top in FIG.
8;
FIG. 10 is a front elevation view of the rocker switch top in
FIG. 8;
FIG. 11 is a right side elevation of the rocker switch top in
FIG. 8;
FIG. 12 is a rear elevation view of the rocker switch top in
FIG. 8;
FIG. 13 is a top view of the rocker switch top in FIG. 8; and,
FIG. 14 is a bottom view of the rocker switch top in FIG. 8.
The broken lines are for illustrative purposes only and form
no part of the claimed design.

1 Claim, 4 Drawing Sheets



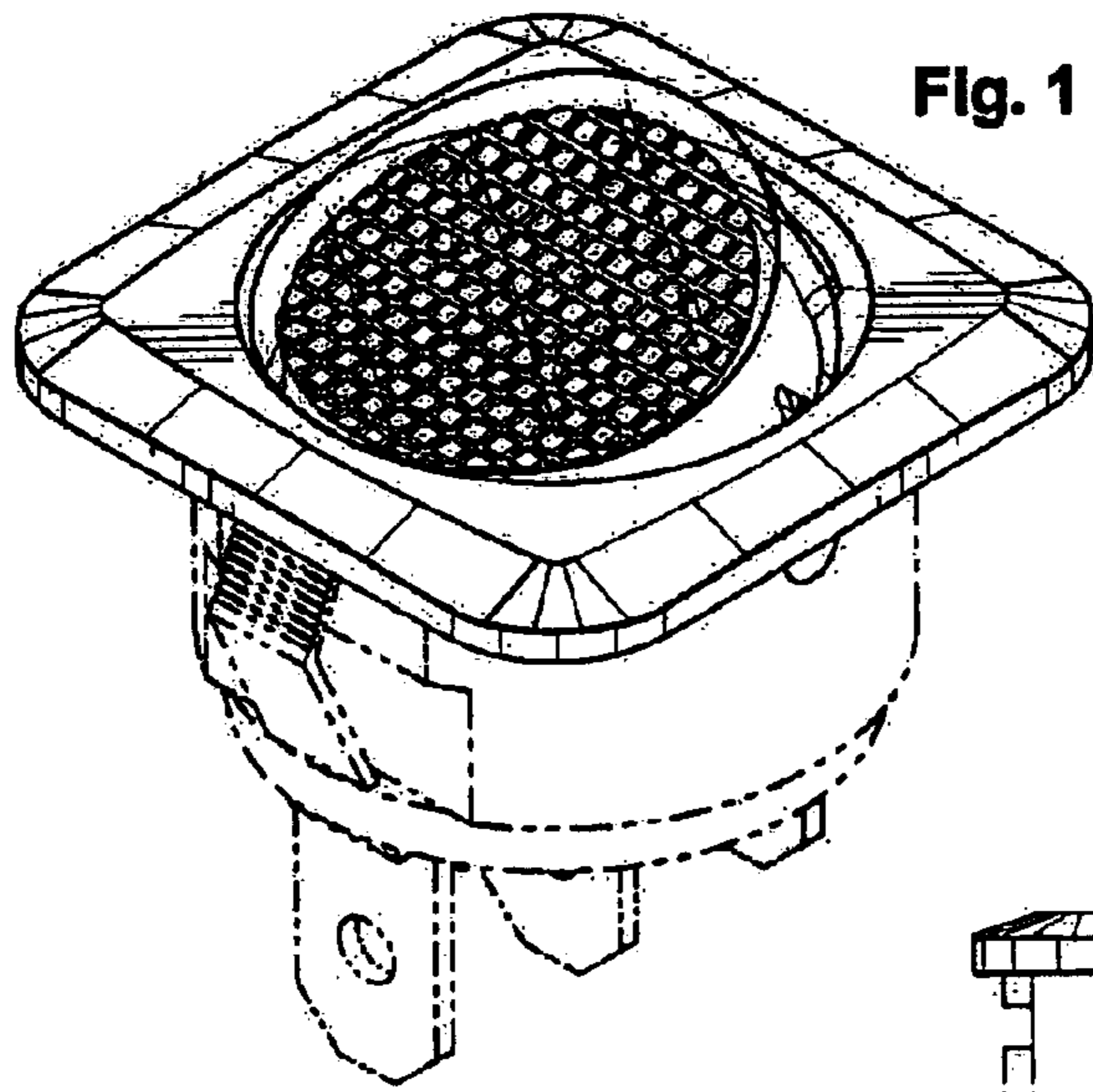


Fig. 1

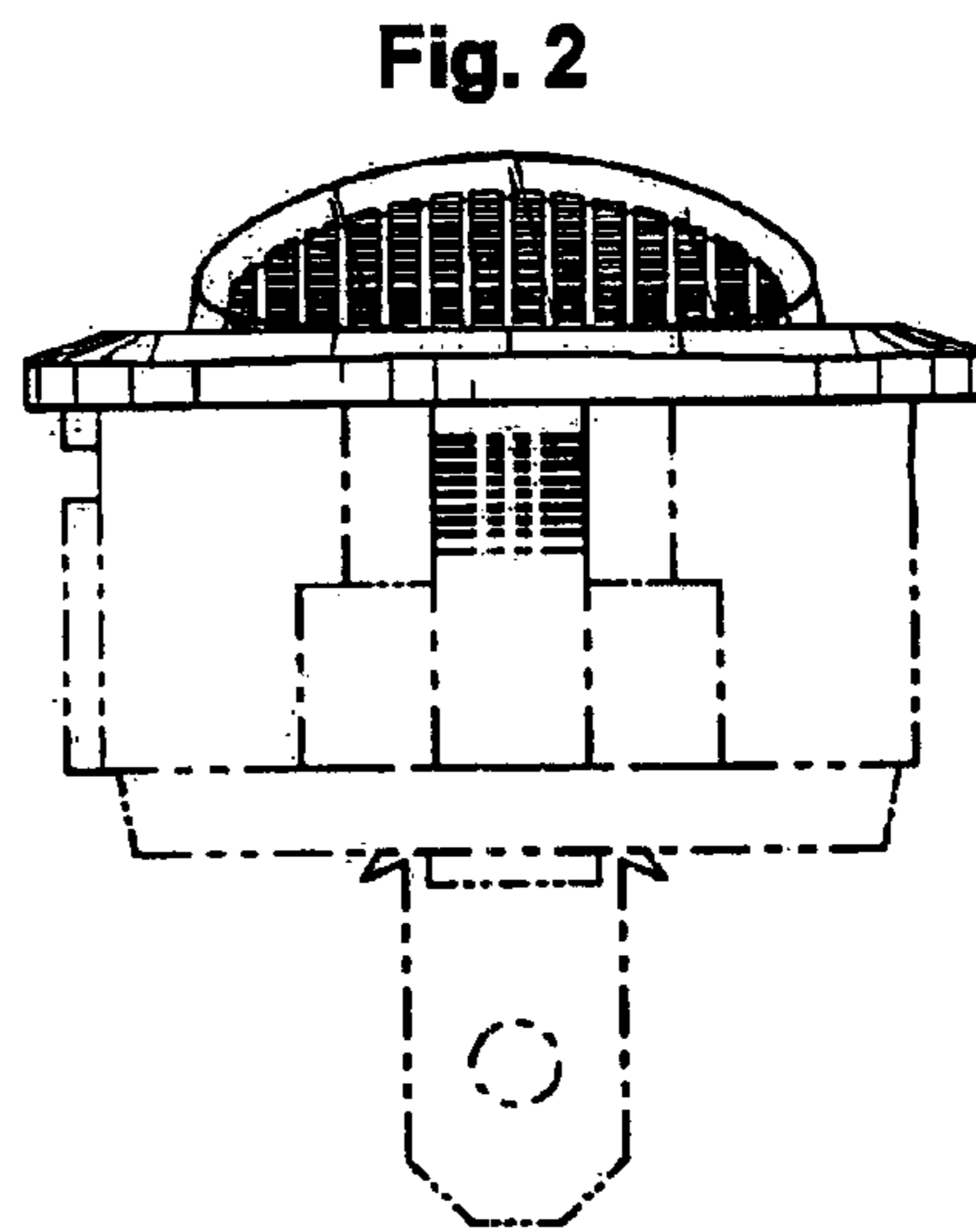


Fig. 2

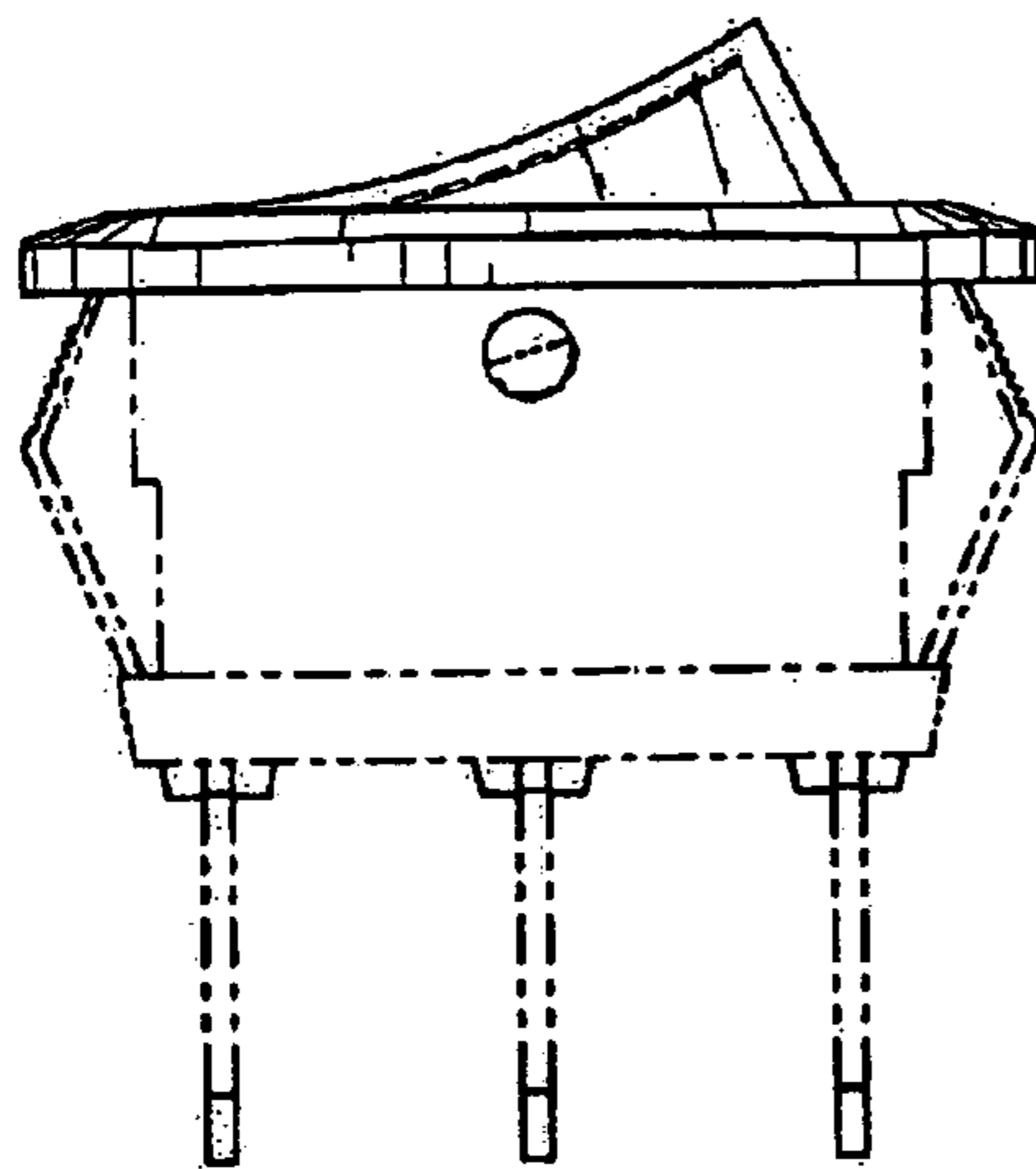


Fig. 3

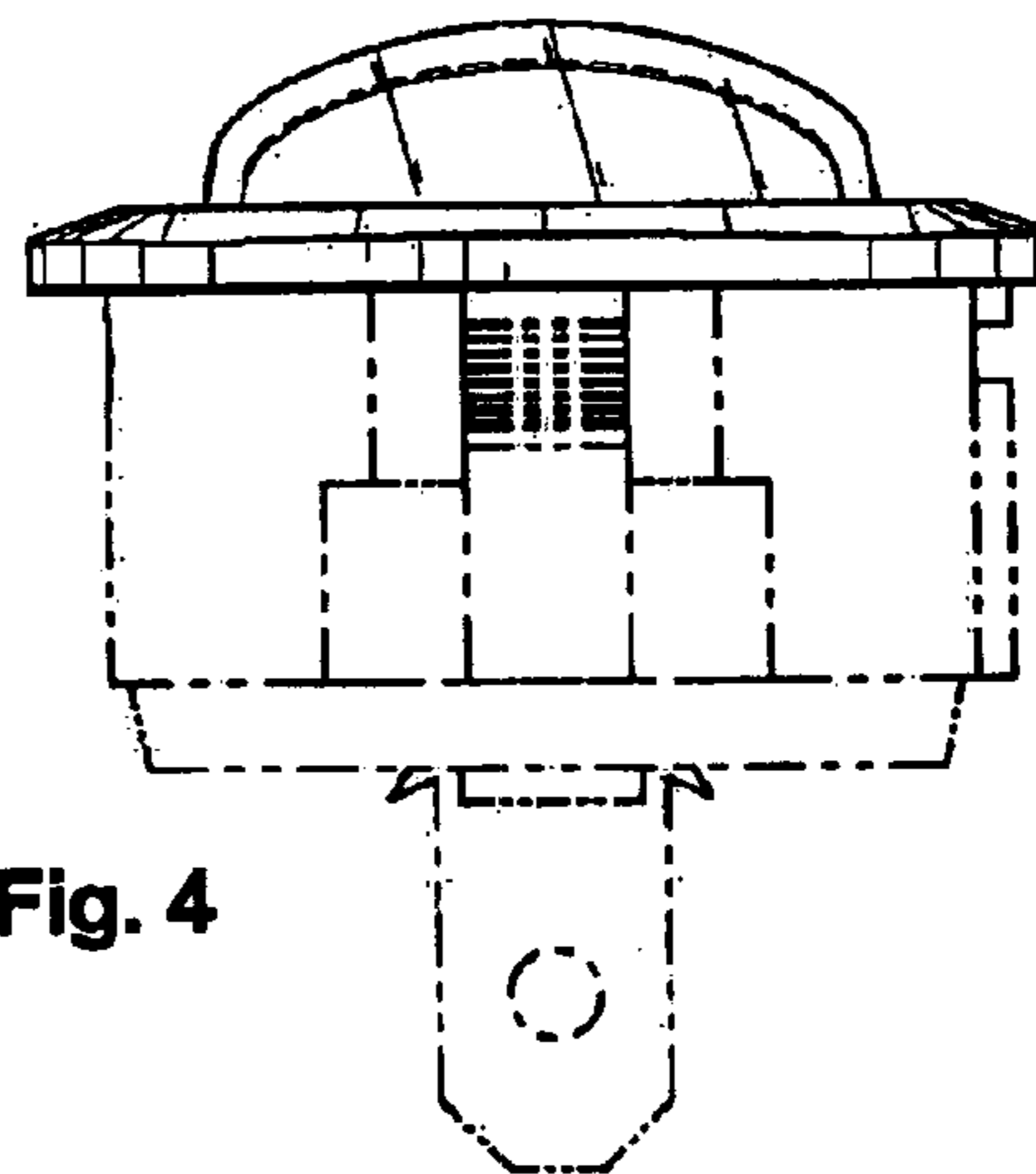


Fig. 4

Fig. 5

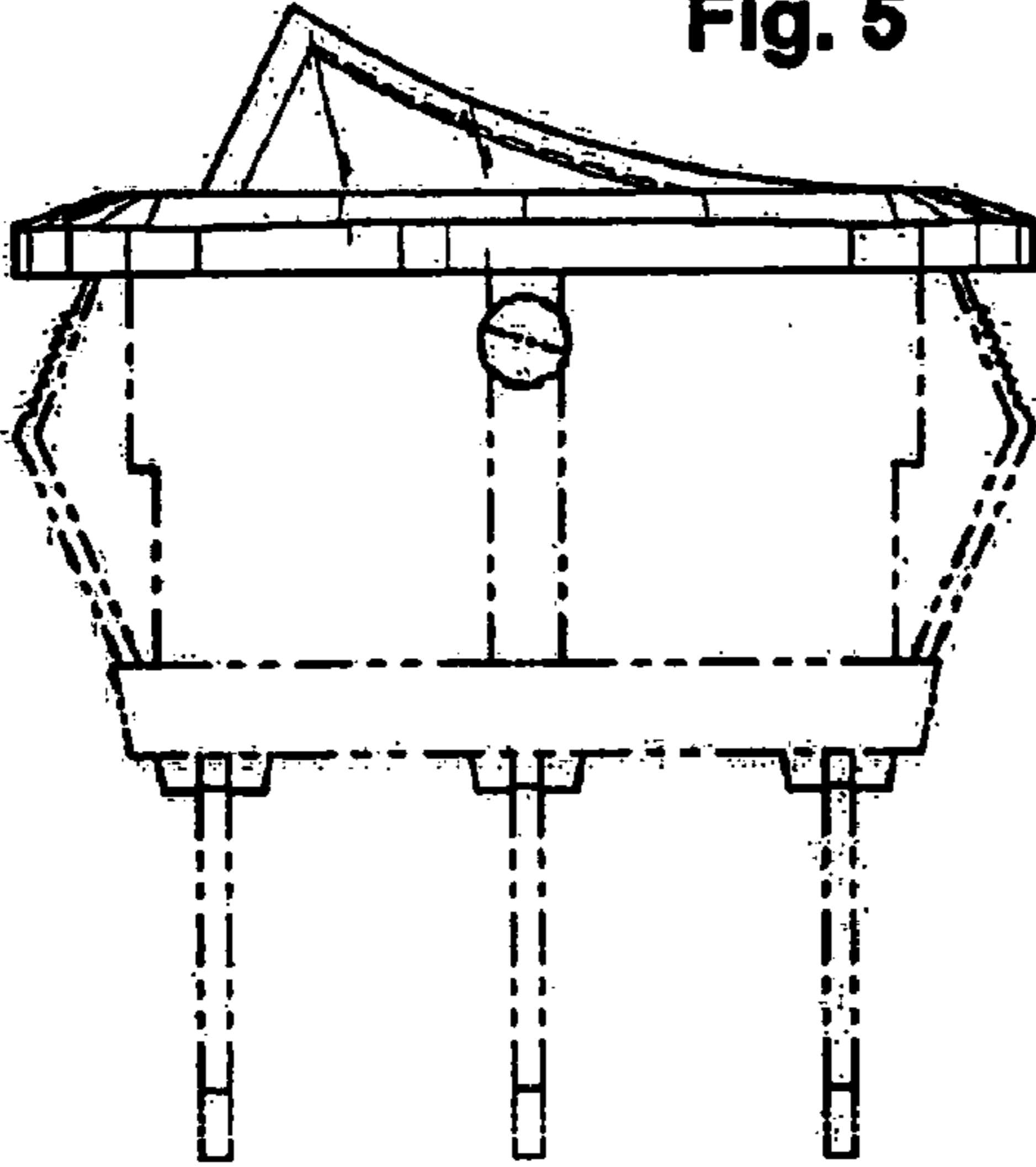


Fig. 6

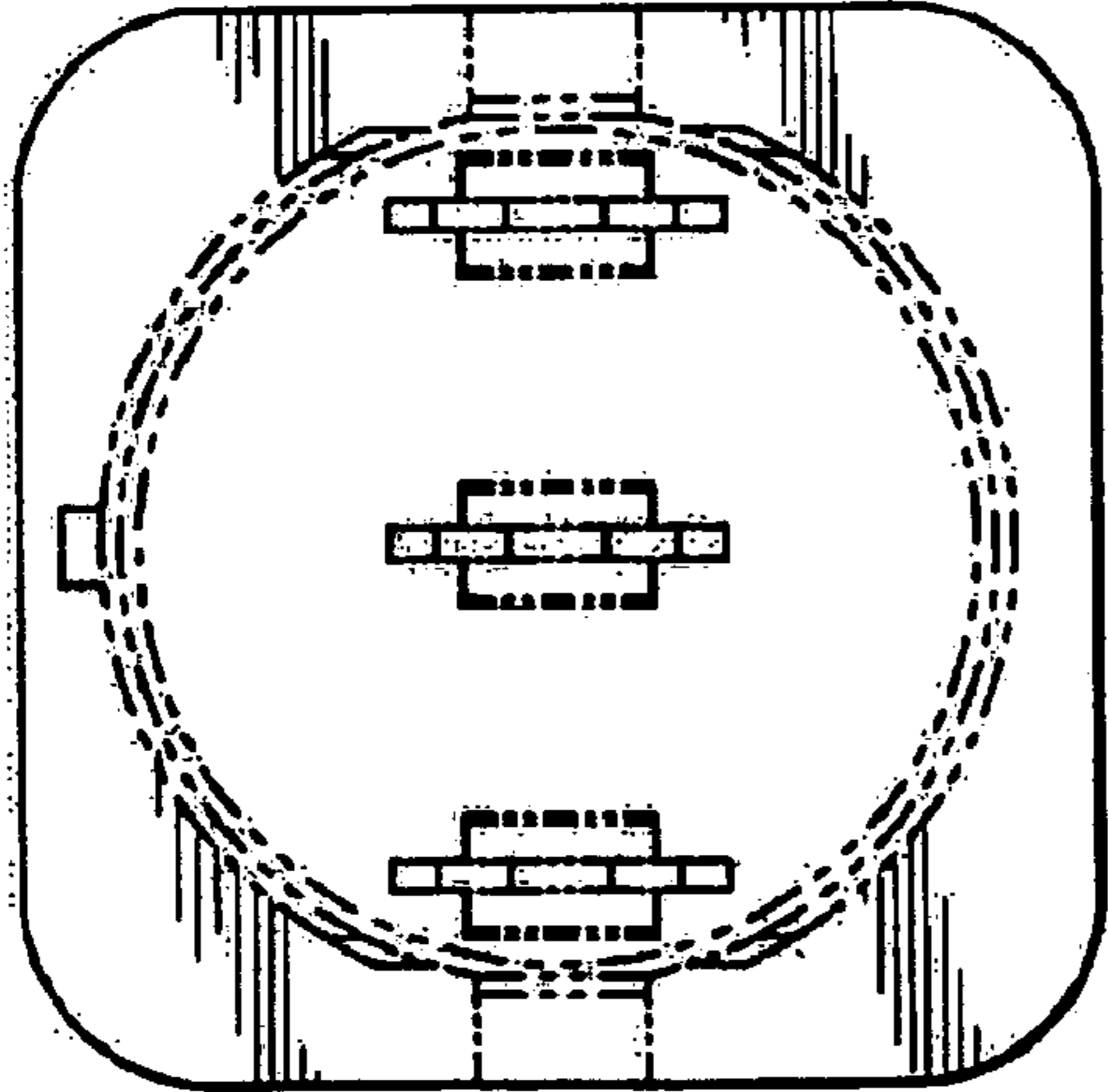
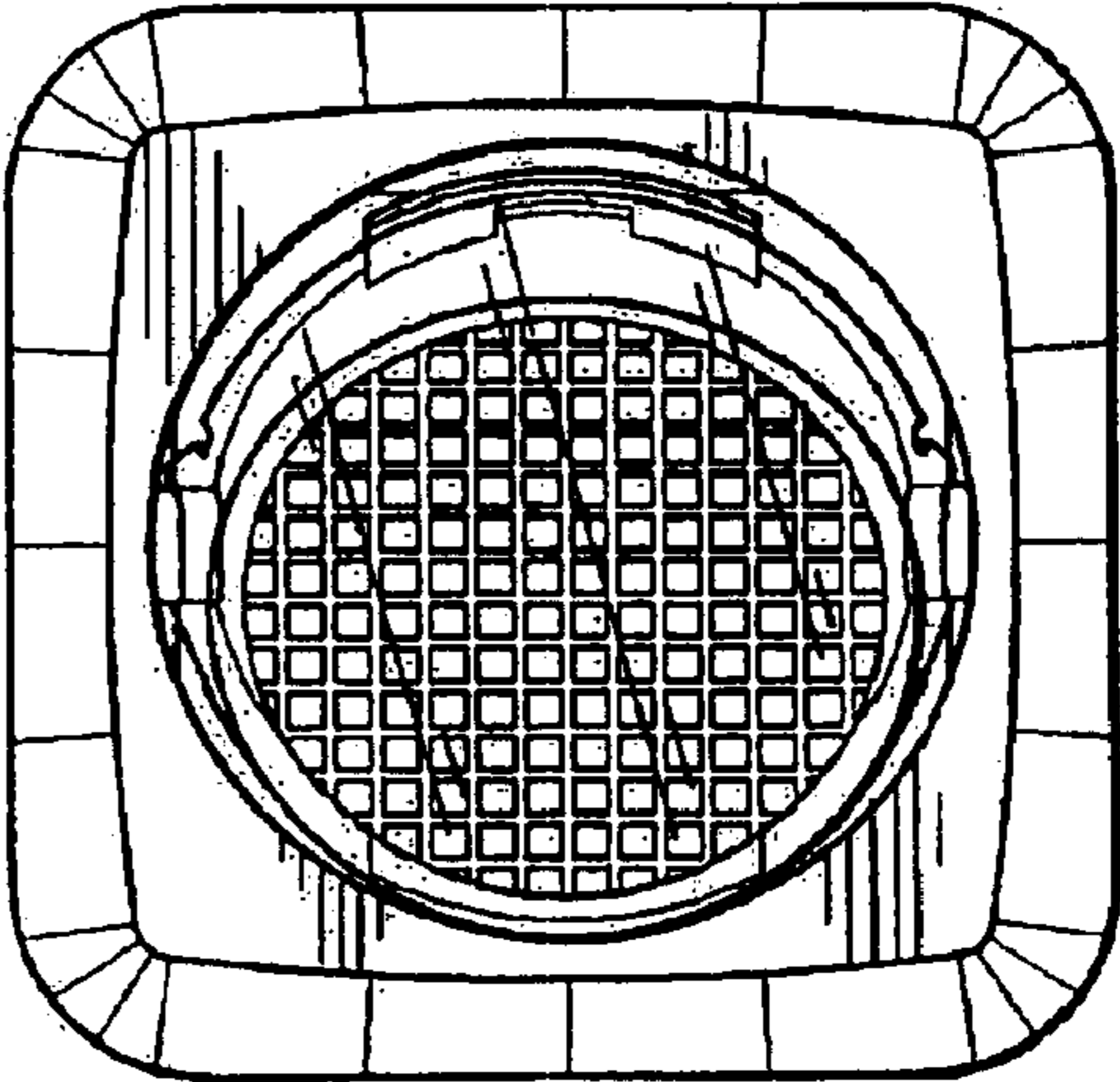


Fig. 7

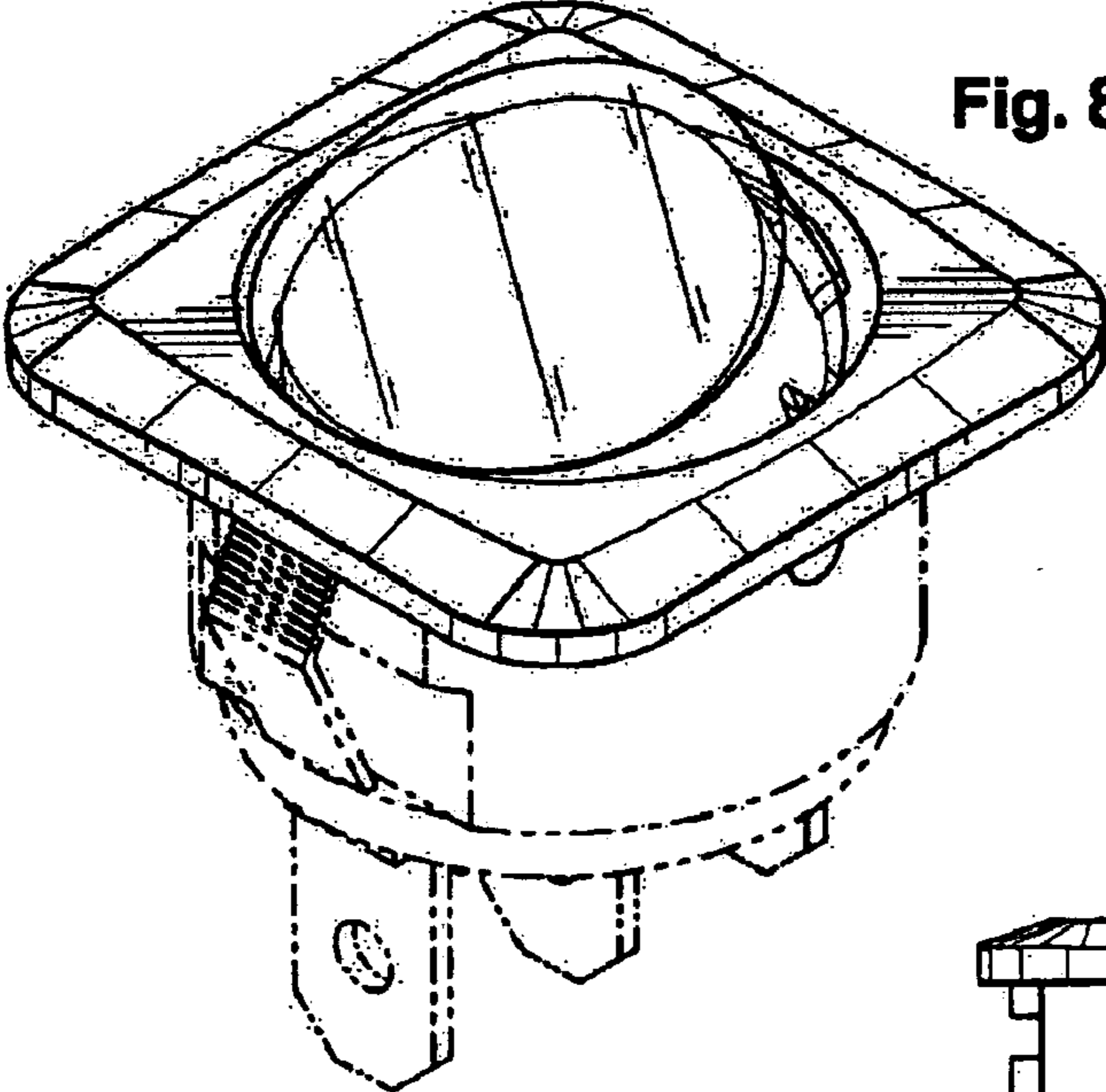


Fig. 8

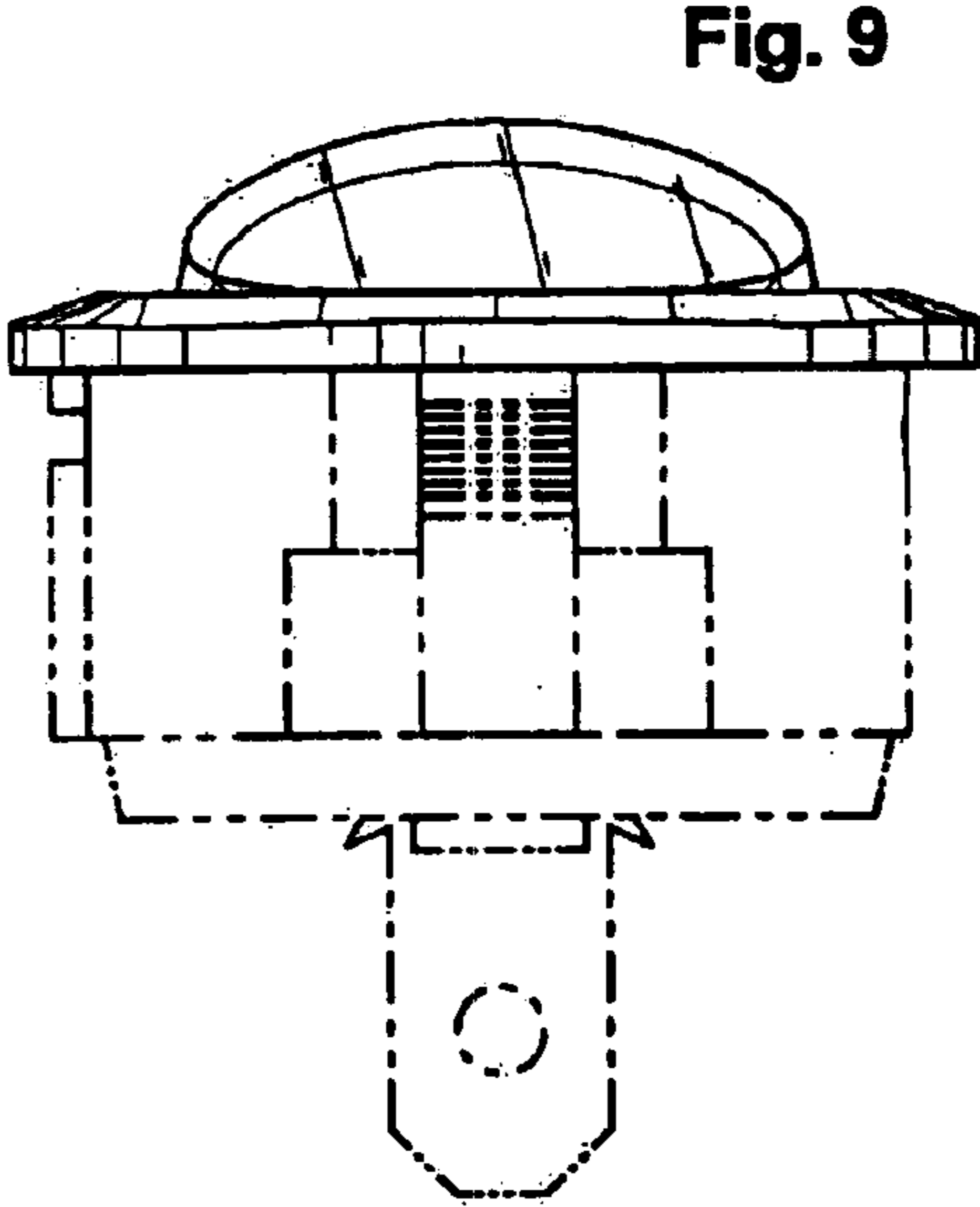


Fig. 9

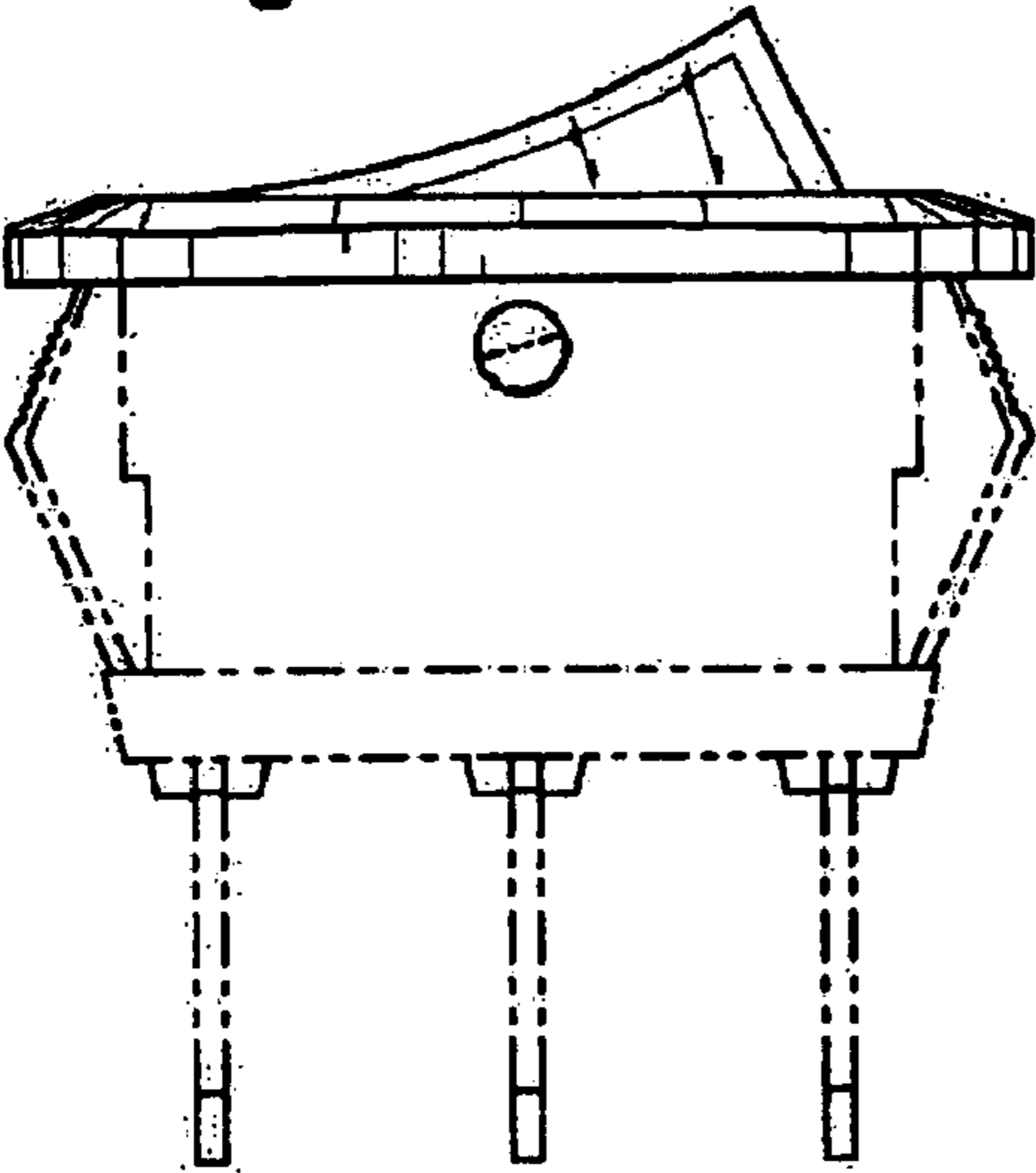


Fig. 10

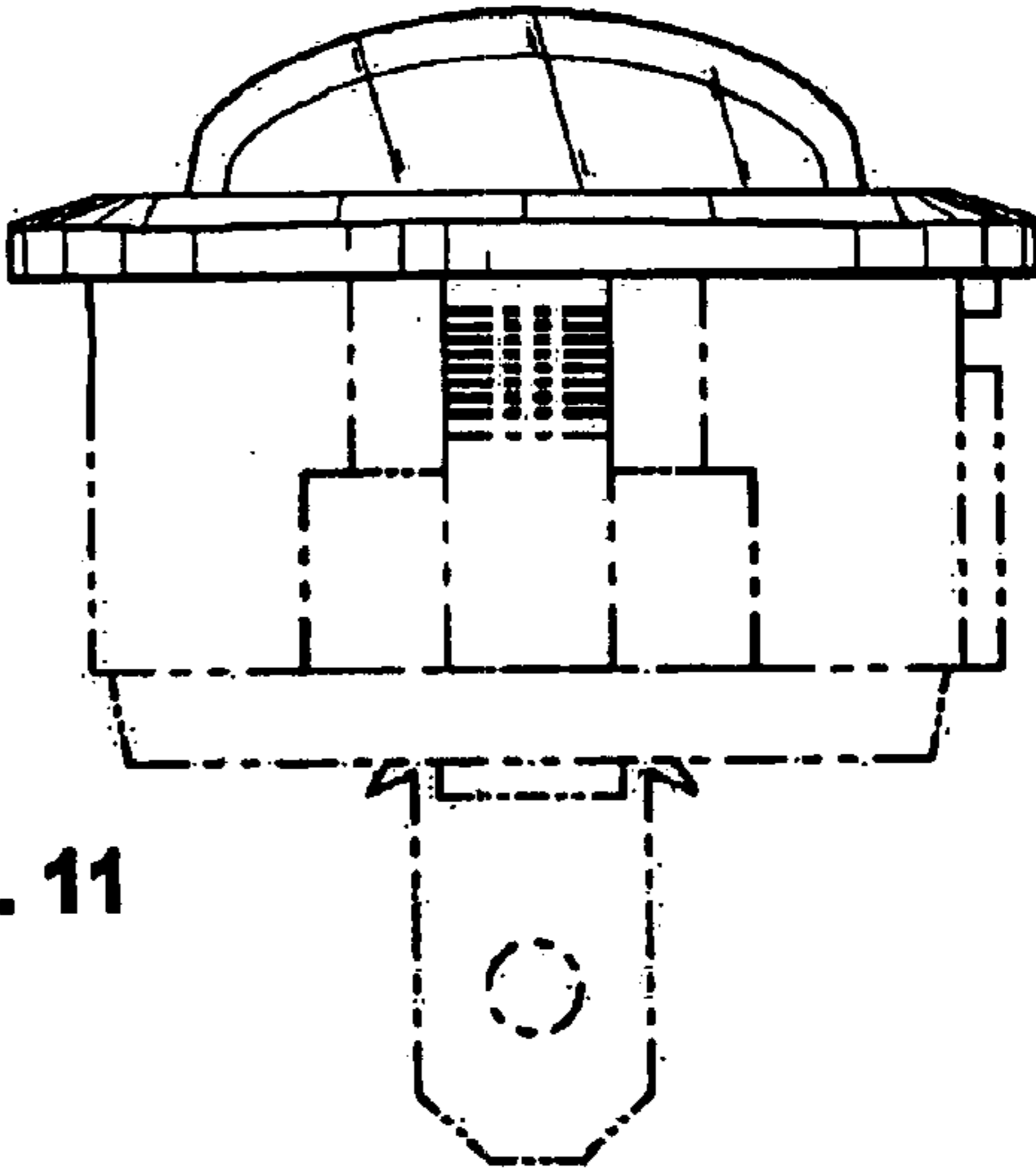


Fig. 11

Fig. 12

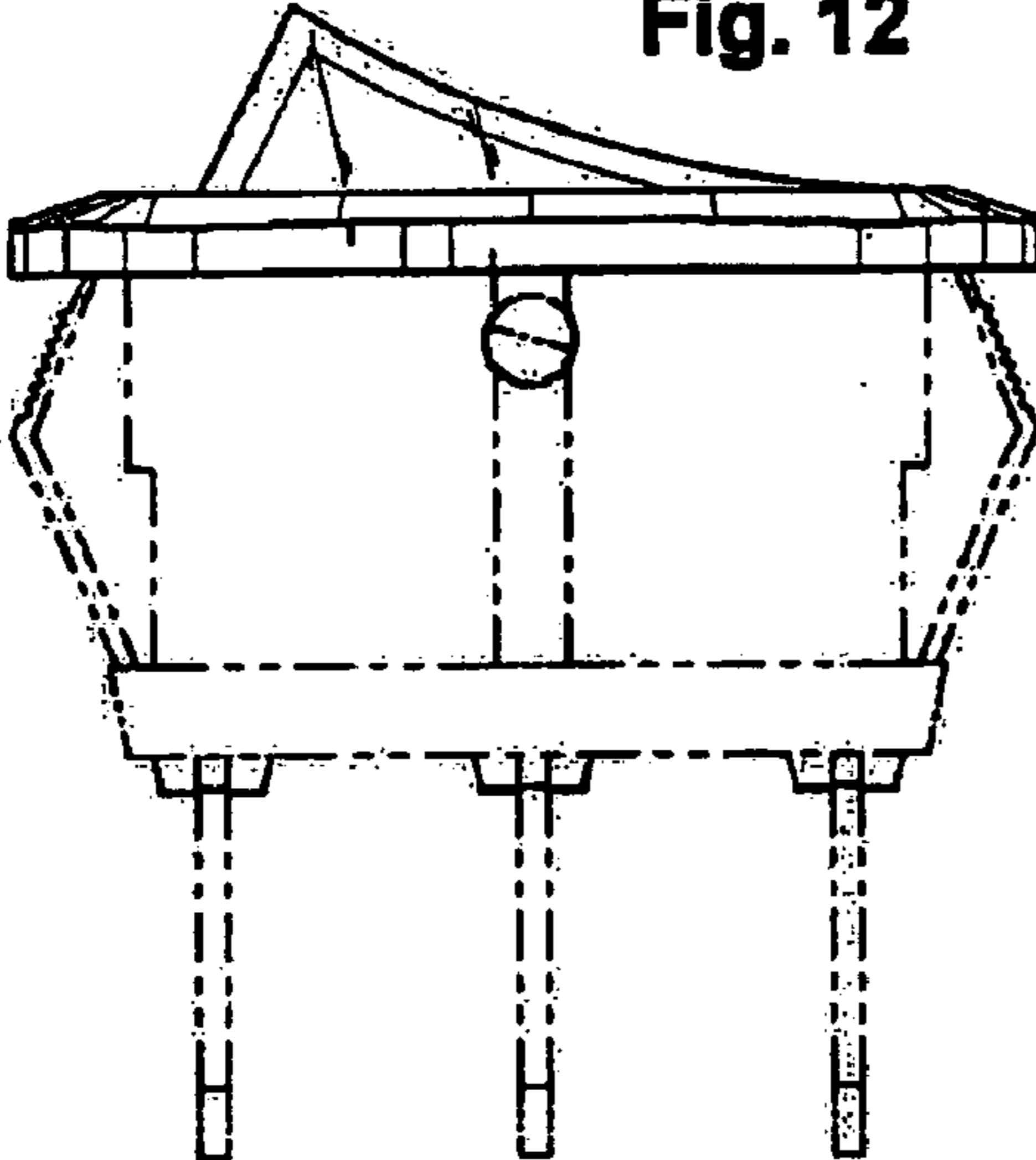


Fig. 13

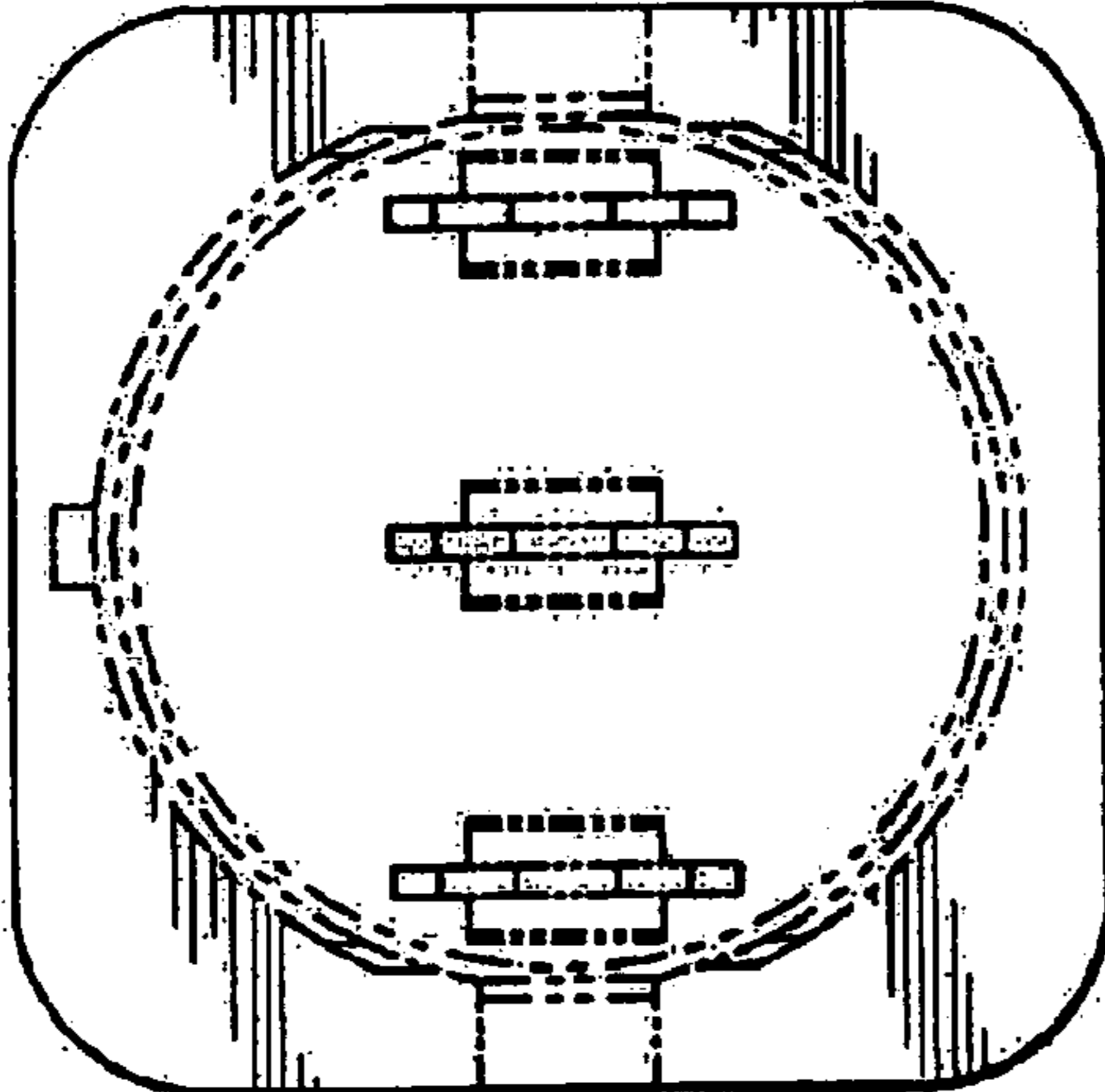
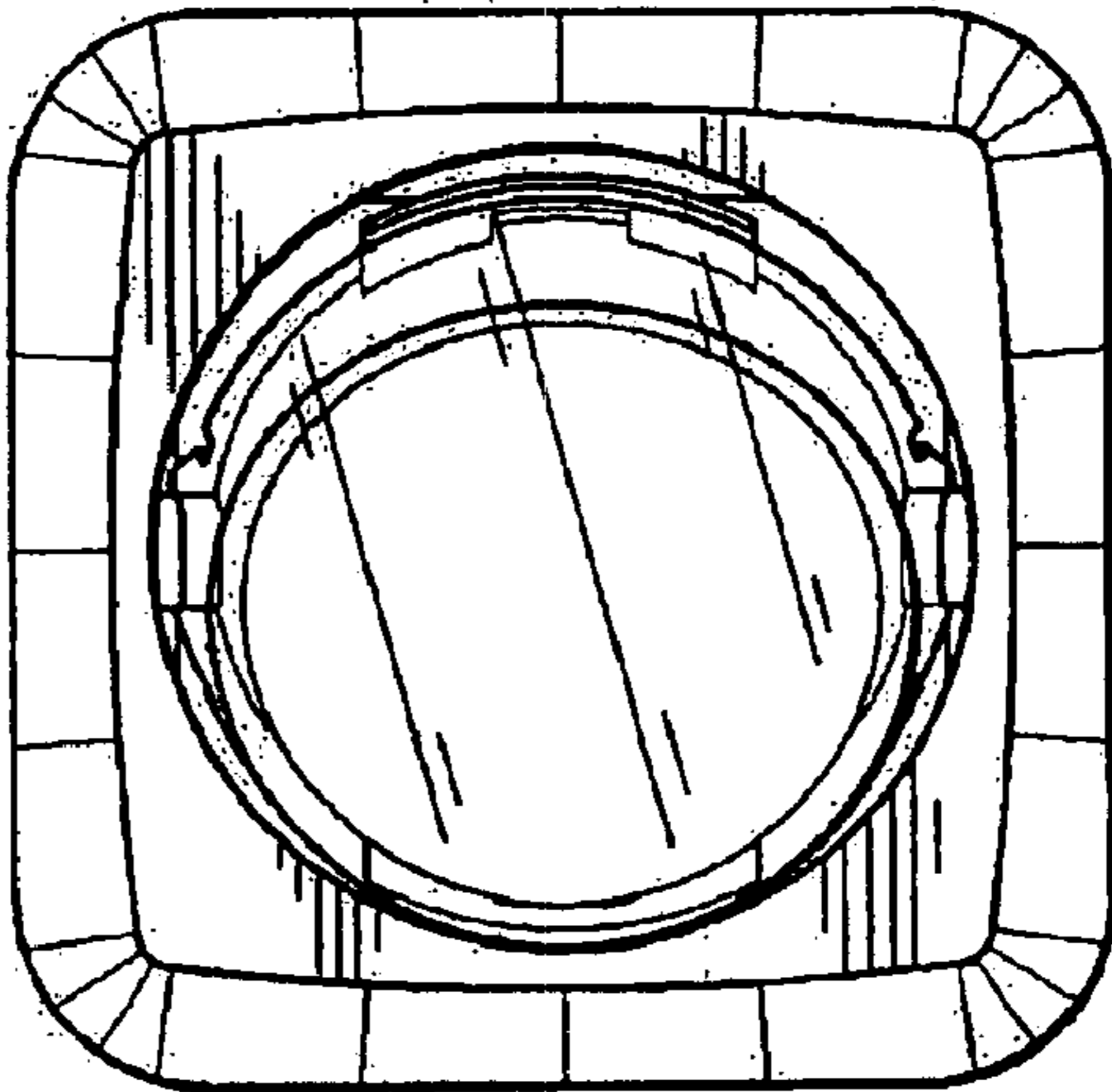


Fig. 14