

US00D506185S

(12) **United States Design Patent**
Kim

(10) **Patent No.:** **US D506,185 S**
(45) **Date of Patent:** **** Jun. 14, 2005**

(54) **CIRCUIT BREAKER FOR PROTECTING MOTOR**

(75) Inventor: **Ho Seong Kim**, Cheongju-shi (KR)

(73) Assignee: **LG Industrial Systems Co., Ltd.**, Seoul (KR)

(**) Term: **14 Years**

(21) Appl. No.: **29/179,355**

(22) Filed: **Apr. 10, 2003**

(30) **Foreign Application Priority Data**

Nov. 5, 2002 (KR) 30-2002-0031505

(51) **LOC (8) Cl.** **13-03**

(52) **U.S. Cl.** **D13/160**

(58) **Field of Search** D13/137.3, 159, D13/160, 160.1, 162, 178; 200/17 R, 50.02, 50.26, 144 R, 147 R, 244, 304, 307, 308, 318, 330, 400, 401, 552; 218/157; 335/13, 16, 20, 35, 172, 202, 167; 361/93.3, 115, 173, 652, 673

(56) **References Cited**

U.S. PATENT DOCUMENTS

D315,333 S * 3/1991 Barbier et al. D13/160

5,150,091 A * 9/1992 Hart et al. 335/202
5,493,083 A * 2/1996 Olivier 200/17 R
D406,106 S * 2/1999 Gonser D13/160
6,407,354 B1 * 6/2002 Turner et al. 218/155
6,512,192 B1 * 1/2003 Yee et al. 218/157
6,518,526 B2 * 2/2003 Hamada et al. 200/330

* cited by examiner

Primary Examiner—Stella Reid
Assistant Examiner—Selina Sikder

(74) *Attorney, Agent, or Firm*—Birch, Stewart, Kolasch & Birch LLP

(57) **CLAIM**

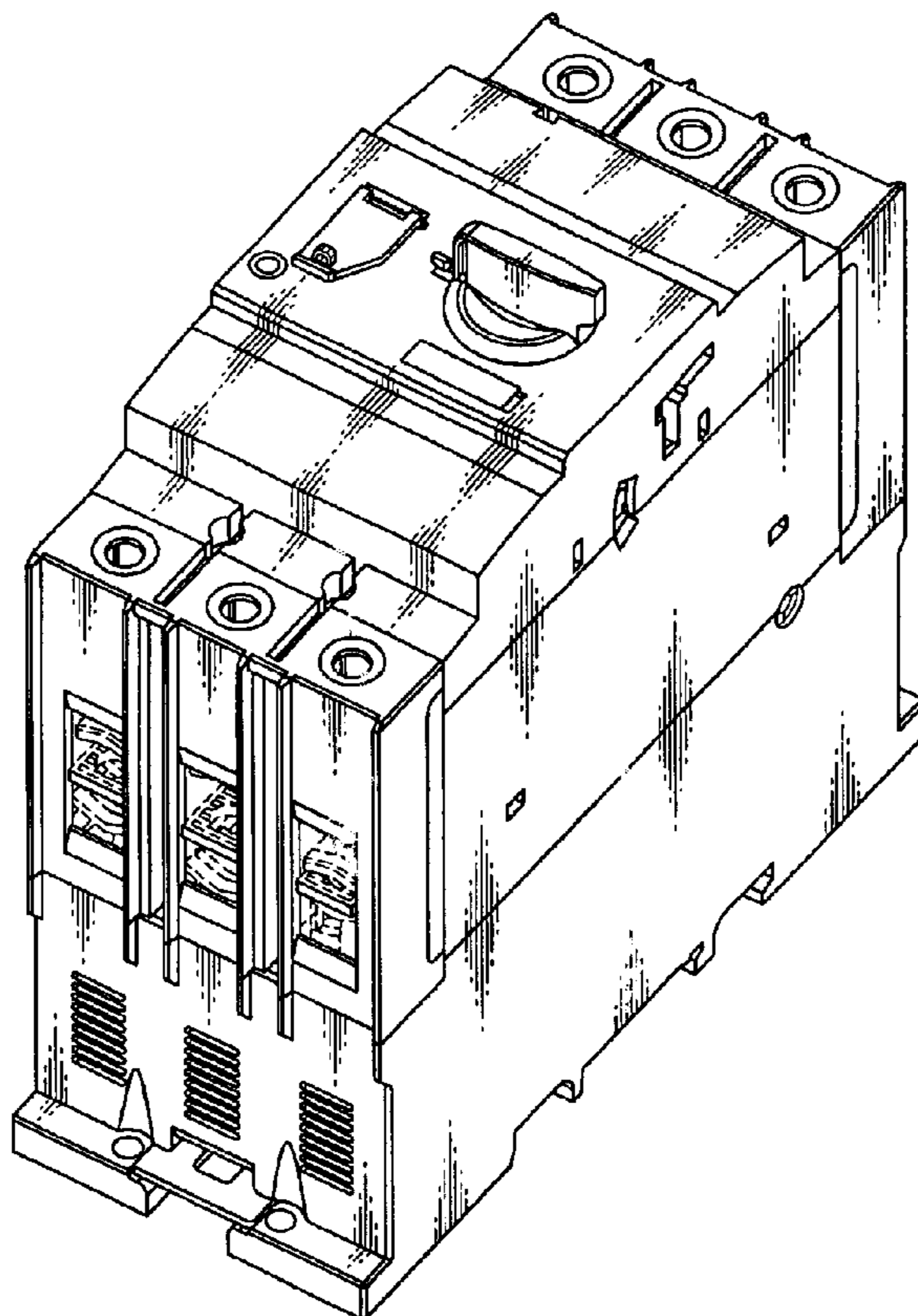
The ornamental design for a circuit breaker for protecting motor, as shown and described.

DESCRIPTION

FIG. 1 is a perspective view of a circuit breaker for protecting motor showing the new design;
FIG. 2 is a front elevation view thereof;
FIG. 3 is a rear elevation view thereof;
FIG. 4 is a left-side elevation view thereof;
FIG. 5 is a right-side elevation view thereof; and,
FIG. 6 is a top plan view thereof.

The broken line showing of the environment is for illustrative purposes only and forms no part of the claimed design.

1 Claim, 5 Drawing Sheets



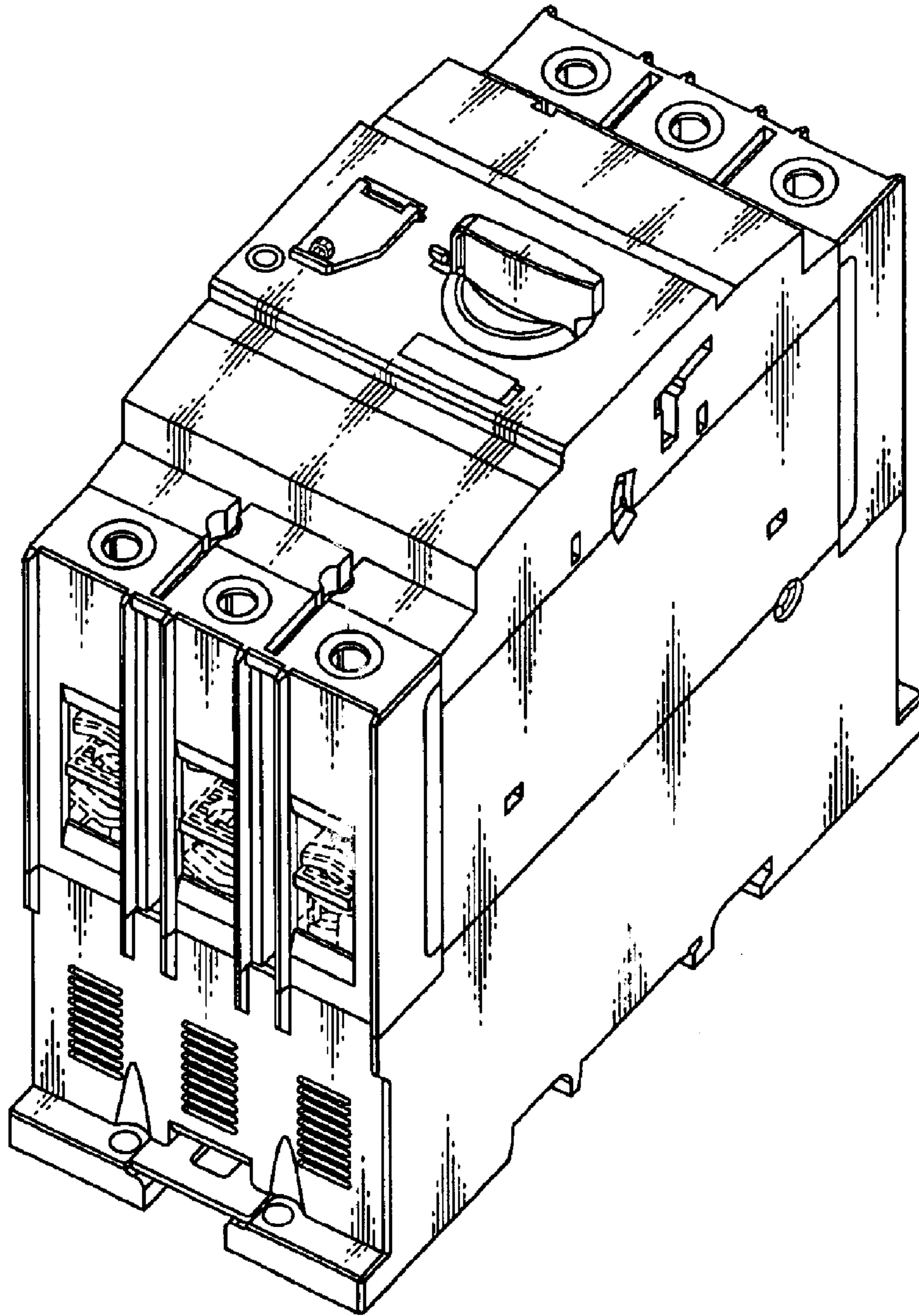


FIG. 1

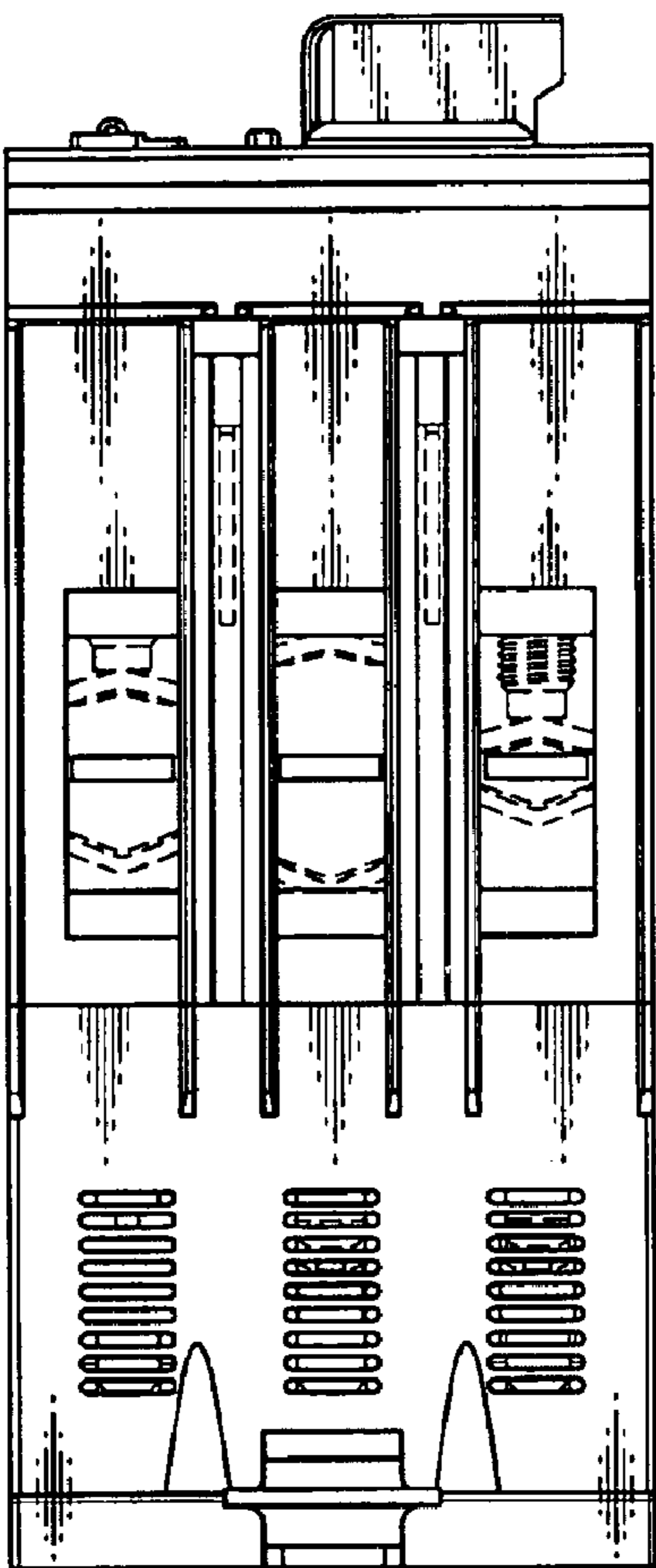


FIG. 2

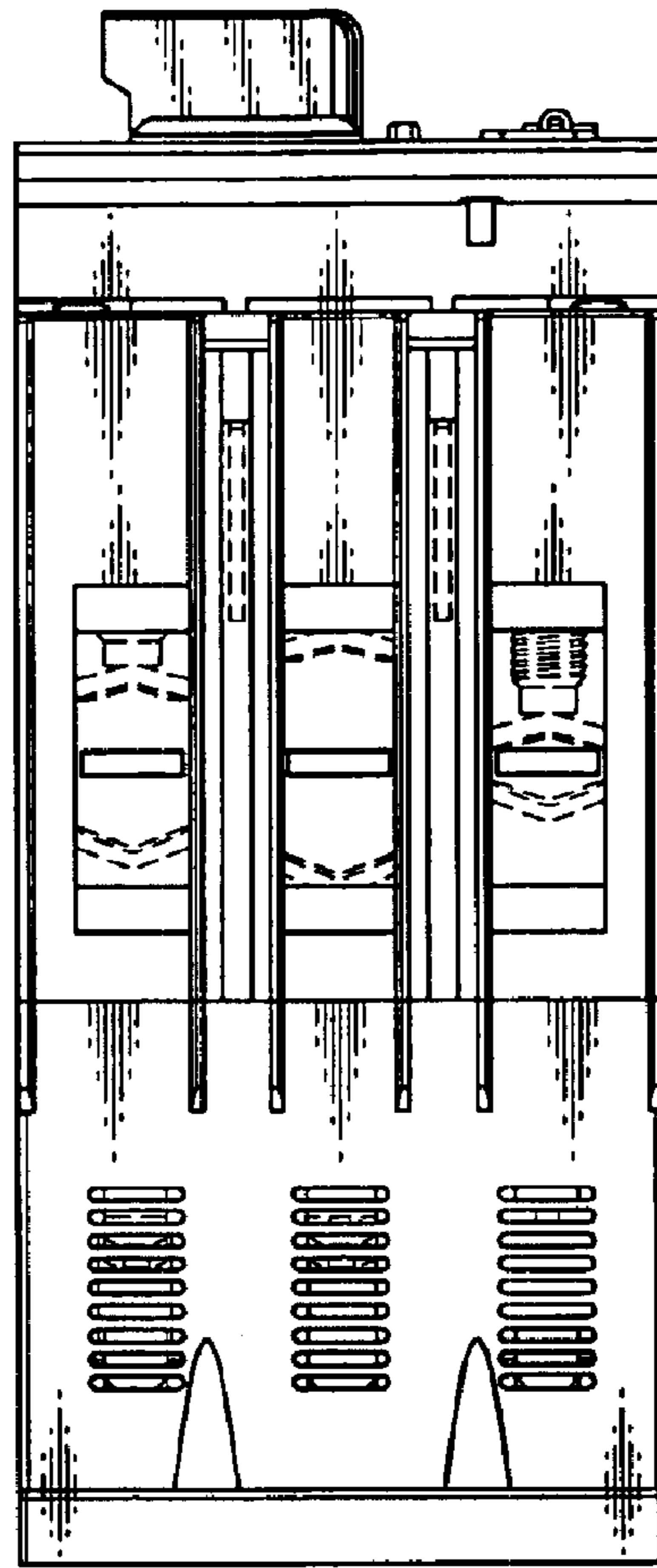


FIG. 3

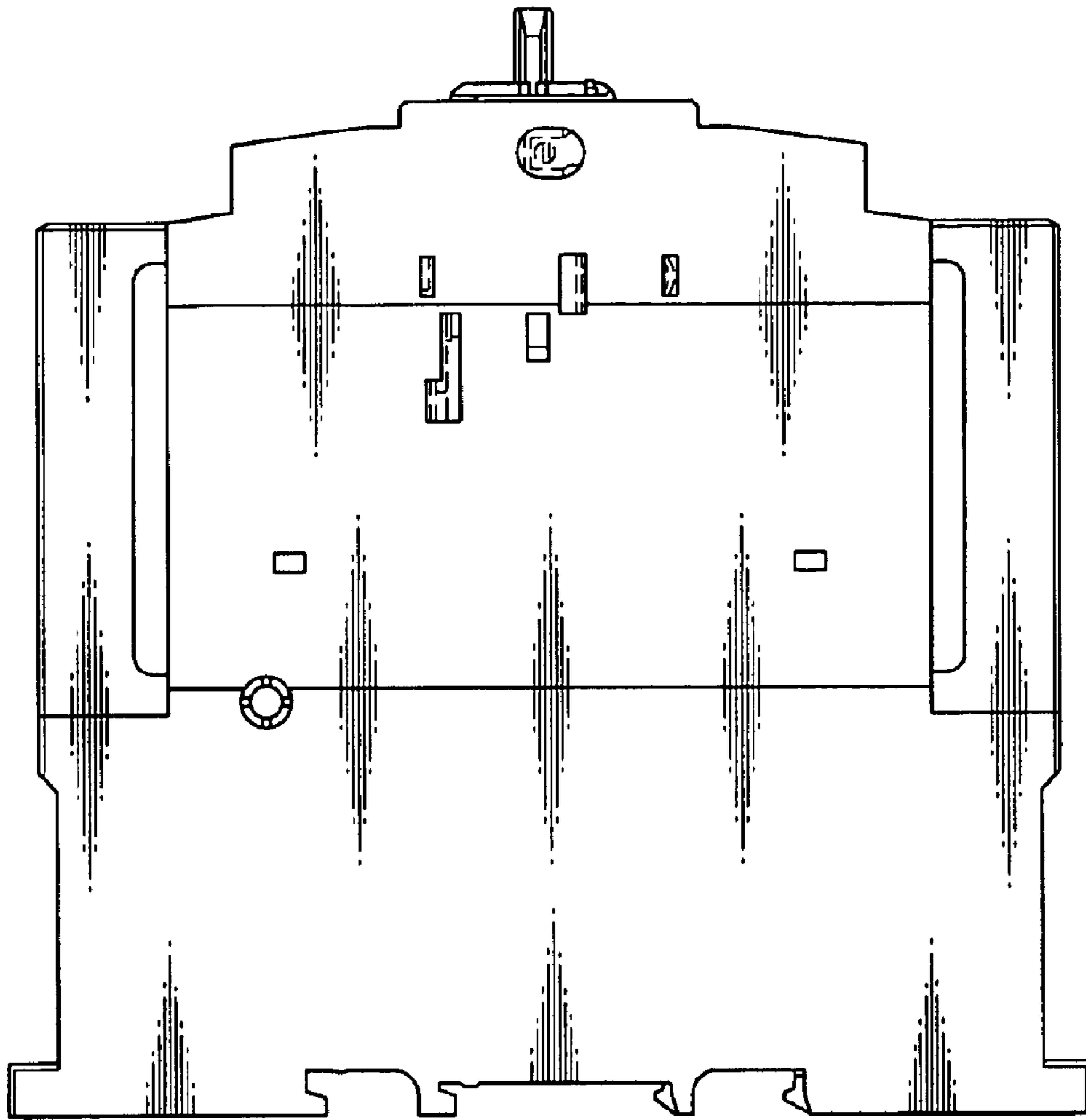


FIG. 4

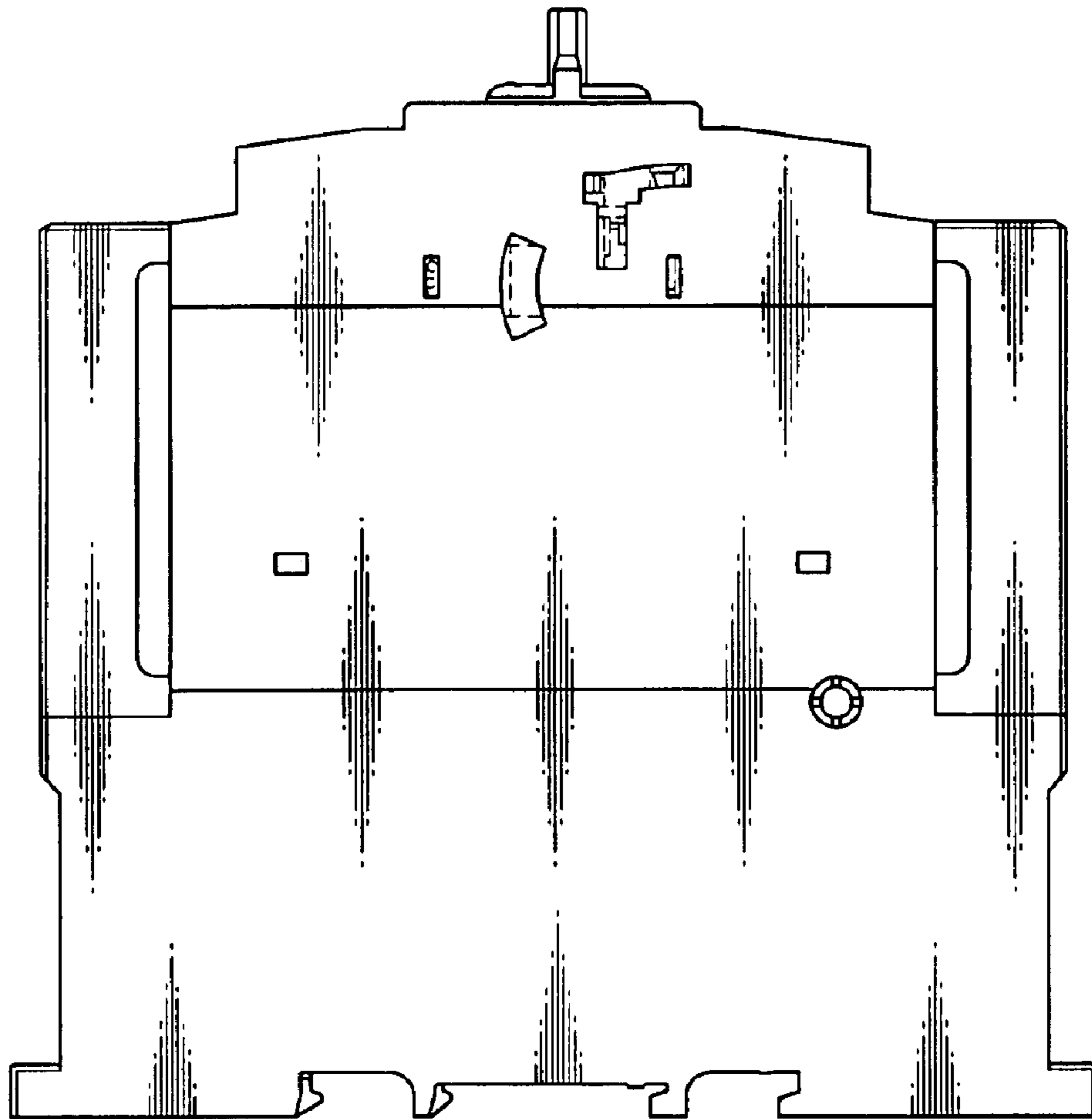


FIG. 5

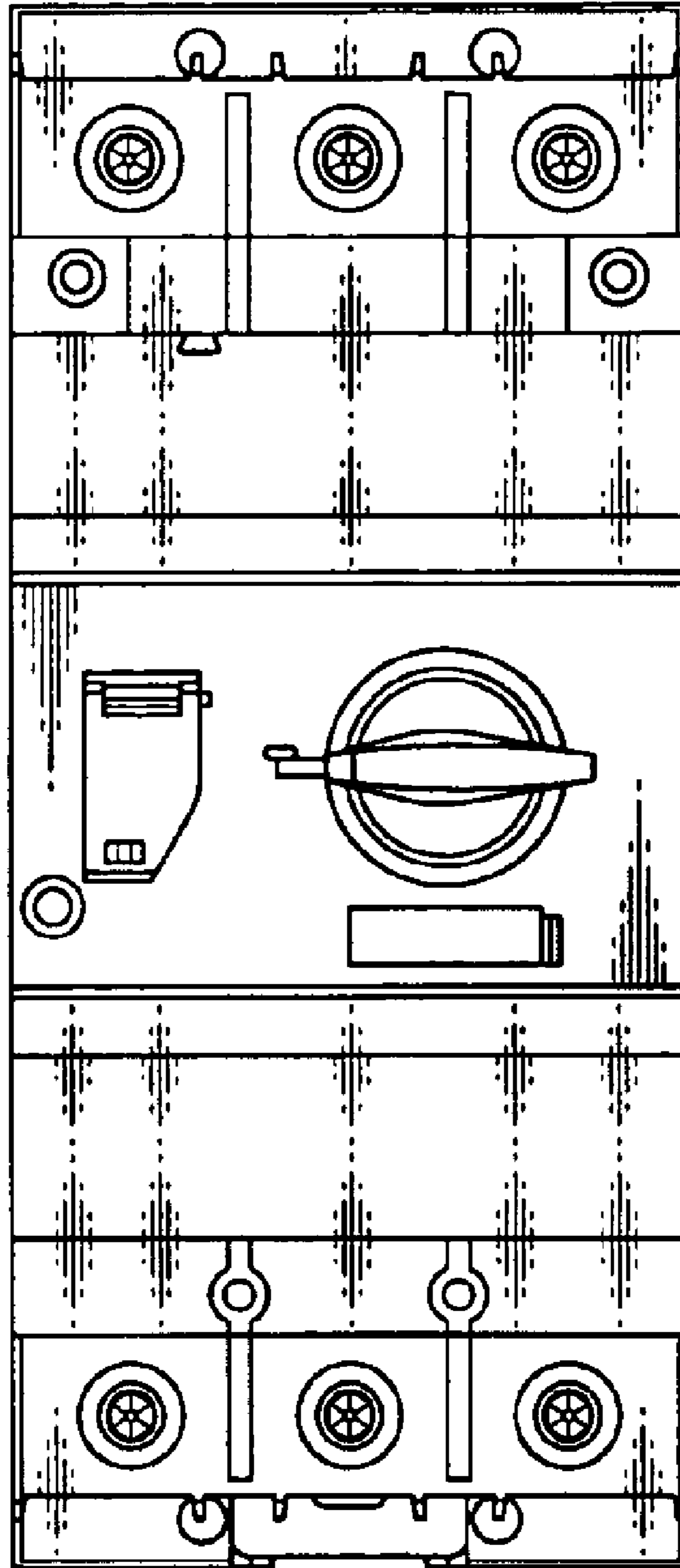


FIG.6