

US00D506183S

(12) **United States Design Patent**
Hull et al.

(10) **Patent No.: US D506,183 S**
(45) **Date of Patent: ** Jun. 14, 2005**

(54) **ELECTRICAL BOX WITH ADAPTERS**

DESCRIPTION

(75) Inventors: **Eric G. Hull**, Madison, OH (US);
Charles H. Riedy, Lakewood, OH
(US); **Robert M. Gudin**, Willoughby,
OH (US)

(73) Assignee: **The Lamson & Sessions Co.**,
Cleveland, OH (US)

(**) Term: **14 Years**

(21) Appl. No.: **29/191,439**

(22) Filed: **Oct. 7, 2003**

(51) **LOC (8) Cl.** **13-03**

(52) **U.S. Cl.** **D13/152**

(58) **Field of Search** D13/152, 153,
D13/133; 156/47; 174/15.5, 34, 50, 58;
439/949; 220/3.2

(56) **References Cited**

U.S. PATENT DOCUMENTS

607,989 A * 7/1898 Erickson et al. 220/3.94
609,356 A * 8/1898 Krantz 220/3.8

* cited by examiner

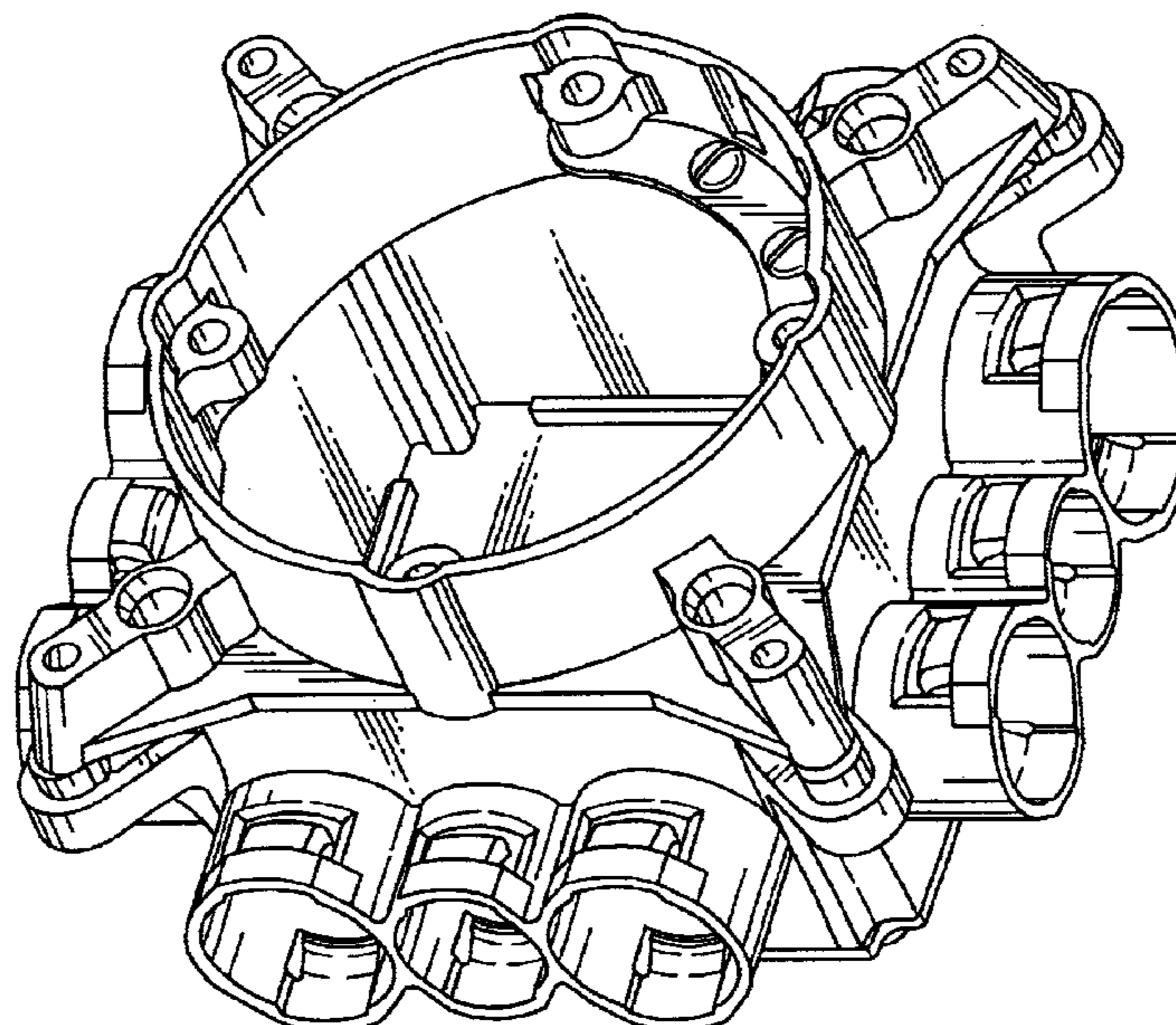
Primary Examiner—Alan P. Douglas
(74) *Attorney, Agent, or Firm*—Jones Day

(57) **CLAIM**

The ornamental design for an electrical box with adapters, as shown and described.

FIG. 1 is a perspective view of our new design for an electrical box with adapters with a ceiling adaptor; FIG. 2 is a top view thereof; FIG. 3 is a bottom view thereof; FIG. 4 is a side view thereof; FIG. 5 is an opposite side view thereof; FIG. 6 is a different side view thereof; FIG. 7 is an opposite side view thereof; FIG. 8 is a perspective view of a second embodiment of the electrical box with adapters showing our new design with a two gang adaptor; FIG. 9 is a top view thereof; FIG. 10 is a bottom view thereof; FIG. 11 is a side view thereof; FIG. 12 is an opposite side view thereof; FIG. 13 is a different side view thereof; FIG. 14 is an opposite side view thereof; FIG. 15 is a perspective view of a third embodiment of the electrical box with adapters showing our new design with a single gang adaptor; FIG. 16 is a top view thereof; FIG. 17 is a bottom view thereof; FIG. 18 is a side view thereof; FIG. 19 is an opposite side view thereof; FIG. 20 is a different side view thereof; FIG. 21 is an opposite side view thereof; FIG. 22 is a perspective view of a fourth embodiment of the electrical box with adapters showing our new design with a four square adaptor; FIG. 23 is a top view thereof; FIG. 24 is a bottom view thereof; FIG. 25 is a side view thereof; FIG. 26 is an opposite side view thereof; FIG. 27 is a different side view thereof; and, FIG. 28 is an opposite side view thereof.

1 Claim, 20 Drawing Sheets



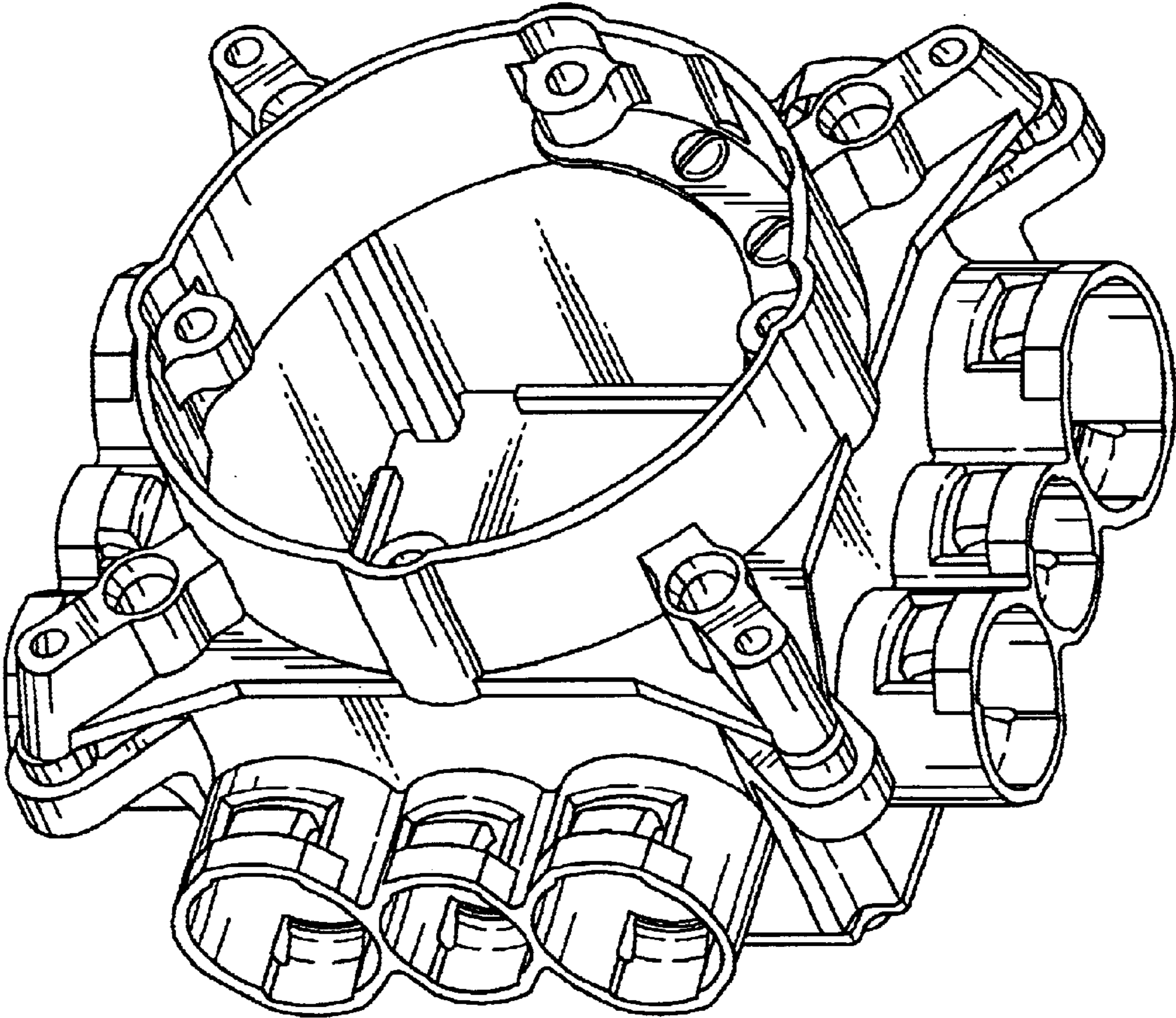


FIG. 1

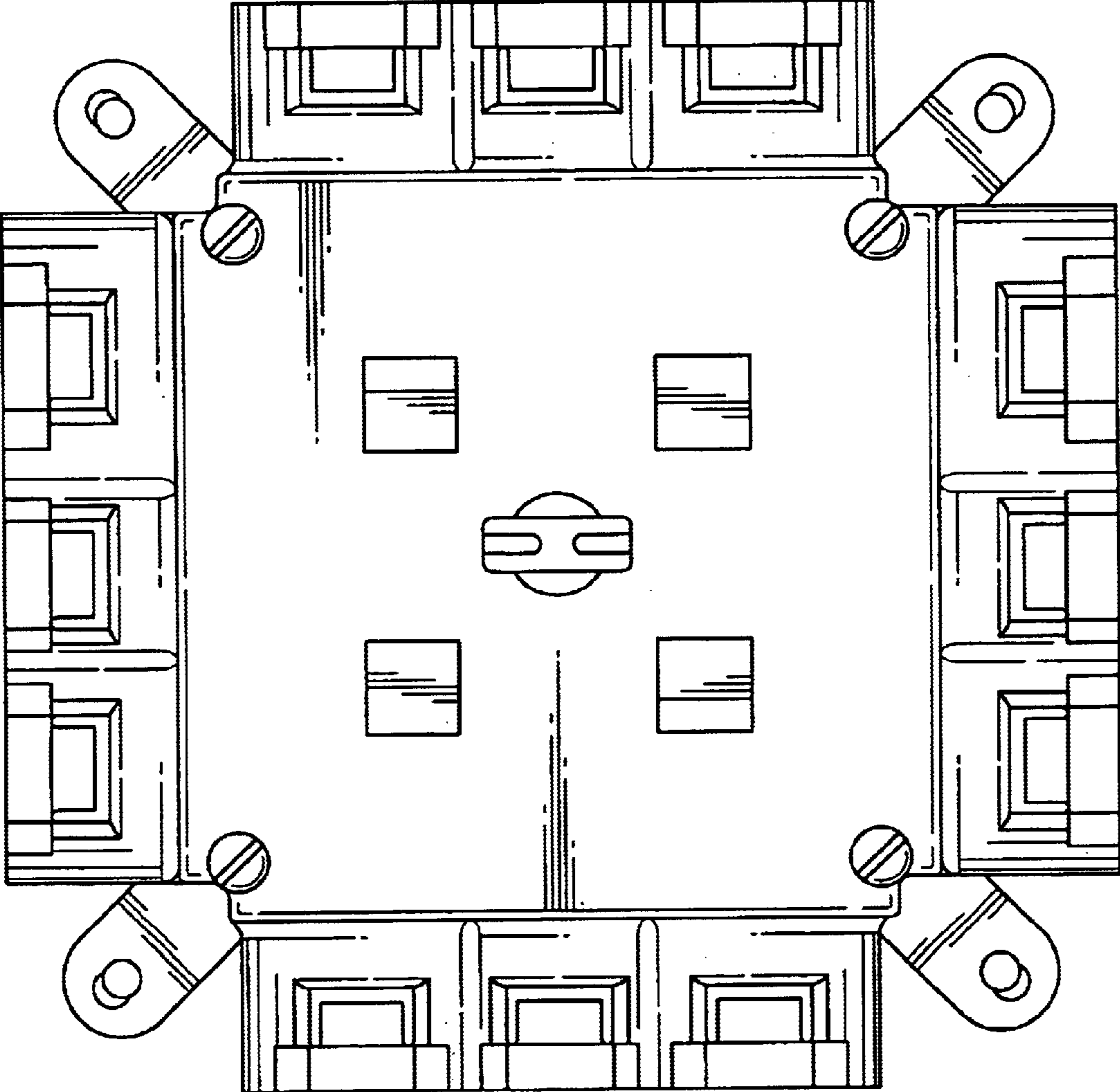


FIG. 2

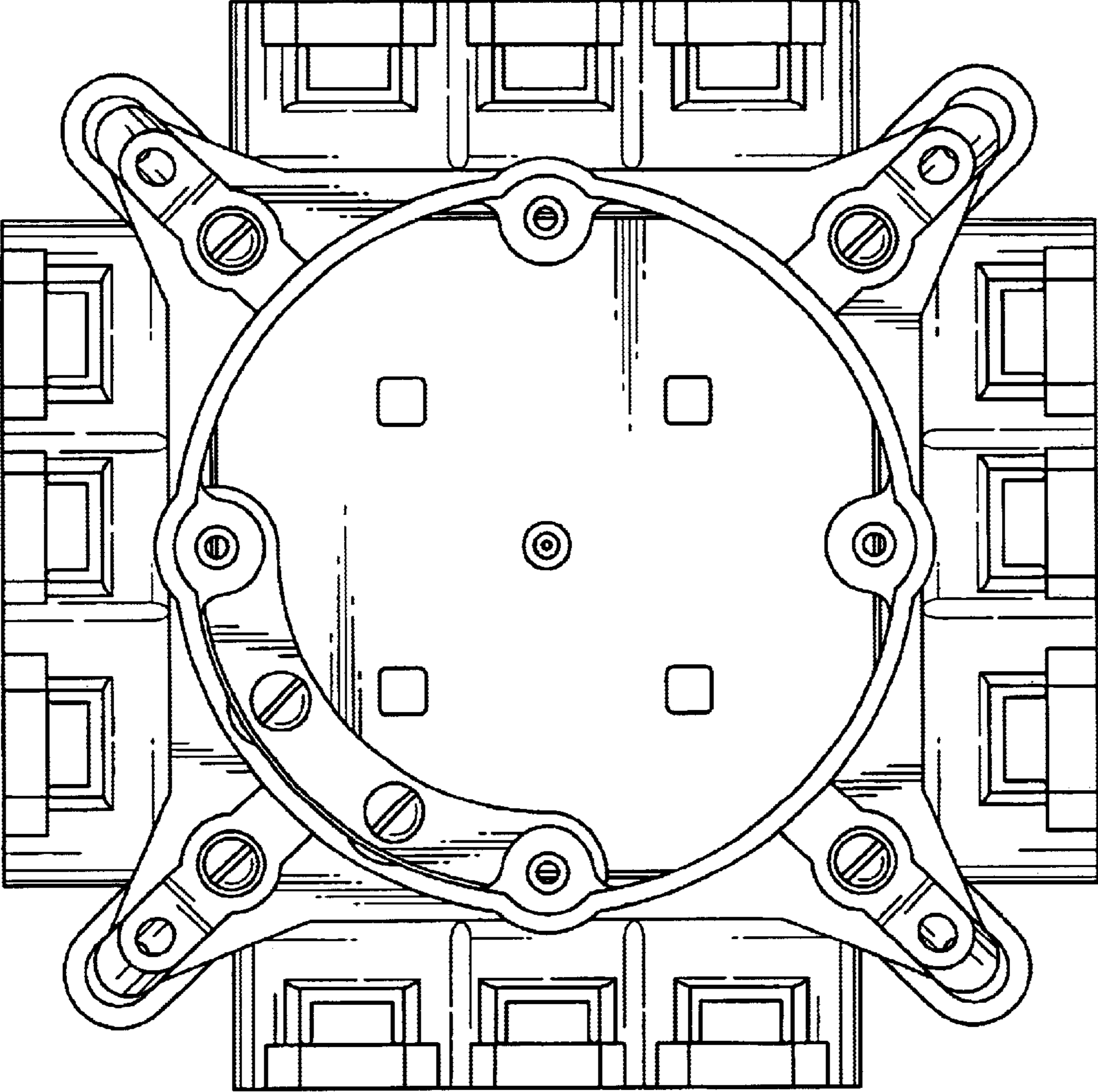


FIG. 3

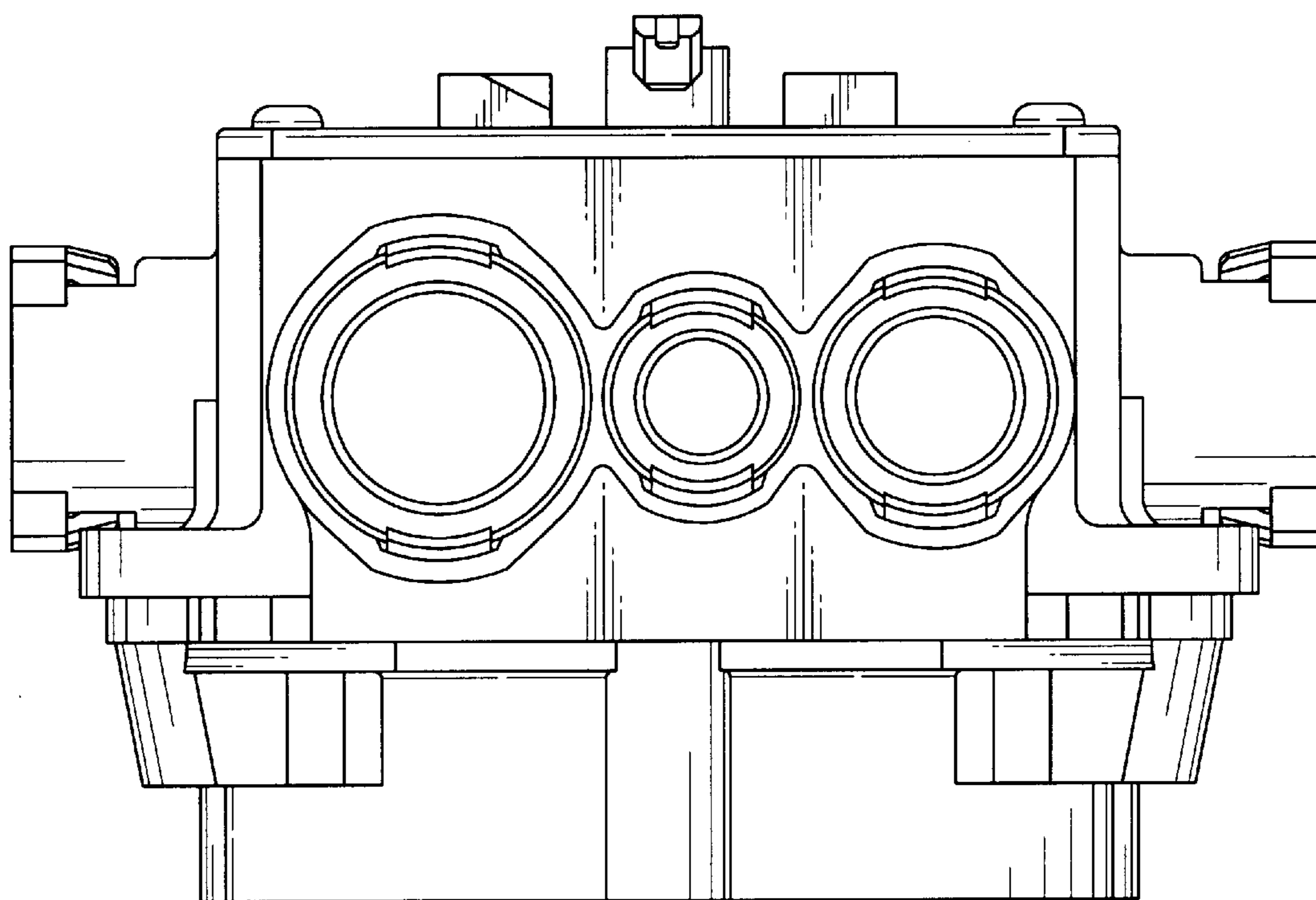


FIG. 4

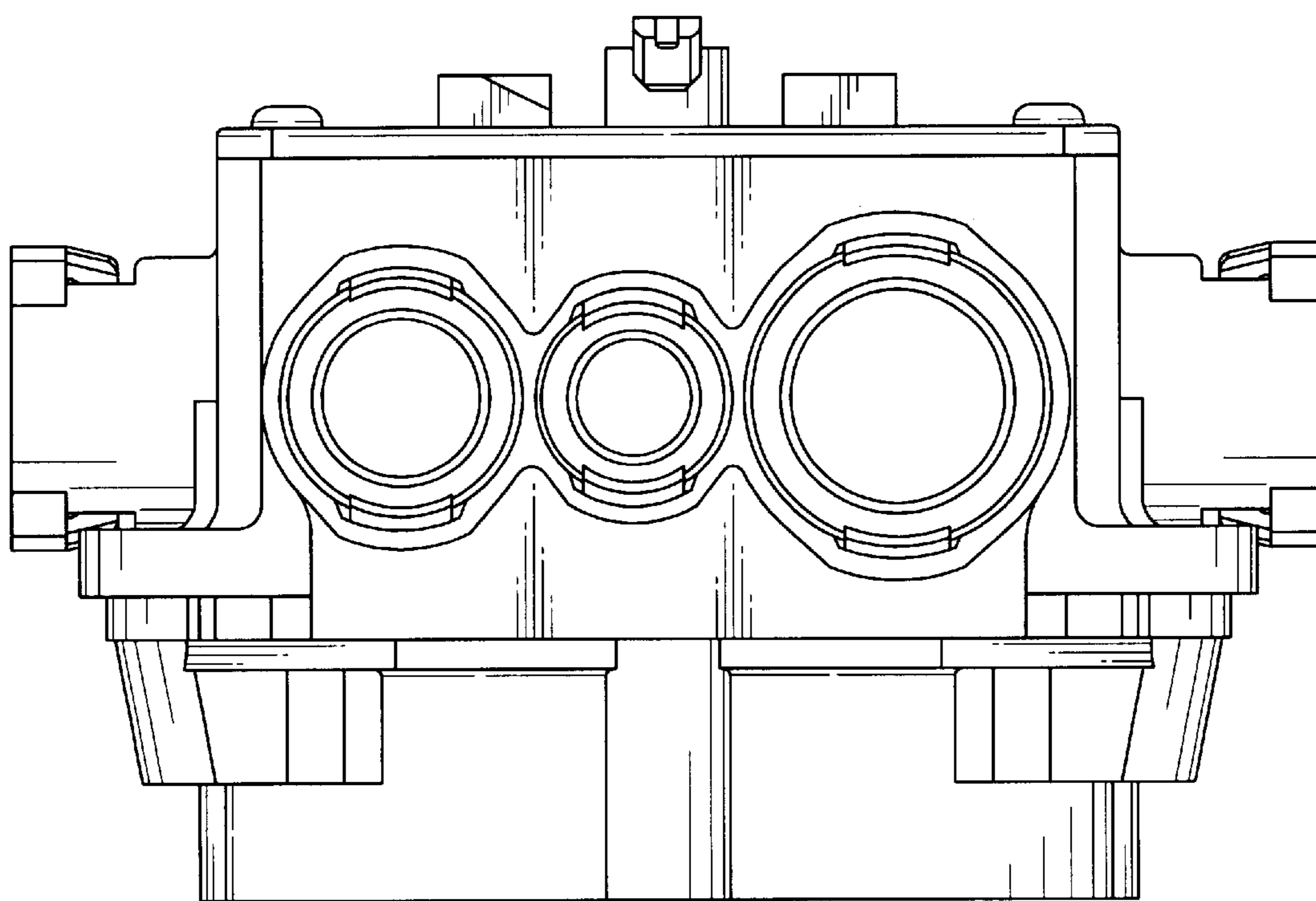


FIG. 5

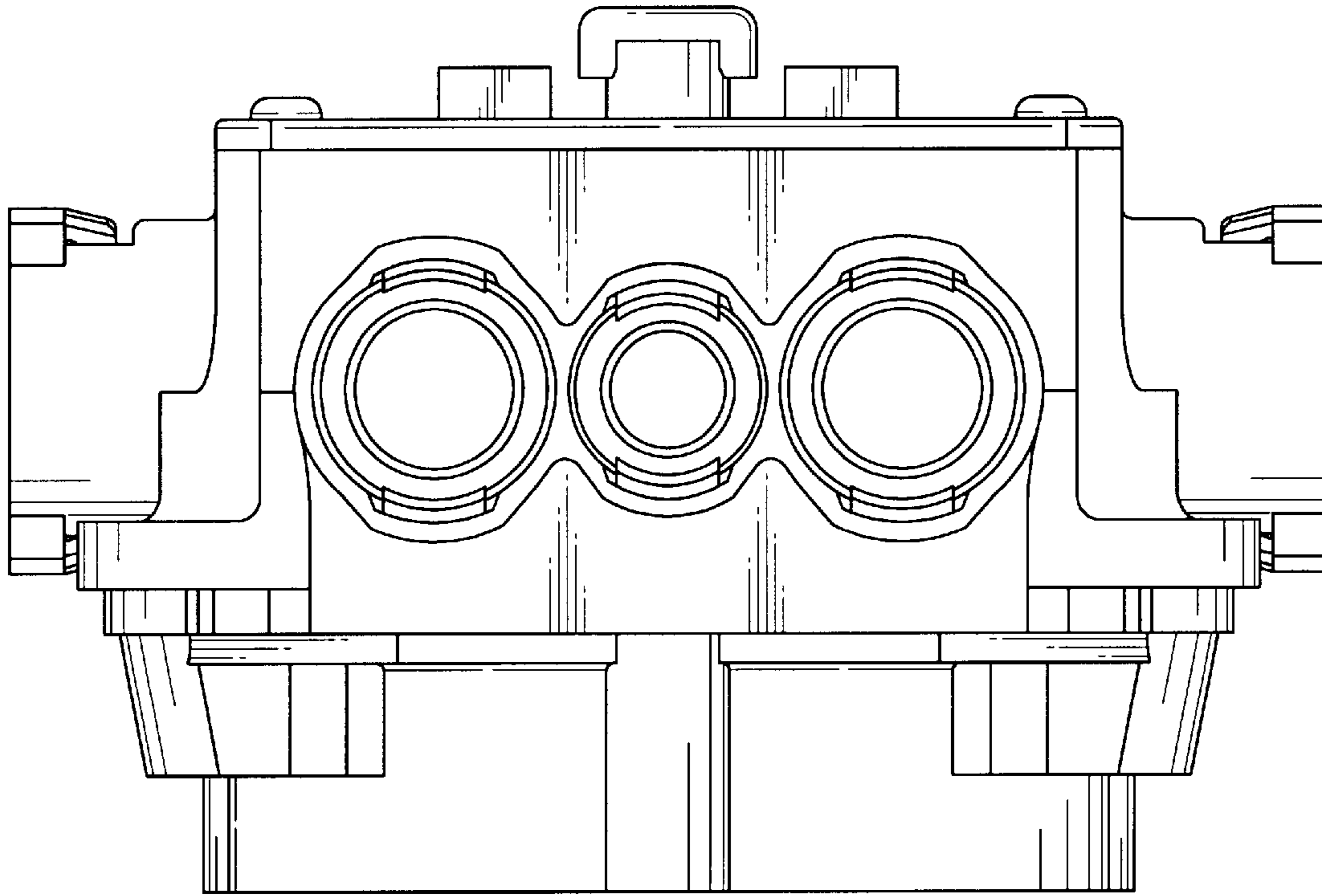


FIG. 6

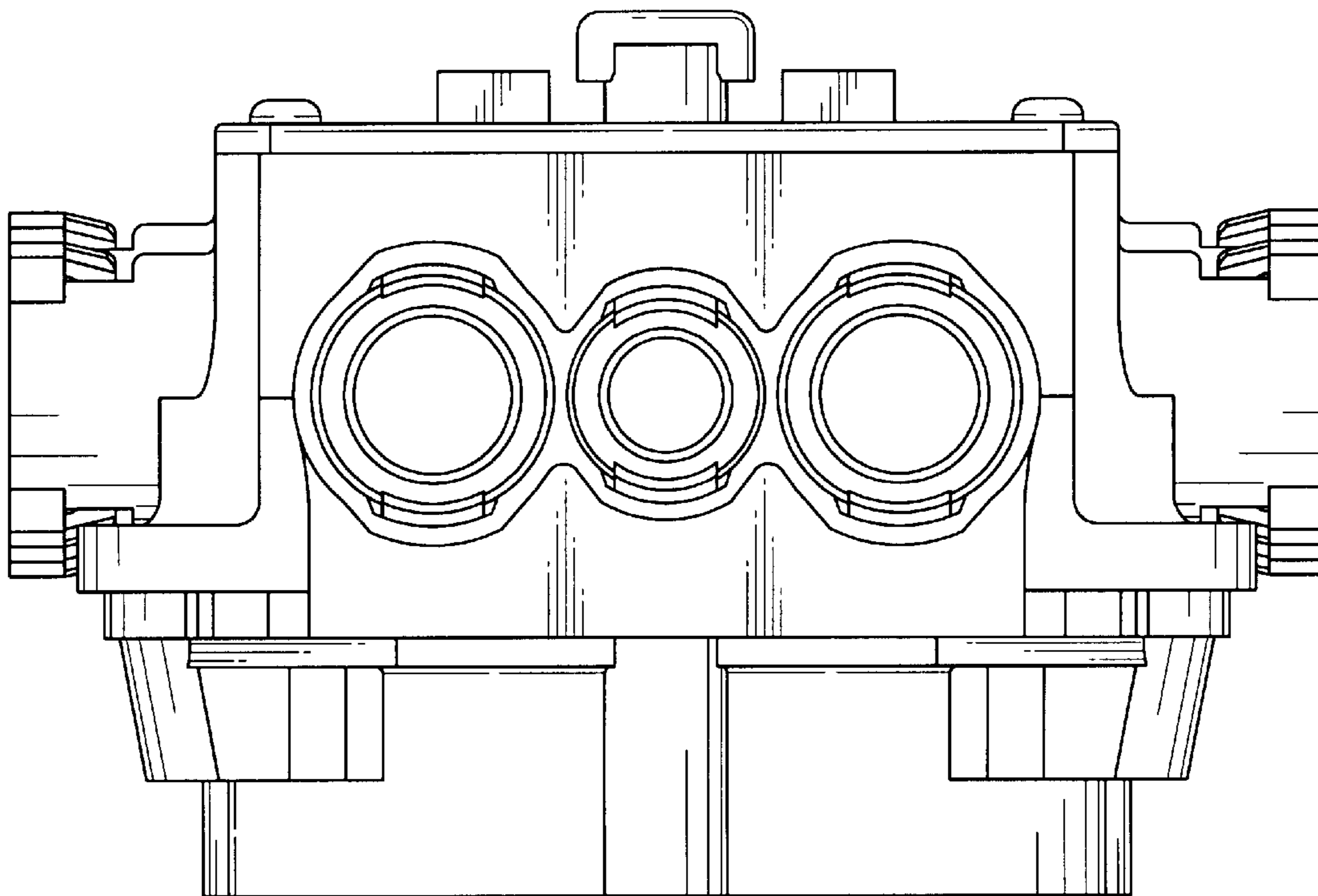


FIG. 7

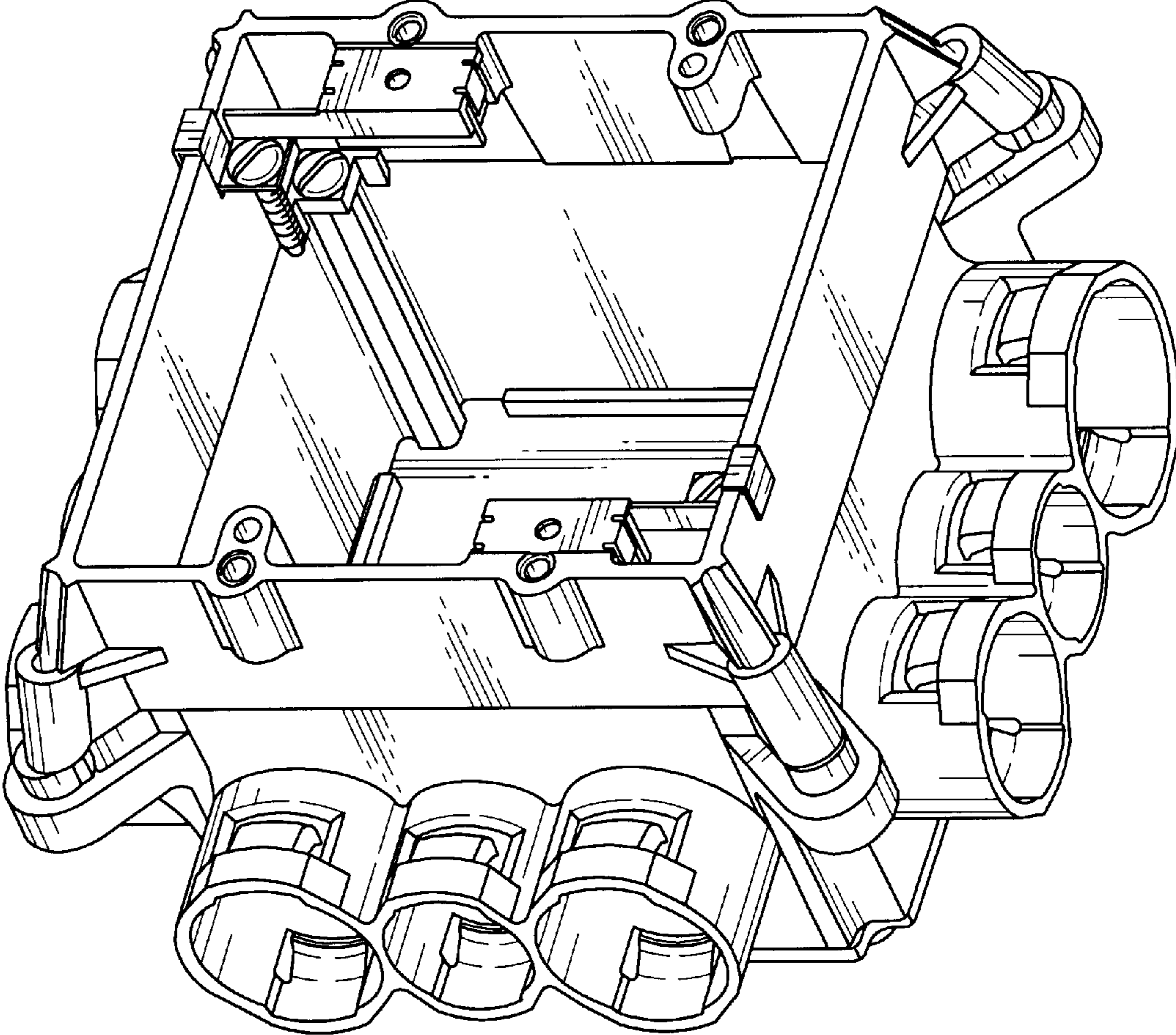


FIG. 8

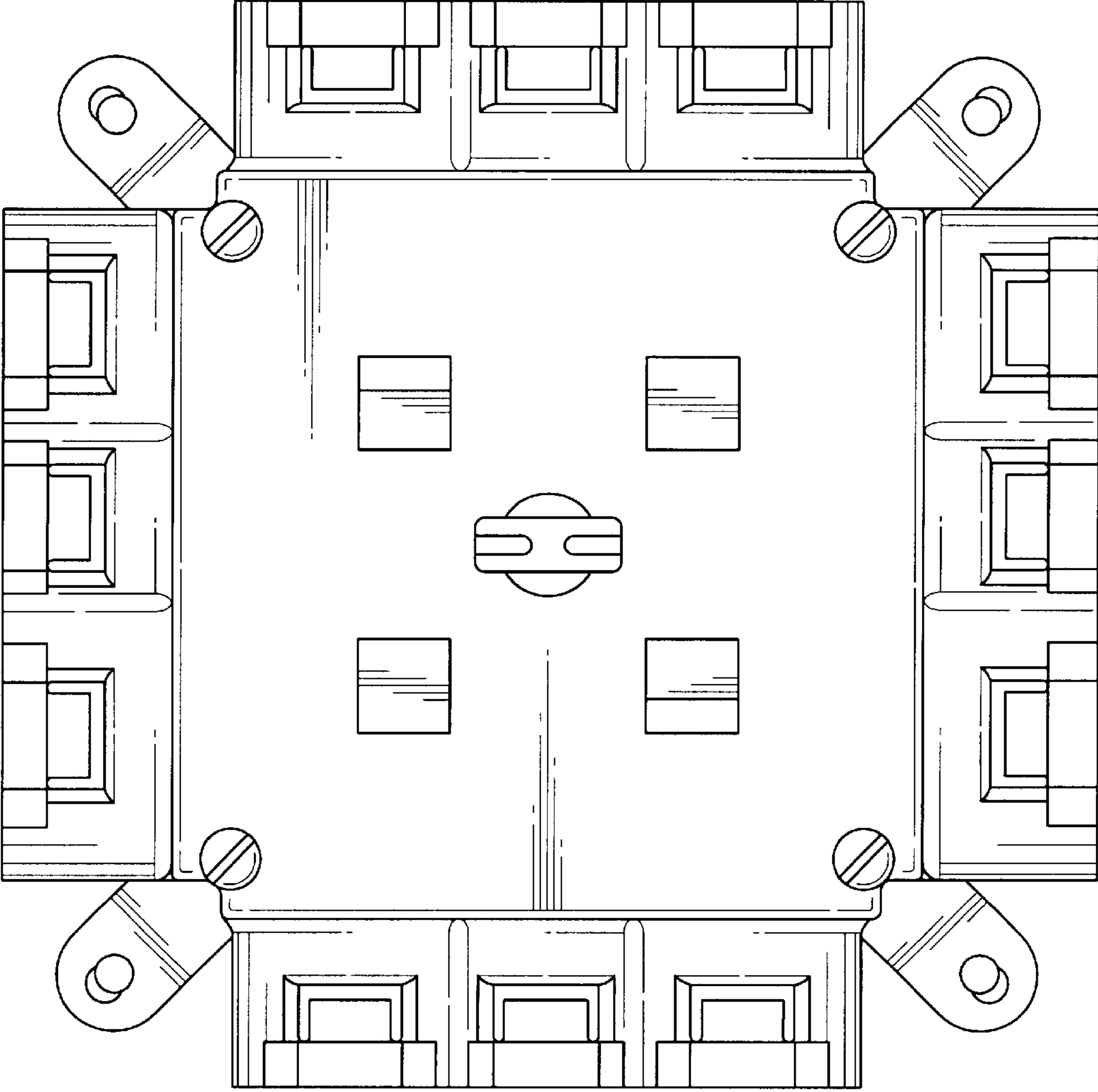


FIG. 9

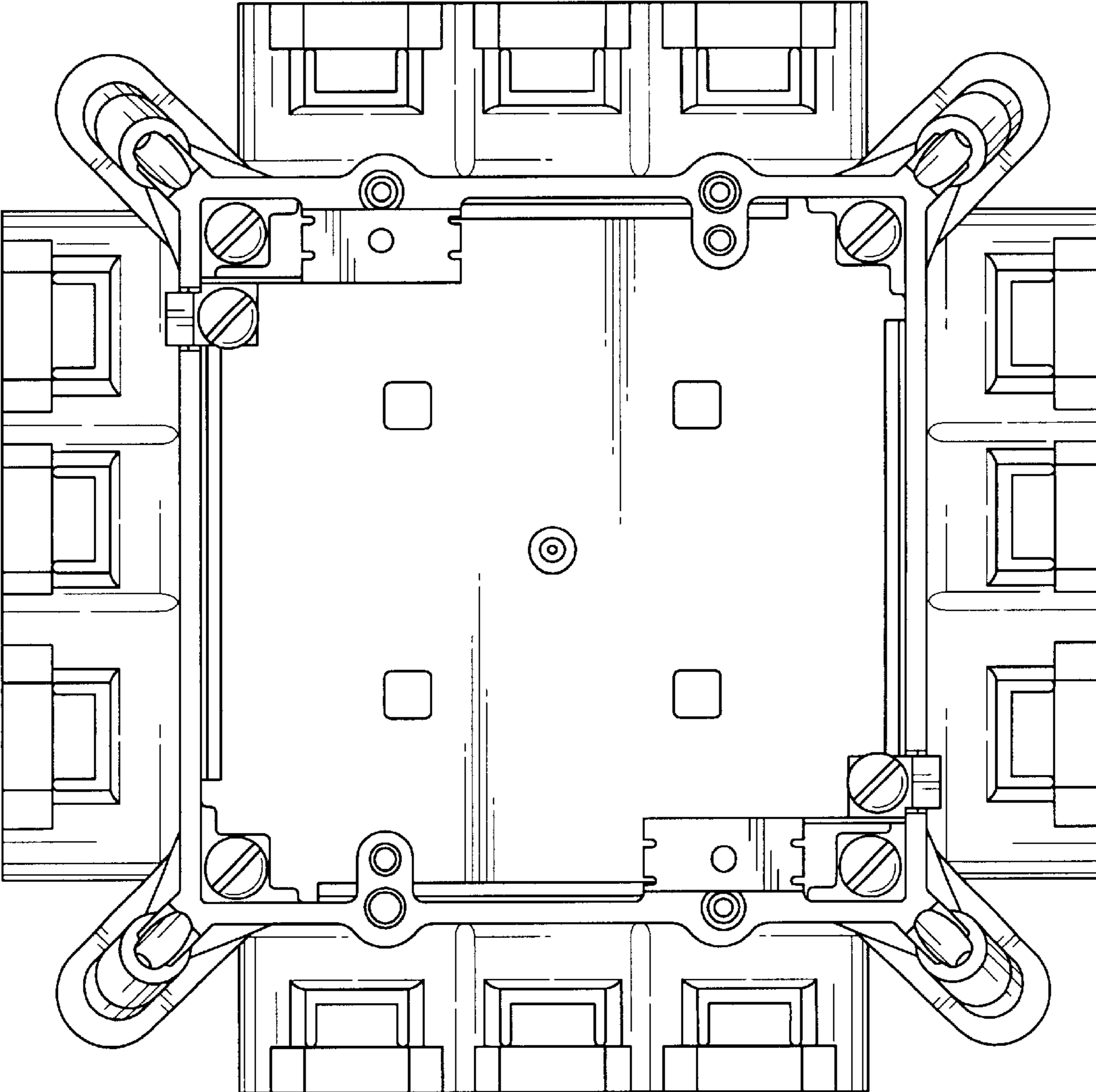


FIG. 10

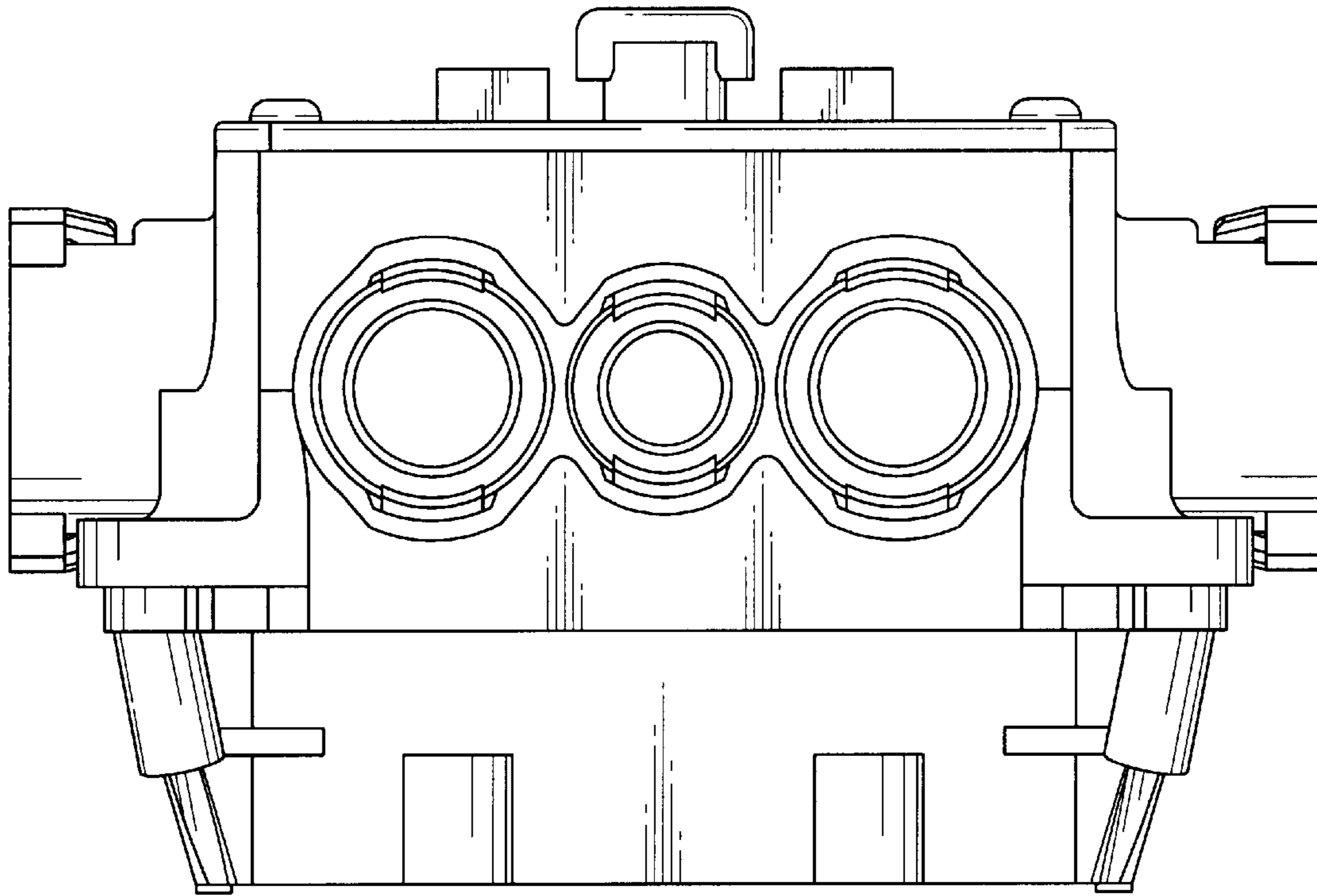


FIG. 11

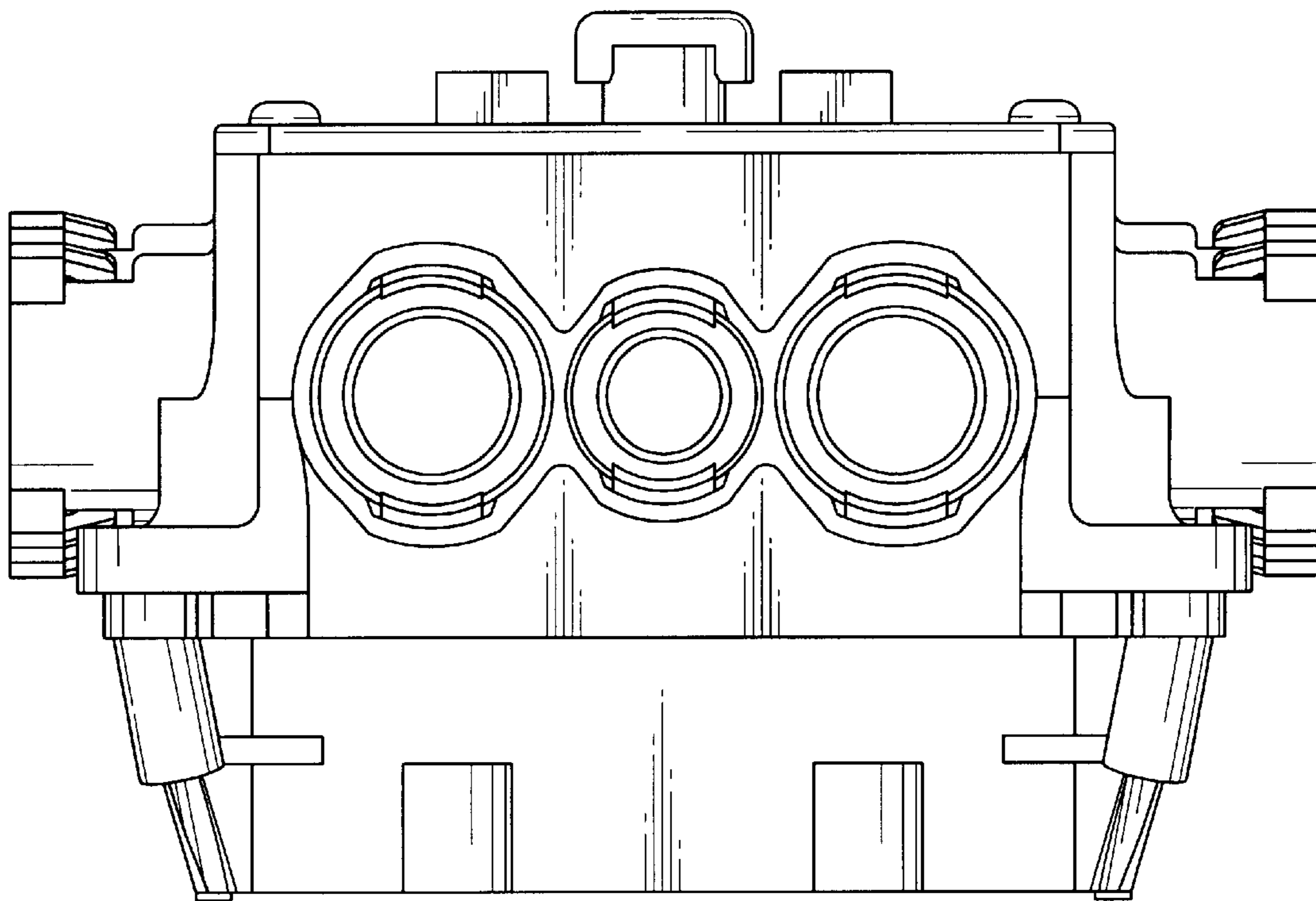


FIG. 12

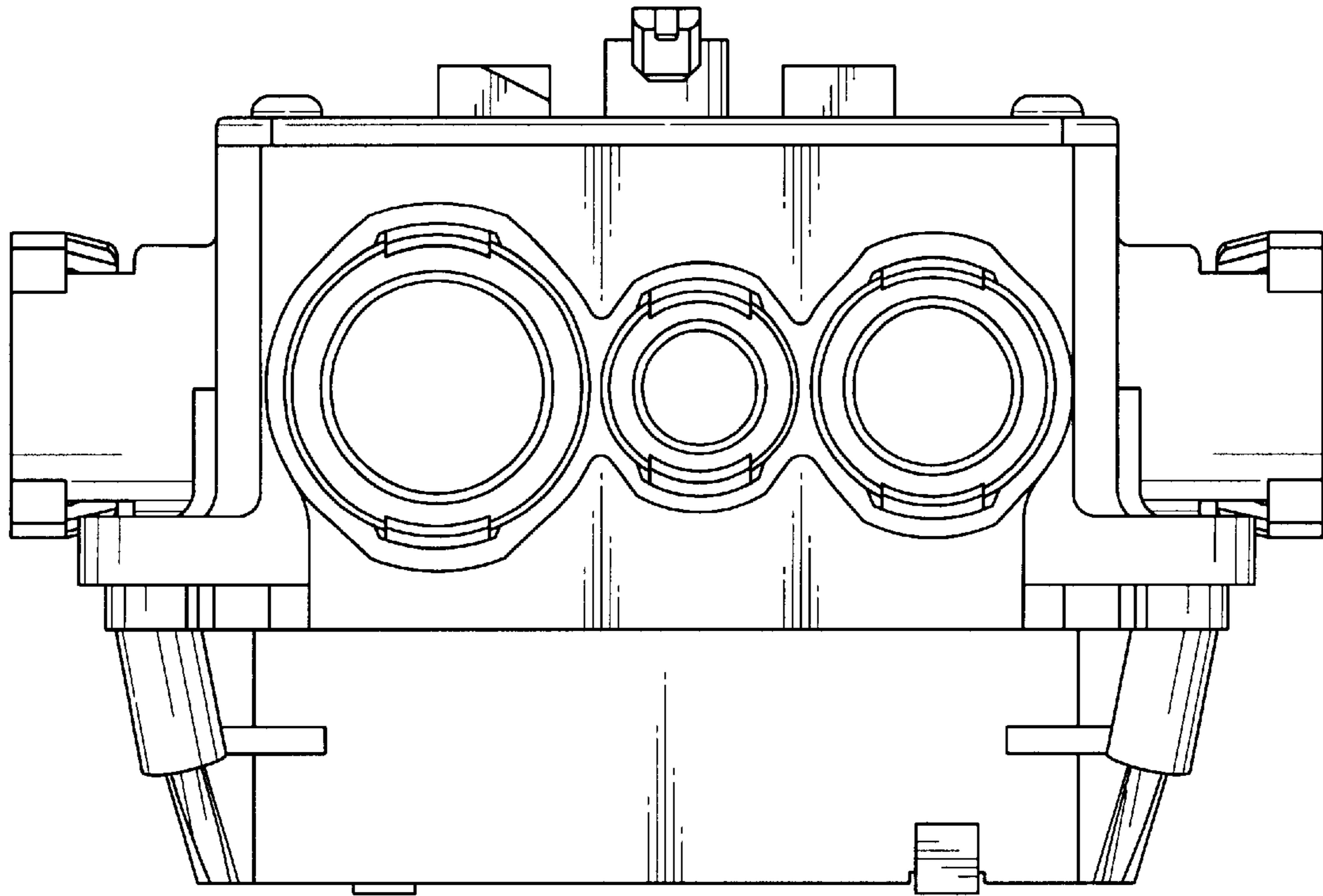


FIG. 13

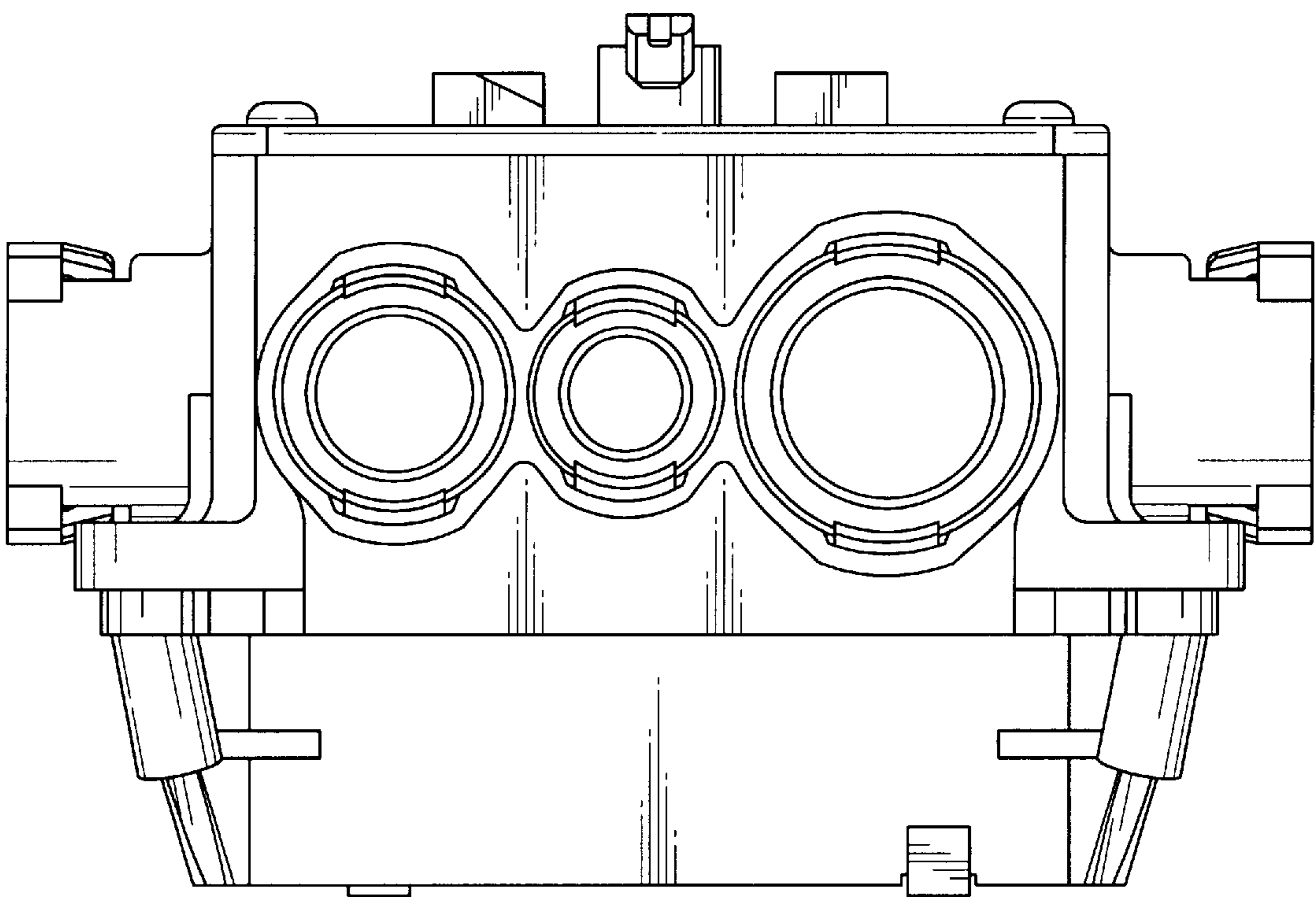


FIG. 14

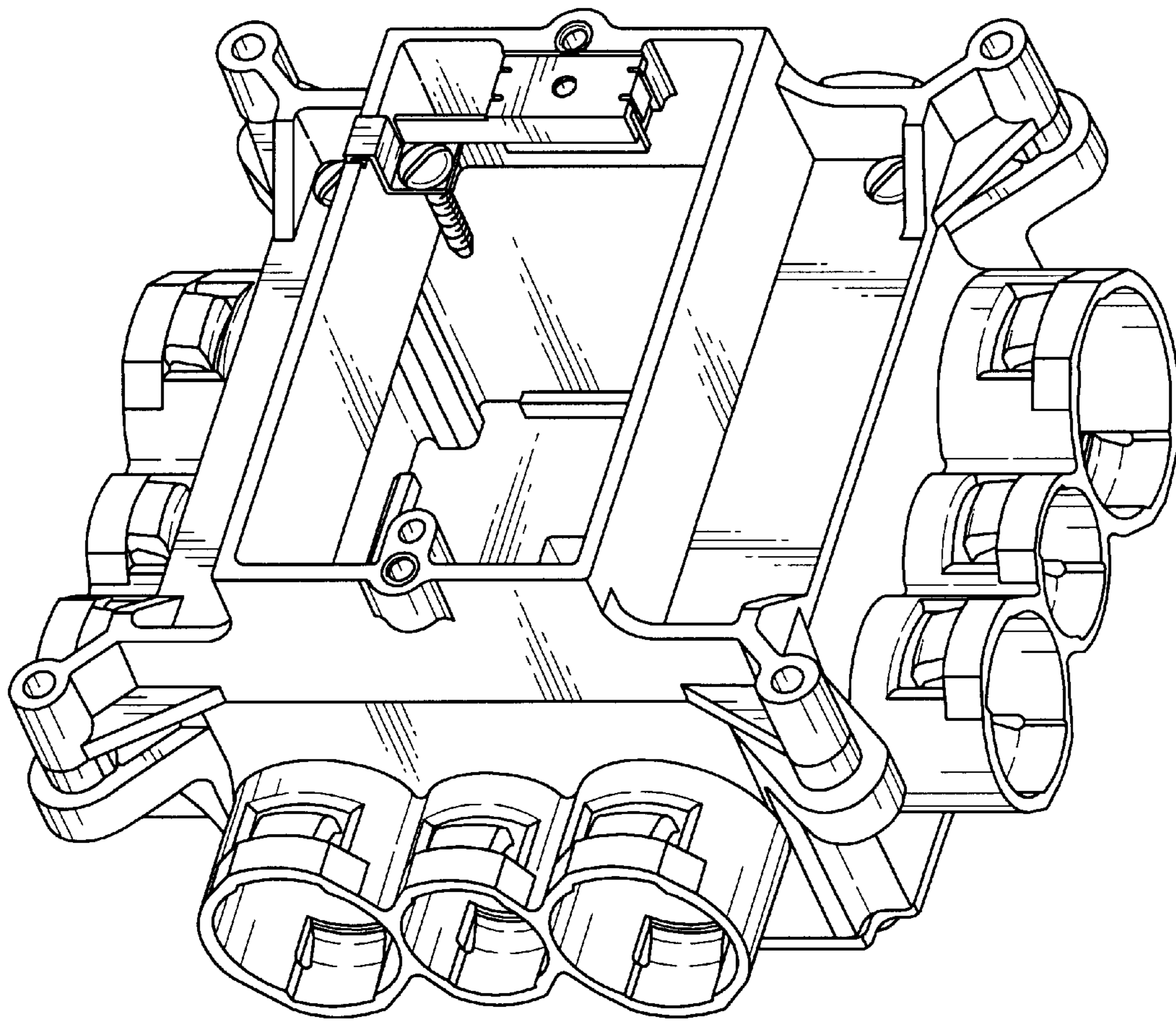


FIG. 15

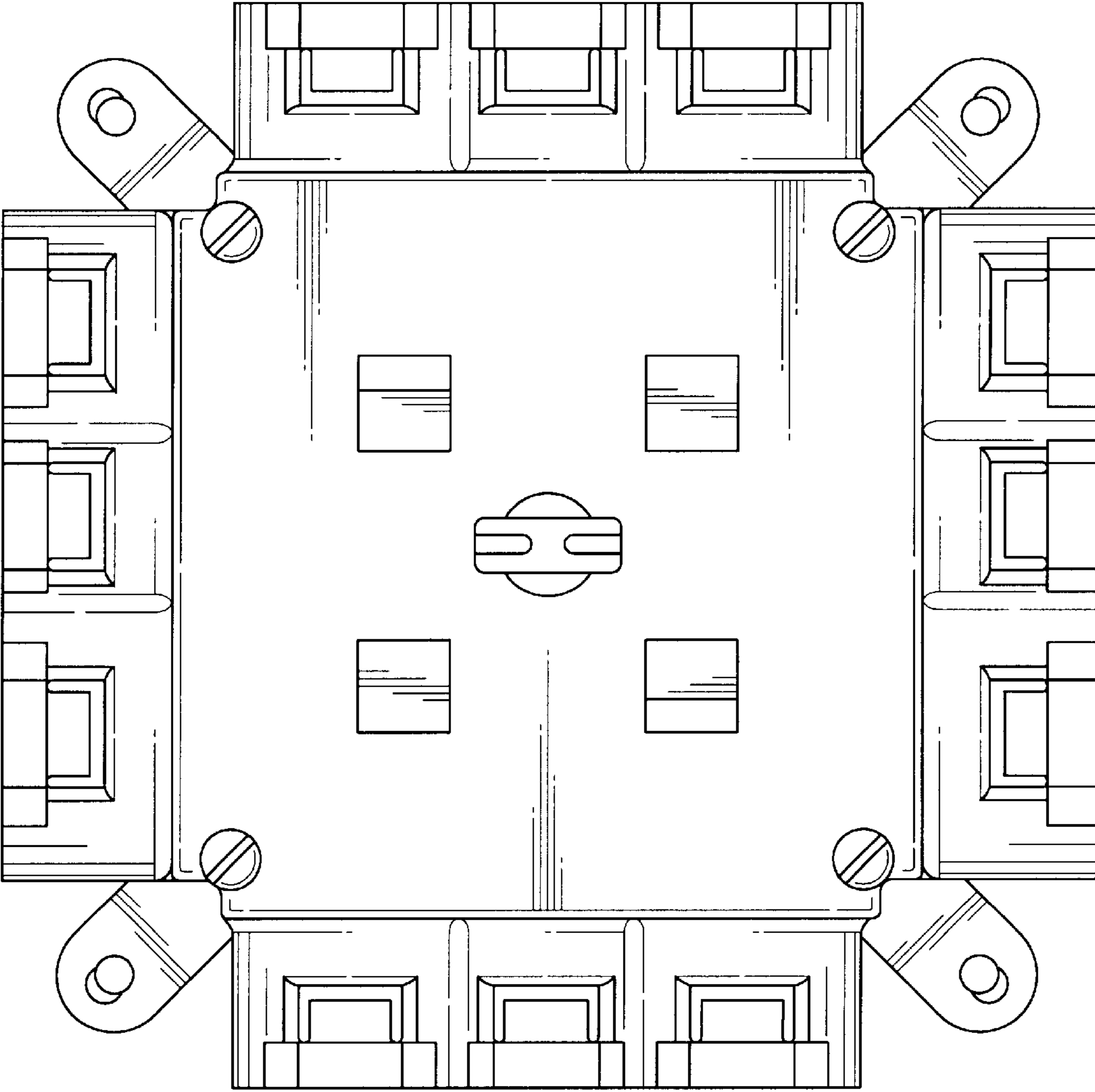


FIG. 16

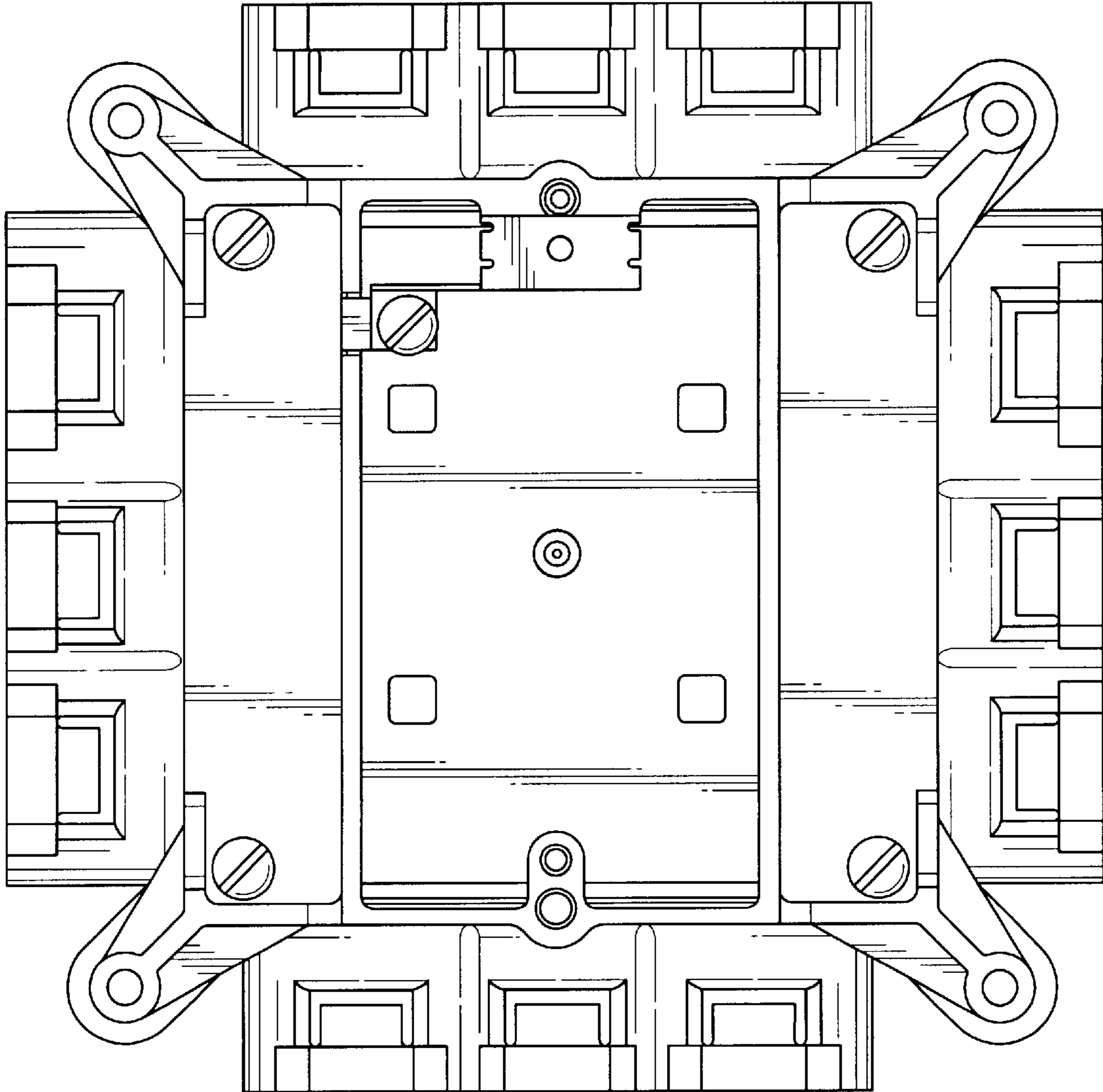


FIG. 17

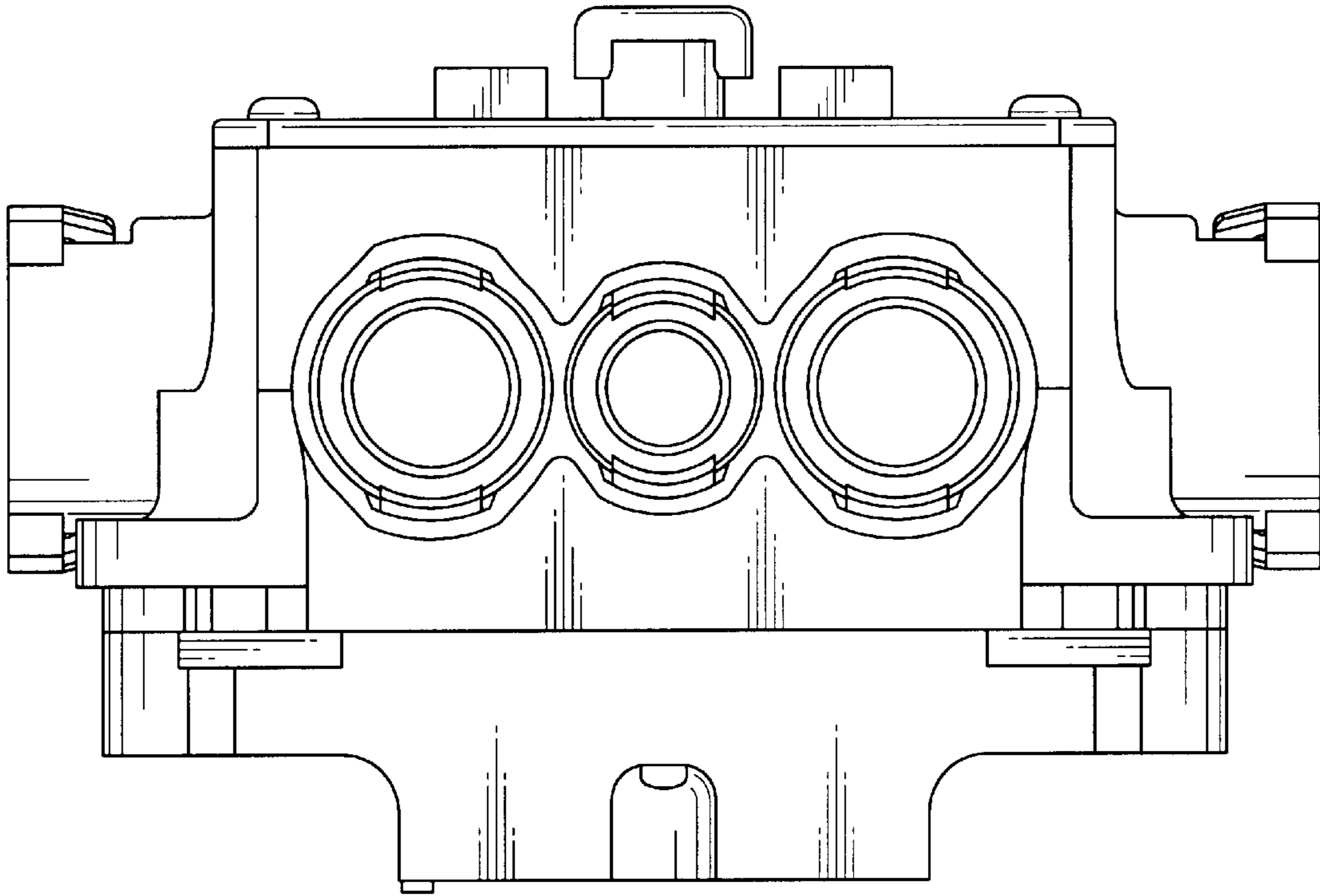


FIG. 18

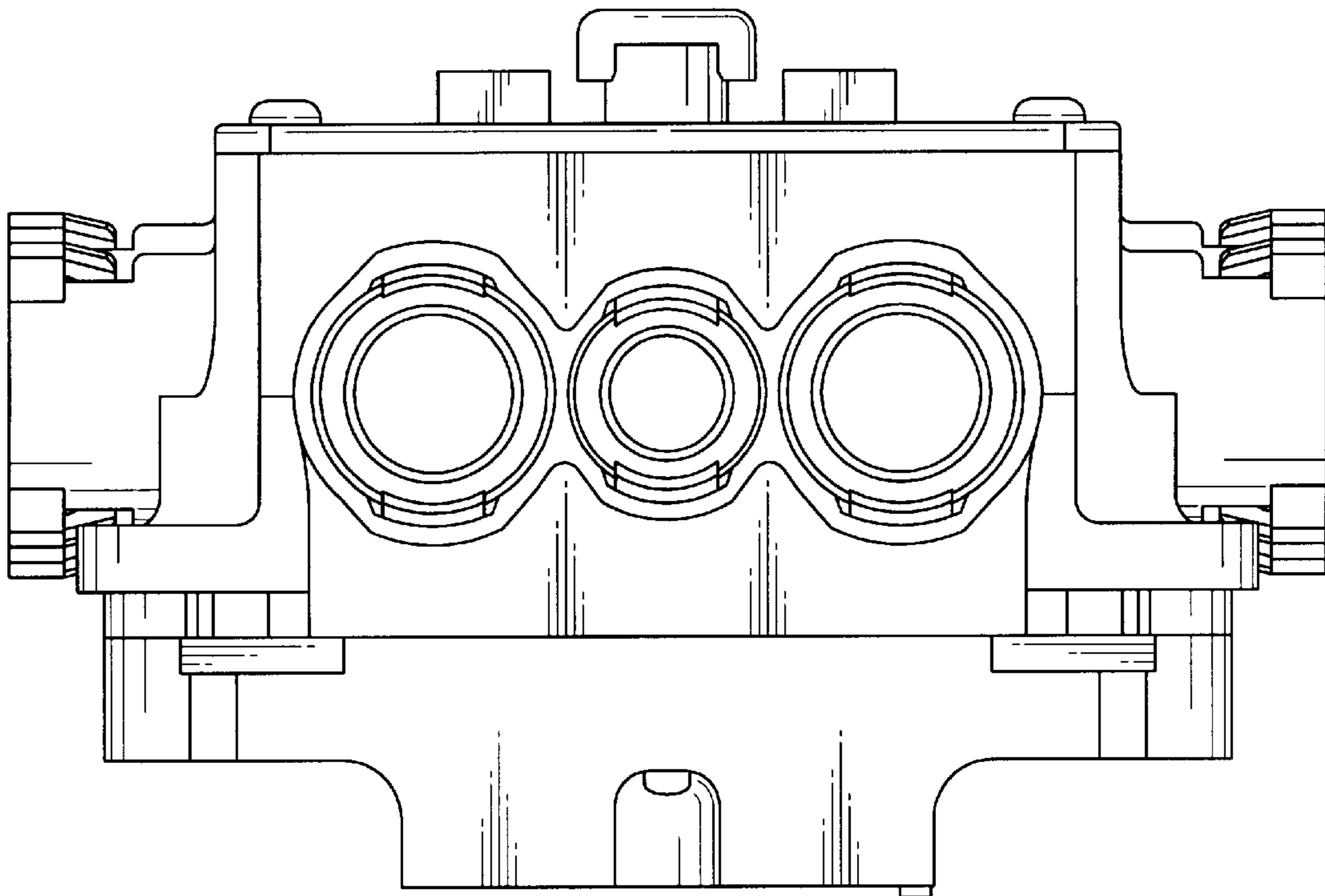


FIG. 19

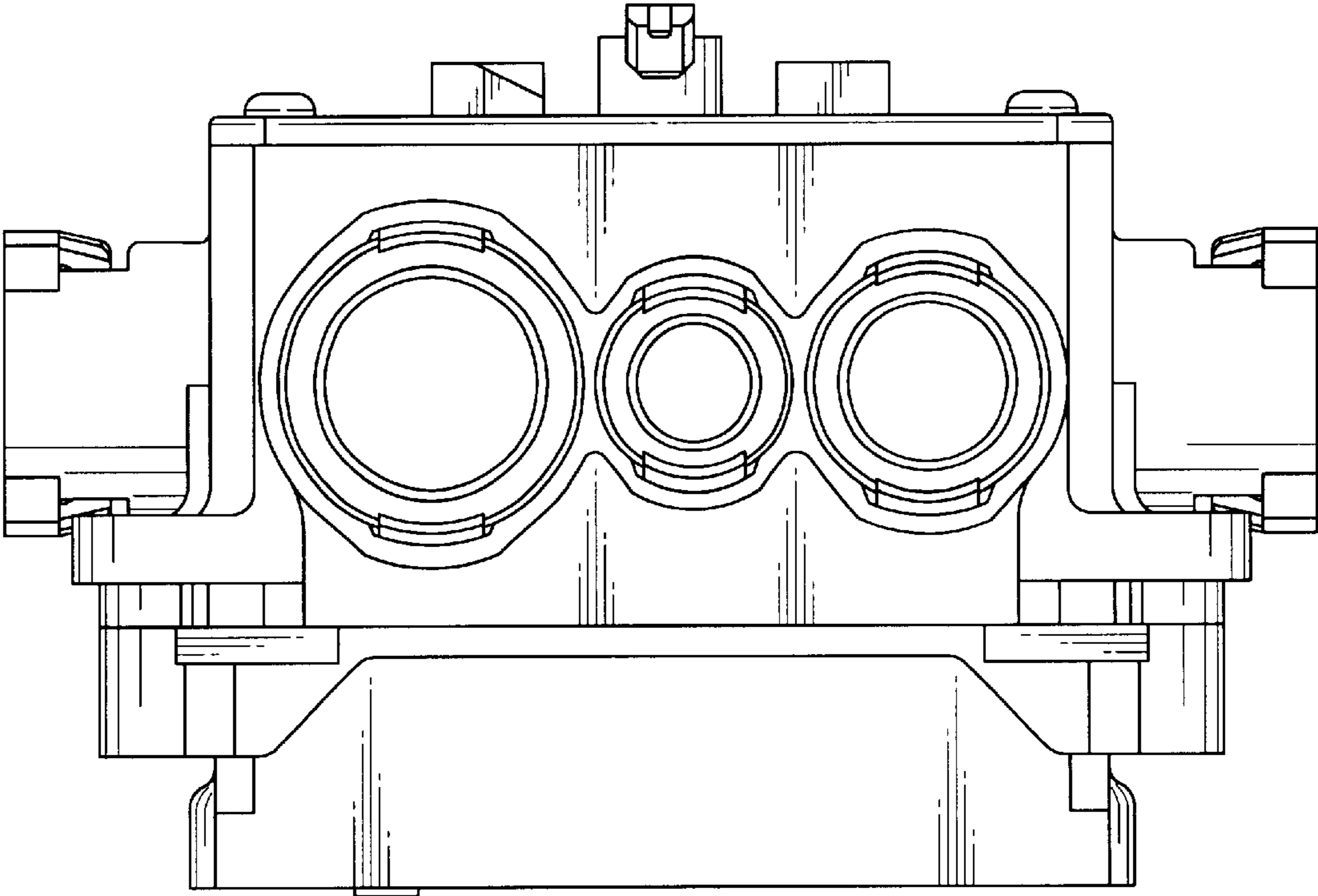


FIG. 20

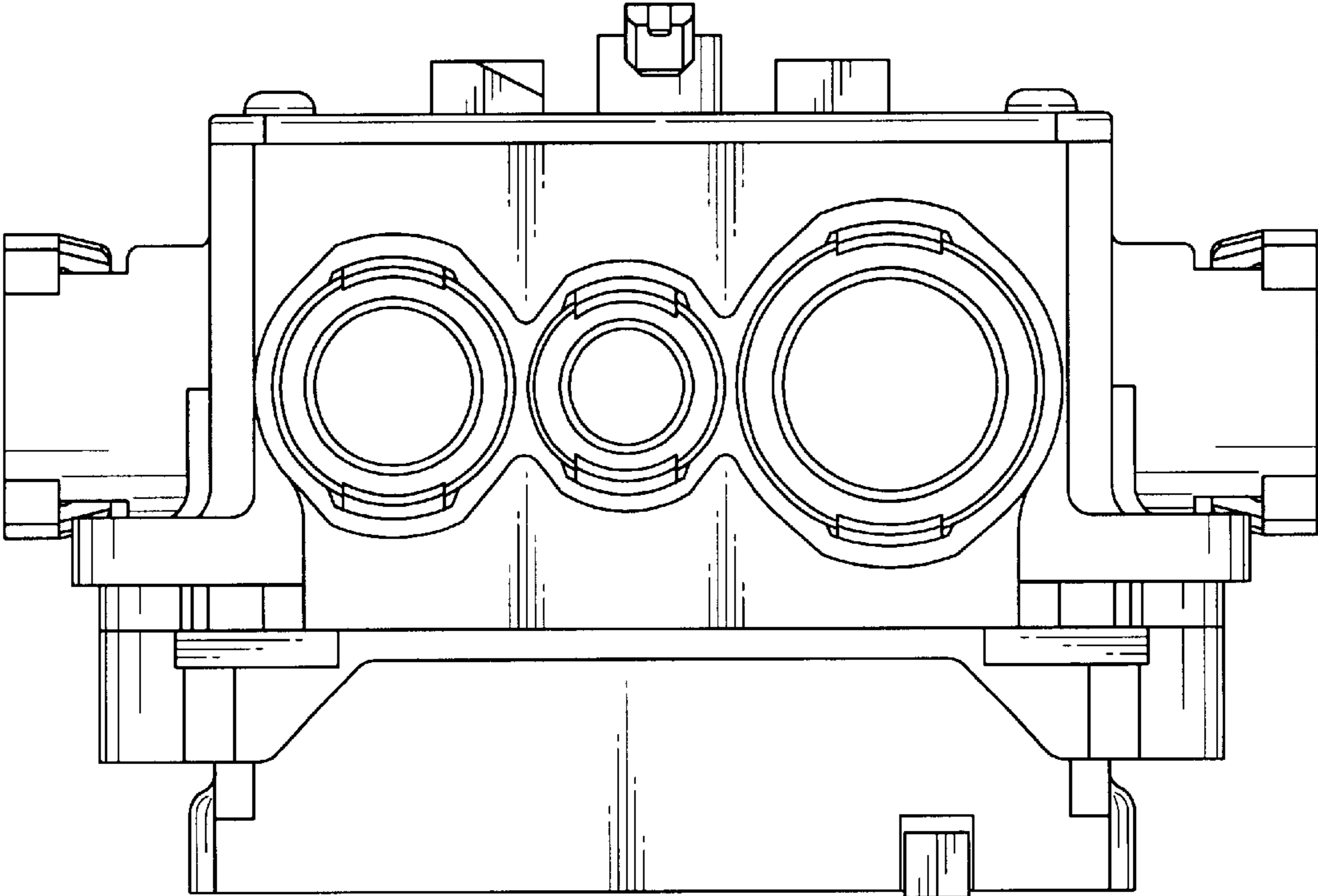


FIG. 21

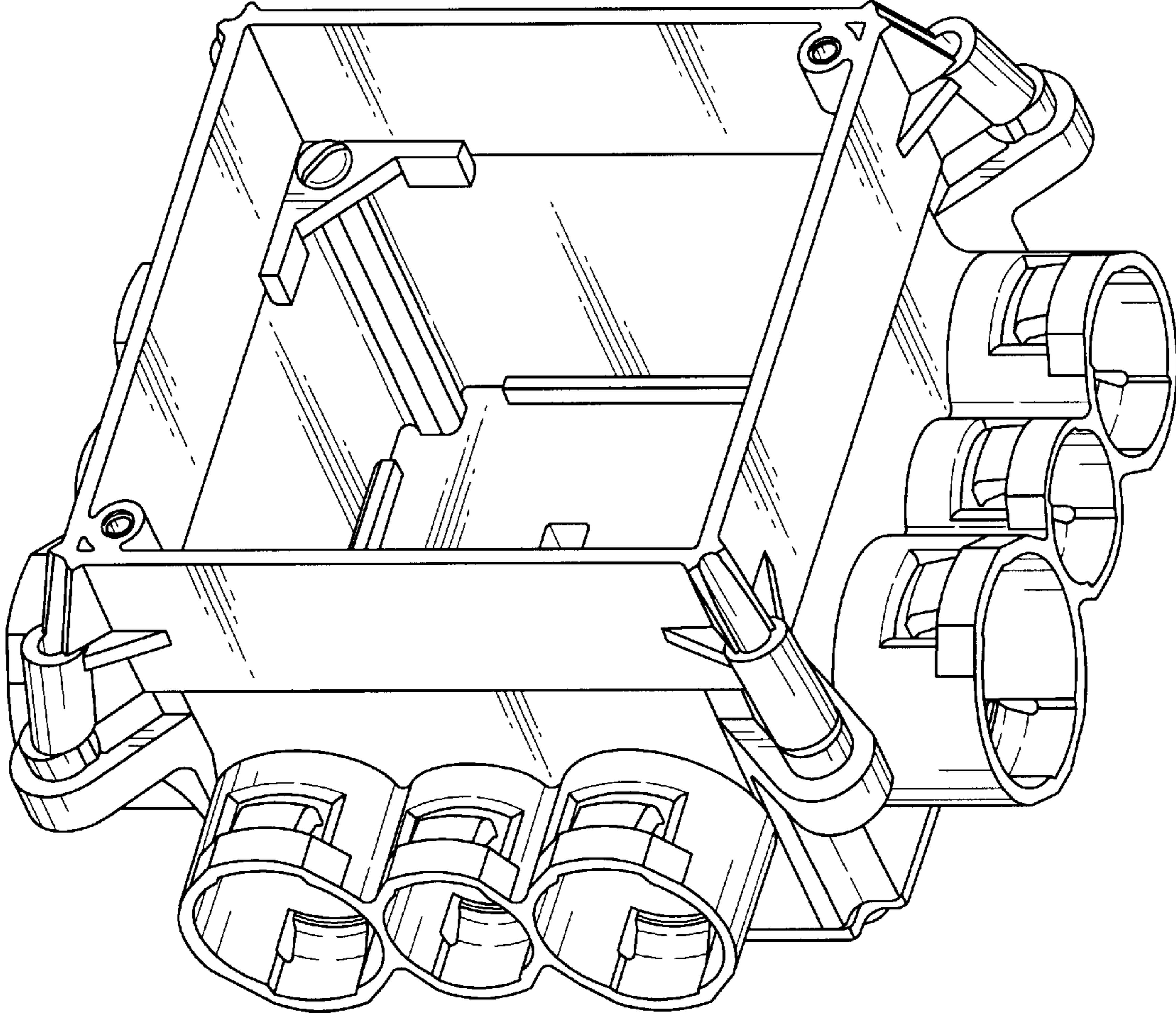


FIG. 22

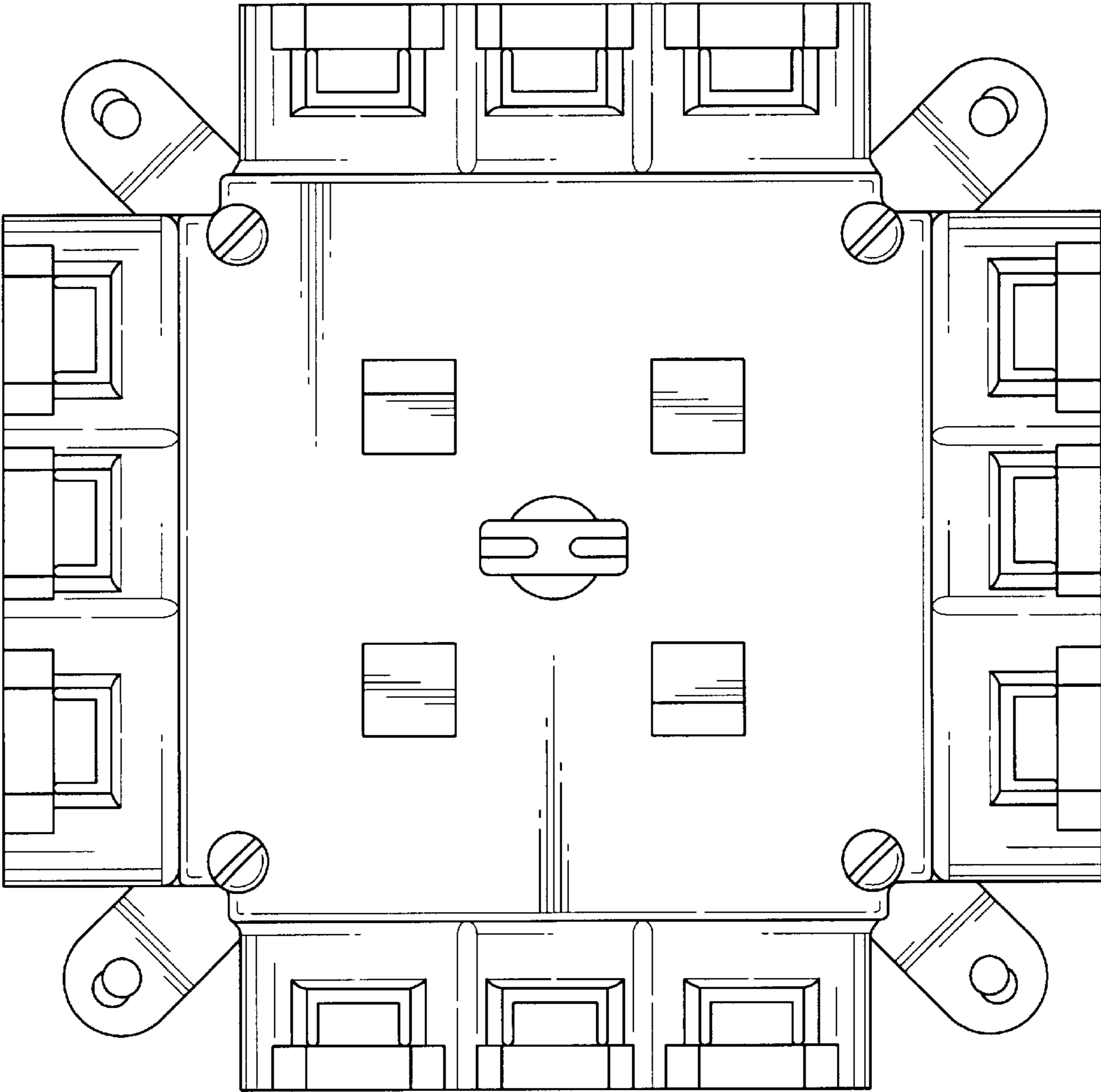


FIG. 23

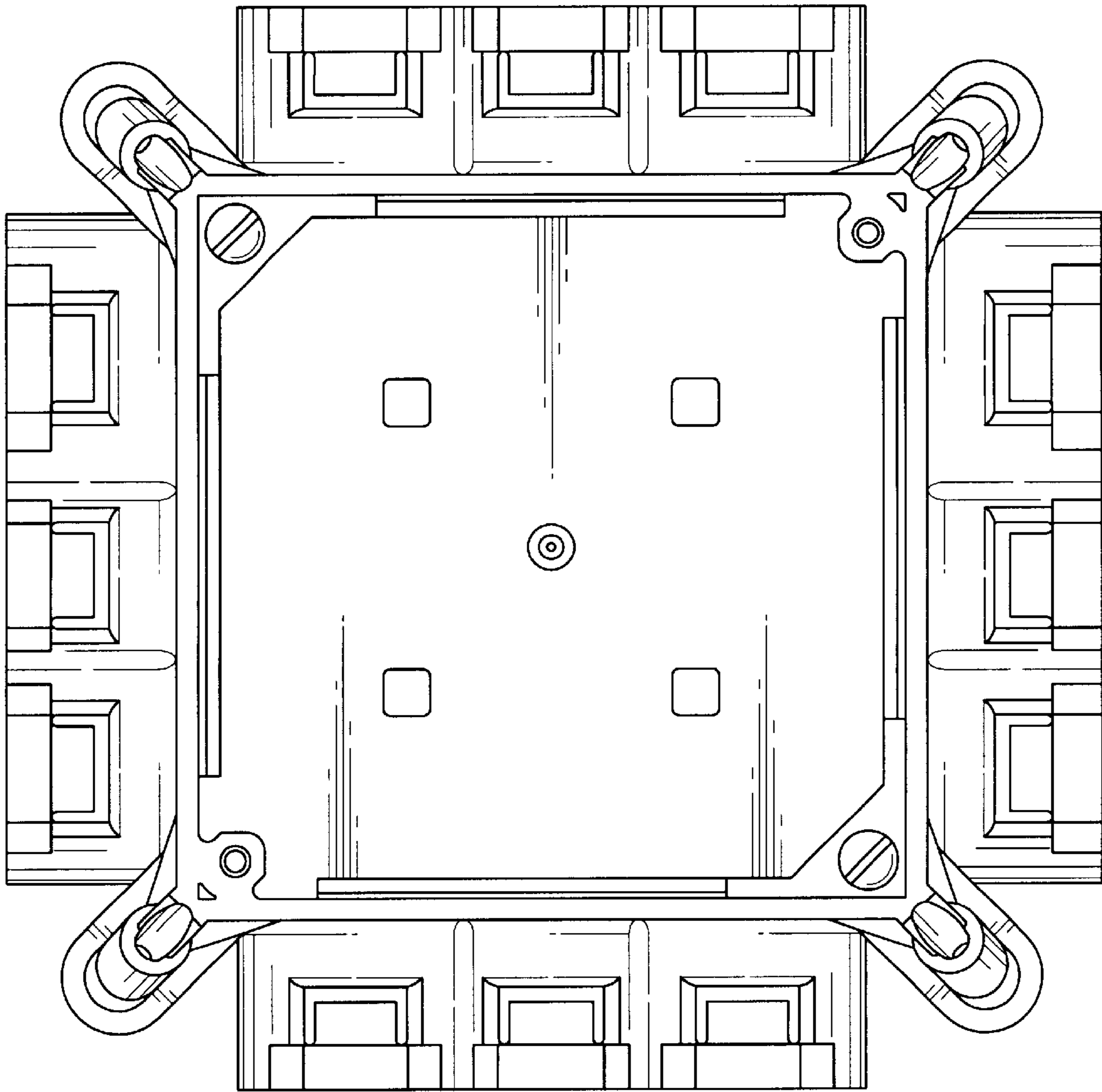


FIG. 24

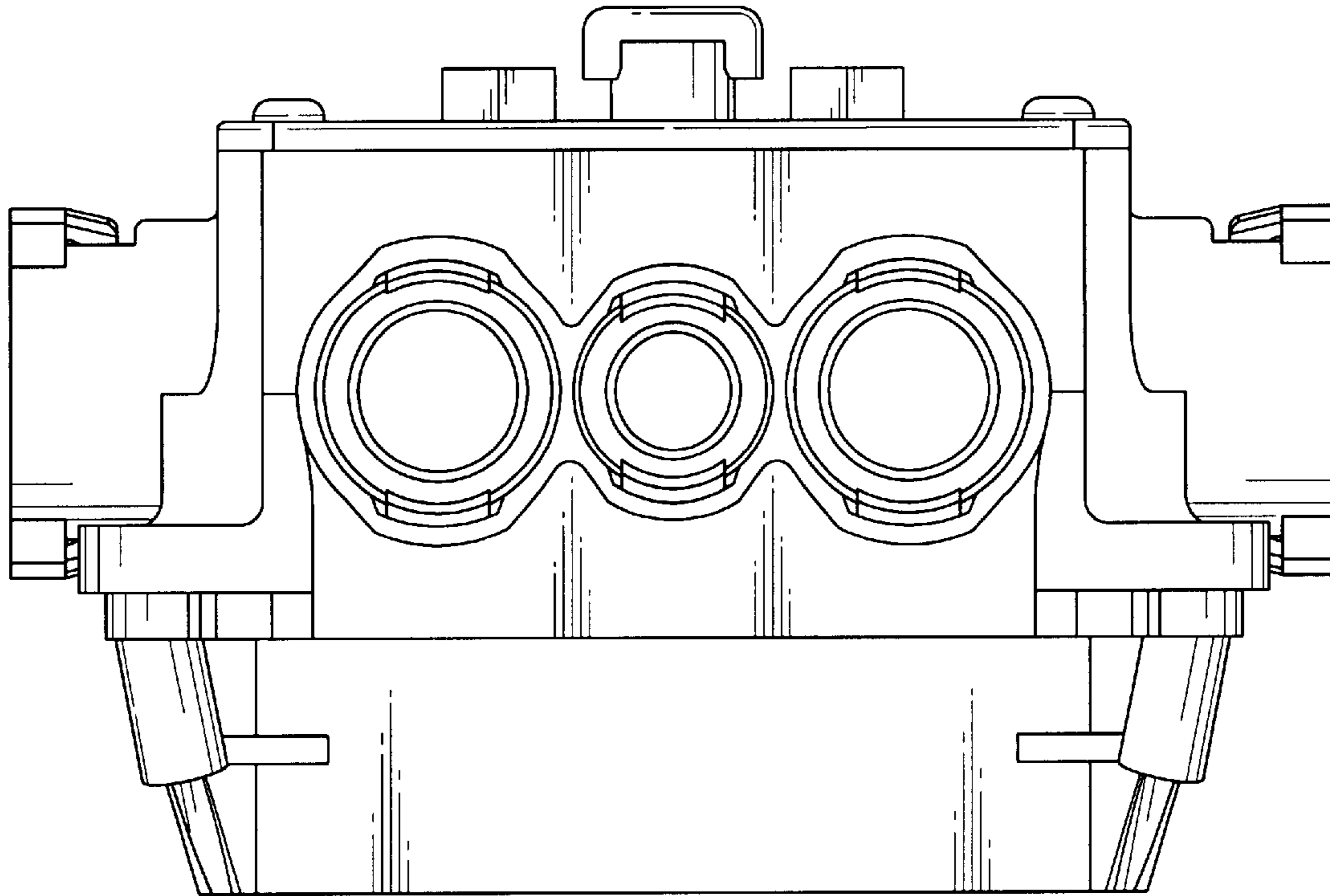


FIG. 25

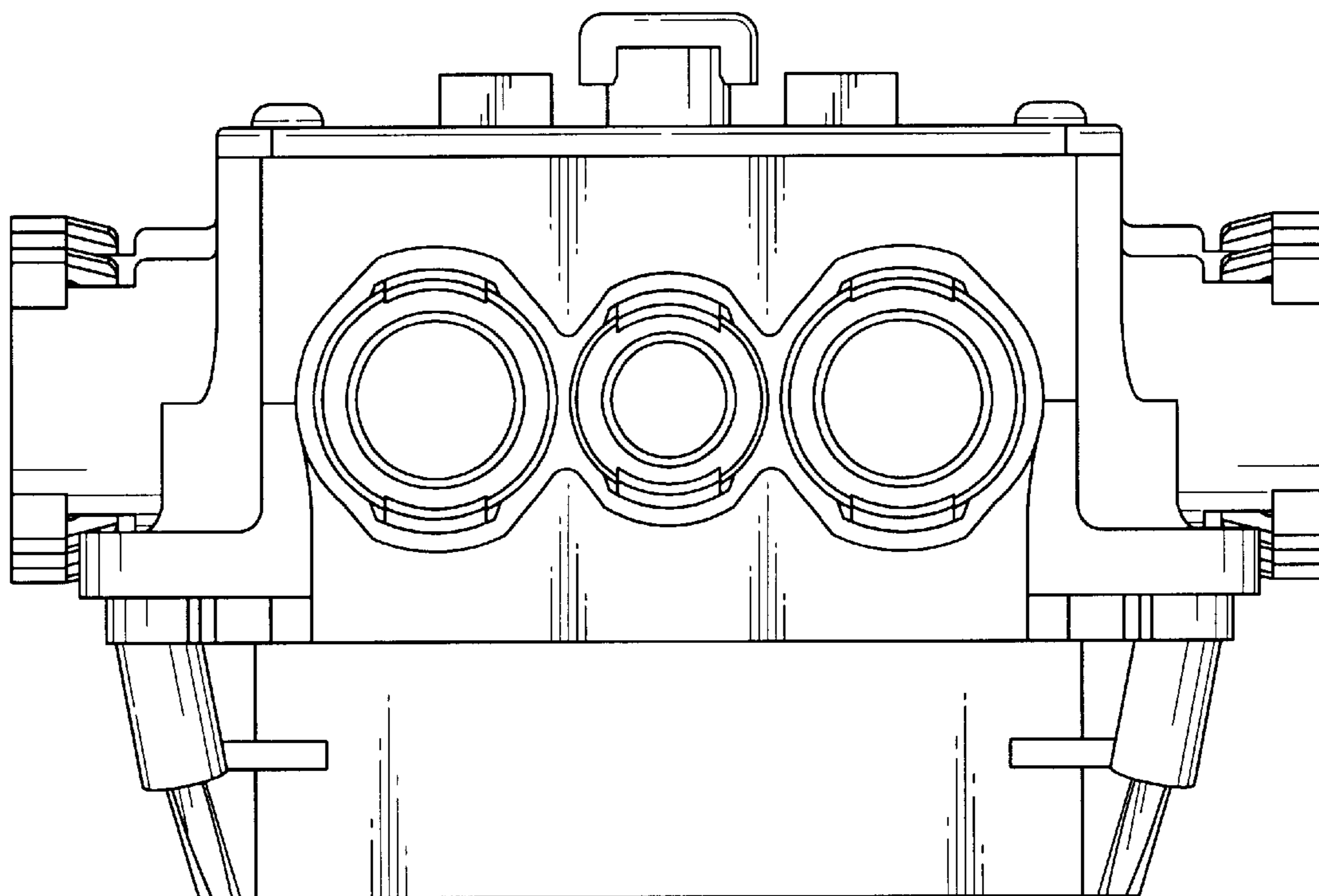


FIG. 26

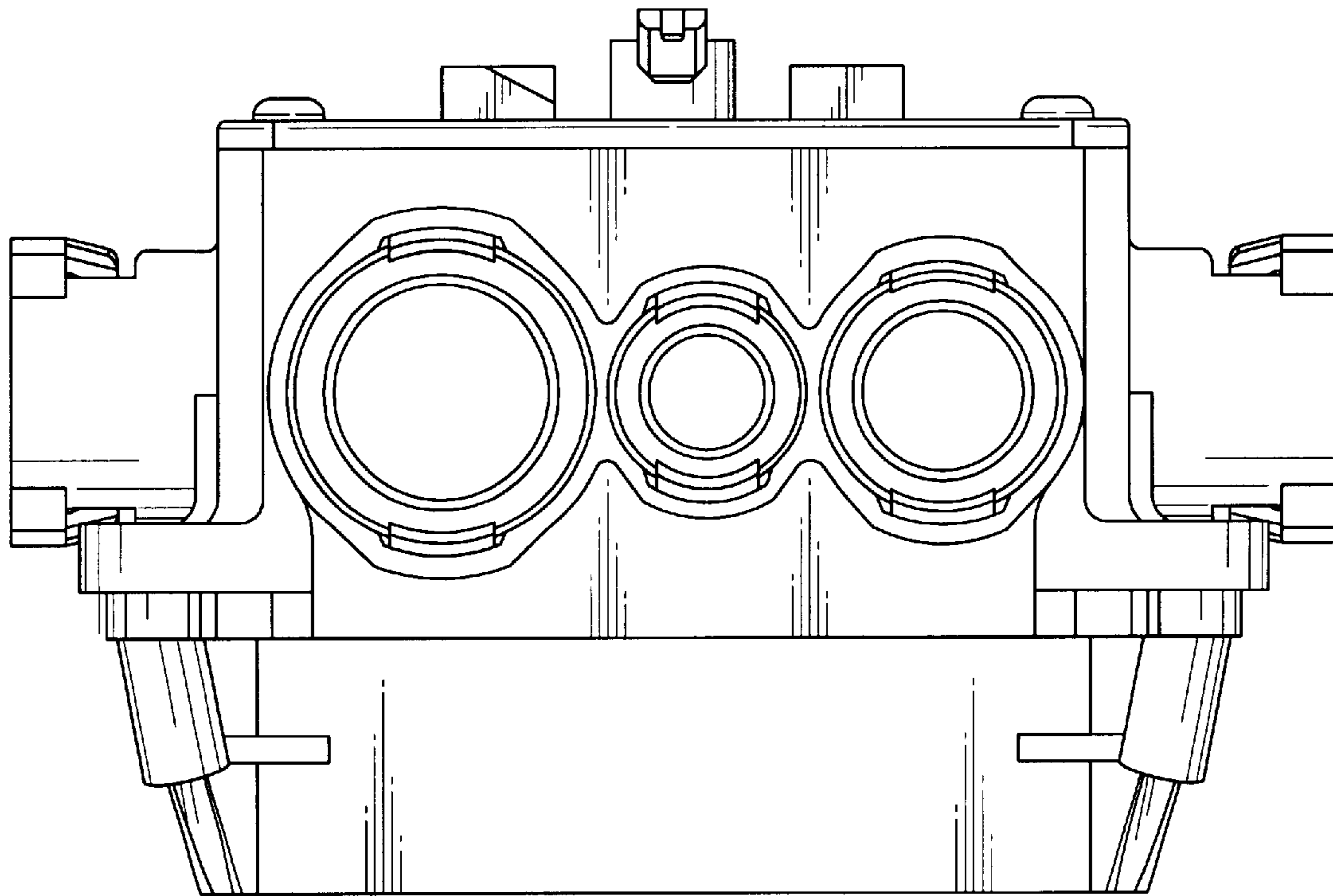


FIG. 27

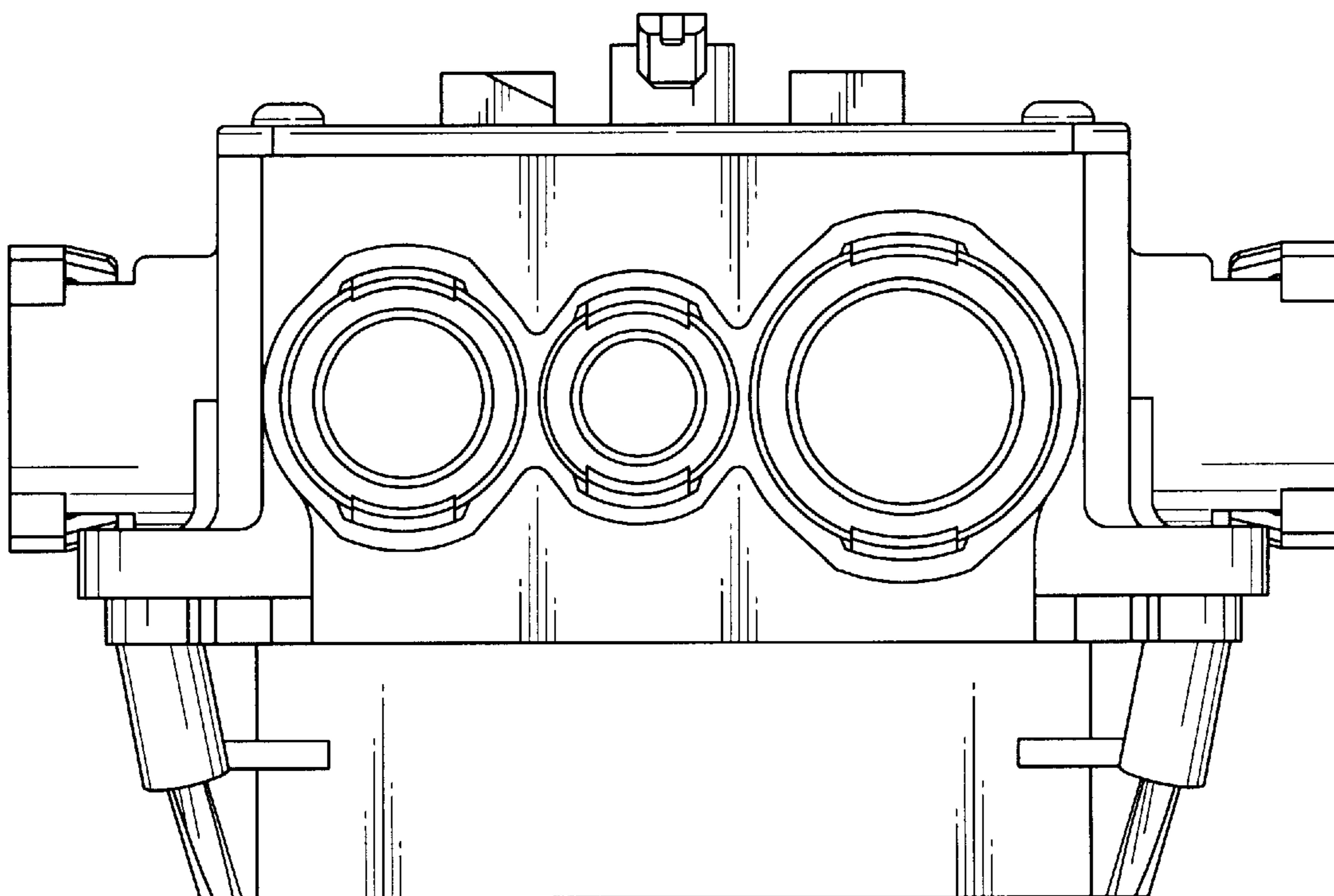


FIG. 28