

US00D506173S

(12) **United States Design Patent**
Pfeiffer

(10) **Patent No.:** **US D506,173 S**
(45) **Date of Patent:** **** Jun. 14, 2005**

(54) **FRONT FACE OF A VEHICLE WHEEL**

(75) Inventor: **Peter Pfeiffer**, Boeblingen (DE)

(73) Assignee: **DaimlerChrysler AG**, Stuttgart (DE)

(**) Term: **14 Years**

(21) Appl. No.: **29/190,519**

(22) Filed: **Sep. 23, 2003**

(30) **Foreign Application Priority Data**

Apr. 15, 2003 (DE) 4 03 02 981

(51) **LOC (8) Cl.** **12-16**

(52) **U.S. Cl.** **D12/211**

(58) **Field of Search** D12/204-213;
301/37.101, 64.101, 65

(56) **References Cited**

U.S. PATENT DOCUMENTS

- D236,975 S * 9/1975 May D12/209
- D409,968 S * 5/1999 Goplen D12/211
- D421,590 S * 3/2000 Sacco et al. D12/209
- D439,212 S * 3/2001 Neeper D12/211
- D450,026 S * 11/2001 Donikoglu D12/209
- D466,852 S * 12/2002 Pfeiffer et al. D12/211

- D468,679 S * 1/2003 Chun D12/211
- D477,265 S * 7/2003 Chung D12/211
- D480,038 S * 9/2003 Oh D12/211
- D480,347 S * 10/2003 Nemoto D12/211
- D492,236 S * 6/2004 Brown et al. D12/211

* cited by examiner

Primary Examiner—Stacia Cadmus

(74) *Attorney, Agent, or Firm*—Crowell & Moring LLP

(57) **CLAIM**

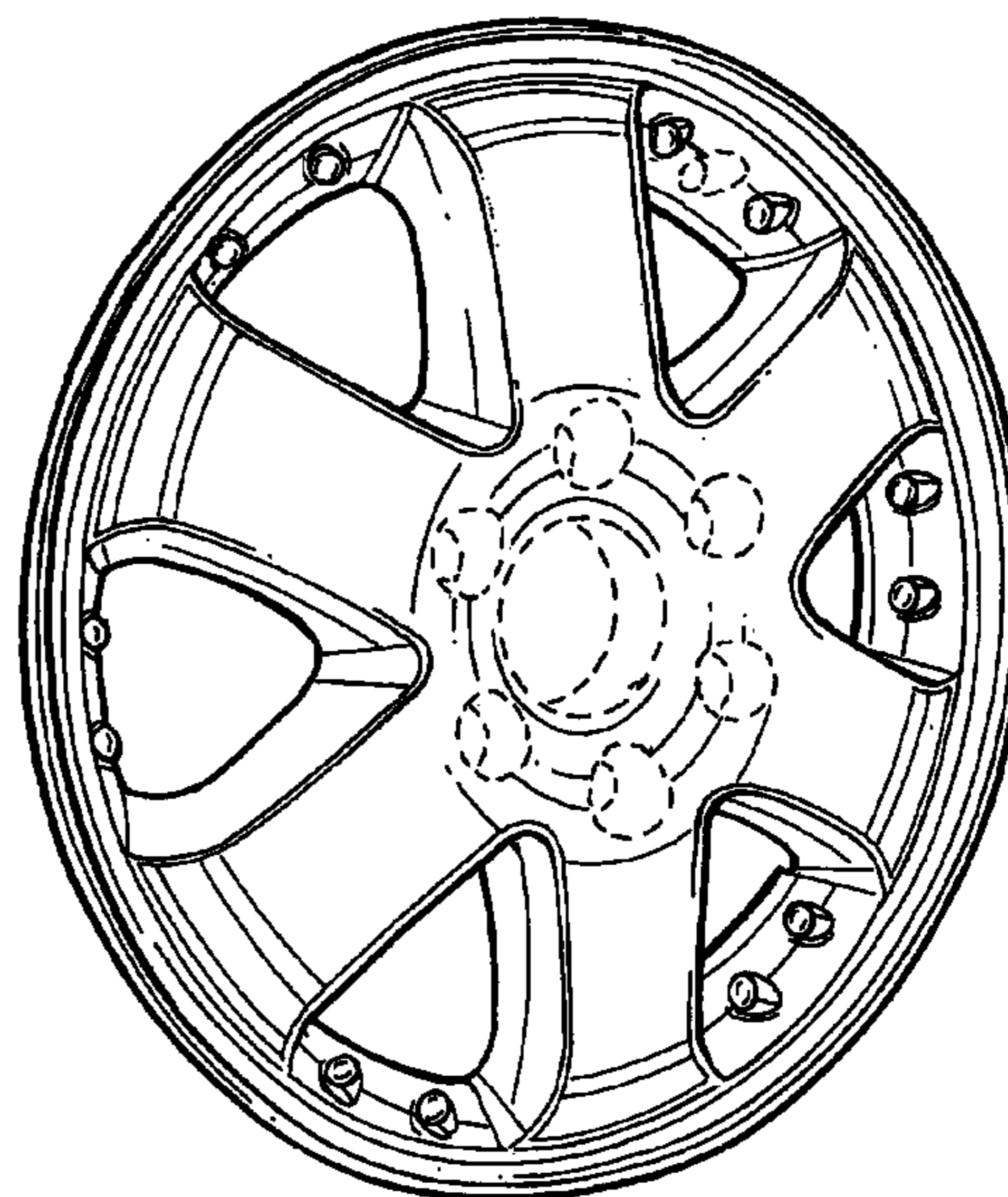
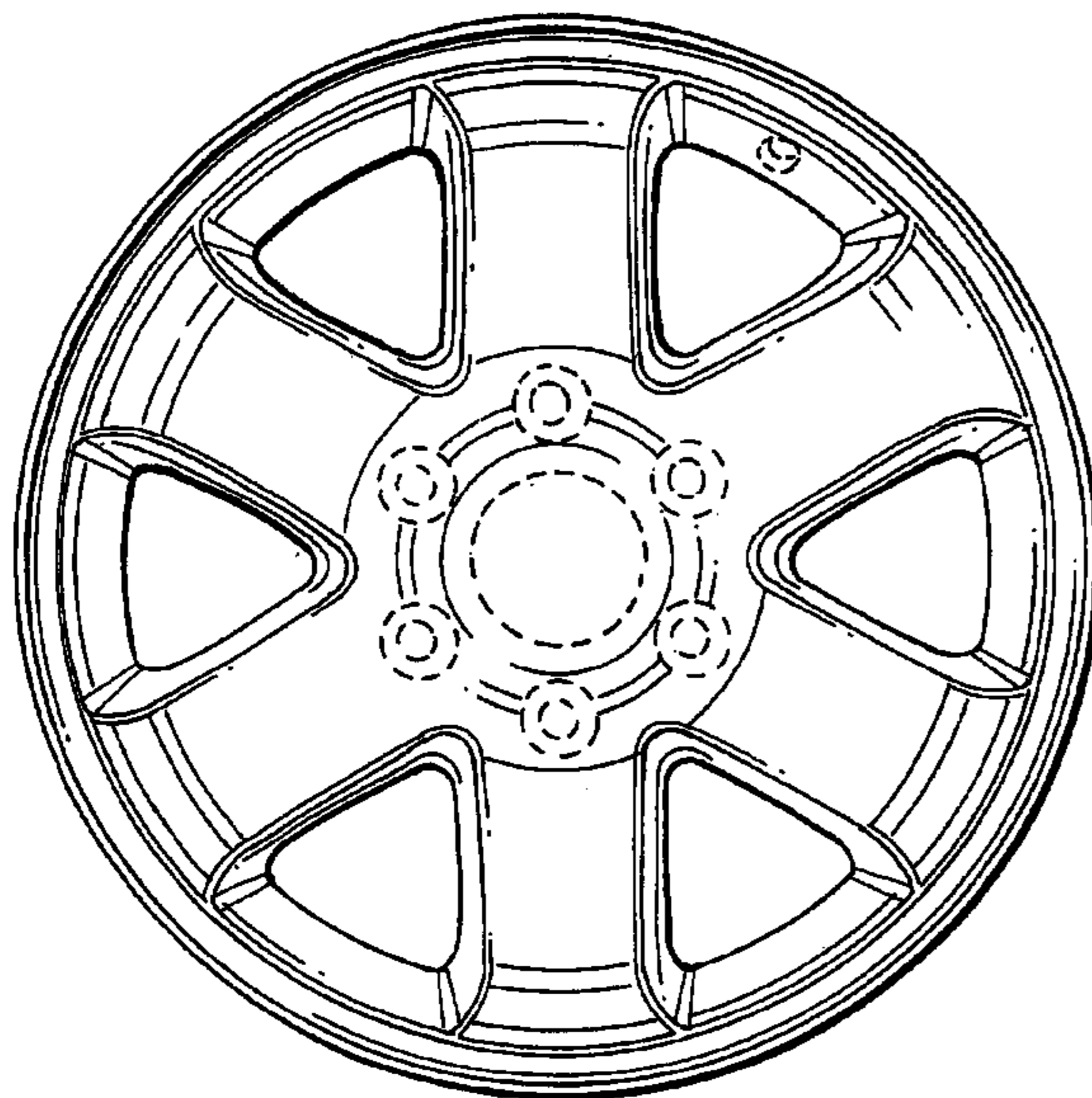
The ornamental design for a front face of a vehicle wheel, as shown and described.

DESCRIPTION

FIG. 1 is a front view of a first embodiment of a front face of a vehicle wheel according to my novel design; FIG. 2 is a perspective view of the first embodiment of the front face of a vehicle wheel according to my novel design; FIG. 3 is a front view of a second embodiment of the front face of a vehicle wheel according to my novel design; and, FIG. 4 is a perspective view of the second embodiment of the front face of a vehicle wheel according to my novel design.

The broken lines are for illustrative purposes only and form no part of the claimed design.

1 Claim, 2 Drawing Sheets



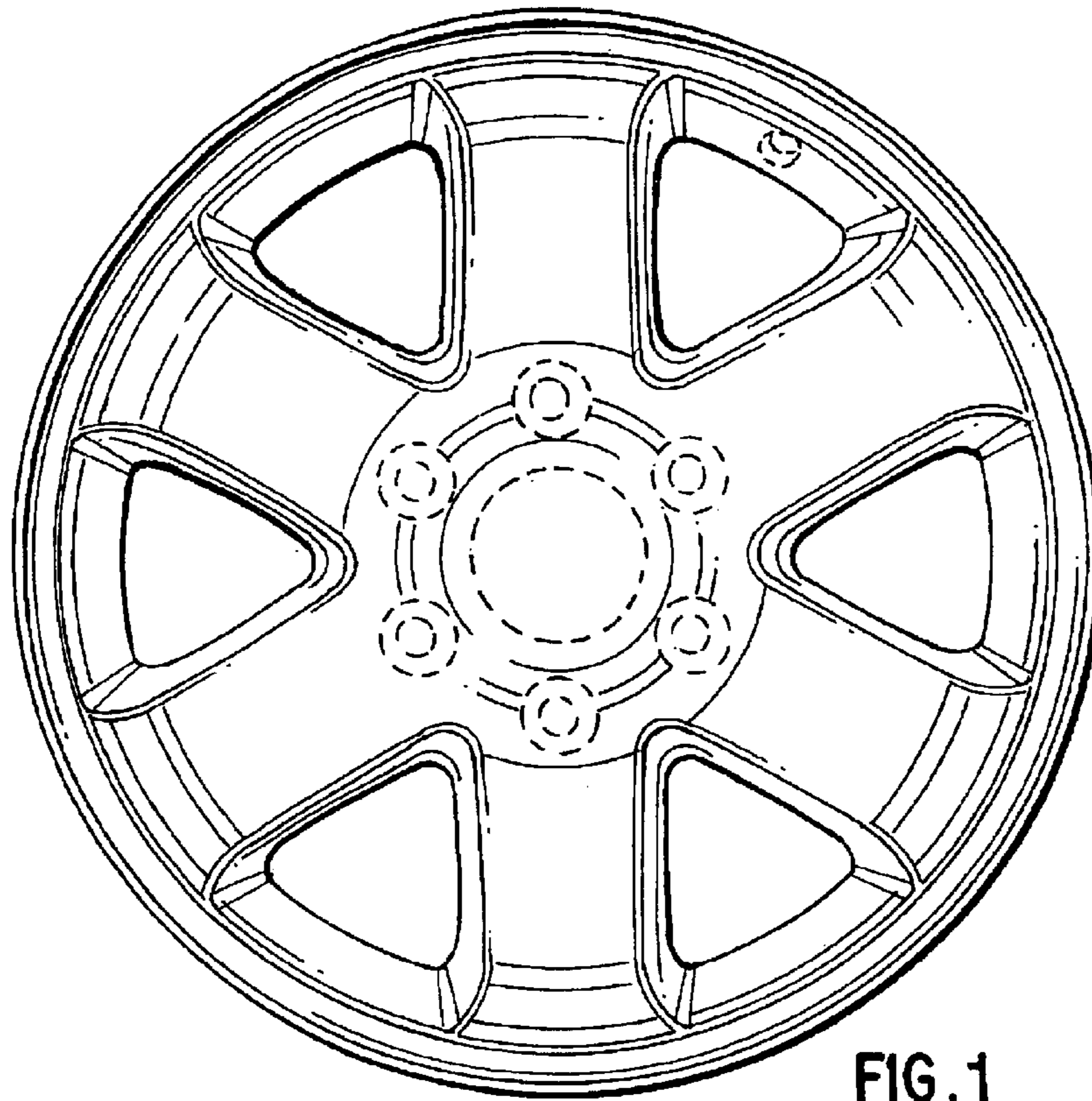


FIG. 1

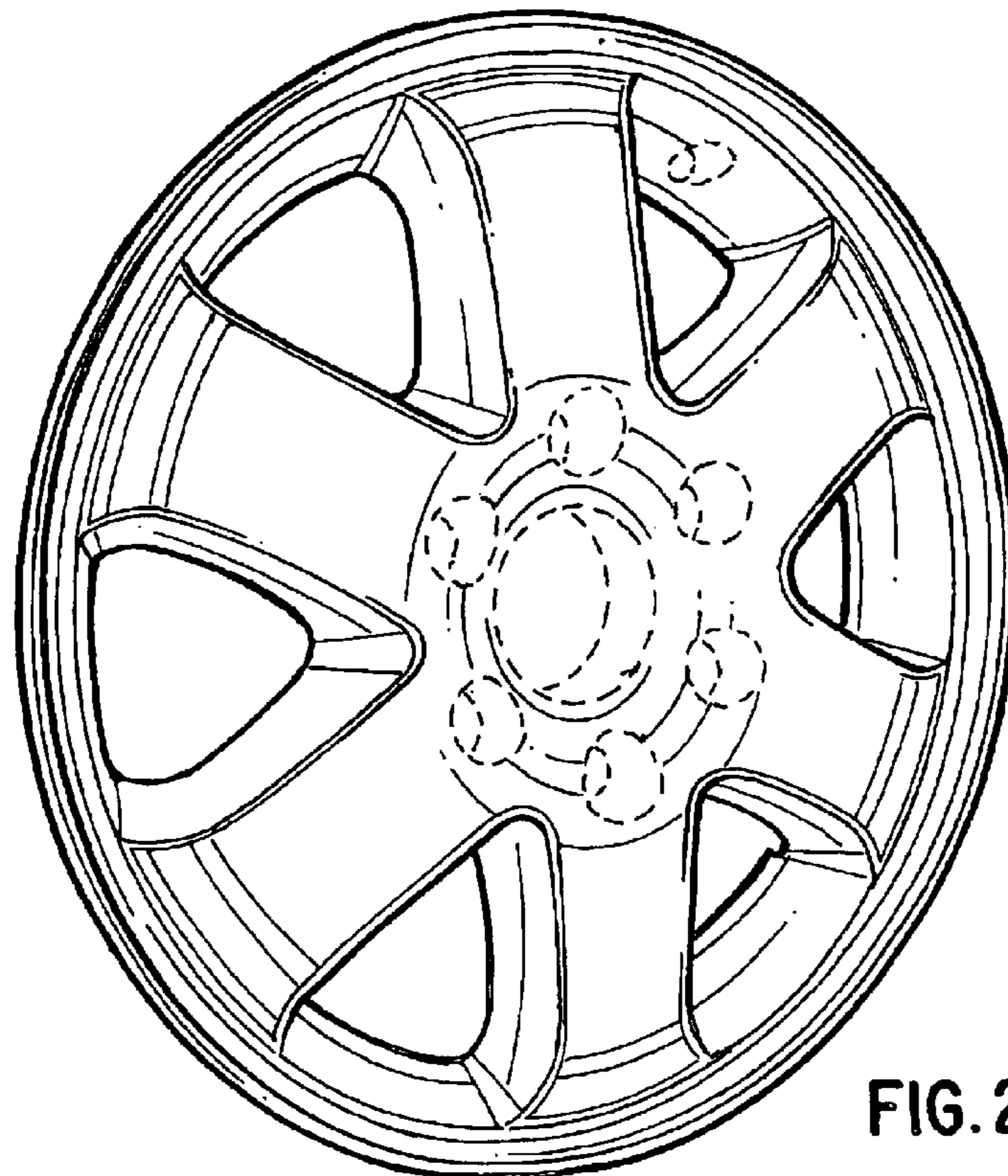


FIG. 2

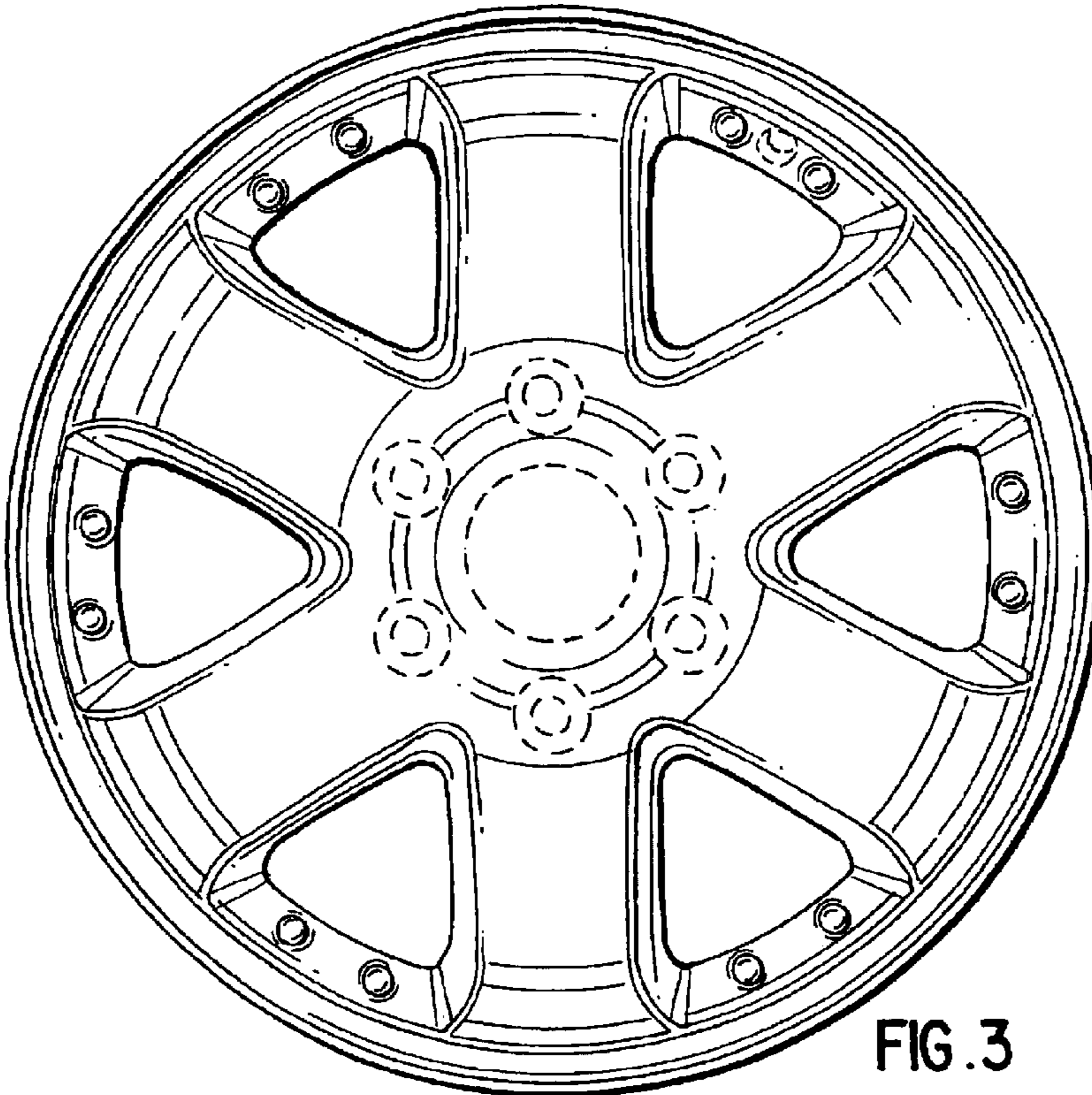


FIG. 3

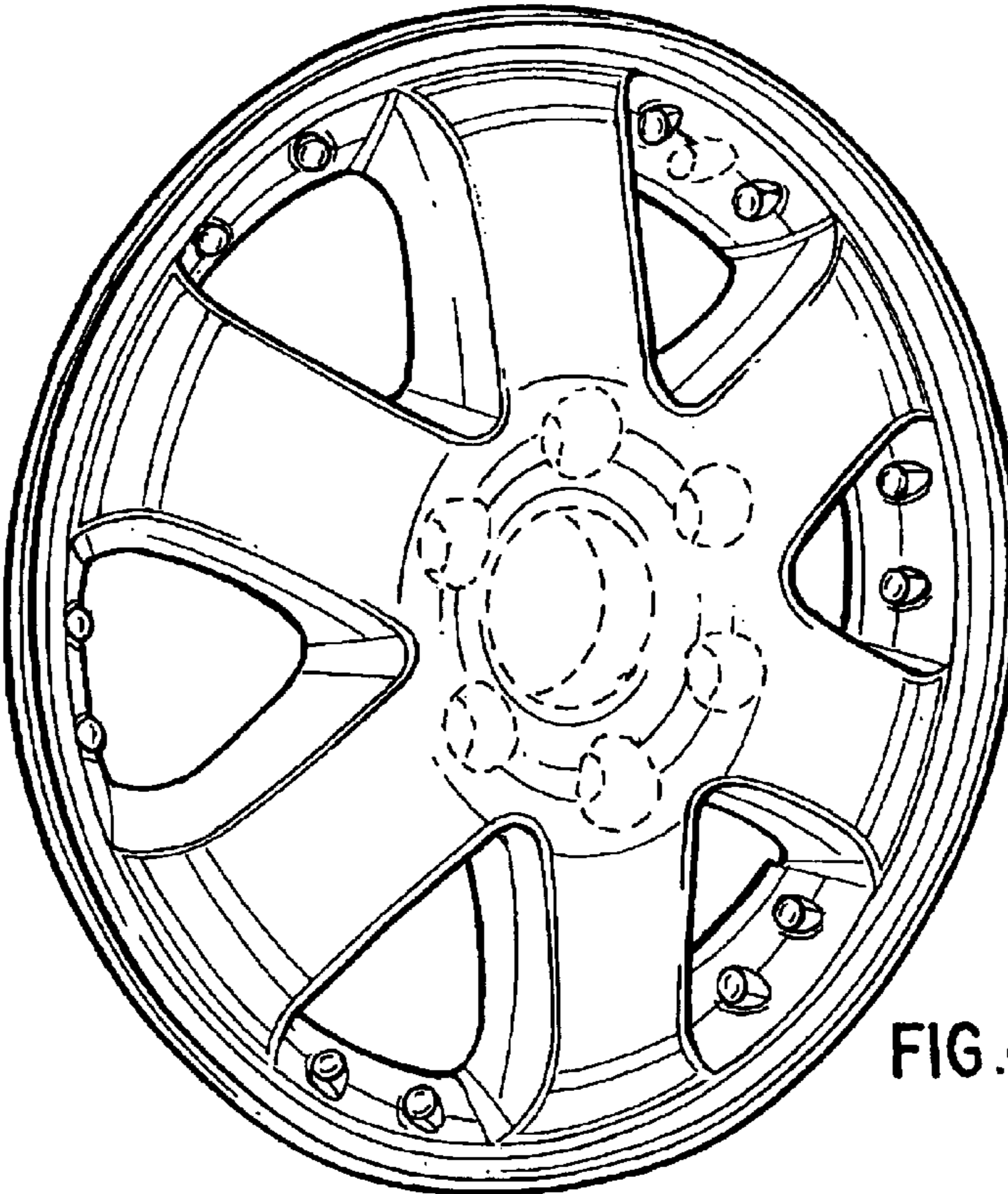


FIG. 4