

US00D506172S

(12) **United States Design Patent**
Pfeiffer

(10) **Patent No.:** **US D506,172 S**

(45) **Date of Patent:** **** Jun. 14, 2005**

(54) **FRONT FACE OF A VEHICLE WHEEL**

(75) **Inventor:** **Peter Pfeiffer**, Boeblingen (DE)

(73) **Assignee:** **DaimlerChrysler AG**, Stuttgart (DE)

(**) **Term:** **14 Years**

(21) **Appl. No.:** **29/189,863**

(22) **Filed:** **Sep. 12, 2003**

(30) **Foreign Application Priority Data**

Mar. 14, 2003 (DE) 403 02 100

(51) **LOC (8) Cl.** **12-16**

(52) **U.S. Cl.** **D12/211**

(58) **Field of Search** D12/204-213;
301/37.101, 64.101, 65

(56) **References Cited**

U.S. PATENT DOCUMENTS

- D409,132 S * 5/1999 Cullen D12/211
- D428,379 S * 7/2000 Donikoglu D12/211
- D451,877 S * 12/2001 Lee D12/211
- D460,733 S * 7/2002 Bintoro D12/211
- D470,094 S * 2/2003 van Hooydonk D12/211
- D471,503 S * 3/2003 Baumgartner D12/211

- D474,440 S * 5/2003 Oh D12/211
- D480,036 S * 9/2003 Laengerer D12/211
- D483,714 S * 12/2003 Warming D12/211
- D486,111 S * 2/2004 Weidhase D12/211
- D493,404 S * 7/2004 Baum D12/211

* cited by examiner

Primary Examiner—Stacia Cadmus

(74) *Attorney, Agent, or Firm*—Crowell & Moring LLP

(57) **CLAIM**

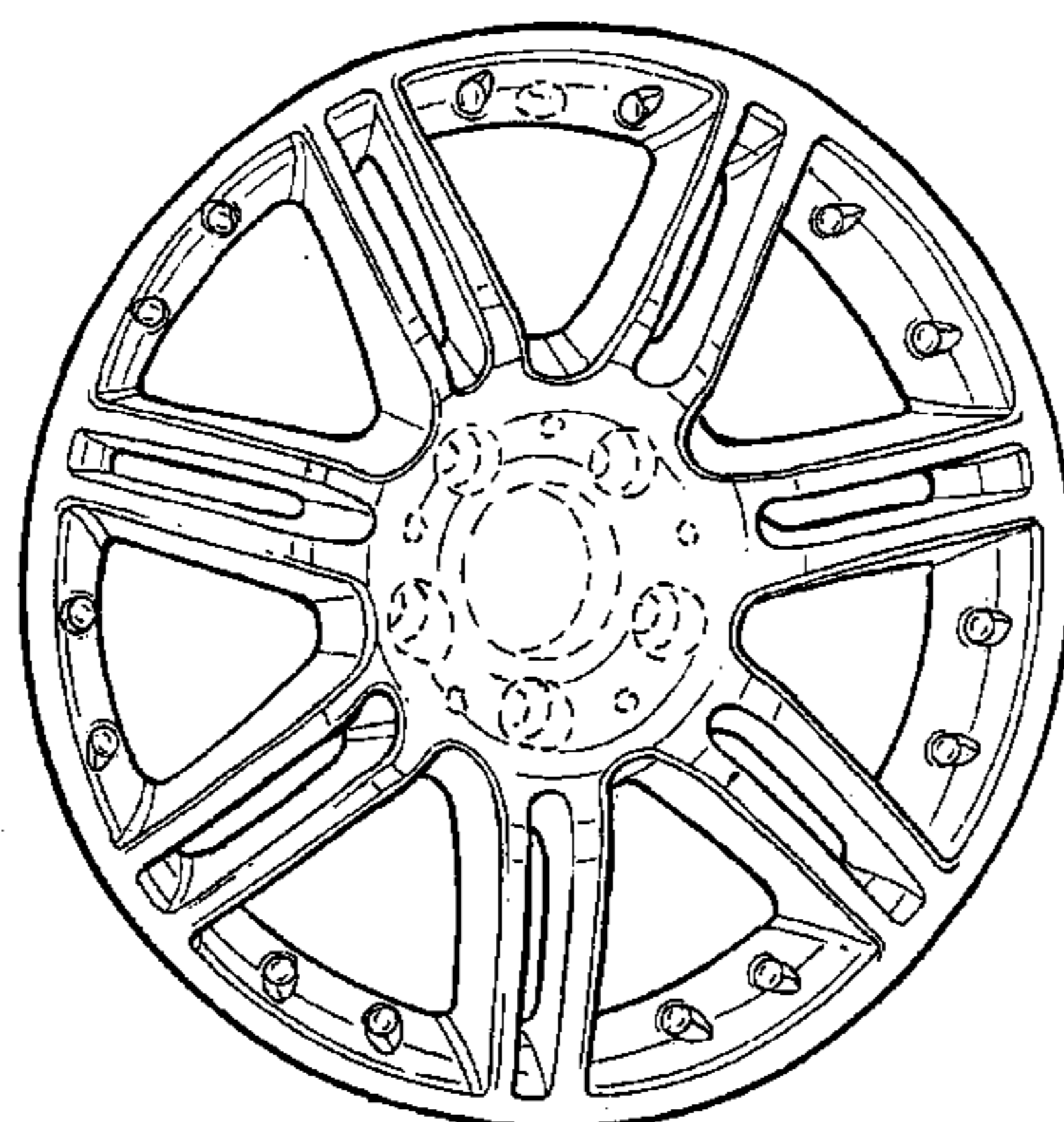
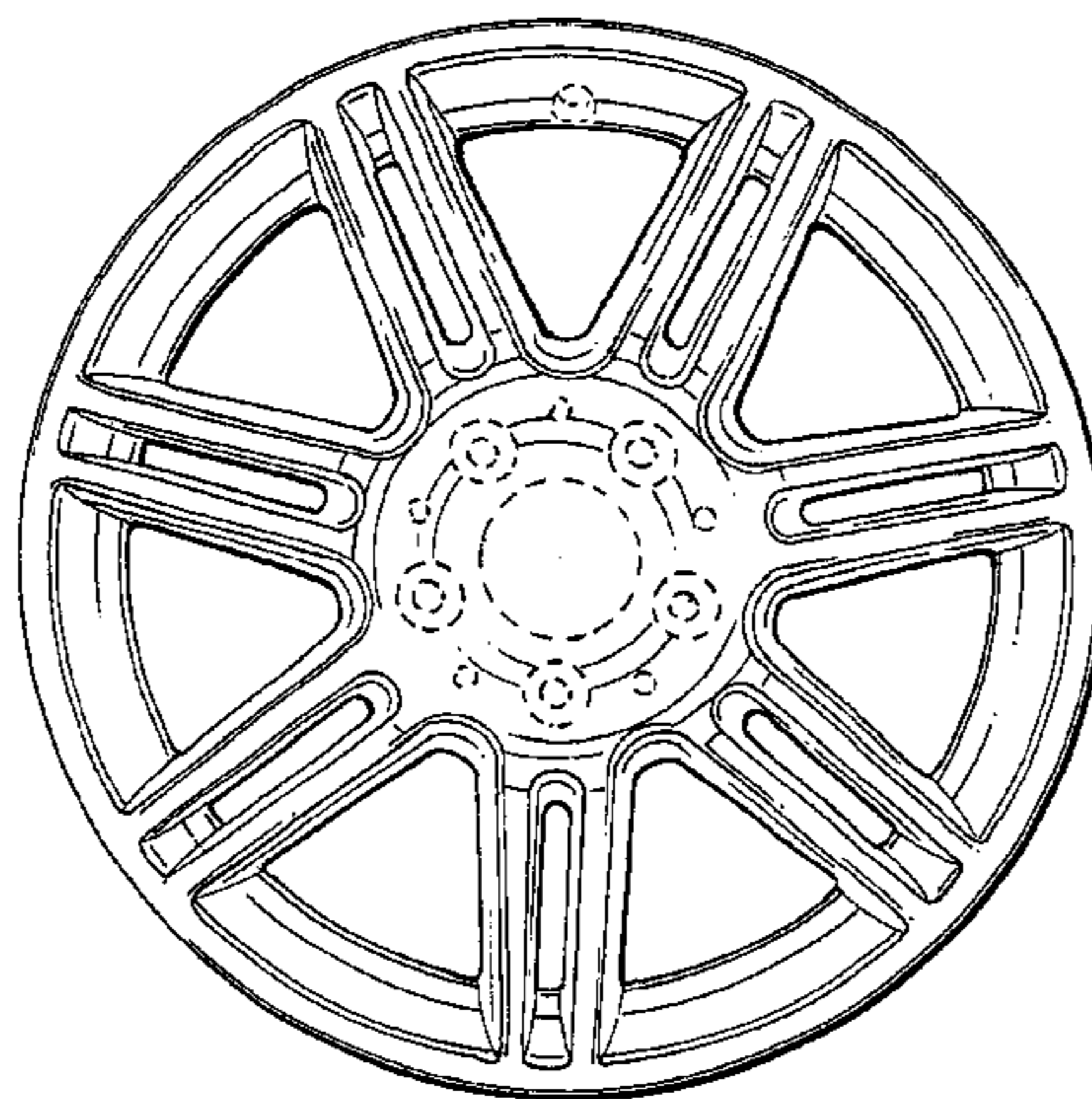
The ornamental design for a front face of a vehicle wheel, as shown and described.

DESCRIPTION

FIG. 1 is a front view of a first embodiment of a front face of a vehicle wheel according to my novel design; FIG. 2 is a perspective view of the first embodiment of the front face of a vehicle wheel according to my novel design; FIG. 3 is a front view of the second embodiment of the front face of a vehicle wheel according to my novel design; and, FIG. 4 is a perspective view of the second embodiment of the front face of a vehicle wheel according to my novel design.

The broken lines are for illustrative purposes only and form no part of the claimed design.

1 Claim, 2 Drawing Sheets



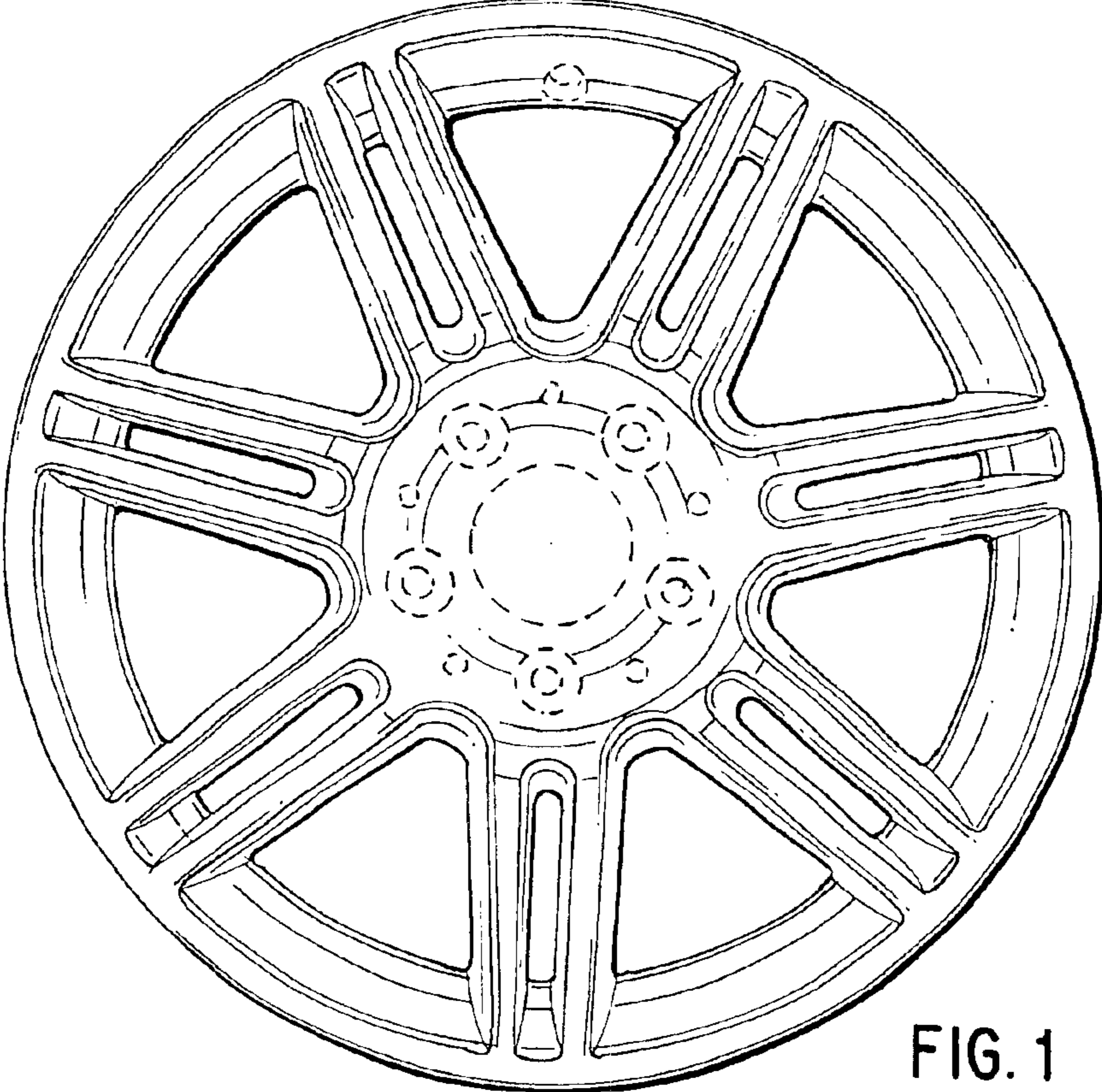


FIG. 1

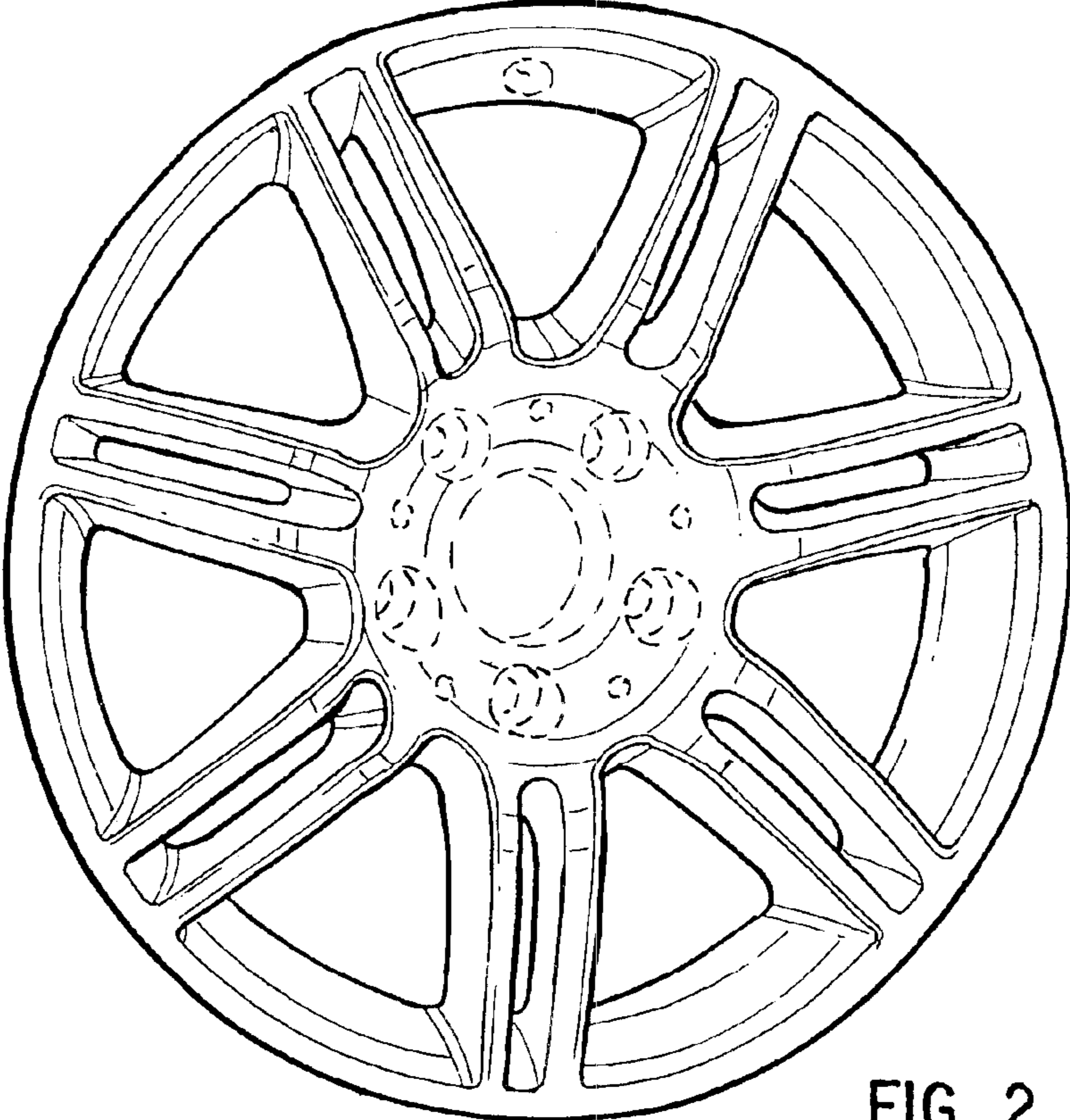


FIG. 2

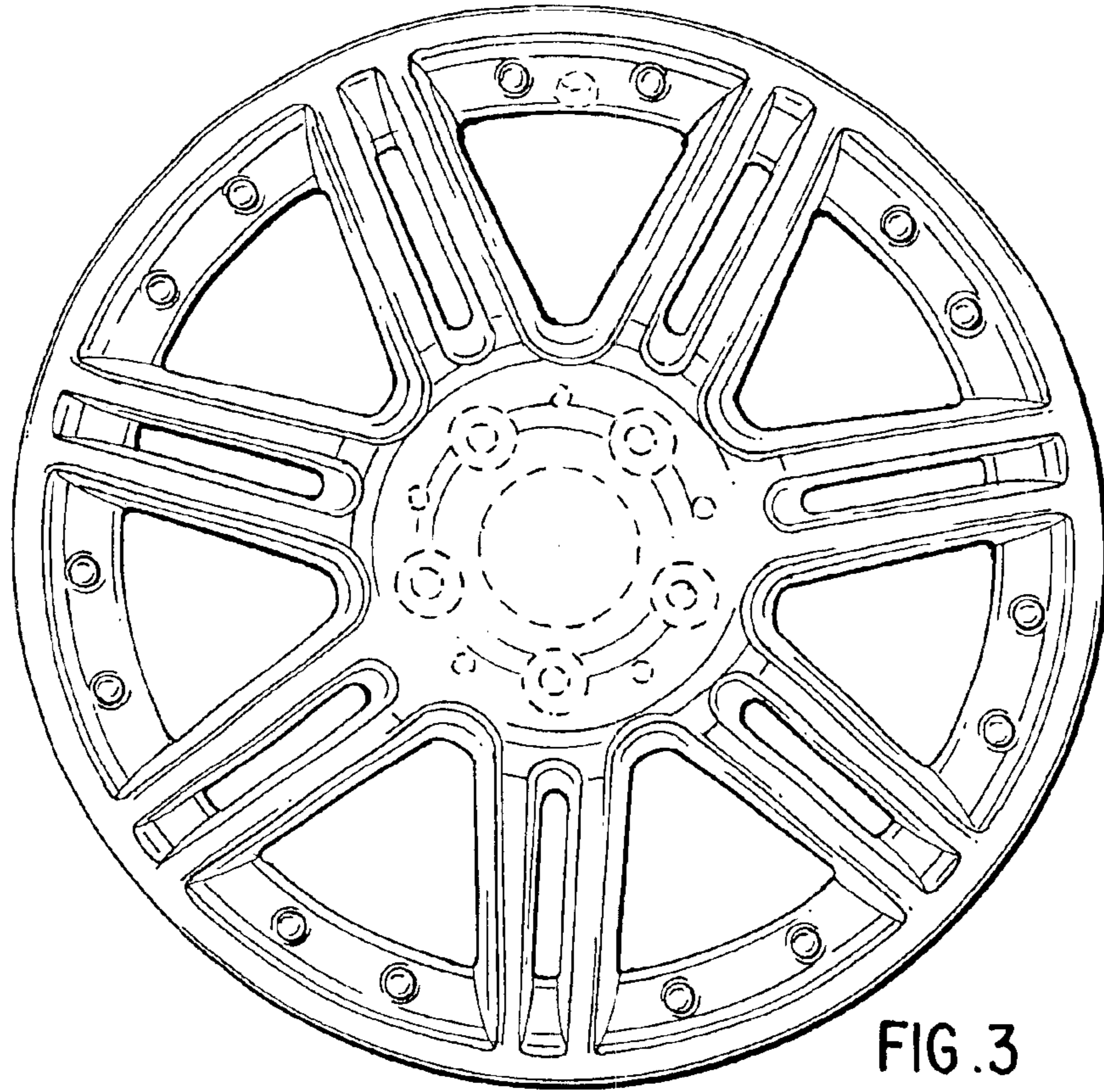


FIG. 3

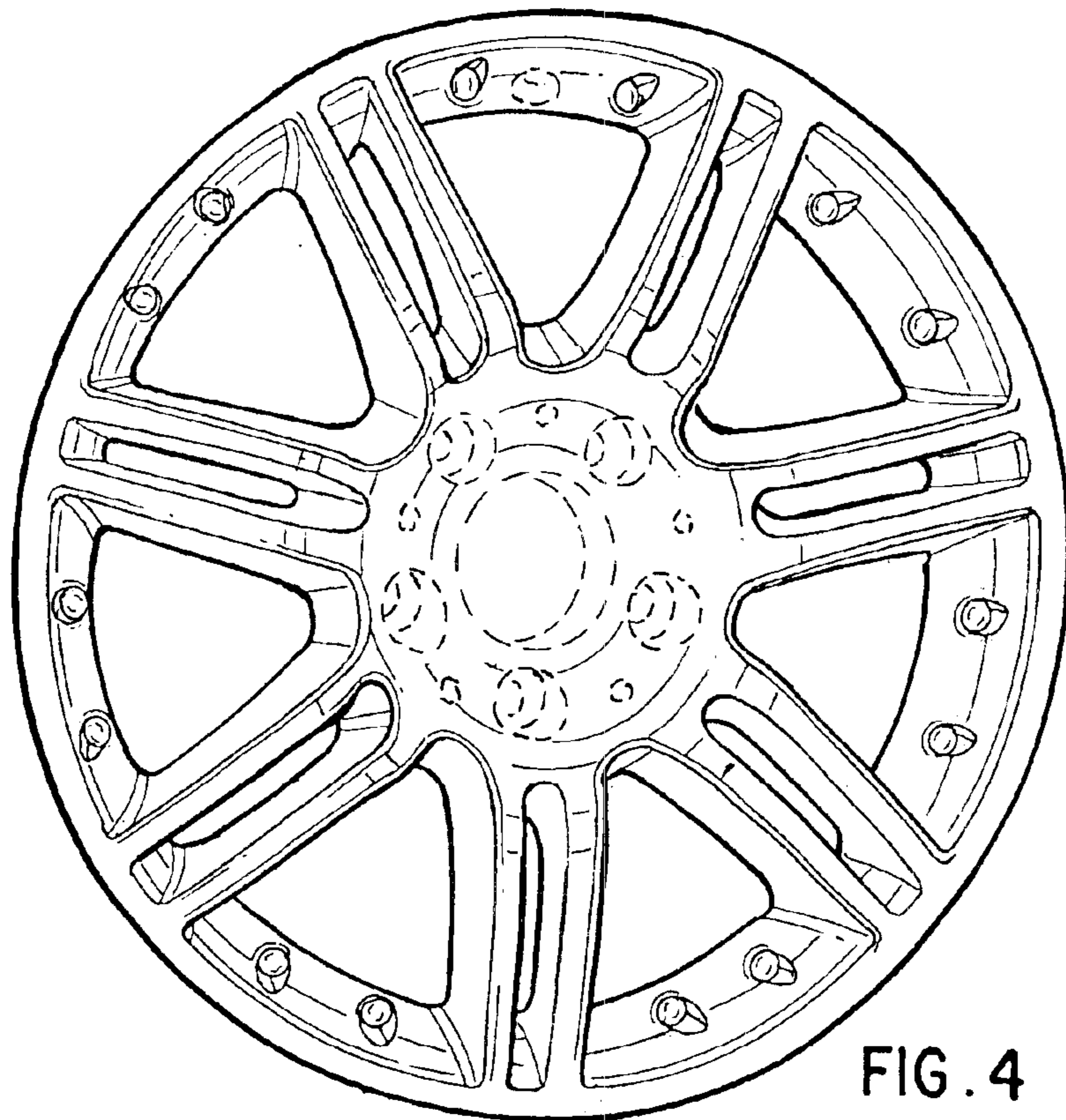


FIG. 4