

US00D506170S

(12) **United States Design Patent**
Thiesen

(10) **Patent No.:** **US D506,170 S**
(45) **Date of Patent:** **** Jun. 14, 2005**

- (54) **VEHICULAR EXHAUST PIPE**
- (75) **Inventor:** **Lars Peter Thiesen, Mainz (DE)**
- (73) **Assignee:** **General Motors Corporation, Detroit, MI (US)**
- (**) **Term:** **14 Years**
- (21) **Appl. No.:** **29/211,704**
- (22) **Filed:** **Aug. 19, 2004**
- (51) **LOC (8) Cl.** **12-16**
- (52) **U.S. Cl.** **D12/194**
- (58) **Field of Search** D12/194, 110,
D12/400; D15/5; 60/313, 323; 181/211-212,
227-228, 239, 241, 262-263, 259-260

- D468,673 S * 1/2003 Horowitz D12/194
- D485,222 S * 1/2004 Kerr D12/194
- D489,662 S * 5/2004 Barnes D12/194
- D489,664 S * 5/2004 Barnes D12/194
- D490,038 S * 5/2004 Macaluso D12/194
- D494,116 S * 8/2004 Barnes D12/194

* cited by examiner

Primary Examiner—Stacia Cadmus
(74) *Attorney, Agent, or Firm*—Timothy G. Gorbatoff

(56) **References Cited**
U.S. PATENT DOCUMENTS

- D191,509 S * 10/1961 Feinberg D12/194
- 6,085,863 A * 7/2000 Shuen 181/228
- D460,726 S * 7/2002 Campbell et al. D12/194

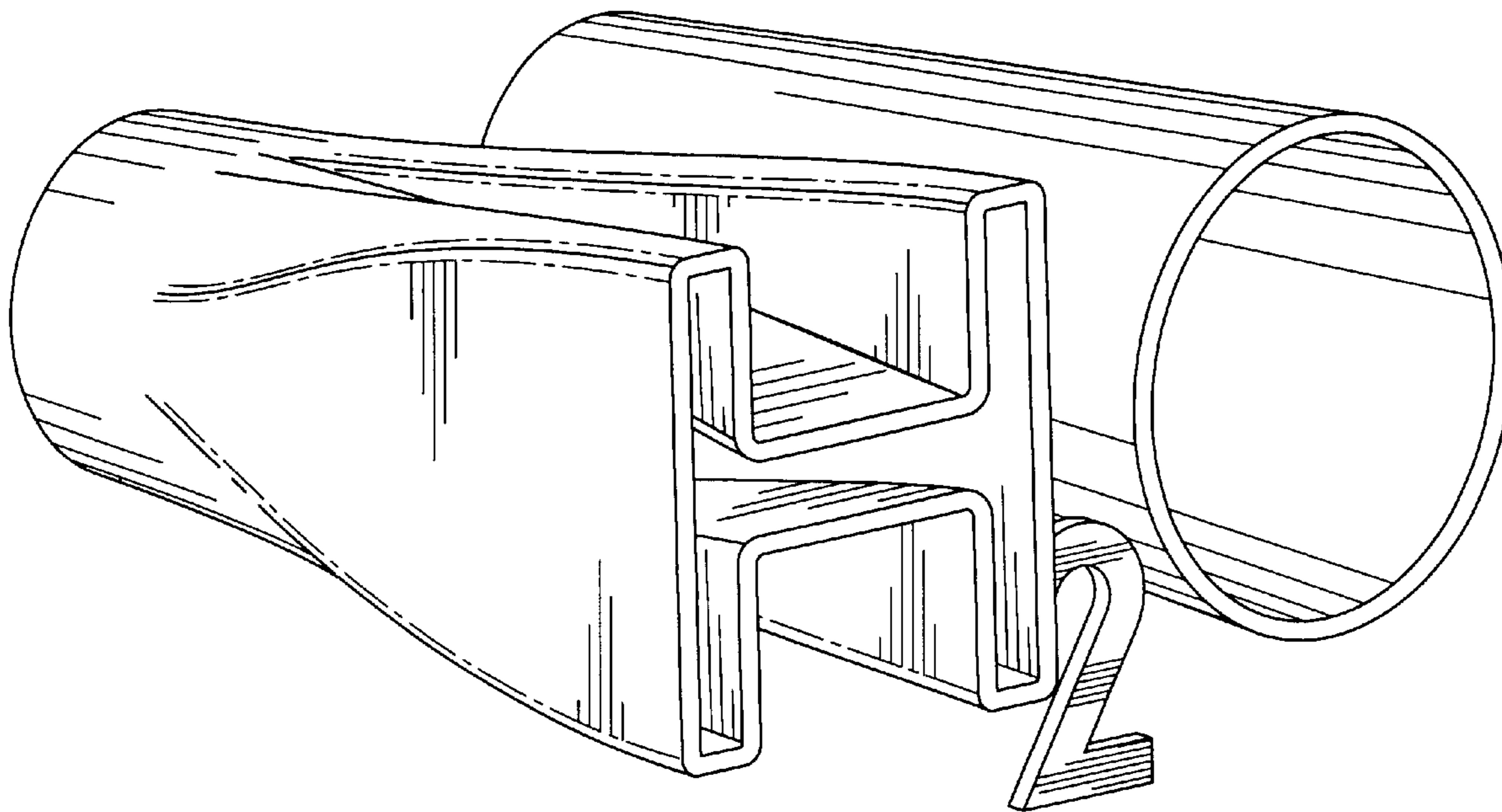
(57) **CLAIM**

The ornamental design for a vehicular exhaust pipe, as shown and described.

DESCRIPTION

FIG. 1 is a front view of a vehicular exhaust pipe showing my new design;
FIG. 2 is a right front perspective view thereof;
FIG. 3 is a left front perspective view thereof; and,
FIG. 4 is a top view thereof.

1 Claim, 2 Drawing Sheets



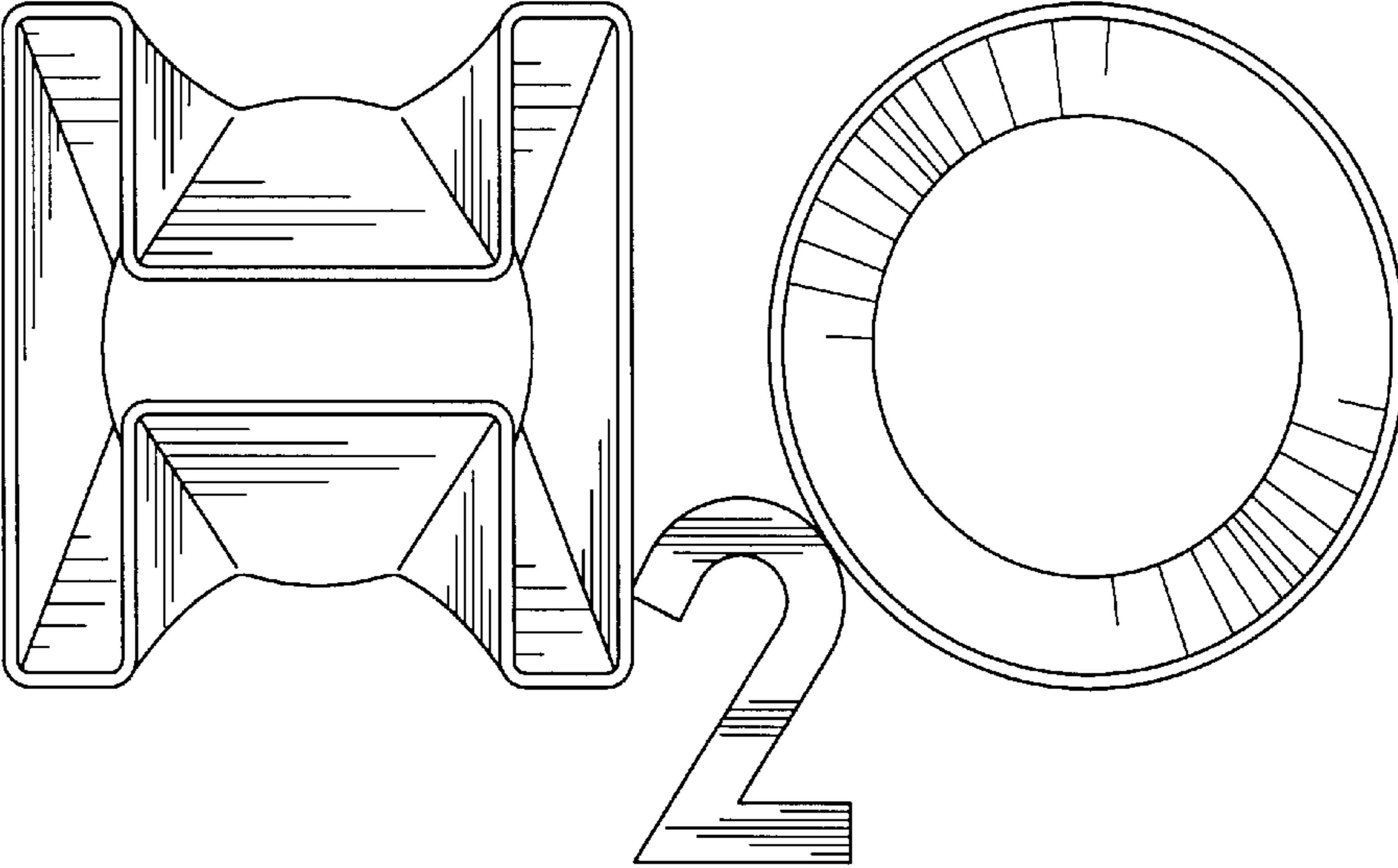


FIG. 1

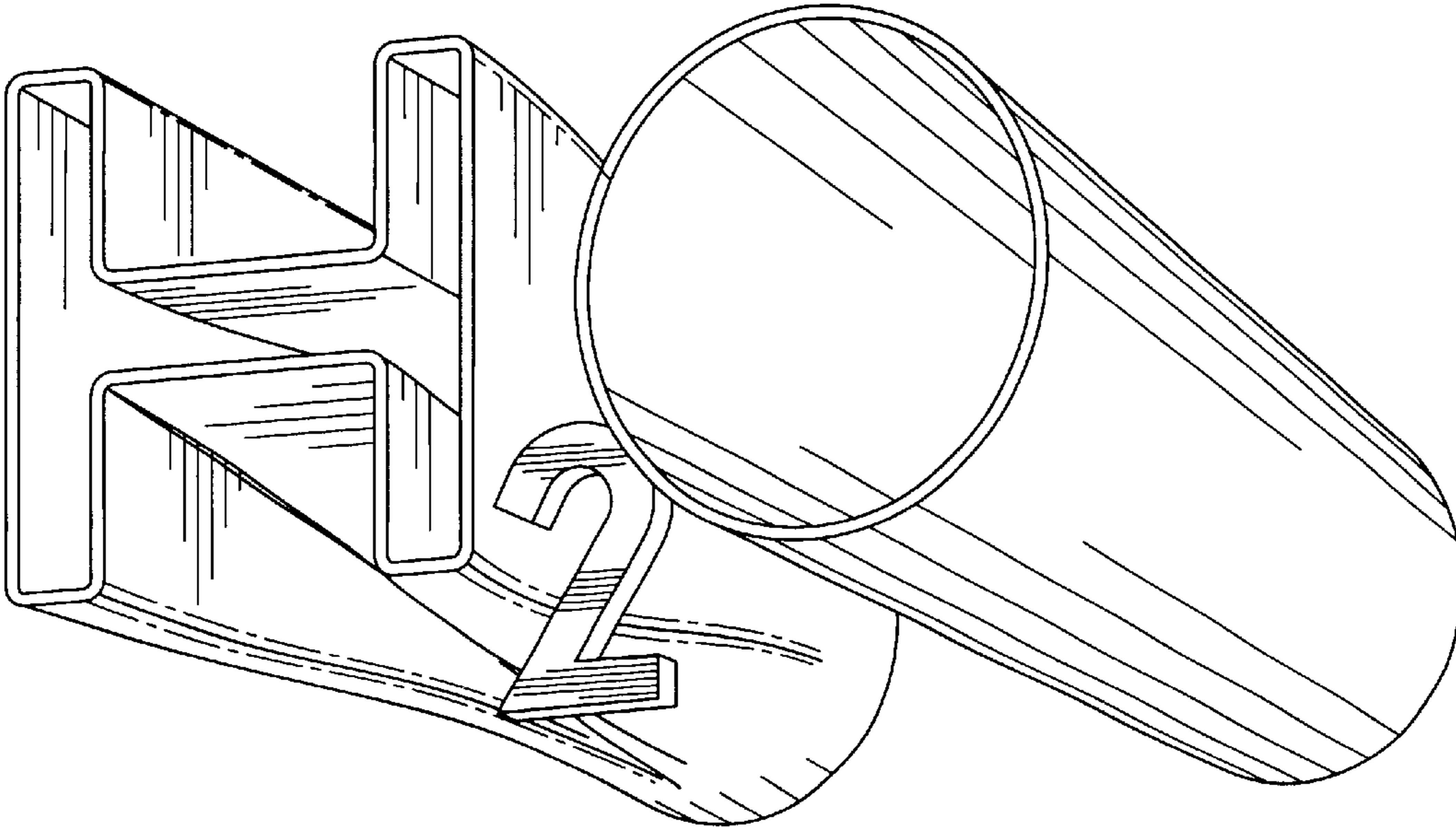


FIG. 2

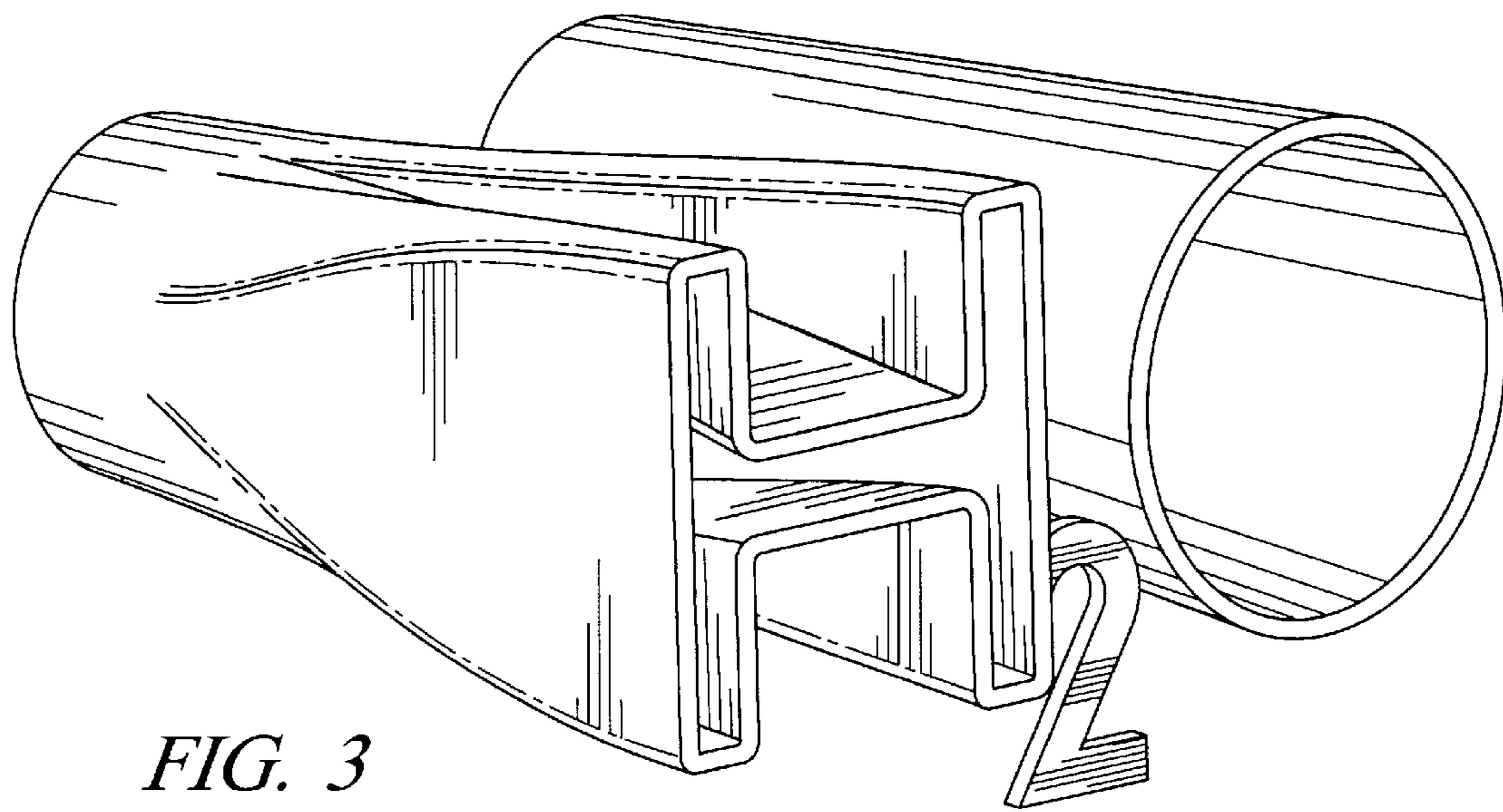


FIG. 3

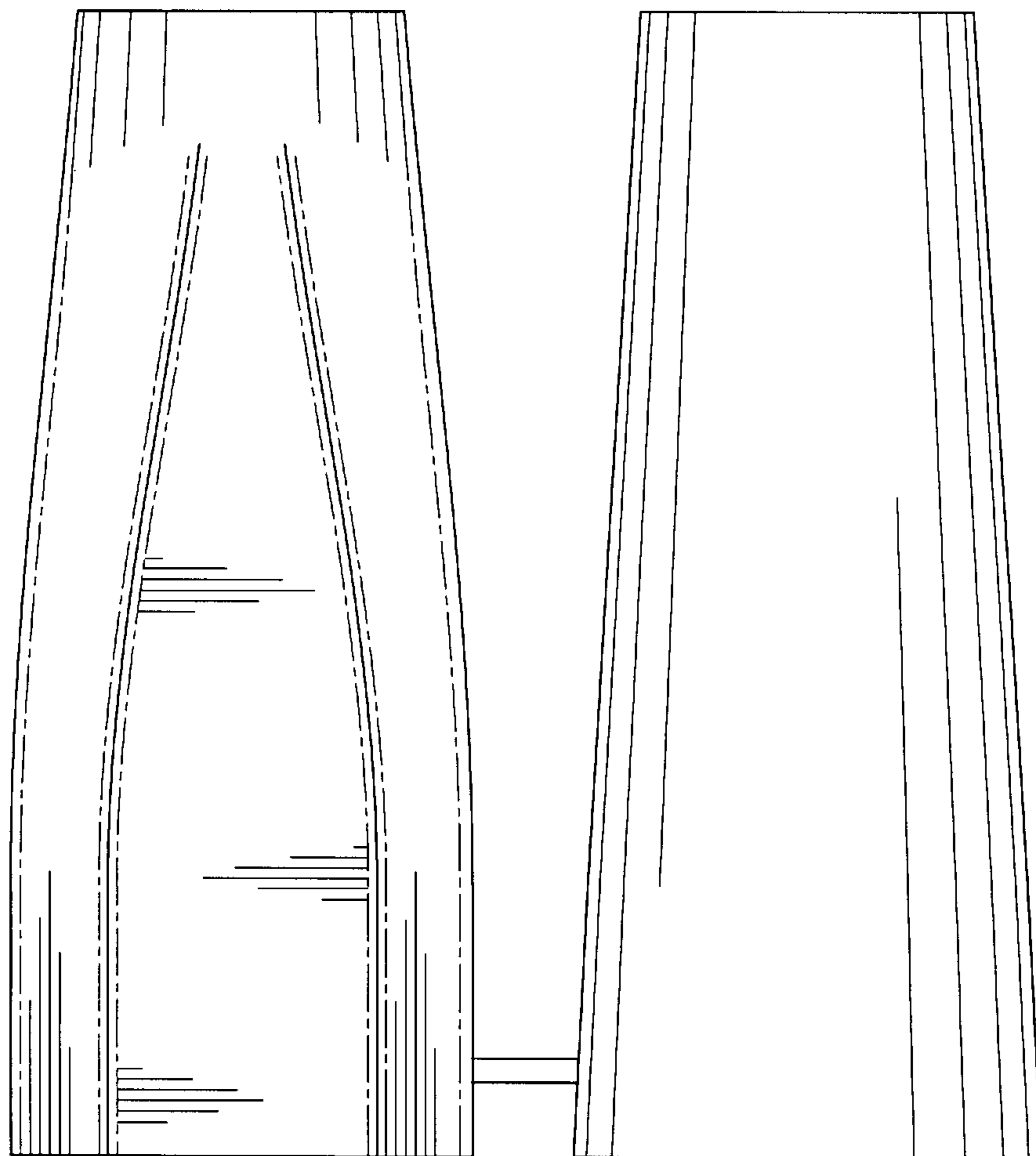


FIG. 4