

US00D506168S

(12) **United States Design Patent**
Chan

(10) **Patent No.:** **US D506,168 S**
(45) **Date of Patent:** **** Jun. 14, 2005**

(54) **AUTOMOBILE REAR BUMPER**
(75) **Inventor:** **Chung Chan**, Monterey Park, CA (US)
(73) **Assignee:** **VIS Racing Sports, Inc.**, City of Industry, CA (US)
(**) **Term:** **14 Years**

D462,038 S 8/2002 Yokomaku
D470,804 S 2/2003 Chan
D473,169 S 4/2003 Chan
D476,928 S * 7/2003 Boyer D12/169
D487,038 S * 2/2004 Chan D12/169
D493,752 S * 8/2004 Kneefel et al. D12/169

* cited by examiner

Primary Examiner—Melody N. Brown
(74) *Attorney, Agent, or Firm*—Joel D. Voelzke

(21) **Appl. No.:** **29/201,331**
(22) **Filed:** **Mar. 12, 2004**

(57) **CLAIM**

(51) **LOC (8) Cl.** **12-16**
(52) **U.S. Cl.** **D12/169**
(58) **Field of Search** D12/169, 196,
D12/190, 90-92, 171; 296/180.1, 180.2;
293/102, 113, 115, 120

The ornamental design for an automobile rear bumper, as shown and described.

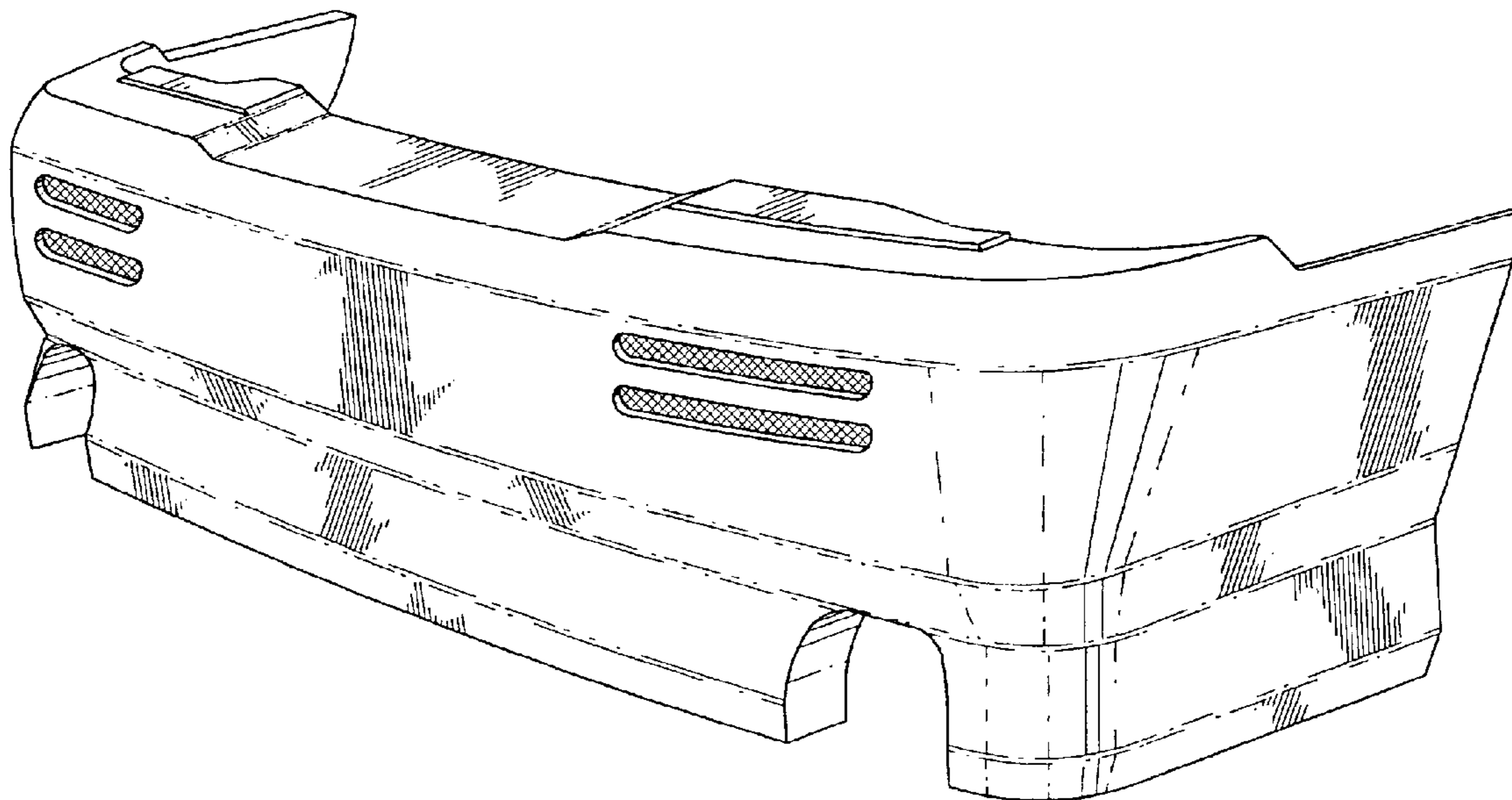
DESCRIPTION

(56) **References Cited**
U.S. PATENT DOCUMENTS

FIG. 1 is a perspective view of an automobile rear bumper showing my new design; FIG. 2 is a front elevation view; and, FIG. 3 is a side elevation view. The rear view of the surface that faces the automobile when installed is omitted and is not part of the claimed design.

D452,669 S 1/2002 Yokomaku
D452,670 S 1/2002 Ishii et al.
D453,719 S 2/2002 Sacco et al.

1 Claim, 2 Drawing Sheets



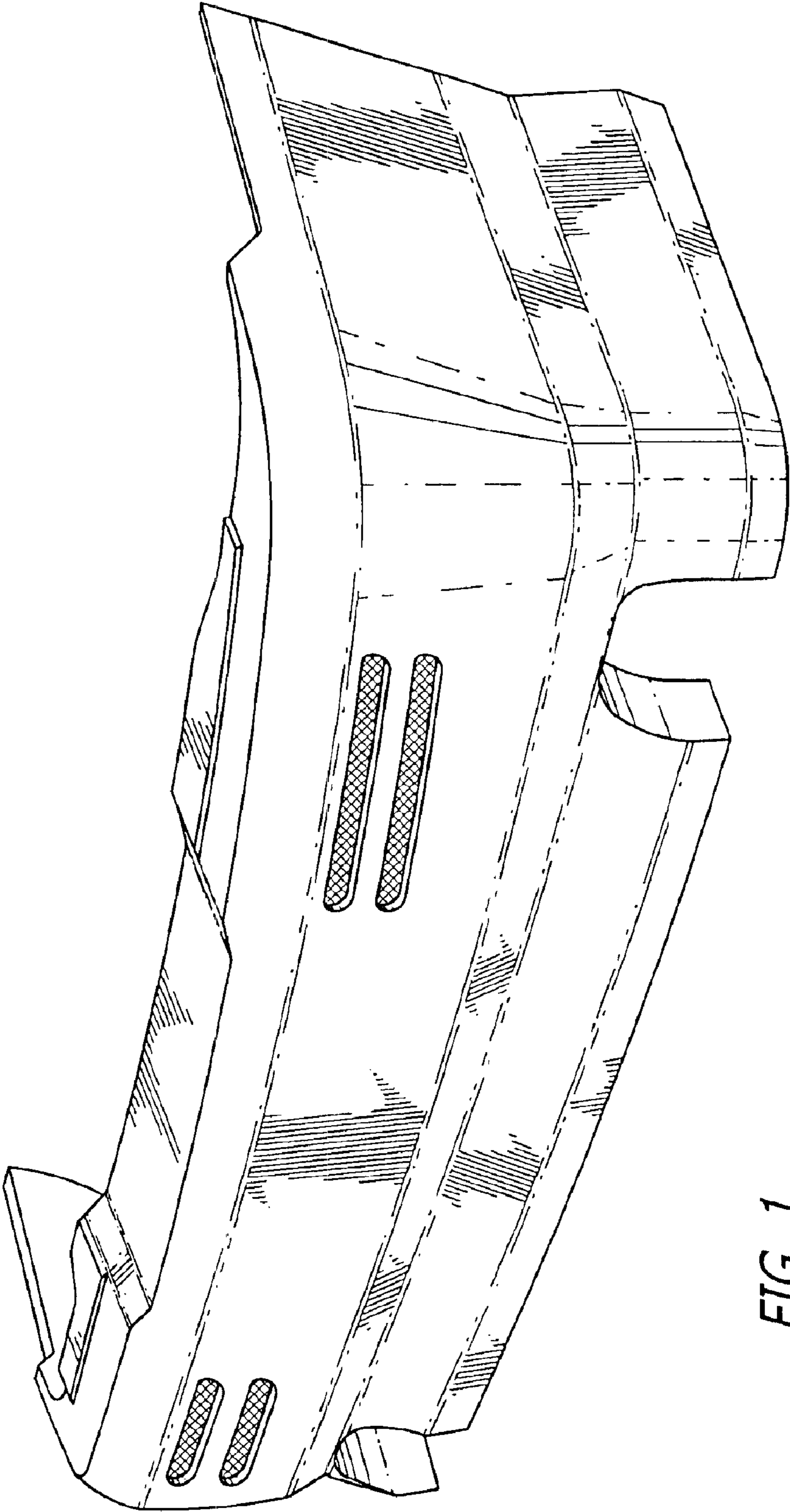


FIG. 1

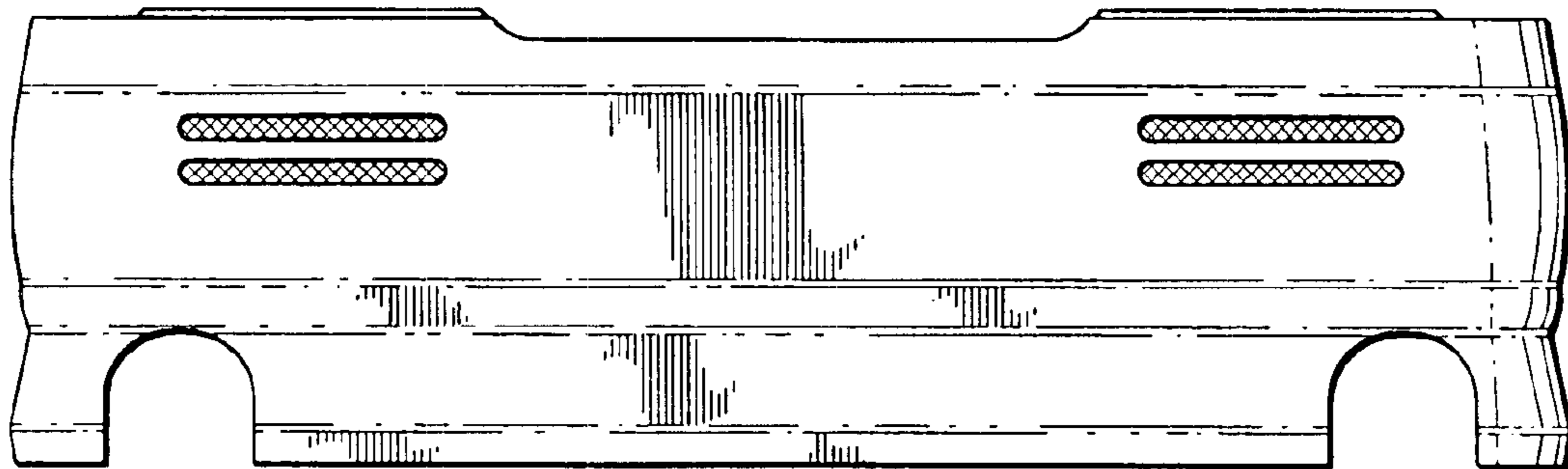


FIG. 2

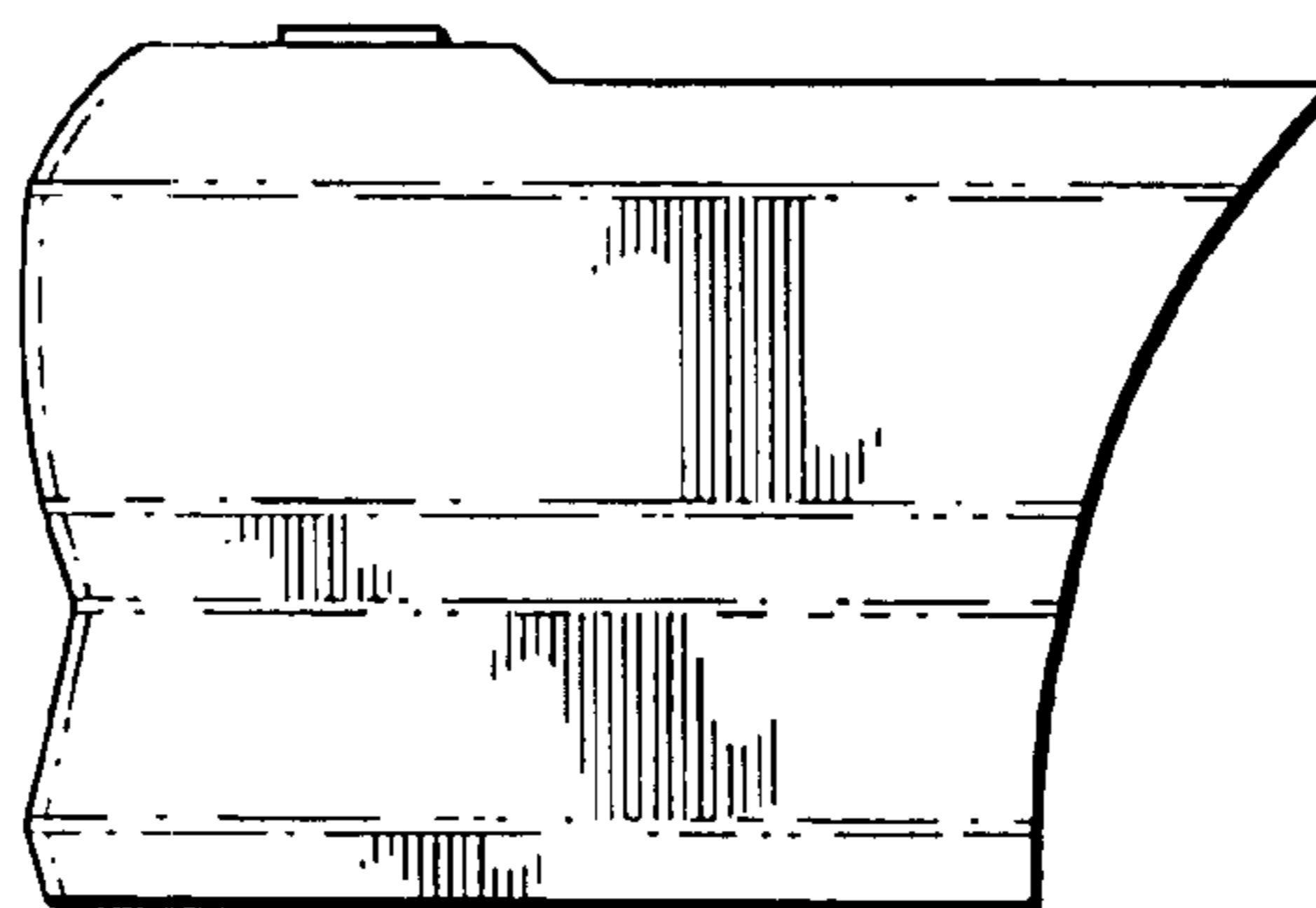


FIG. 3