

US00D506165S

(12) **United States Design Patent**
Koike et al.

(10) **Patent No.: US D506,165 S**
(45) **Date of Patent: ** Jun. 14, 2005**

- (54) **WHEELCHAIR FOR ATHLETICS**
- (75) Inventors: **Akio Koike, Saitama (JP); Kyoichi Yokouchi, Saitama (JP)**
- (73) Assignee: **Honda Motor Co., Ltd., Tokyo (JP)**
- (**) Term: **14 Years**
- (21) Appl. No.: **29/203,769**
- (22) Filed: **Apr. 20, 2004**
- (30) **Foreign Application Priority Data**
Nov. 14, 2003 (JP) 2003-033999
- (51) **LOC (8) Cl. 12-99**
- (52) **U.S. Cl. D12/131**
- (58) **Field of Search D12/128-133;**
280/242.1, 250.1, 647; 297/DIG. 4

- JP 1183505 9/2003
- JP 1183506 9/2003
- JP 1183507 9/2003
- JP 1183508 9/2003
- JP 005517 2/2004

* cited by examiner

Primary Examiner—Marcus A. Jackson
(74) *Attorney, Agent, or Firm*—Westerman, Hattori, Daniels & Adrian, LLP

(57) **CLAIM**

The ornamental design for, wheelchair for athletics, as shown and described.

DESCRIPTION

FIG. 1 is a right side elevation view of wheelchair for athletics, showing our new design;
FIG. 2 is a left side elevation view thereof;
FIG. 3 is a top plan view thereof;
FIG. 4 is a rear Elevation View thereof;
FIG. 5 is a front elevation view thereof;
FIG. 6 is a perspective view thereof; and,
FIG. 7 is another perspective view thereof.
The broken lines are for illustrative purposes only and form no part of the claimed design.

- (56) **References Cited**
U.S. PATENT DOCUMENTS
D365,788 S * 1/1996 Peterson D12/131
D368,881 S * 4/1996 Coombes et al. D12/131
D488,109 S * 4/2004 Koshiishi D12/131

- FOREIGN PATENT DOCUMENTS**
JP 1183504 9/2003

1 Claim, 7 Drawing Sheets

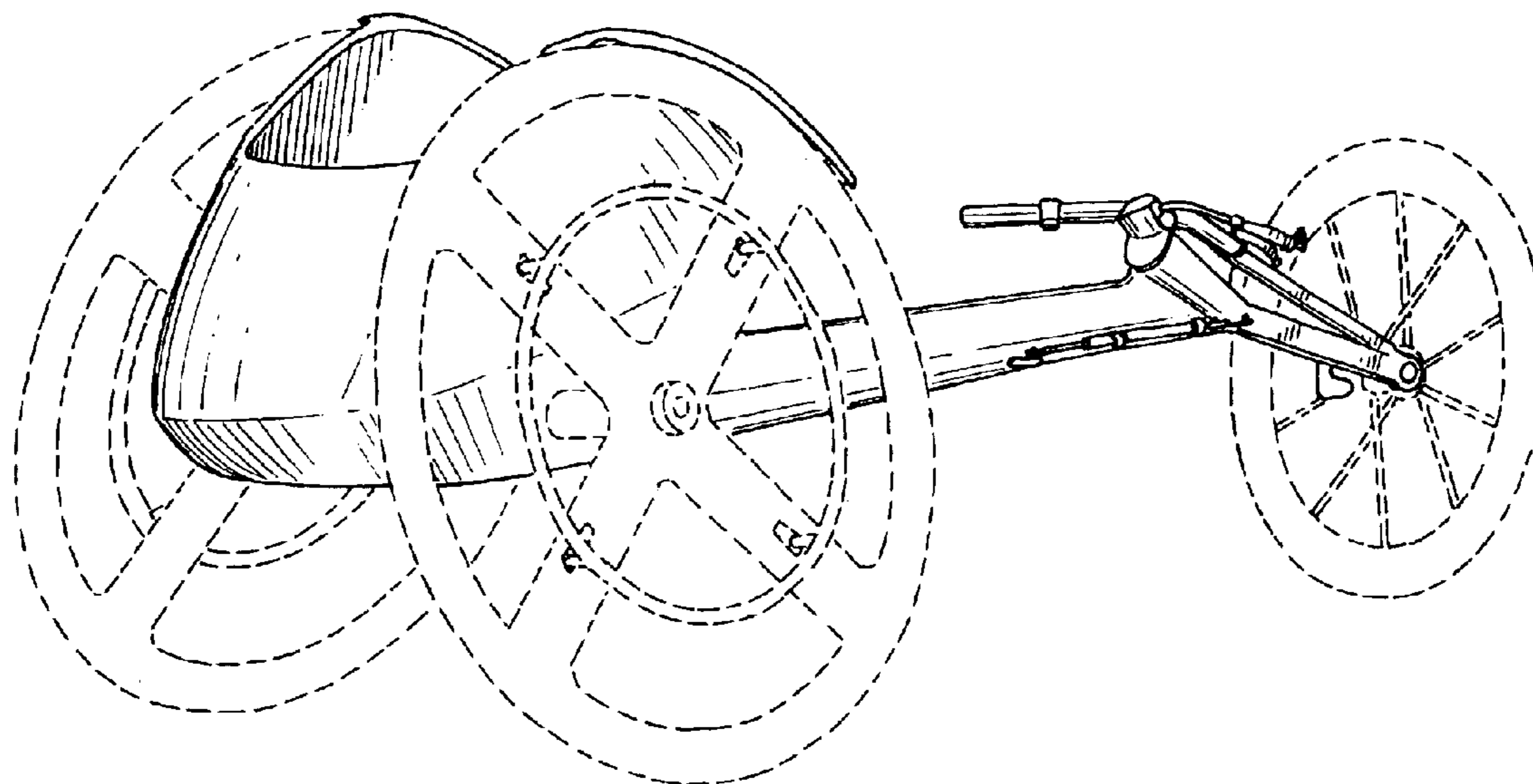


FIG. 1

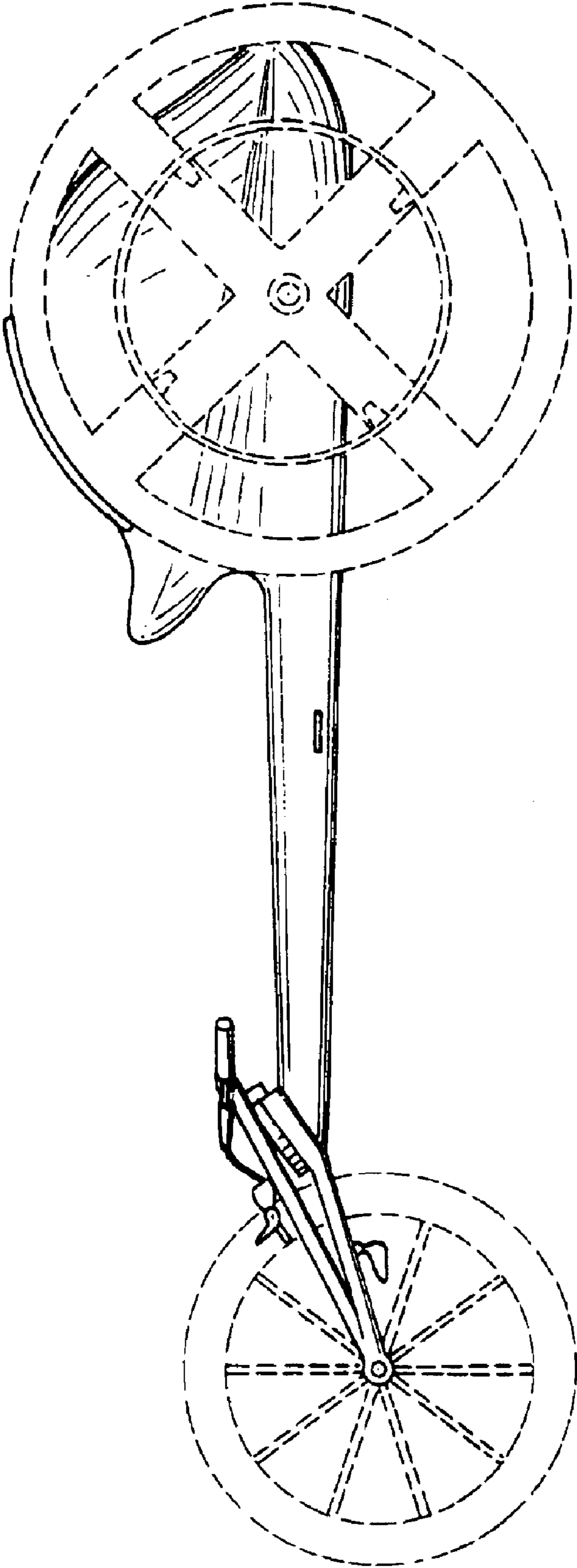


FIG. 2

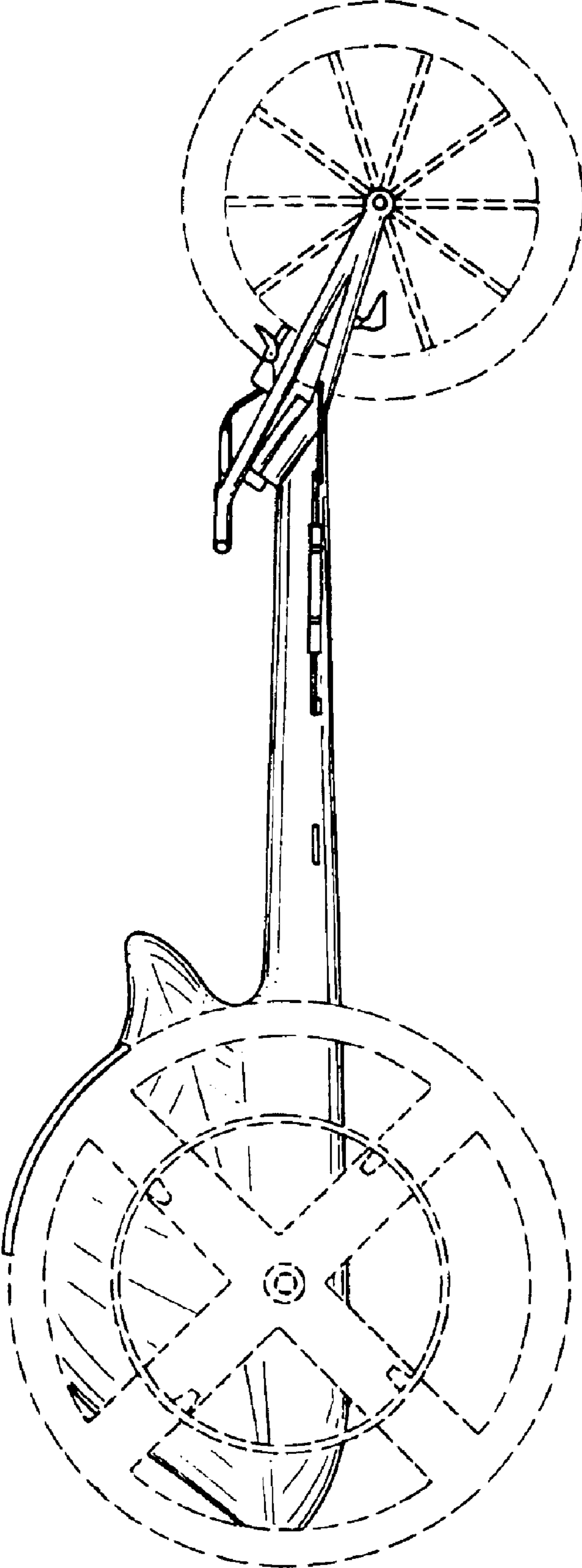


FIG. 3

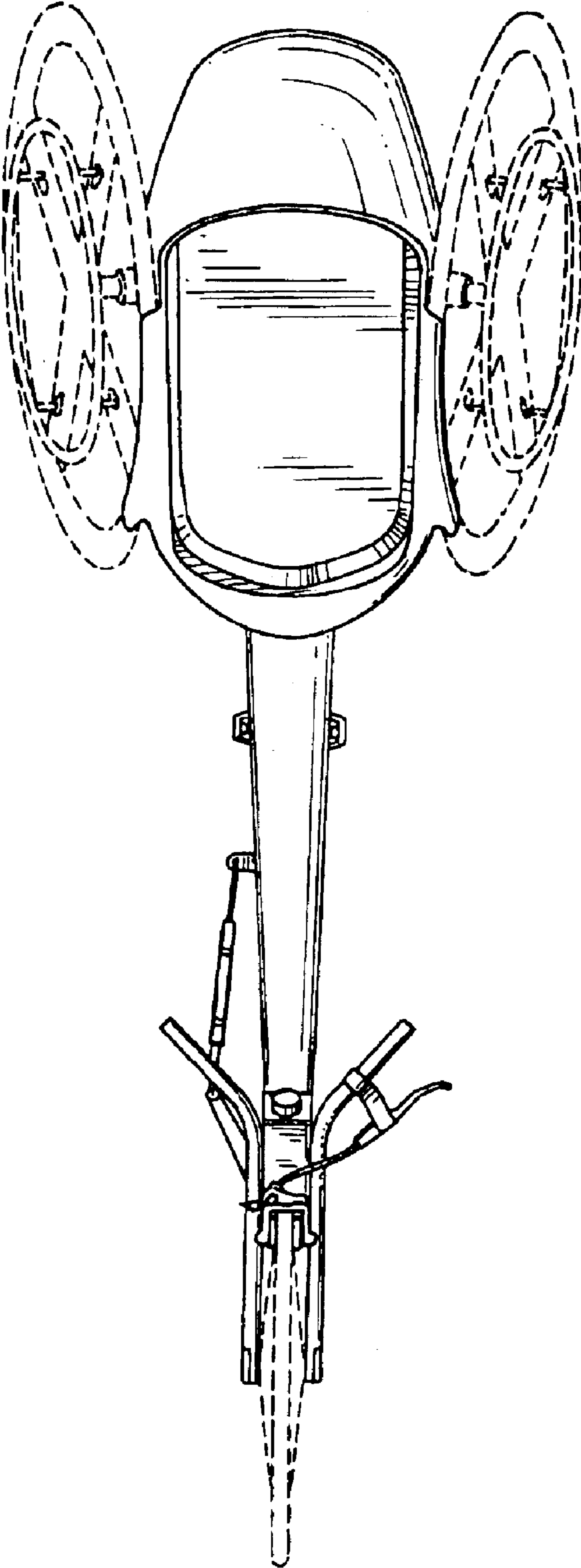


FIG. 4

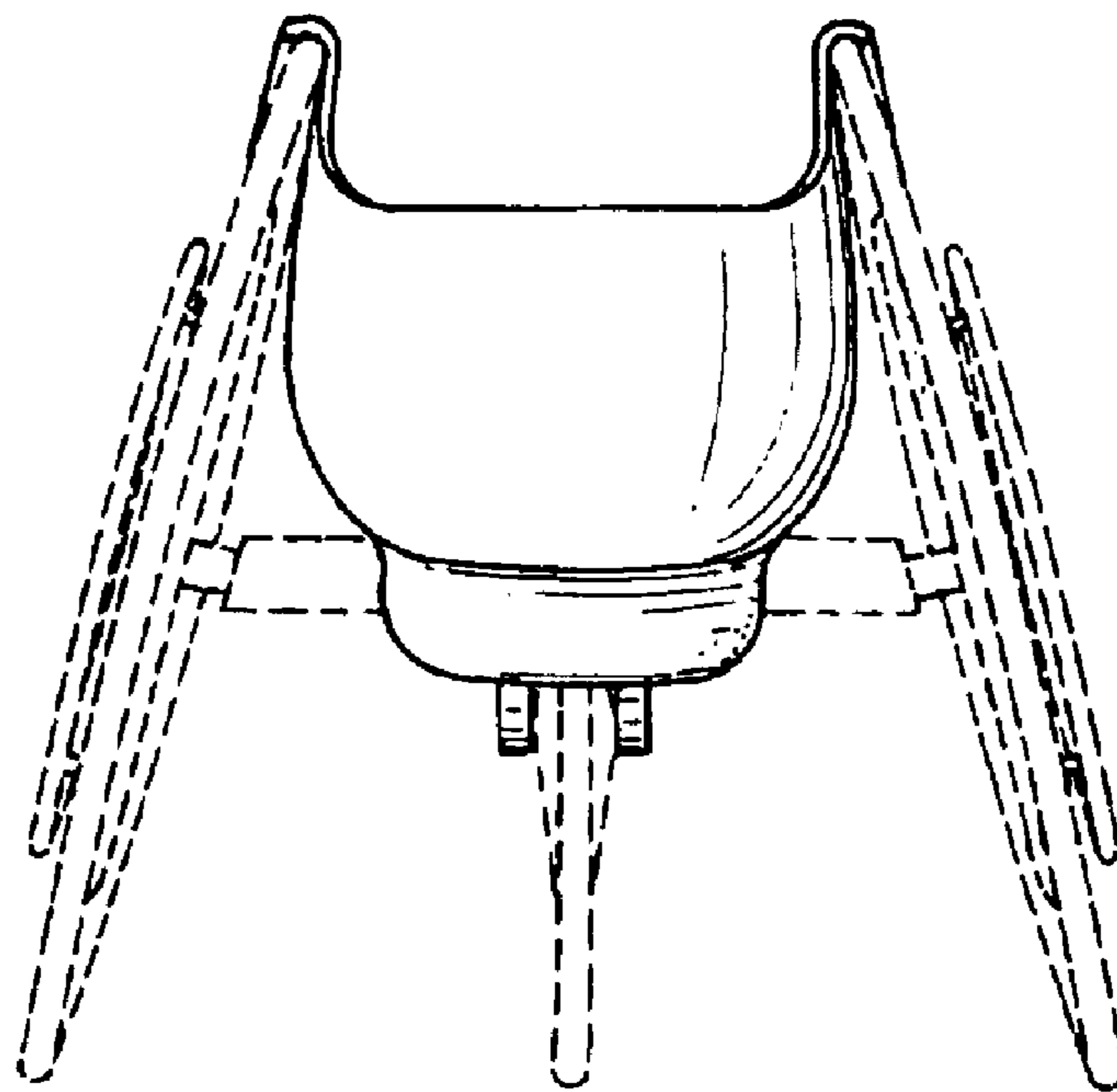


FIG. 5

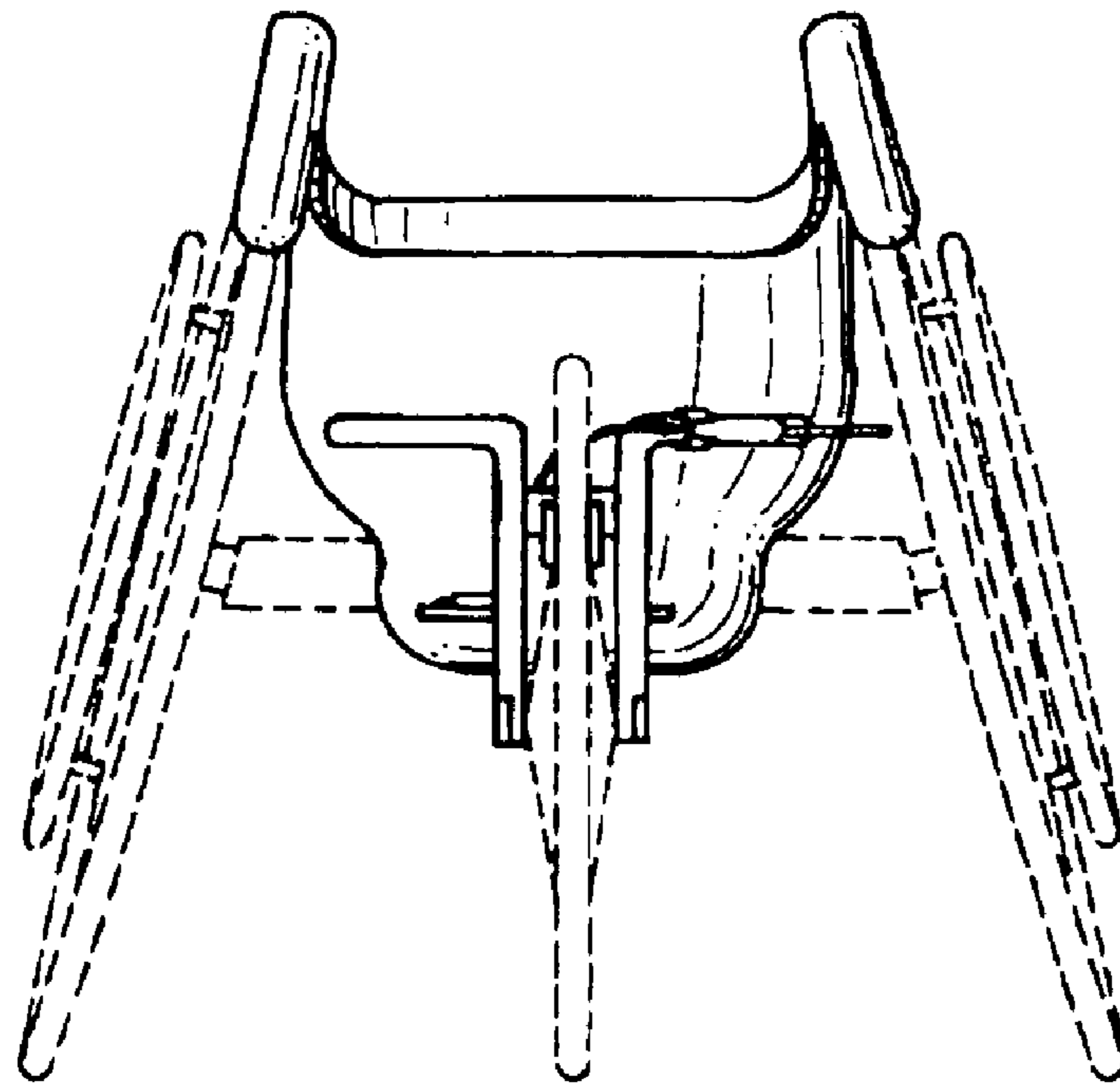


FIG. 6

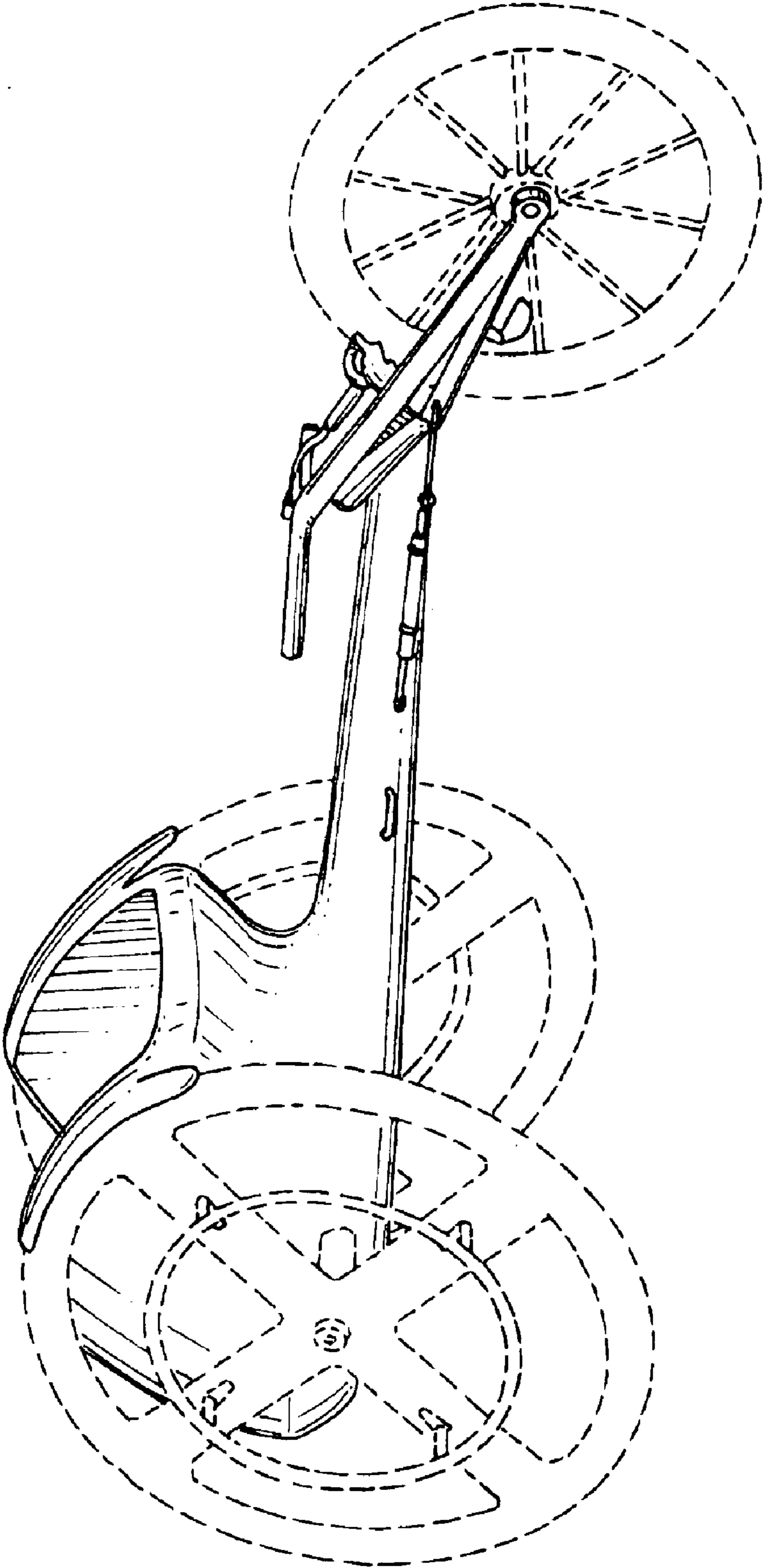


FIG. 7

