

US00D506164S

(12) **United States Design Patent**
Barbosa

(10) **Patent No.:** **US D506,164 S**
(45) **Date of Patent:** **** Jun. 14, 2005**

(54) **BICYCLE FRAME FOR SUPPORTING A RIDER IN PRONE POSITION**

5,732,963 A * 3/1998 White 280/221
5,915,710 A * 6/1999 Miller 280/252
2002/0065173 A1 * 5/2002 Cook 482/69

(76) **Inventor:** **Jose Adnaldo Rinaldi Barbosa,**
142-144 E. Kinney St., Newark, NJ
(US) 07105

* cited by examiner

(**) **Term:** **14 Years**

Primary Examiner—Alan P. Douglas
Assistant Examiner—Linda Brooks
(74) *Attorney, Agent, or Firm*—Norman B. Rainer

(21) **Appl. No.:** **29/206,776**

(57) **CLAIM**

(22) **Filed:** **Jun. 3, 2004**

The ornamental design for a bicycle frame for supporting a rider in prone position, as shown and described.

(51) **LOC (8) Cl.** **12-11**

(52) **U.S. Cl.** **D12/111**

(58) **Field of Search** D12/107, 111;
D21/663-667; D24/188; 280/252-255,
258, 290, 220, 221, 288.1-288.3, 226.1;
482/54, 69

DESCRIPTION

FIG. 1 is a side view of a bicycle frame for supporting a rider in prone position, showing my new design, and showing in phantom outline a rider and wheels, not components of this invention,;

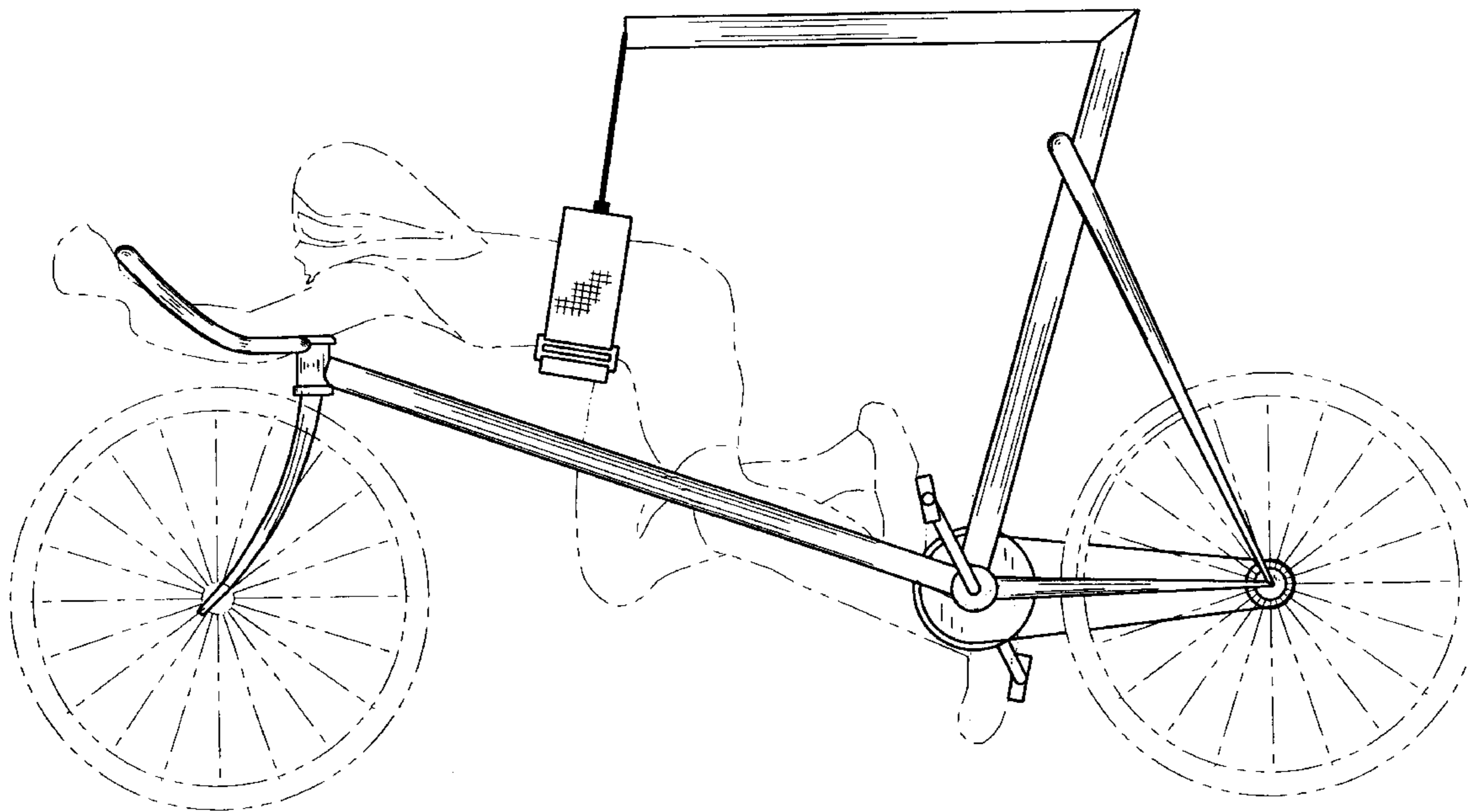
(56) **References Cited**

FIG. 2 is a top view thereof;
FIG. 3 is a front view thereof; and,
FIG. 4 is a rear view thereof.

U.S. PATENT DOCUMENTS

5,607,172 A * 3/1997 Turi 280/290

1 Claim, 3 Drawing Sheets



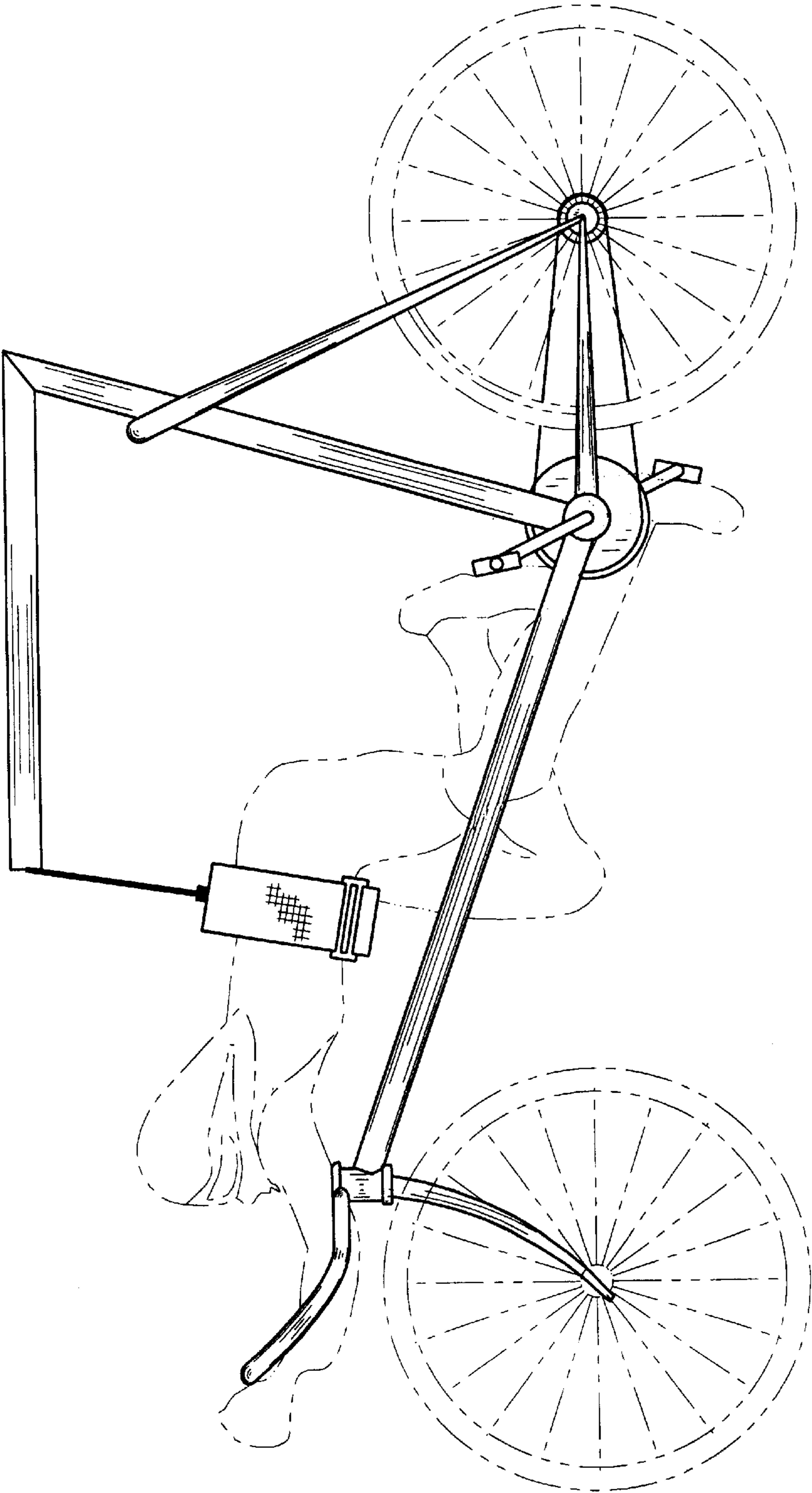


FIG 1

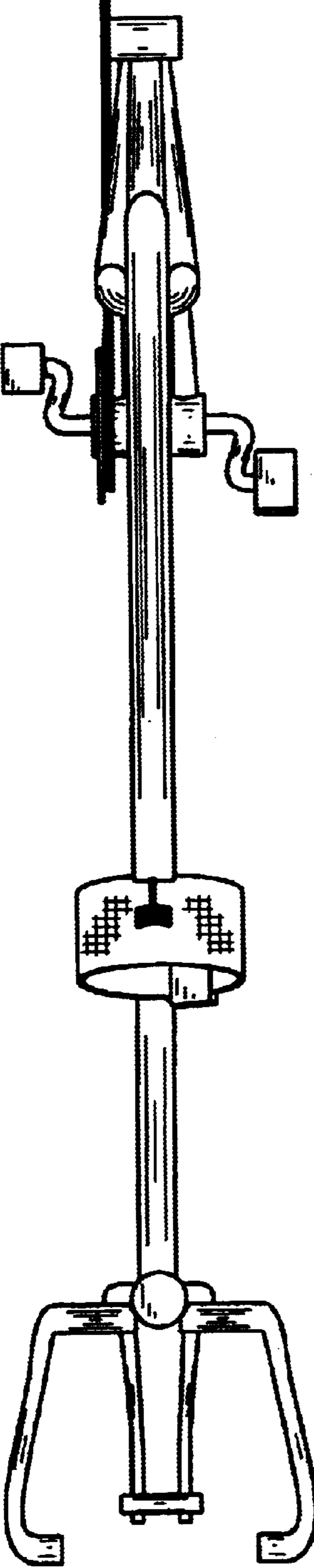


FIG 2

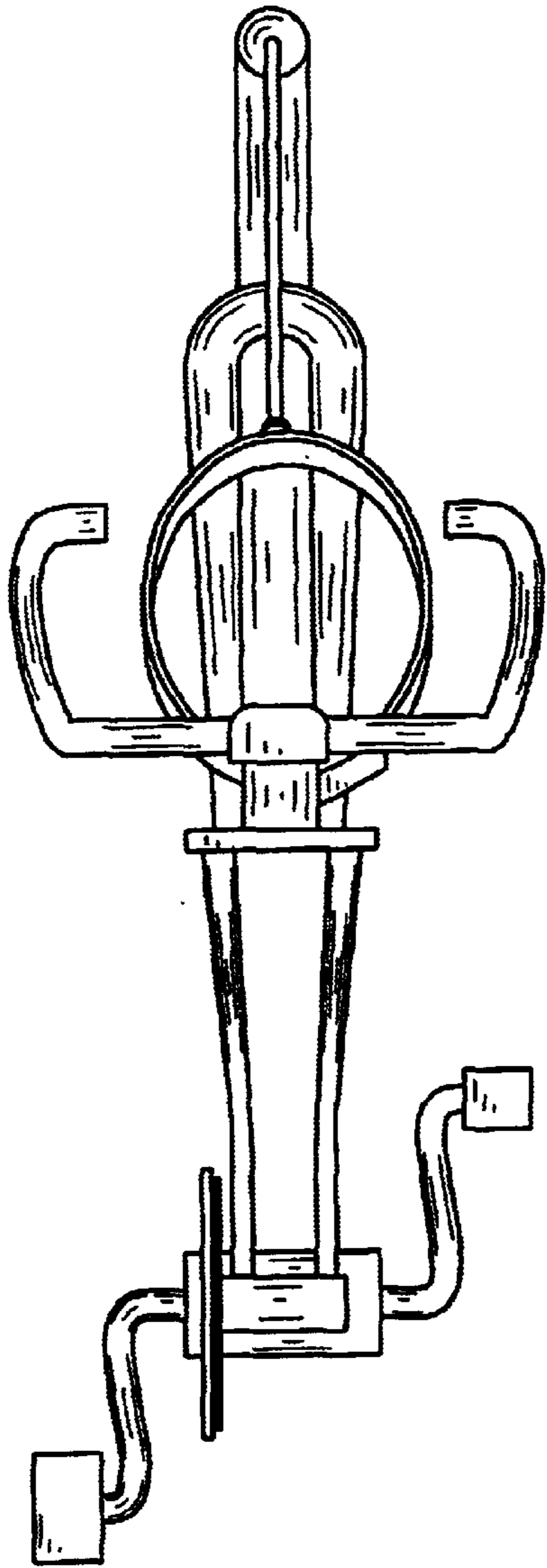


FIG 3

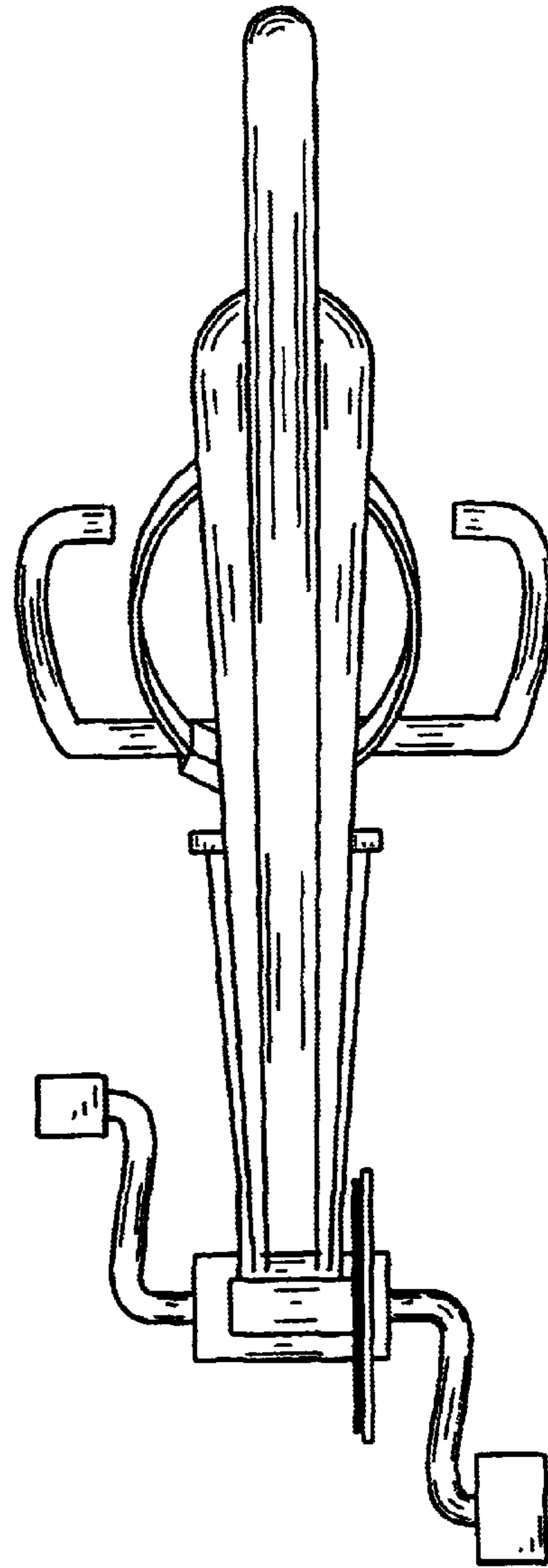


FIG 4