

US00D506160S

(12) **United States Design Patent**
Lambert

(10) **Patent No.:** **US D506,160 S**
(45) **Date of Patent:** **** Jun. 14, 2005**

(54) **MULTI-PLANT HANGER**

(76) **Inventor:** **Patrick L. Lambert**, 3106 Budford Hwy., Suite H, Atlanta, GA (US) 30329

(**) **Term:** **14 Years**

(21) **Appl. No.:** **29/196,277**

(22) **Filed:** **Dec. 24, 2003**

(51) **LOC (8) Cl.** **11-02**

(52) **U.S. Cl.** **D11/148**

(58) **Field of Search** D11/143, 144, D11/148, 152, 153, 164; D7/501; D6/403, 405, 457, 461, 477, 513, 514, 556; 47/39, 44, 47, 65.5, 66.6, 67, 70, 71, 83, 86; 108/92, 94; 211/58, 80, 70, 77, 78, 113, 115, 118, 119, 131.1, 133.1, 181.1; 248/317, 318, 322, 339, 340, 27.8

(56) **References Cited**

U.S. PATENT DOCUMENTS

1,570,651 A	*	1/1926	Topping et al.	108/94
D247,400 S	*	3/1978	Foster	D6/513
4,250,666 A	*	2/1981	Rakestraw	47/83
D275,154 S	*	8/1984	Stoiber	D6/461
4,603,507 A	*	8/1986	Nelson	47/67
5,052,148 A	*	10/1991	Sharon et al.	47/67
D341,276 S	*	11/1993	Jones	D6/457
D348,858 S	*	7/1994	Nuosce	D11/148
5,337,904 A	*	8/1994	Goldberg	211/26.1

D354,862 S	*	1/1995	Goldberg	D6/461
5,450,692 A	*	9/1995	Ruibal	47/83
6,092,333 A	*	7/2000	Steffan	47/83
D463,320 S	*	9/2002	Root	D11/148

* cited by examiner

Primary Examiner—Mimosa De

(74) *Attorney, Agent, or Firm*—Harry I. Leon

(57) **CLAIM**

The ornamental design for the multi-plant hanger, as shown and described.

DESCRIPTION

FIG. 1 is a top perspective view of the multi-plant hanger, the plant pots are shown in dashed lines are for illustrated purposes only and form no part of the present invention; FIG. 2 is a top perspective view of the invention according to FIG. 1;

FIG. 3 is a side elevational view thereof;

FIG. 4 is an enlarged top plan view thereof;

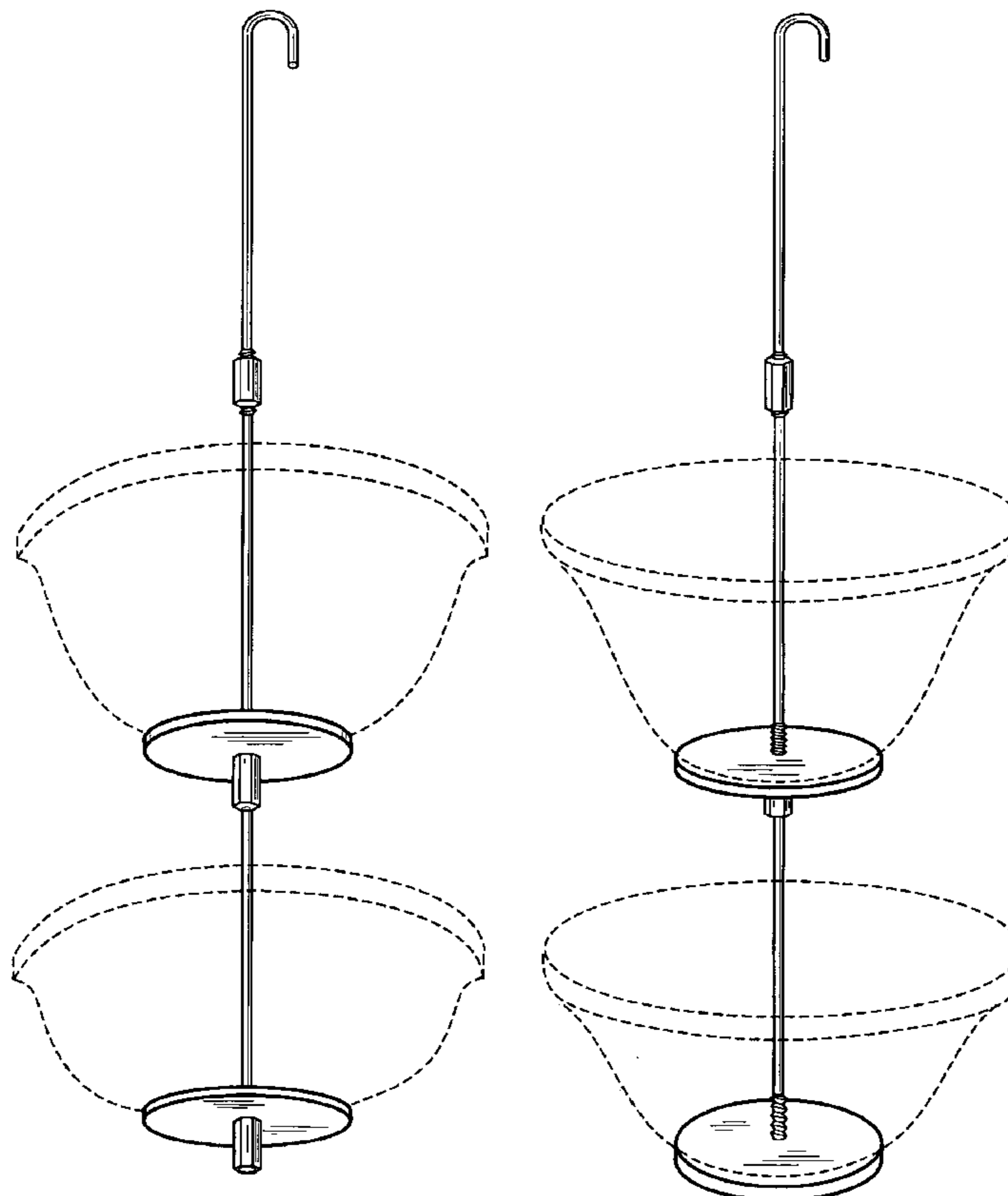
FIG. 5 is an enlarged bottom plan view thereof;

FIG. 6 is a slightly reduced bottom exploded perspective view of the multi-plant holder according to FIG. 1;

FIG. 7 is an enlarged view of the area circled and labeled as 7 in FIG. 3; and,

FIG. 8 is a cross-sectional view taken along line 8—8 of FIG. 7.

1 Claim, 5 Drawing Sheets



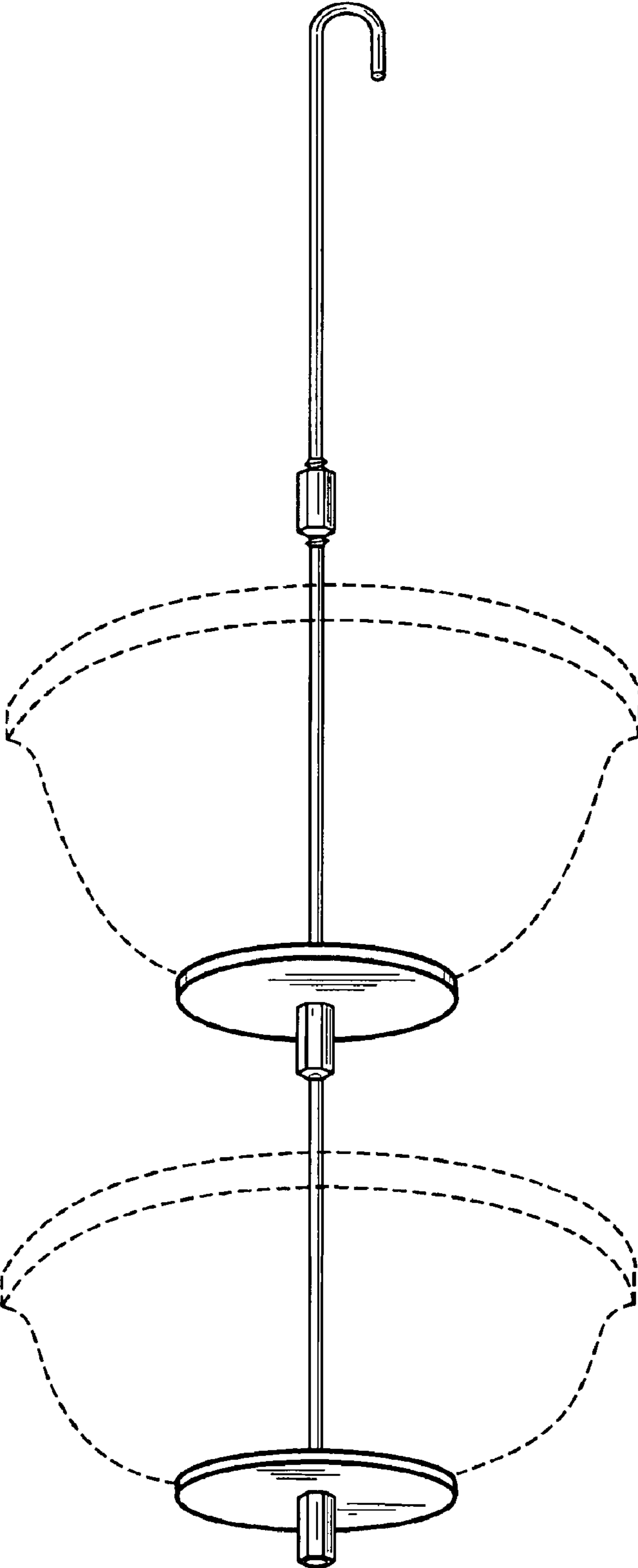


Fig. 1

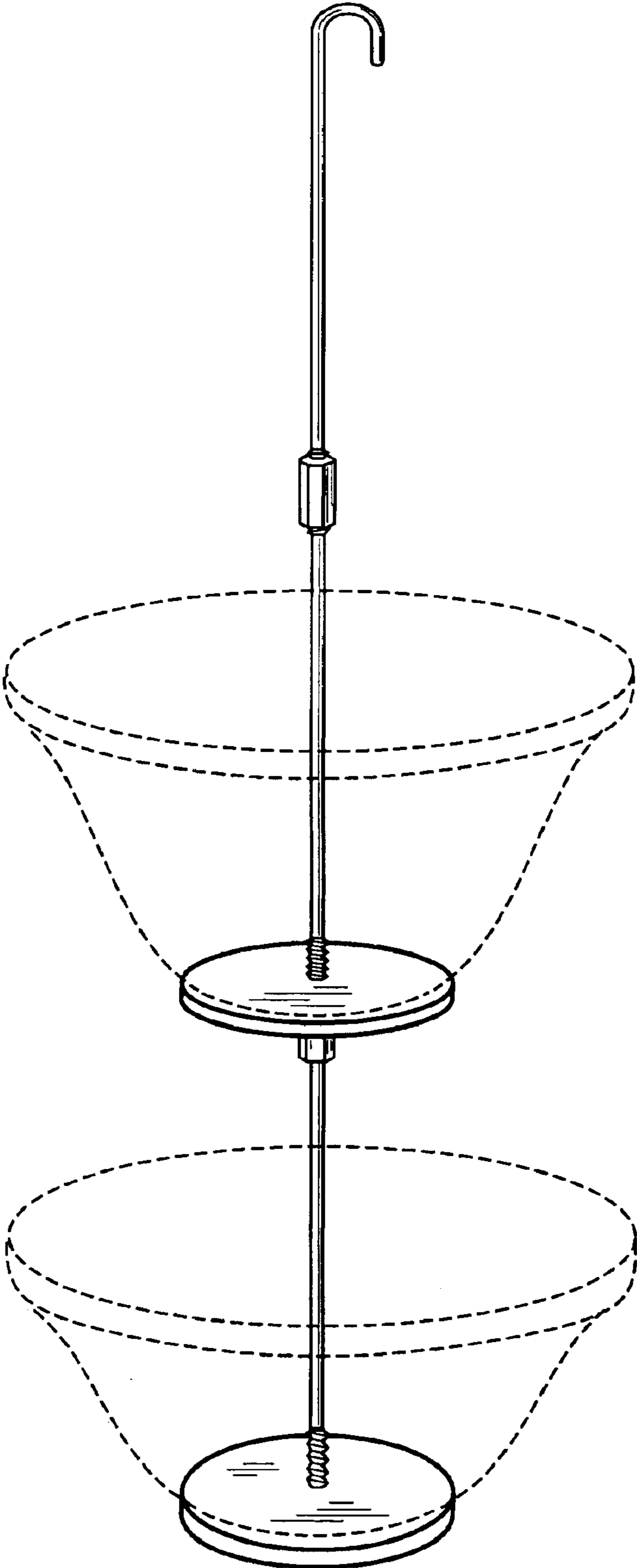


Fig. 2

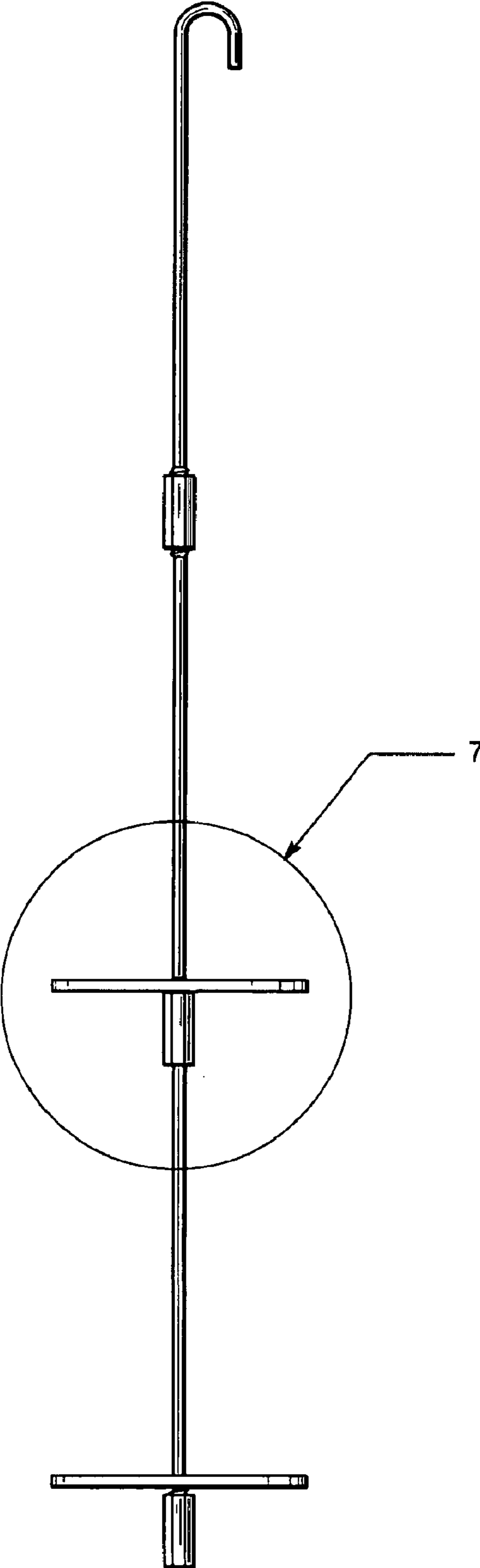


Fig. 3

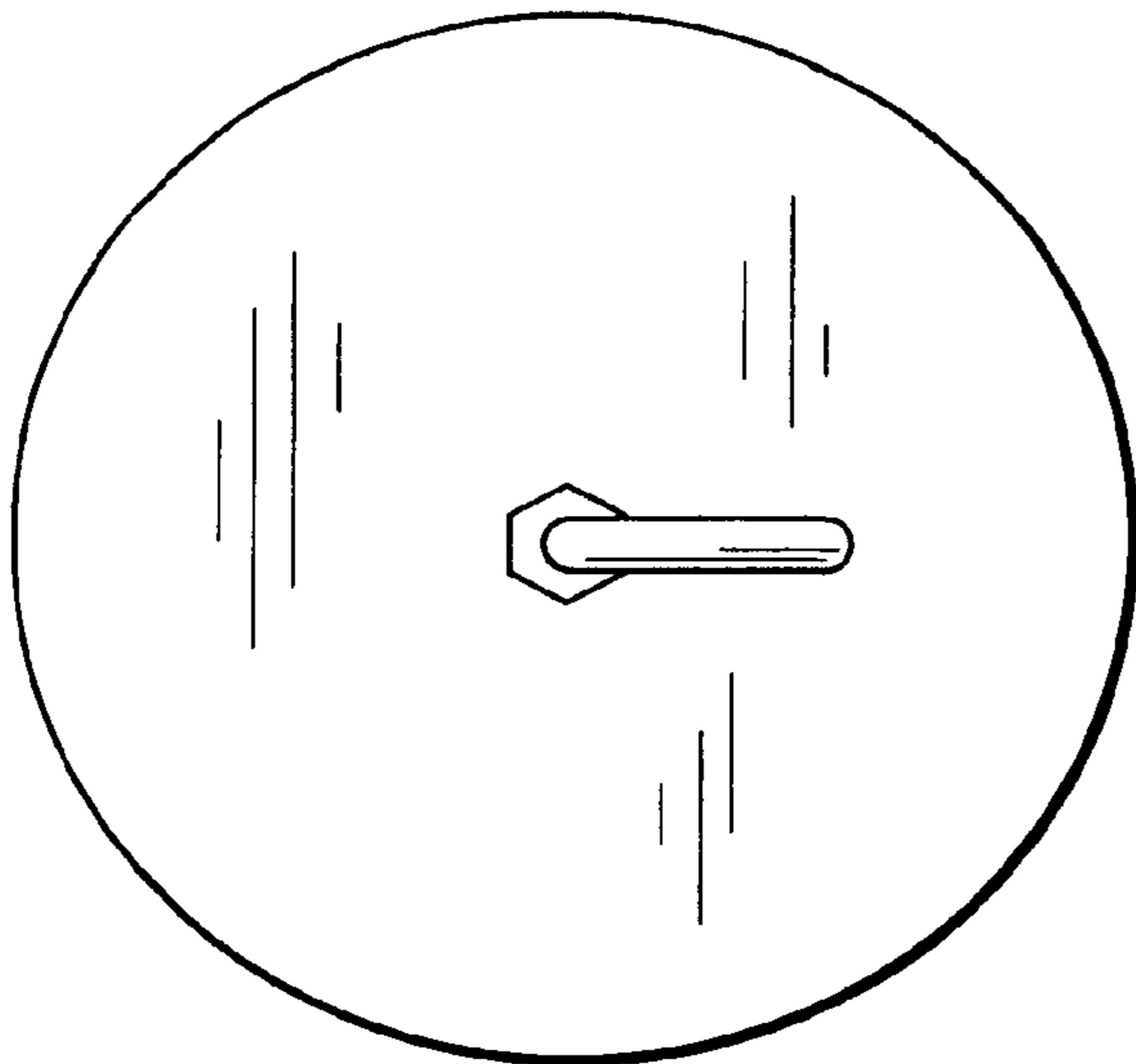


Fig. 4

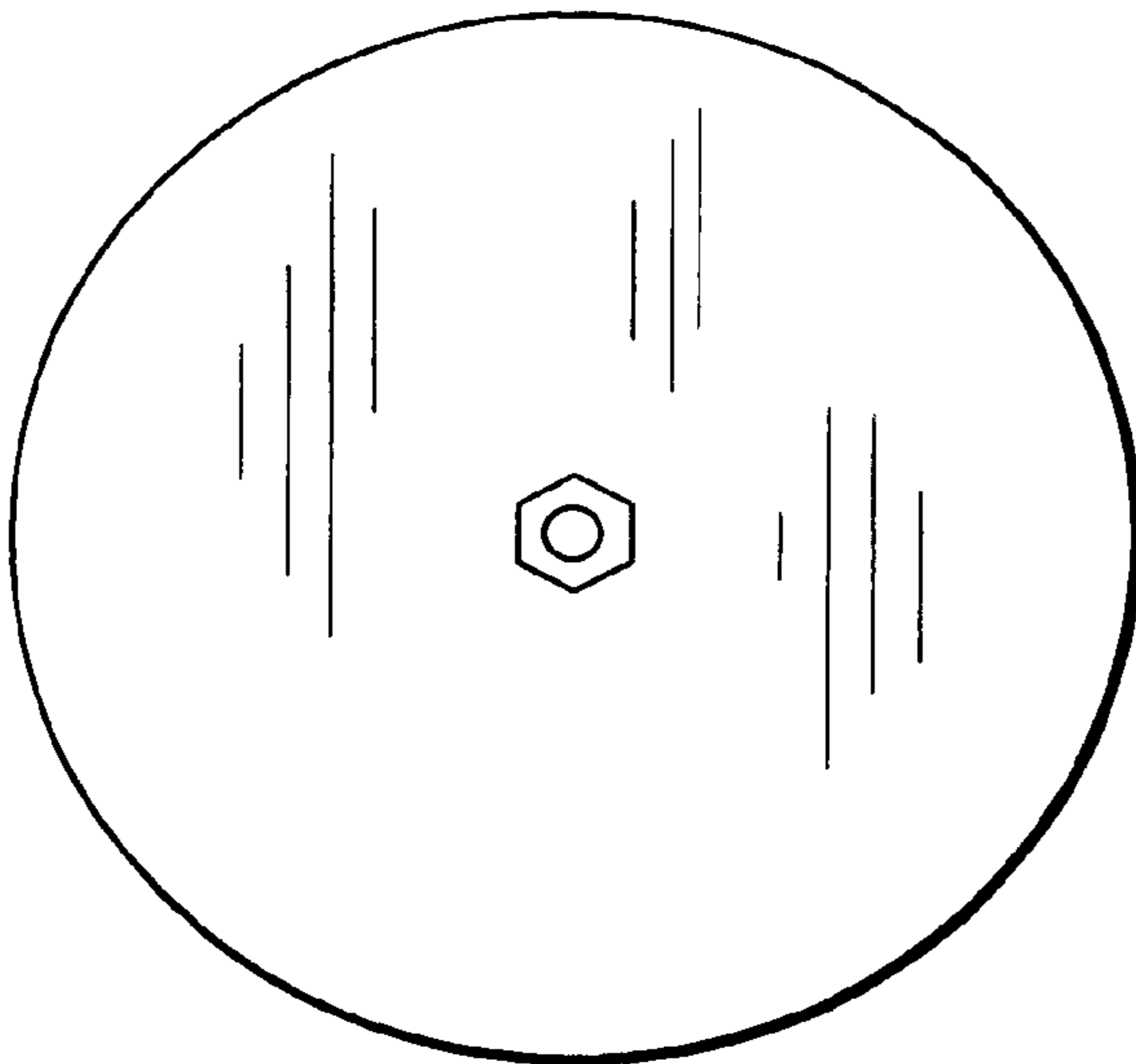


Fig. 5

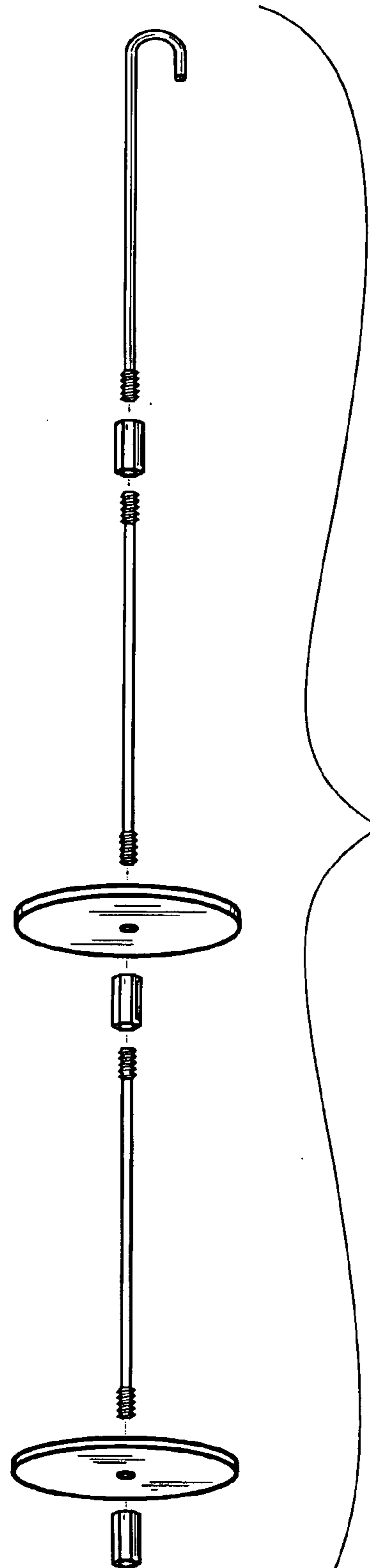


Fig. 6

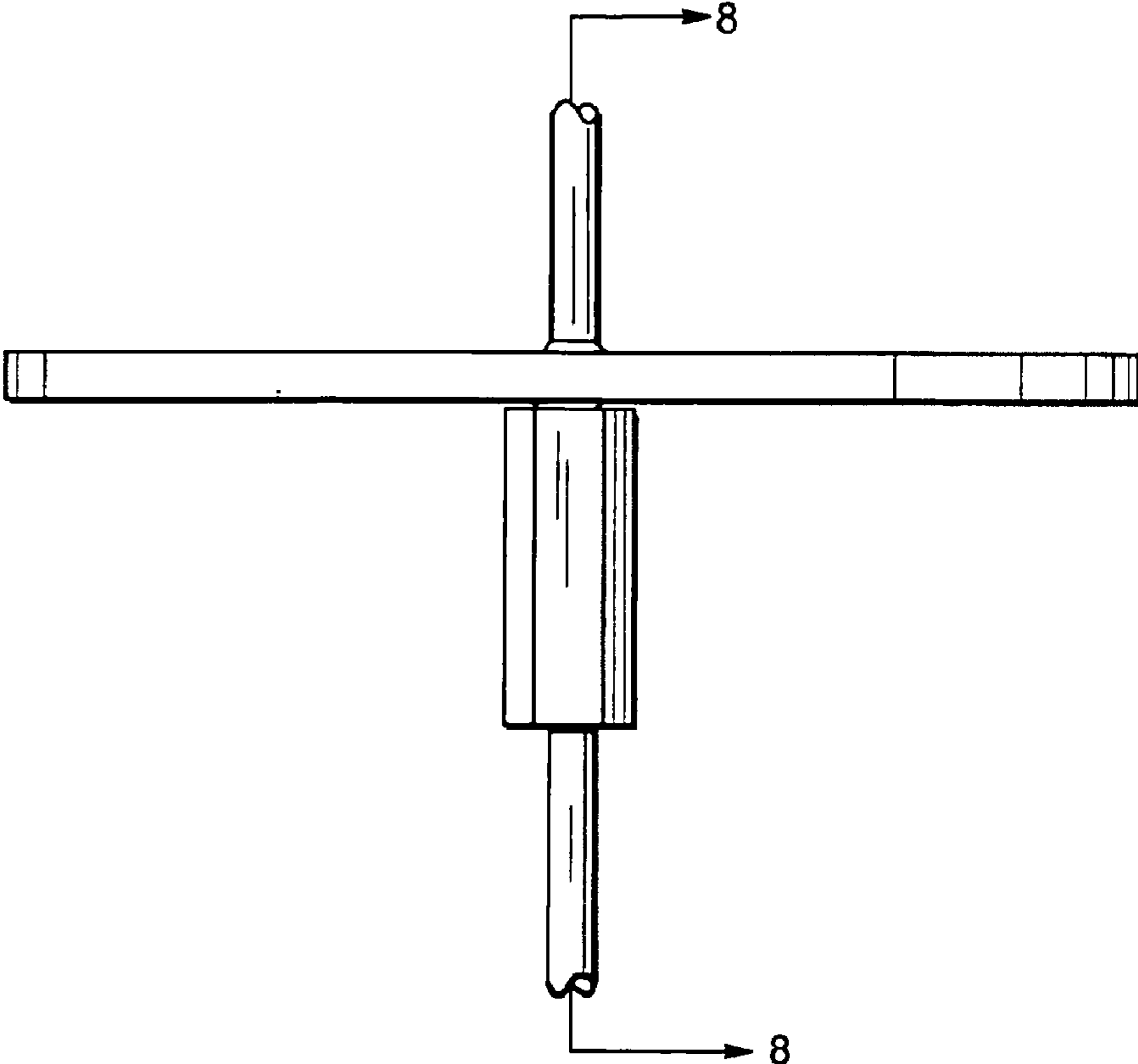


Fig. 7

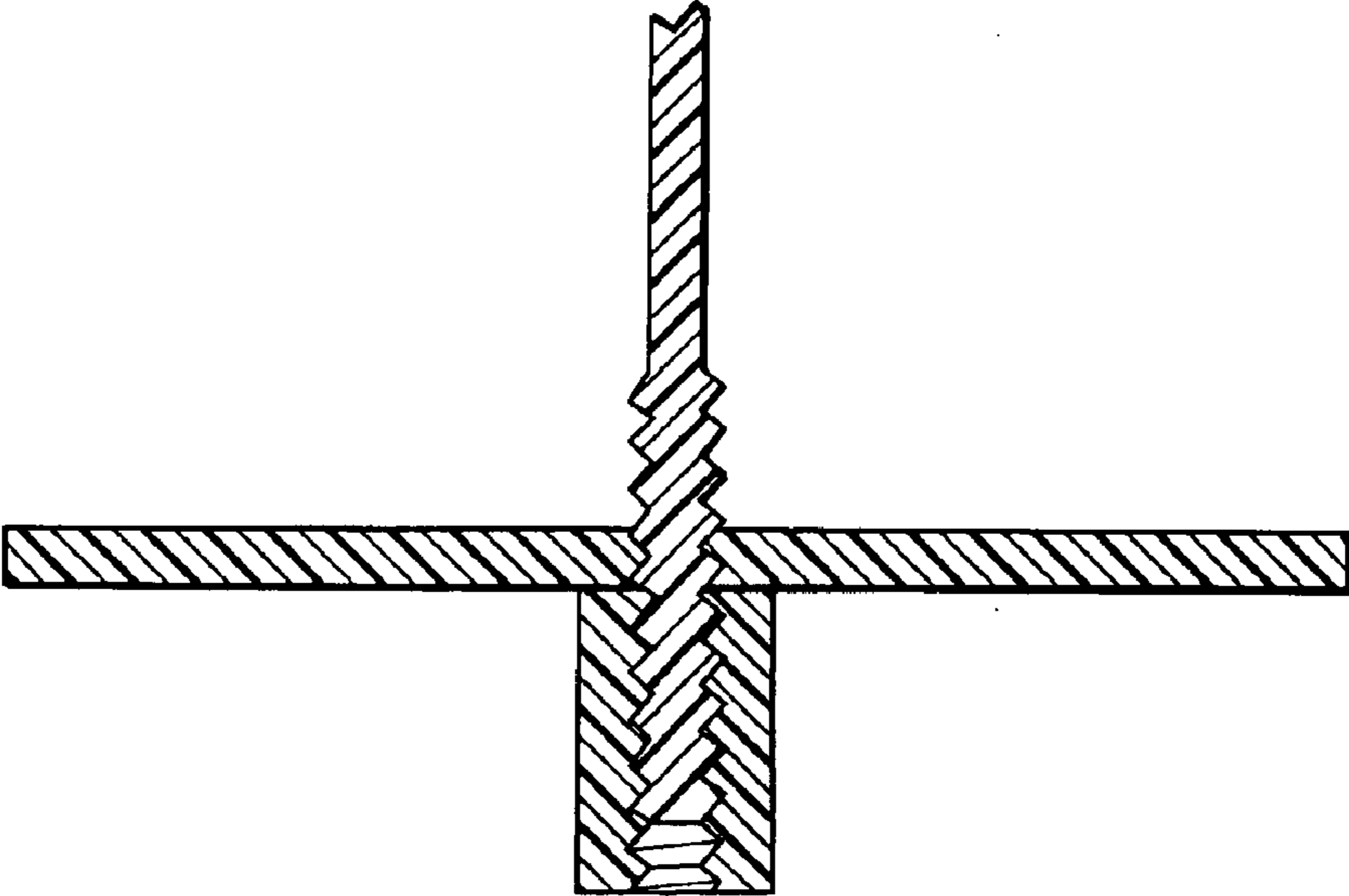


Fig. 8