



US00D506157S

(12) **United States Design Patent**  
**Hardy**

(10) **Patent No.:** **US D506,157 S**  
(45) **Date of Patent:** **\*\* Jun. 14, 2005**

(54) **RING**

(75) **Inventor:** **Théodora Hardy, Paris (FR)**

(73) **Assignee:** **Cartier International B.V., Amsterdam (NL)**

(\*\*) **Term:** **14 Years**

(21) **Appl. No.:** **29/189,703**

(22) **Filed:** **Sep. 10, 2003**

(30) **Foreign Application Priority Data**

Mar. 20, 2003 (WO) ..... DM/063200

(51) **LOC (8) Cl.** ..... **11-01**

(52) **U.S. Cl.** ..... **D11/26; D11/35**

(58) **Field of Search** ..... **D11/26-39, 3-4, D11/89-92; 63/5.7-15.8, 15.9, 26, 27-28, 3; 606/204**

(56) **References Cited**

**U.S. PATENT DOCUMENTS**

- D61,921 S \* 2/1923 Peters ..... D11/35
- 2,060,345 A \* 11/1936 Phillips ..... 63/3
- D271,187 S \* 11/1983 Bulgari ..... D11/3
- D290,938 S \* 7/1987 Bulgari ..... D11/3
- D291,422 S \* 8/1987 Bulgari ..... D11/3
- D392,585 S \* 3/1998 Kohl ..... D11/26

- D431,792 S \* 10/2000 Ferreira ..... D11/26
- 6,532,765 B1 \* 3/2003 Hurwitz ..... 63/26
- D473,155 S \* 4/2003 Bonnet ..... D11/26
- D473,811 S \* 4/2003 Valentini et al. .... D11/34

**OTHER PUBLICATIONS**

The New York Times newspaper, Section A, p. 2; Apr. 27, 1997 Van Cleef & Arpels advertisement for wedding band; (1 page).\*

Gold and Fine Stones Rings specification page; (2 pages).\*

Post cards of an assortment of rings; (1 page).\*

\* cited by examiner

*Primary Examiner*—Cathy Anne MacCormac  
(74) *Attorney, Agent, or Firm*—Oliff & Berridge, PLC

(57) **CLAIM**

The ornamental design for a ring, as shown and described.

**DESCRIPTION**

FIG. 1 is a perspective view of a ring;  
FIG. 2 is a top view thereof;  
FIG. 3 is a bottom view thereof;  
FIG. 4 is a front view thereof, the rear view being identical;  
and,  
FIG. 5 is a side view thereof, the opposite side view being identical.

**1 Claim, 1 Drawing Sheet**

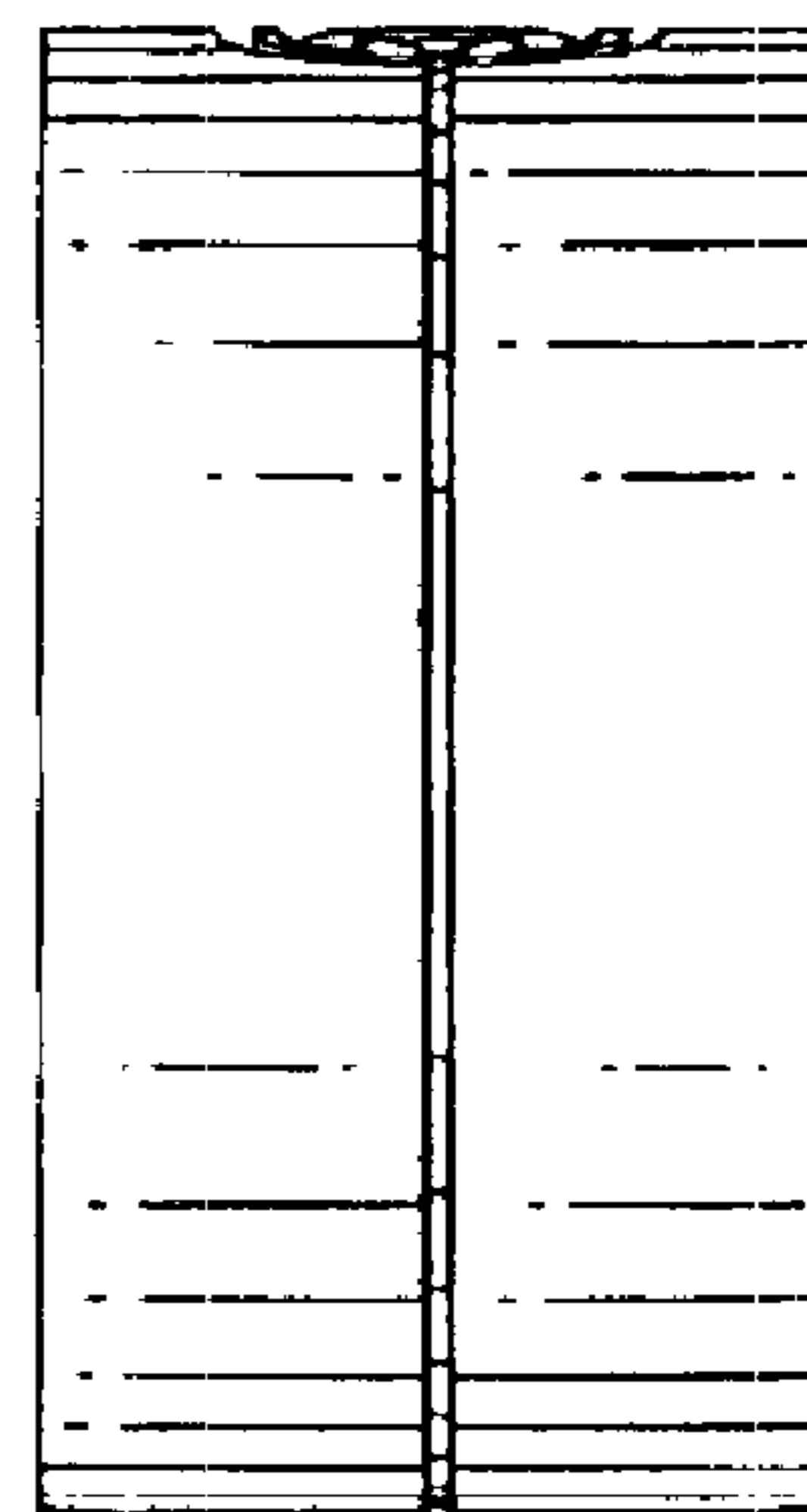
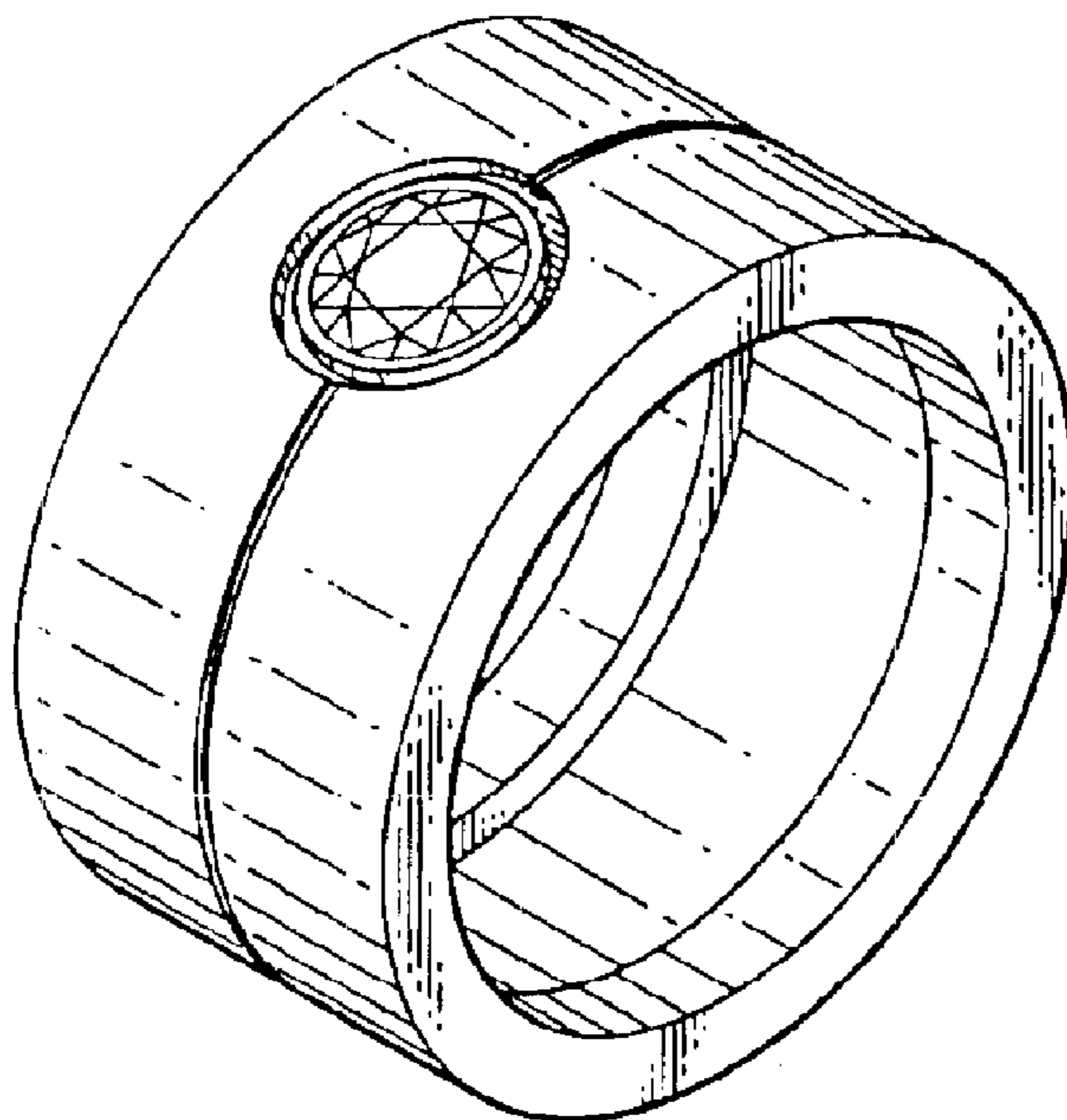


Fig. 1

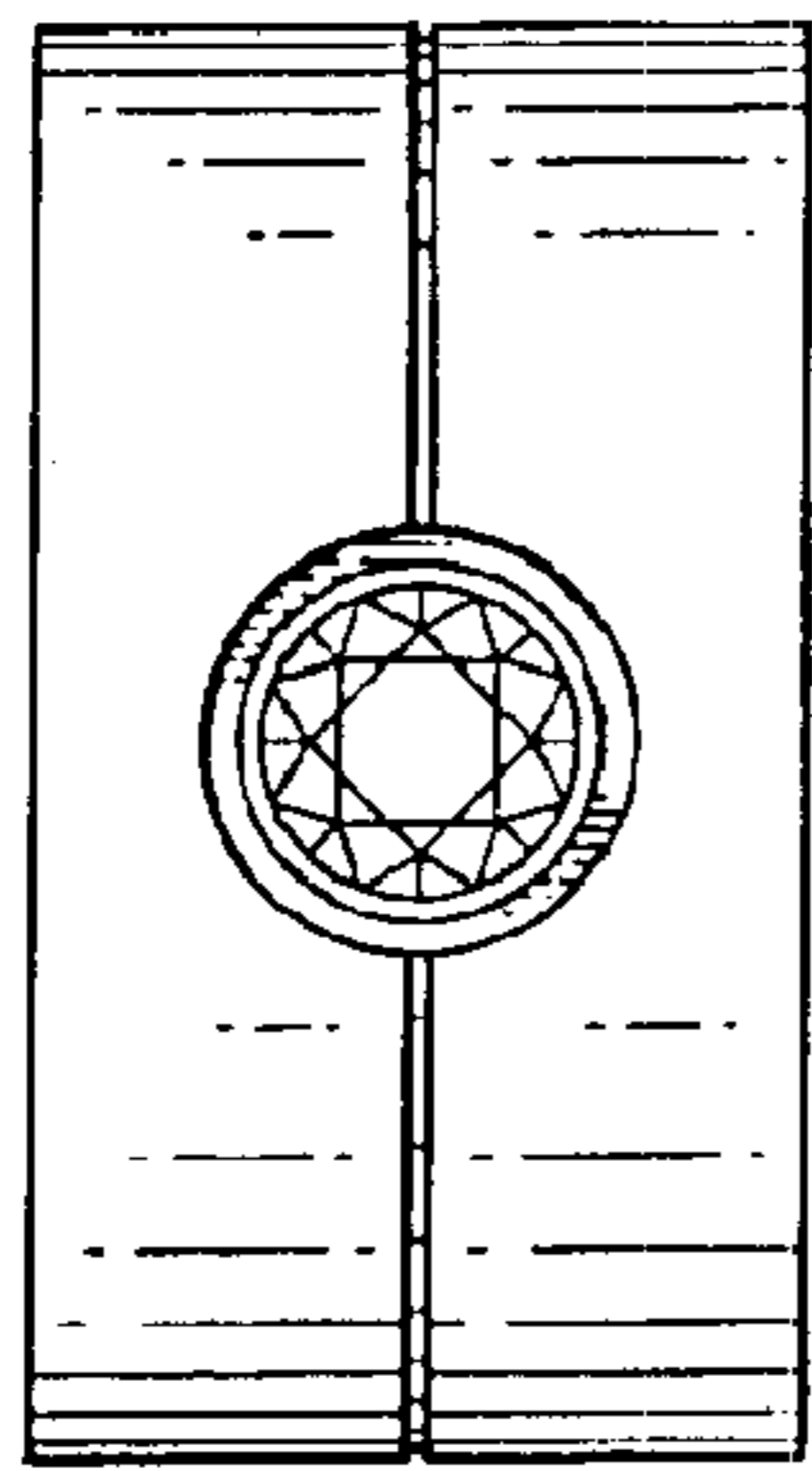
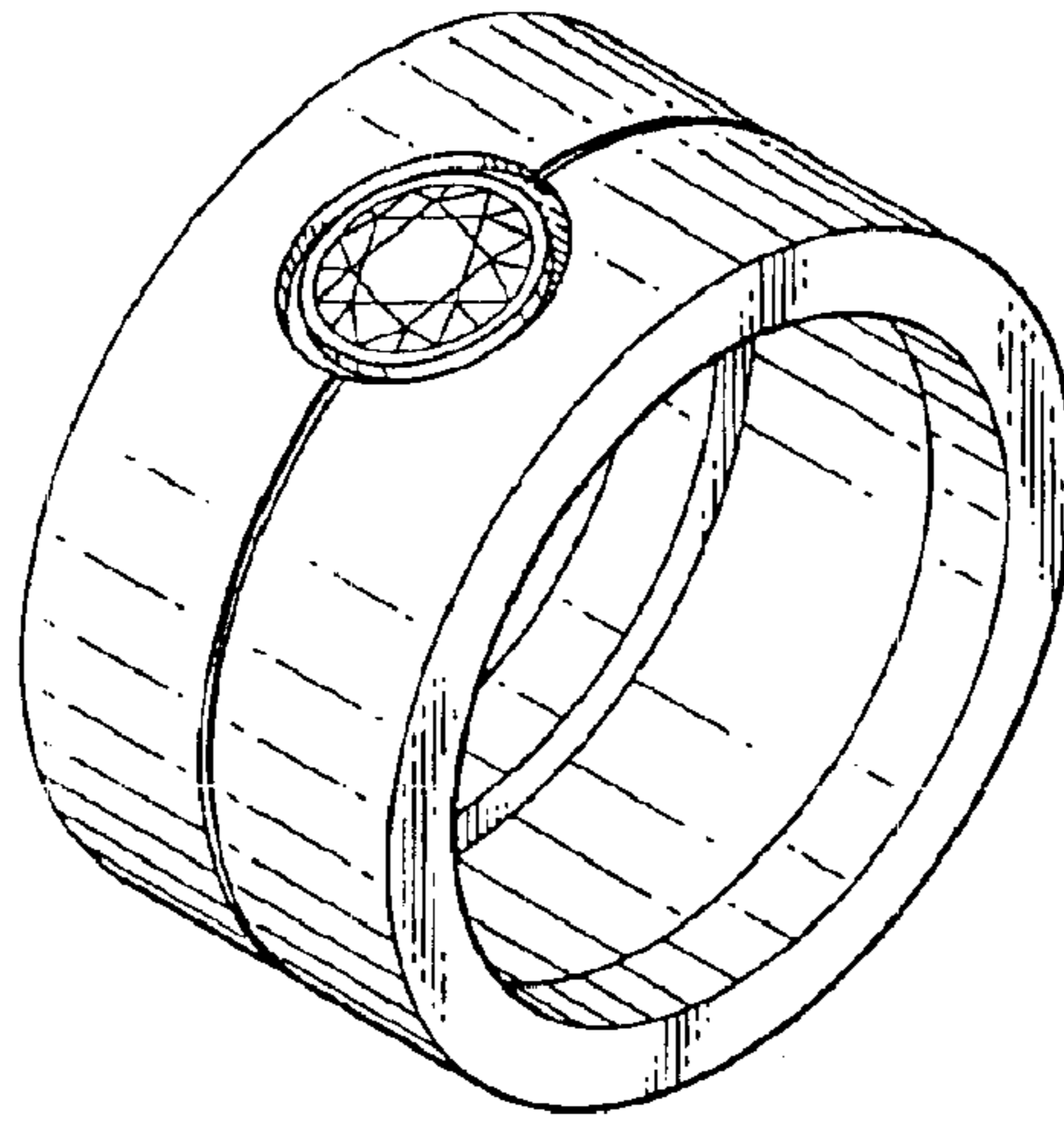


Fig. 2

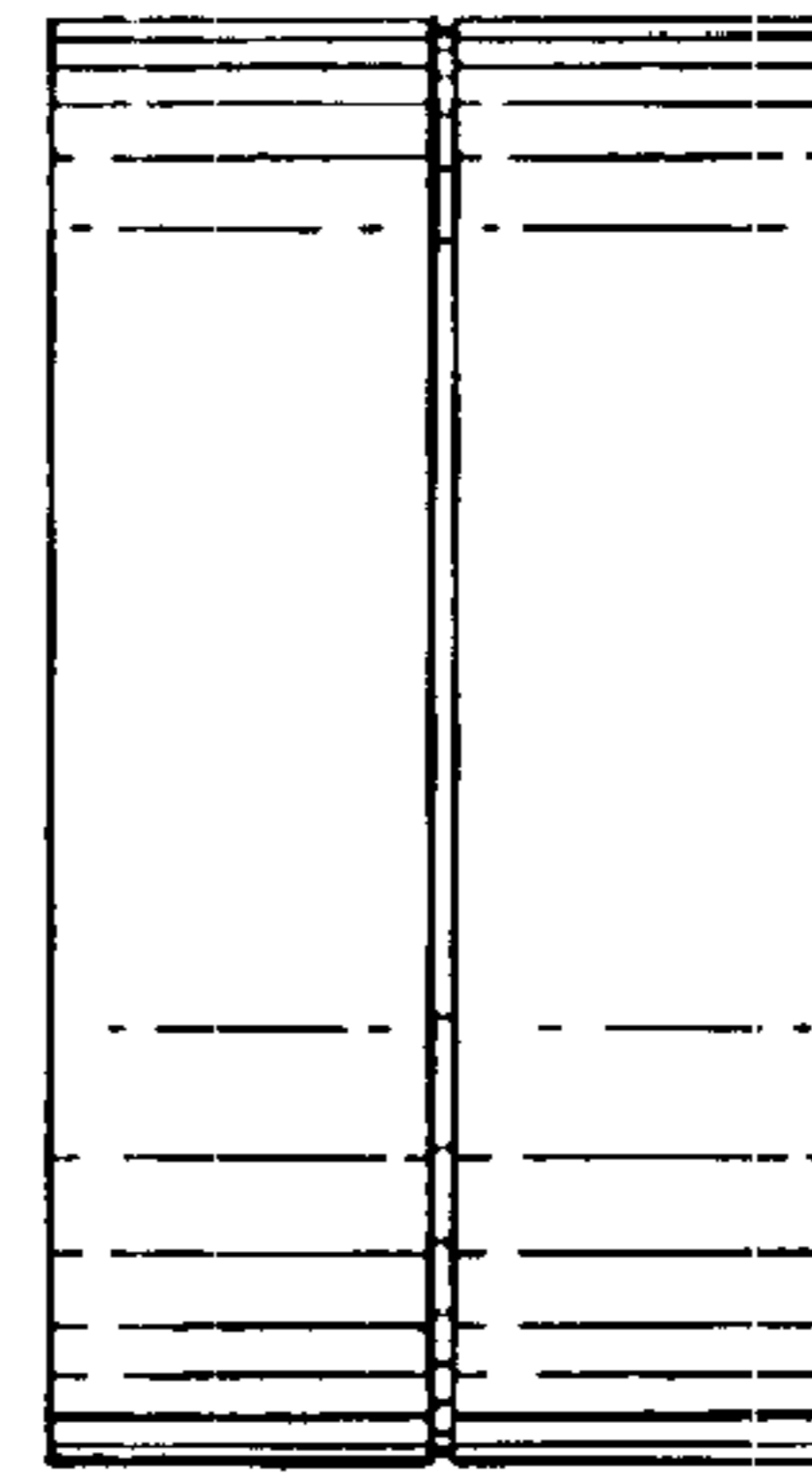


Fig. 3

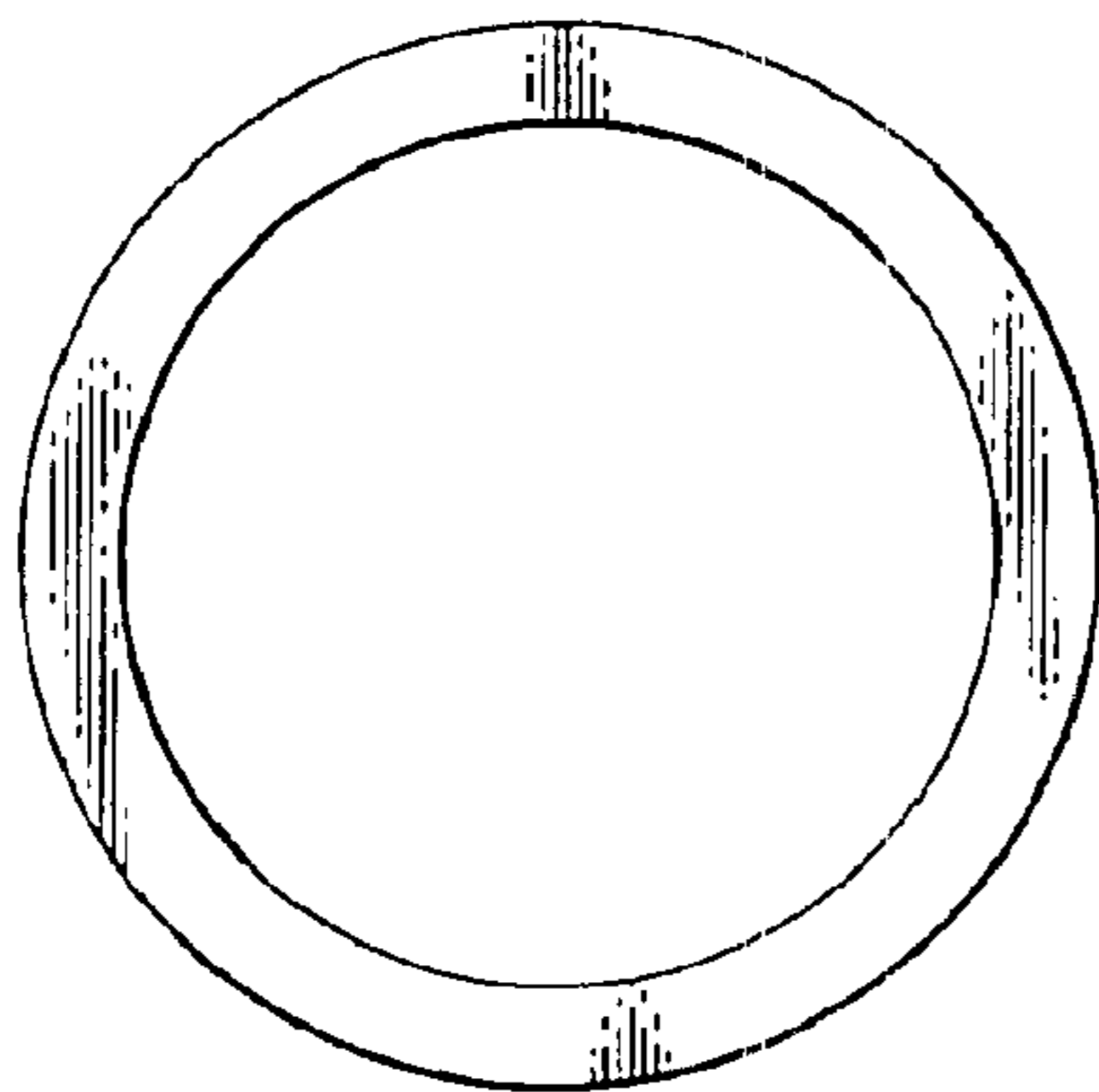


Fig. 4

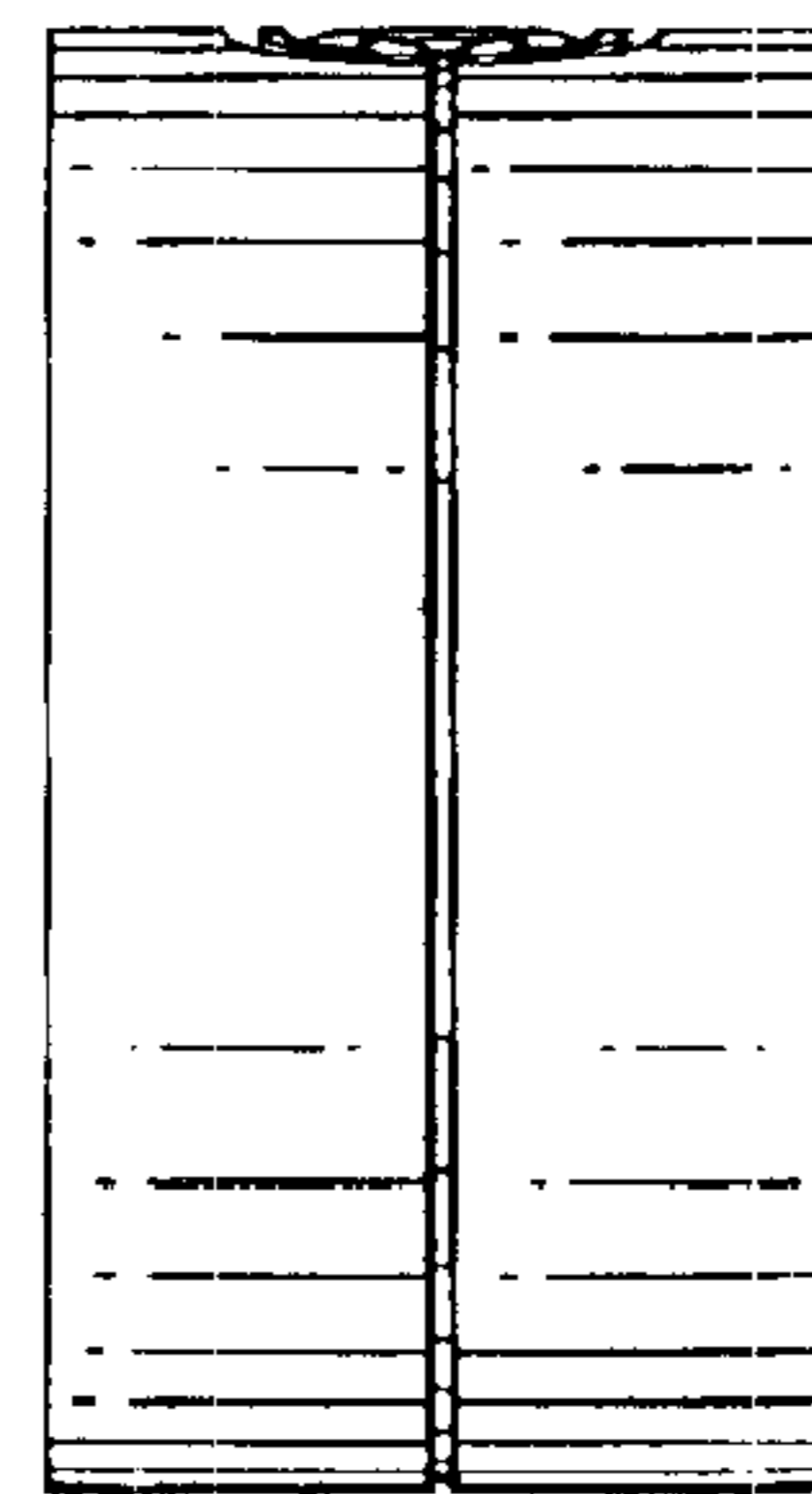


Fig. 5