

US00D506154S

(12) **United States Design Patent**
Cowan et al.

(10) **Patent No.:** **US D506,154 S**
(45) **Date of Patent:** **** Jun. 14, 2005**

(54) **HAND HELD PRESSURE GAUGE**

6,385,554 B1 * 5/2002 Wu 702/140

(75) Inventors: **David M. Cowan**, Brooklyn, NY (US);
Jochen Schäpers, New York, NY (US)

* cited by examiner

(73) Assignee: **Interdynamics**, Tarrytown, NY (US)

Primary Examiner—Lucy Lieberman

(**) Term: **14 Years**

(74) *Attorney, Agent, or Firm*—Levisohn, Berger & Langsam, LLP

(21) Appl. No.: **29/191,531**

(57) **CLAIM**

(22) Filed: **Oct. 8, 2003**

The ornamental design for a hand held pressure gauge, as shown and described.

Related U.S. Application Data

DESCRIPTION

(63) Continuation-in-part of application No. 10/644,699, filed on Aug. 19, 2003.

FIG. 1 is a front and right side perspective view of the hand held pressure gauge according to the invention.

(51) **LOC (8) Cl.** **10-04**

FIG. 2 is a front elevation view of the hand held pressure gauge according to the invention.

(52) **U.S. Cl.** **D10/86**

FIG. 3 is a left side elevation view of the hand held pressure gauge according to the invention.

(58) **Field of Search** D10/86, 85; 73/732, 73/744, 742, 717, 741, 146.3, 146.8; 116/34 R, 272; 702/140

FIG. 4 is a right side elevation view of the hand held pressure gauge according to the invention.

FIG. 5 is a rear elevation view of the hand held pressure gauge according to the invention.

(56) **References Cited**

FIG. 6 is a top plan view of the hand held pressure gauge according to the invention; and,

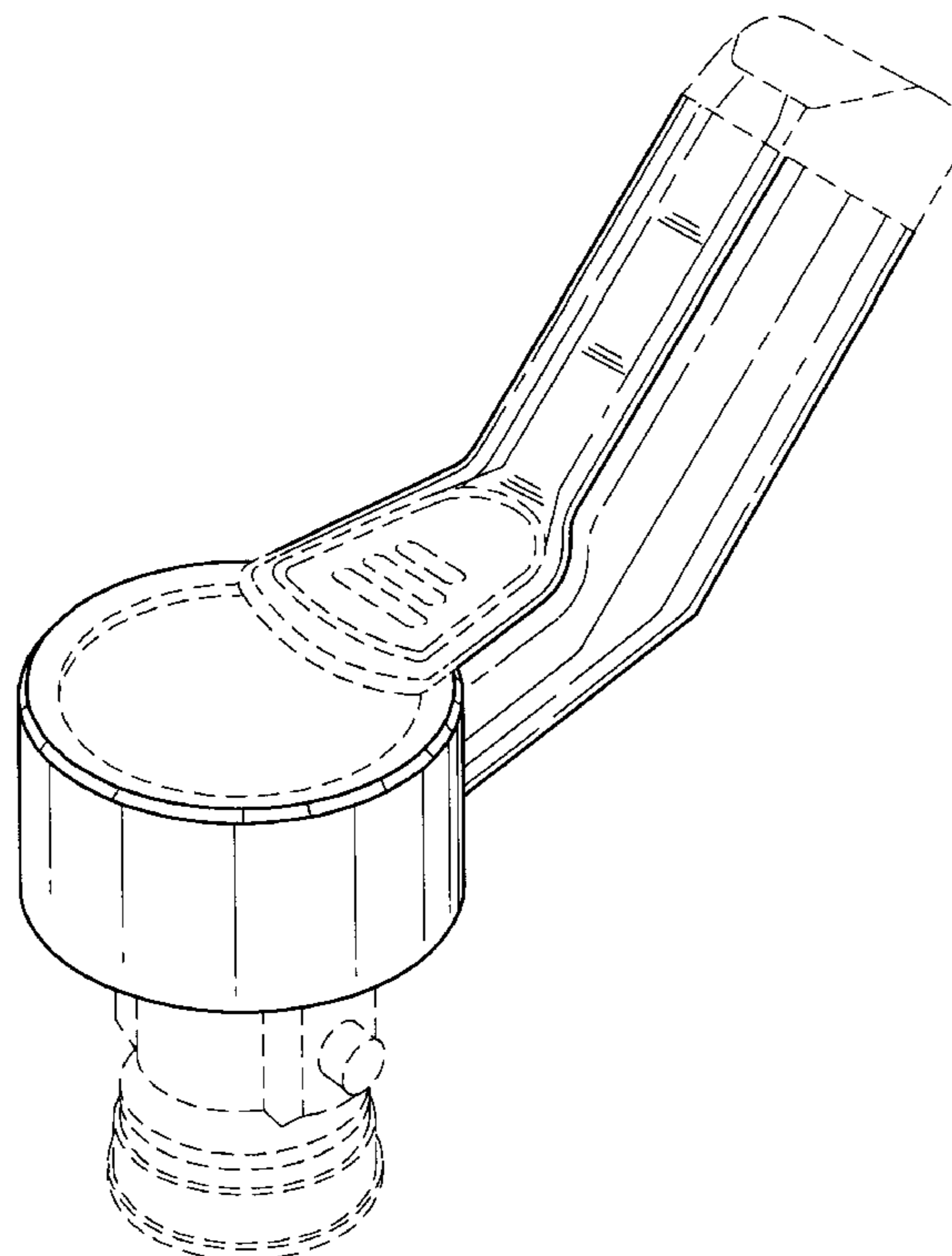
U.S. PATENT DOCUMENTS

FIG. 7 is a bottom plan view of the hand held pressure gauge according to the invention.

1,334,874 A *	3/1920	Bruninga et al.	73/744
1,668,753 A *	5/1928	Baker	137/225
D154,135 S *	6/1949	Moffett	D10/86
D192,939 S *	5/1962	Blowers	D10/85
4,552,153 A *	11/1985	Newman et al.	600/490
D317,414 S *	6/1991	Lanci et al.	D10/57
5,033,296 A *	7/1991	Huang	73/146.8

The broken lines showing portions of the hand held pressure gauge are for illustrative purposes only and do not form part of the claimed design.

1 Claim, 7 Drawing Sheets



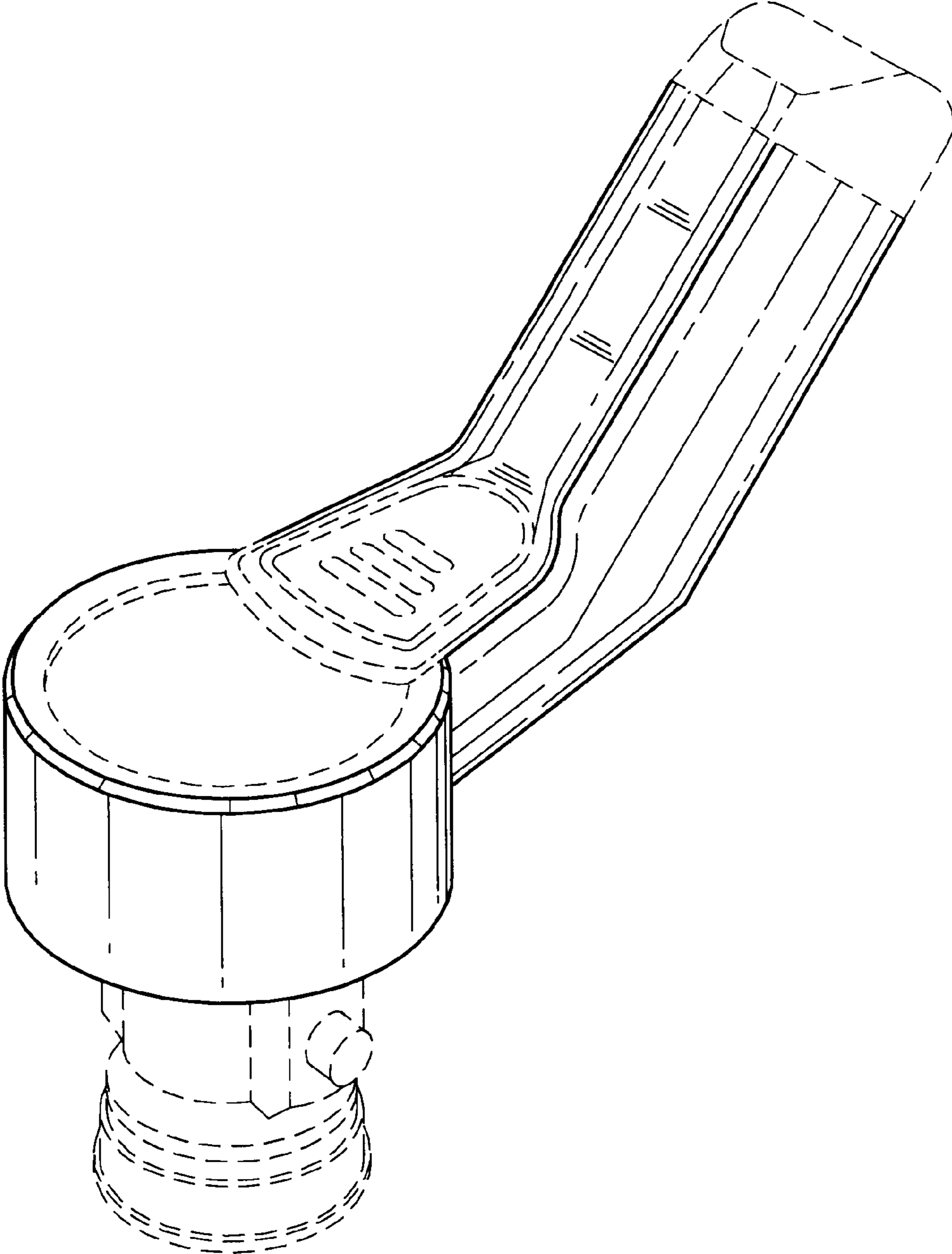


FIG. 1

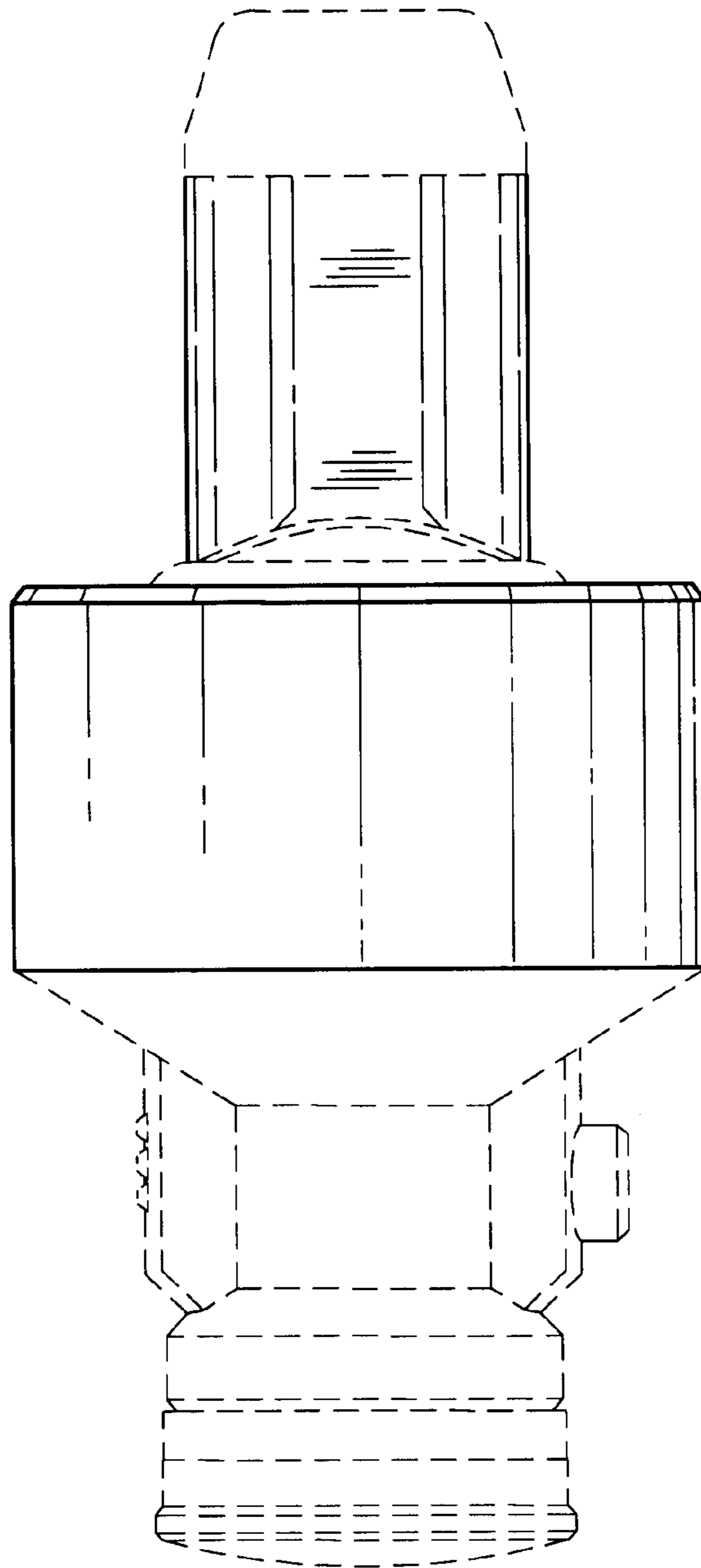


FIG. 2

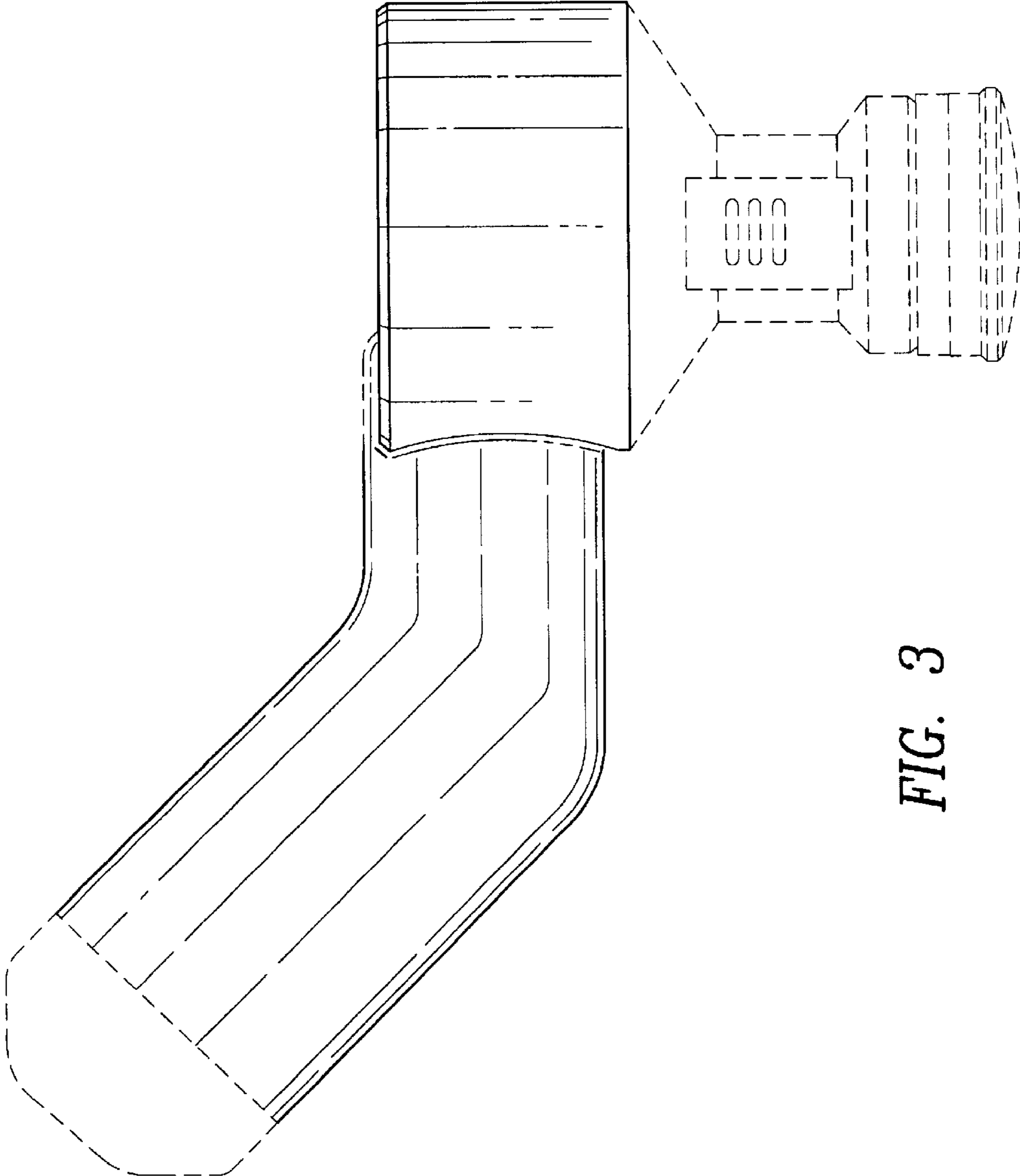


FIG. 3

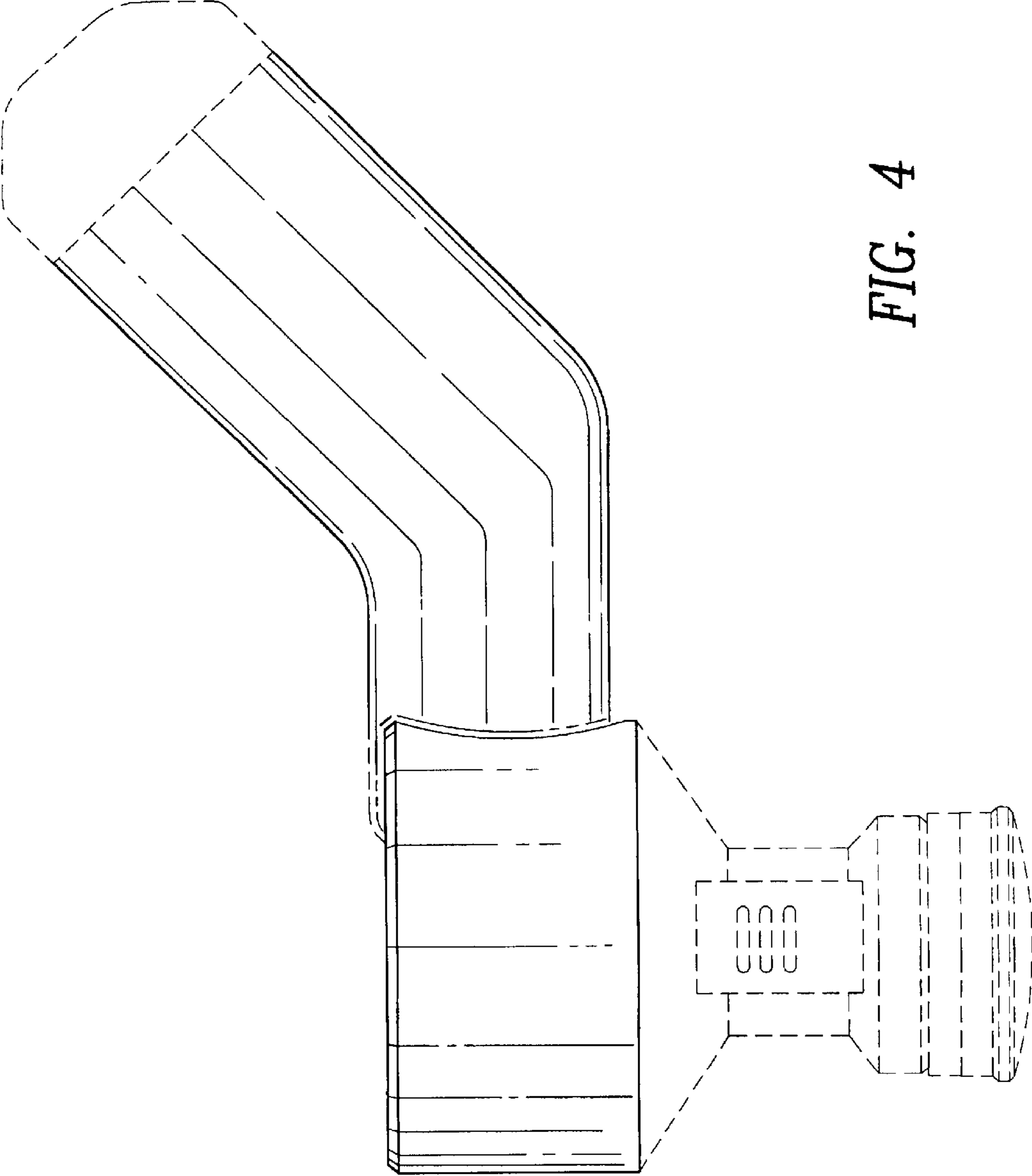


FIG. 4

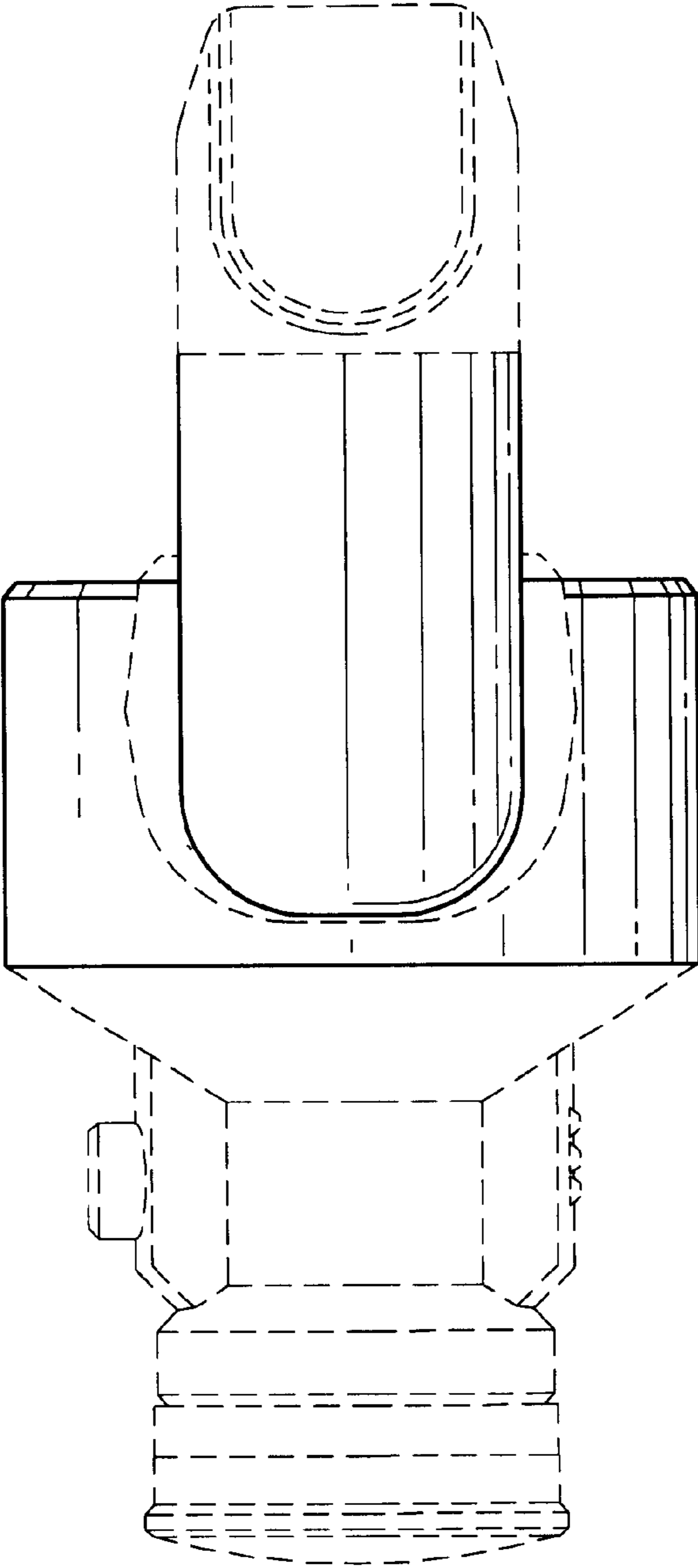


FIG. 5

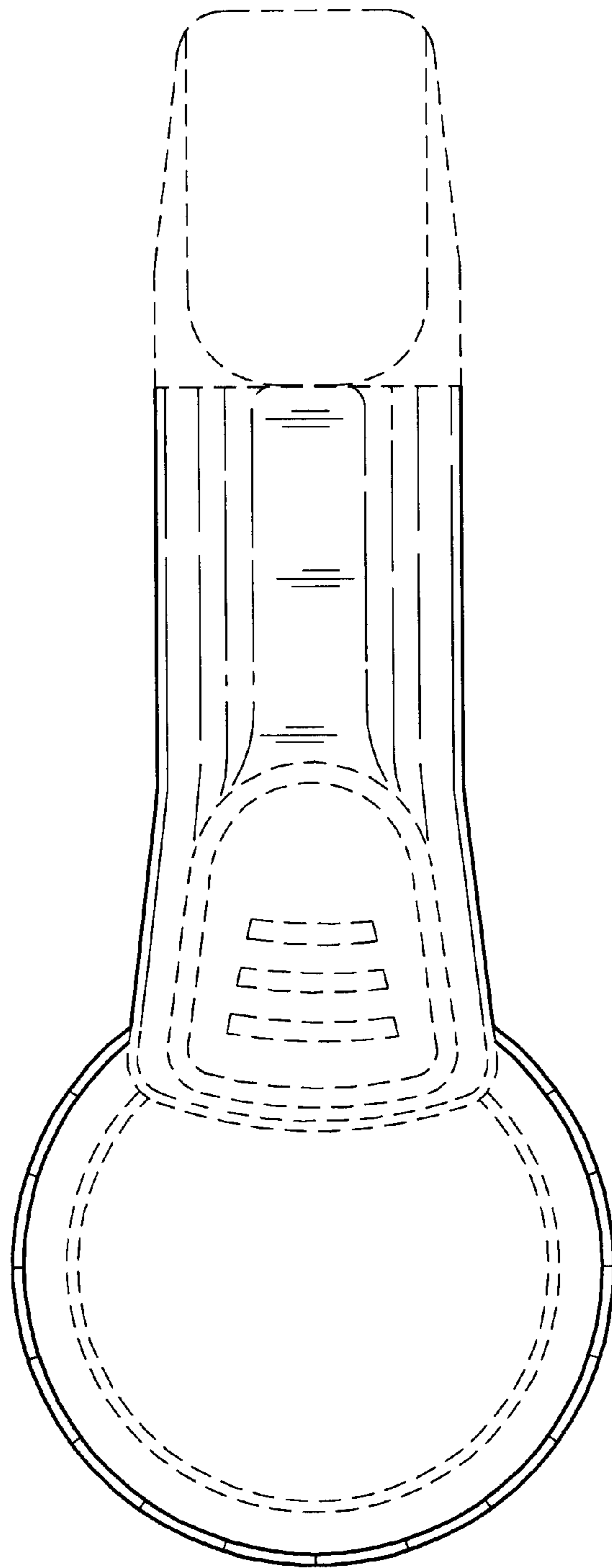


FIG. 6

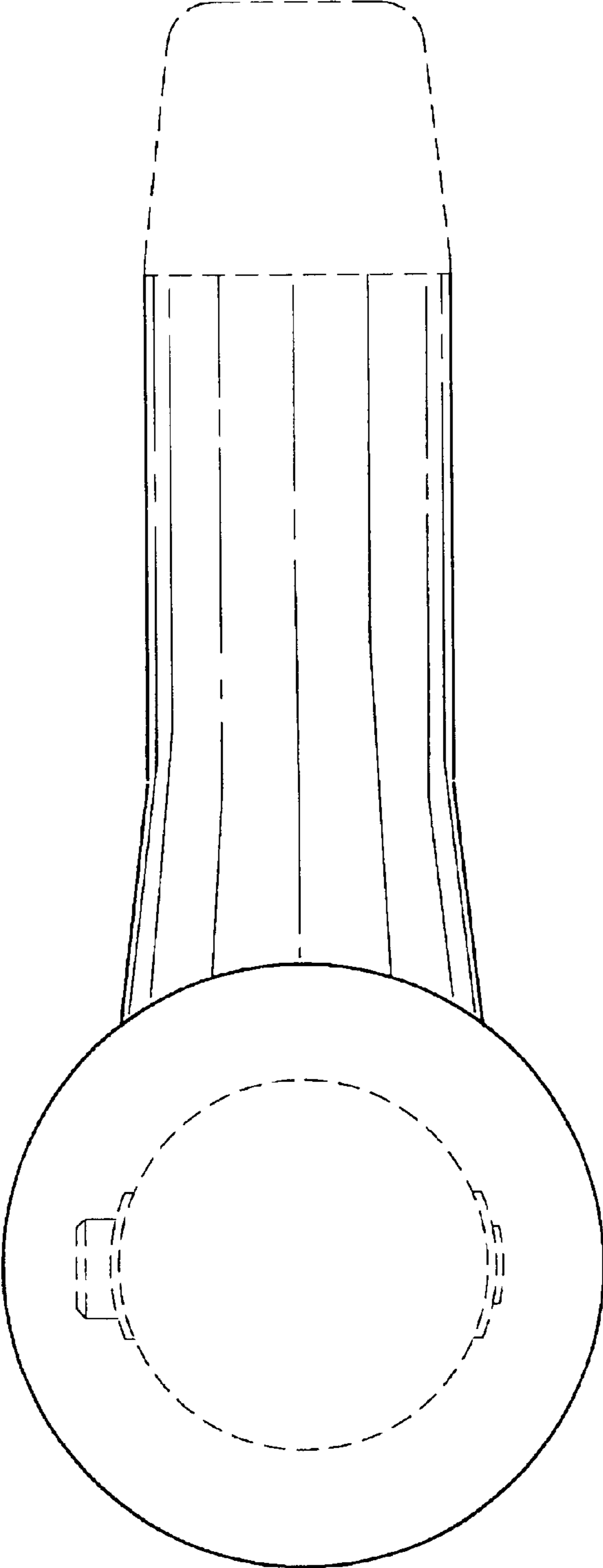


FIG. 7