

US00D506152S

(12) **United States Design Patent**
Dombrowski

(10) **Patent No.:** **US D506,152 S**
(45) **Date of Patent:** **** Jun. 14, 2005**

- (54) **YARDAGE MARKER SYSTEM**
- (75) Inventor: **Brian Dombrowski**, San Jose, CA (US)
- (73) Assignee: **Marquee Golf, Inc.**, San Jose, CA (US)
- (**) Term: **14 Years**
- (21) Appl. No.: **29/192,311**
- (22) Filed: **Oct. 20, 2003**
- (51) **LOC (8) Cl.** **10-04**
- (52) **U.S. Cl.** **D10/70**
- (58) **Field of Search** D10/70, 113; 473/490,
473/150; 239/71, 201; 404/11

(56) **References Cited**

U.S. PATENT DOCUMENTS

5,219,171	A *	6/1993	Kirby et al.	473/150
5,340,103	A *	8/1994	Kirby et al.	473/150
5,451,000	A *	9/1995	Shaw et al.	239/71
5,916,049	A *	6/1999	Wagner	473/490

* cited by examiner

Primary Examiner—Antoine D. Davis
(74) *Attorney, Agent, or Firm*—Michael A. Glenn; Glenn Patent Group

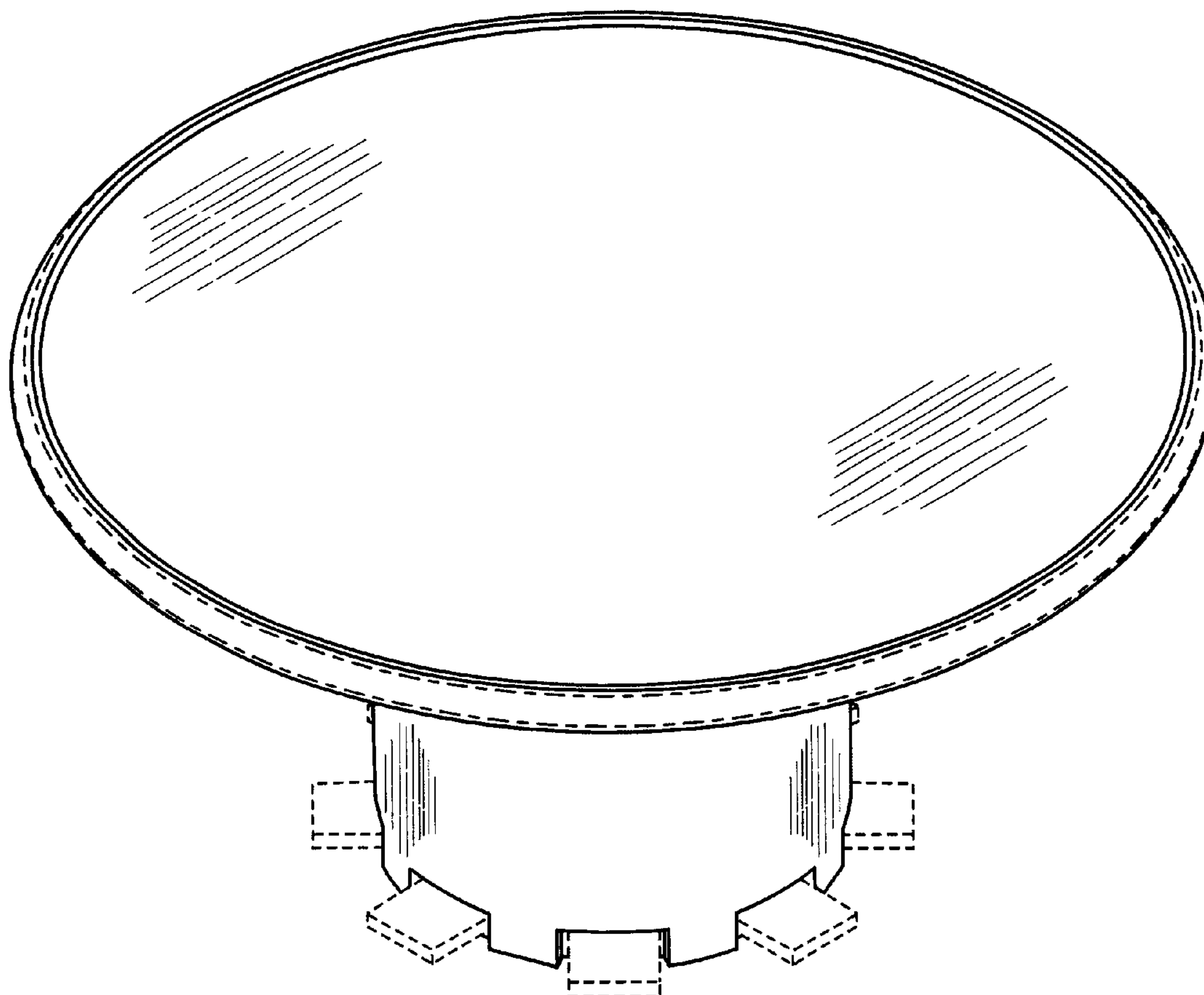
(57) **CLAIM**

The ornamental design for a yardage marker system, as shown and described.

DESCRIPTION

FIG. 1 is a perspective view of a yardage marker system according to the invention;
 FIG. 2 is an upper end view of a yardage marker system according to the invention;
 FIG. 3 is a top view of a yardage marker system according to the invention;
 FIG. 4 is a bottom view of a yardage marker system according to the invention;
 FIG. 5 is an upper end view of a yardage marker system according to the invention; and,
 FIG. 6 is a side sectional view of a yardage marker system according to the invention.
 The broken line showing is for illustrative purposes only and forms no part of the claimed design.

1 Claim, 3 Drawing Sheets



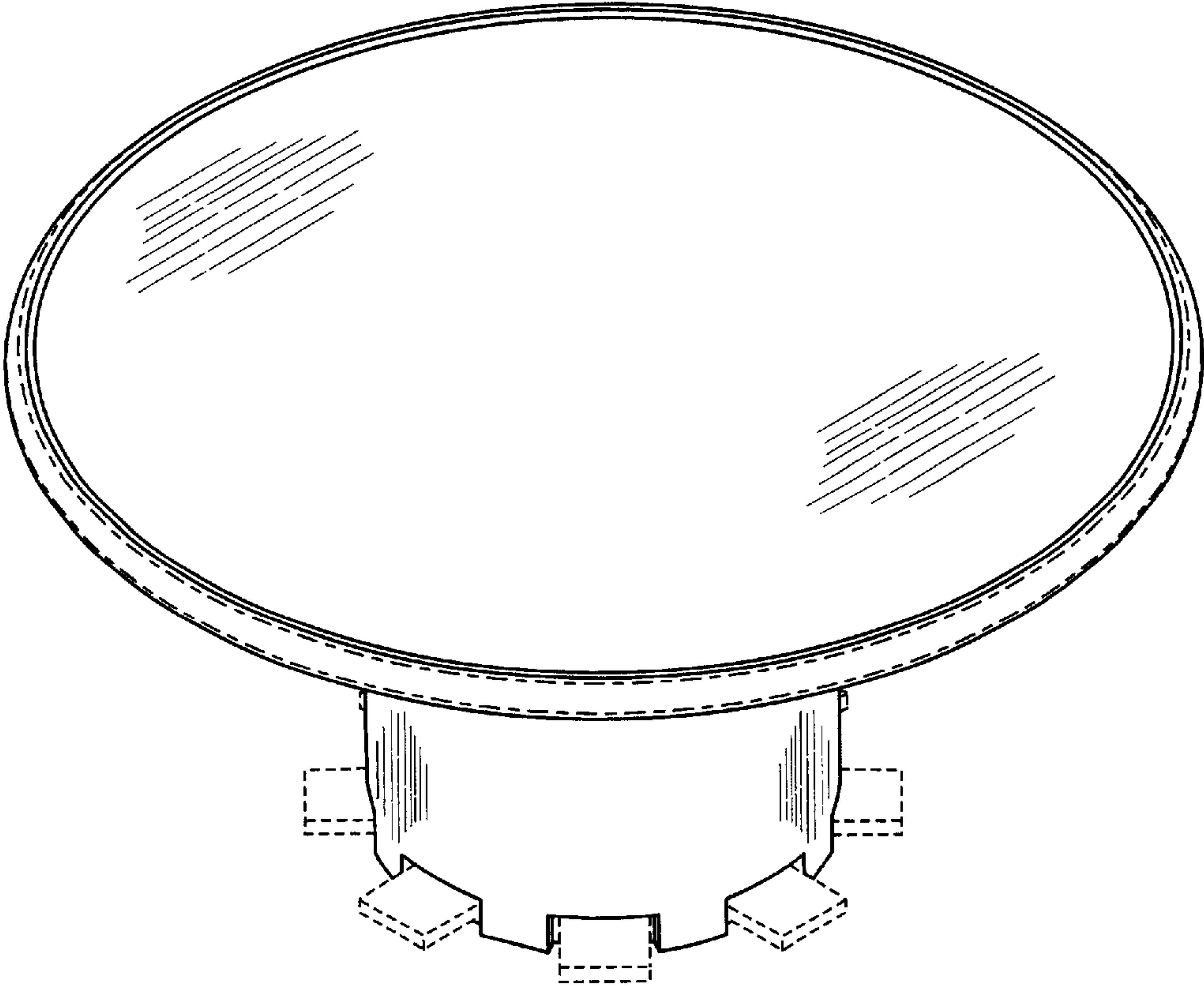


FIG. 1

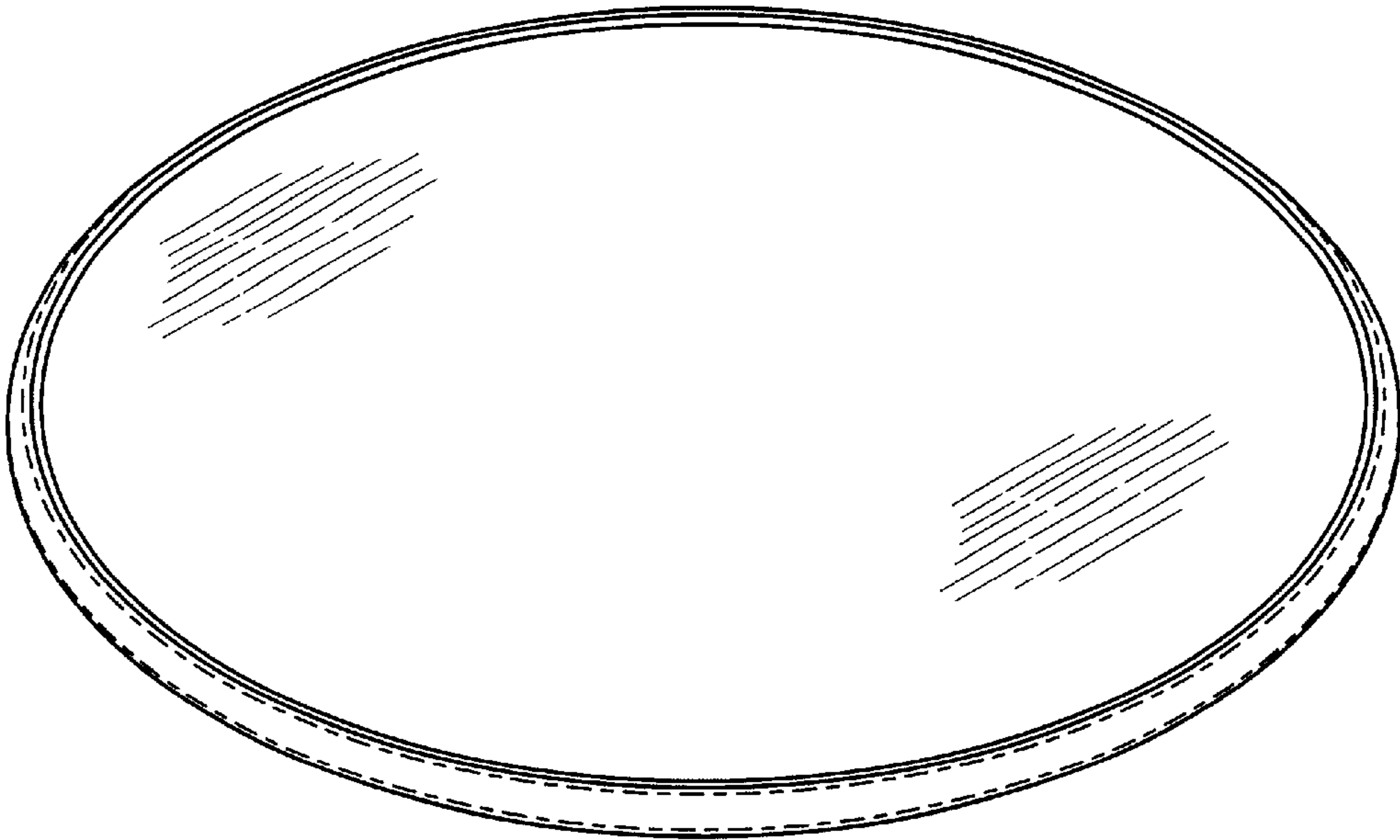


FIG. 2

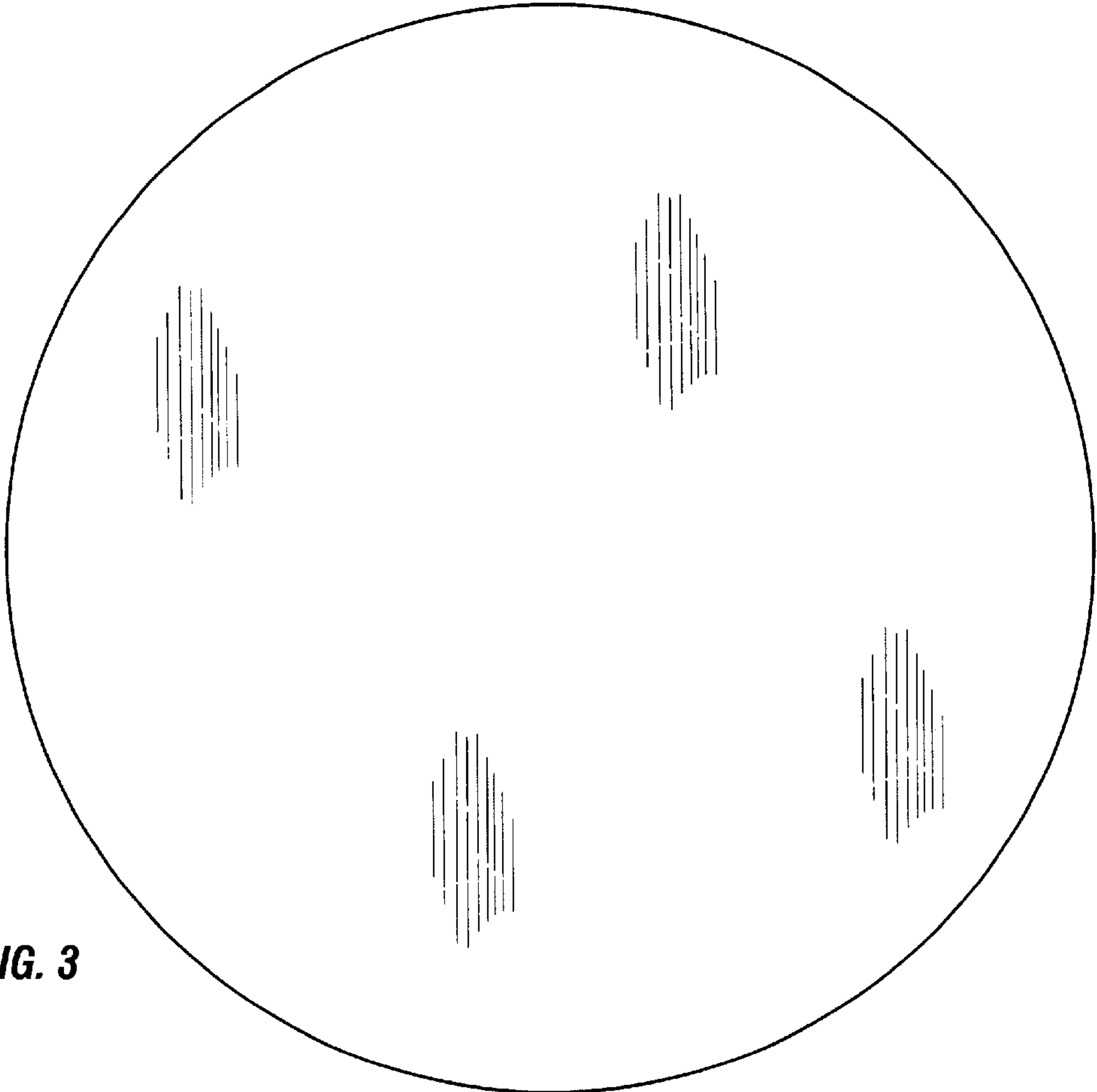


FIG. 3

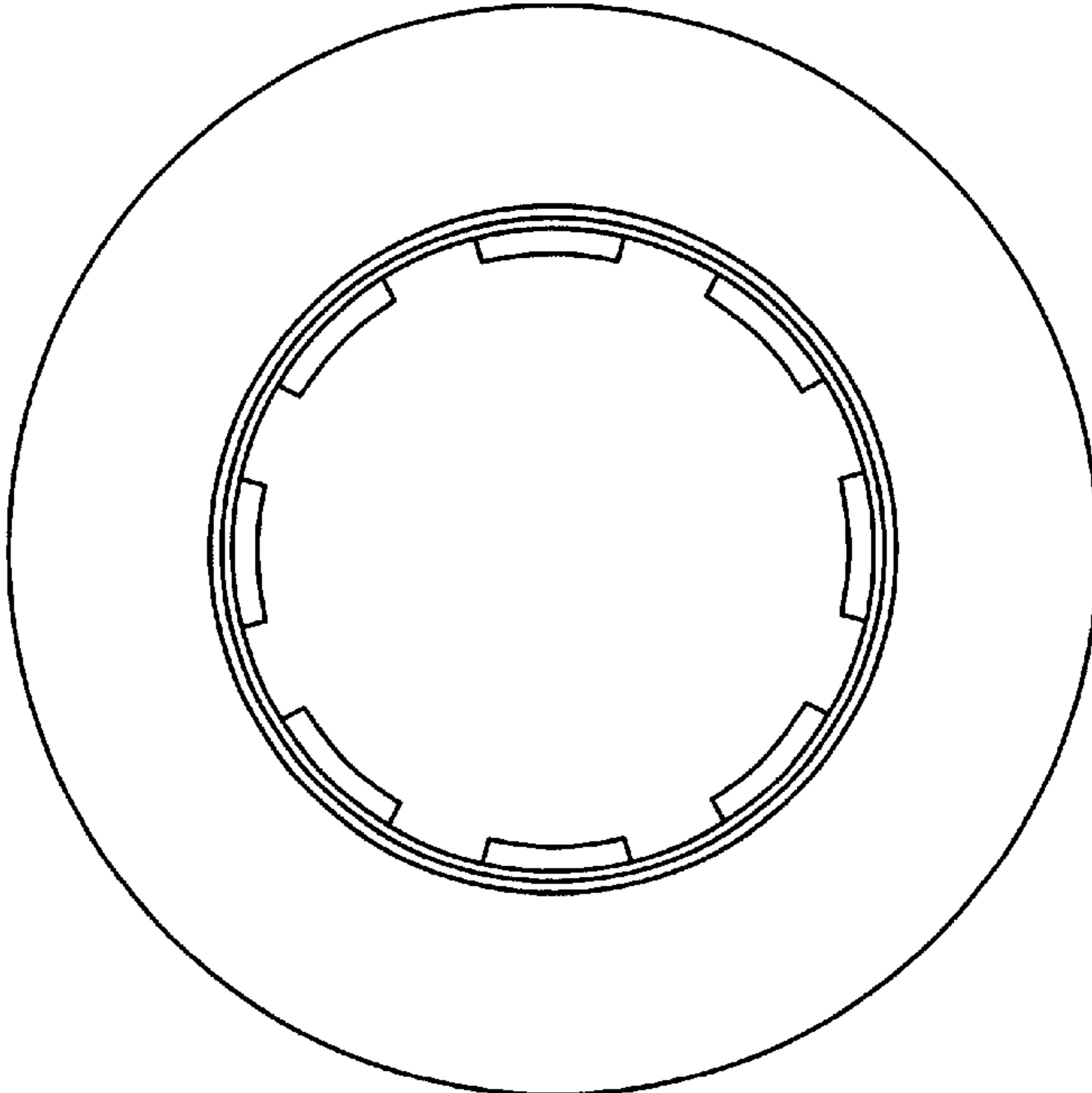


FIG. 4

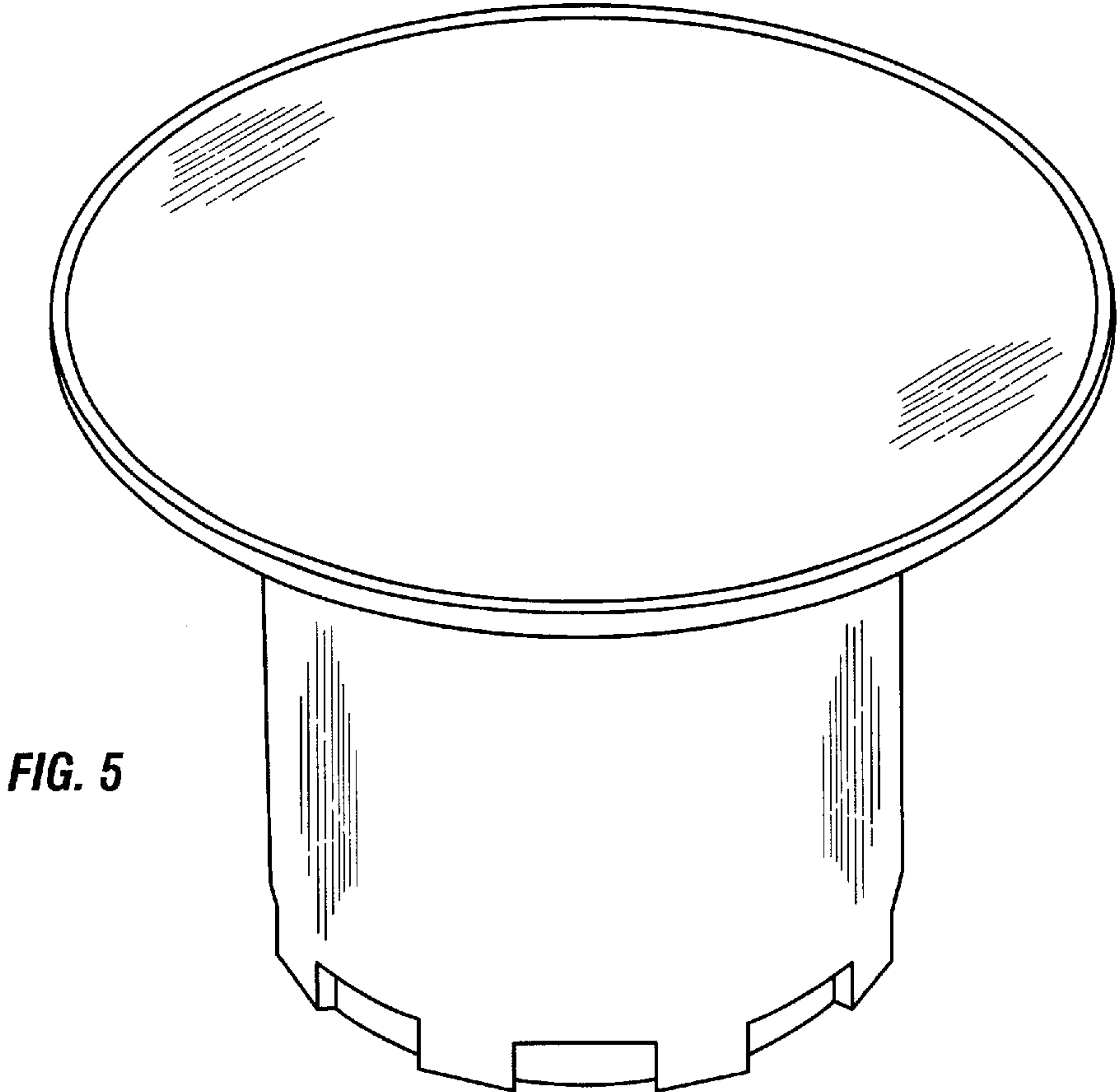


FIG. 5

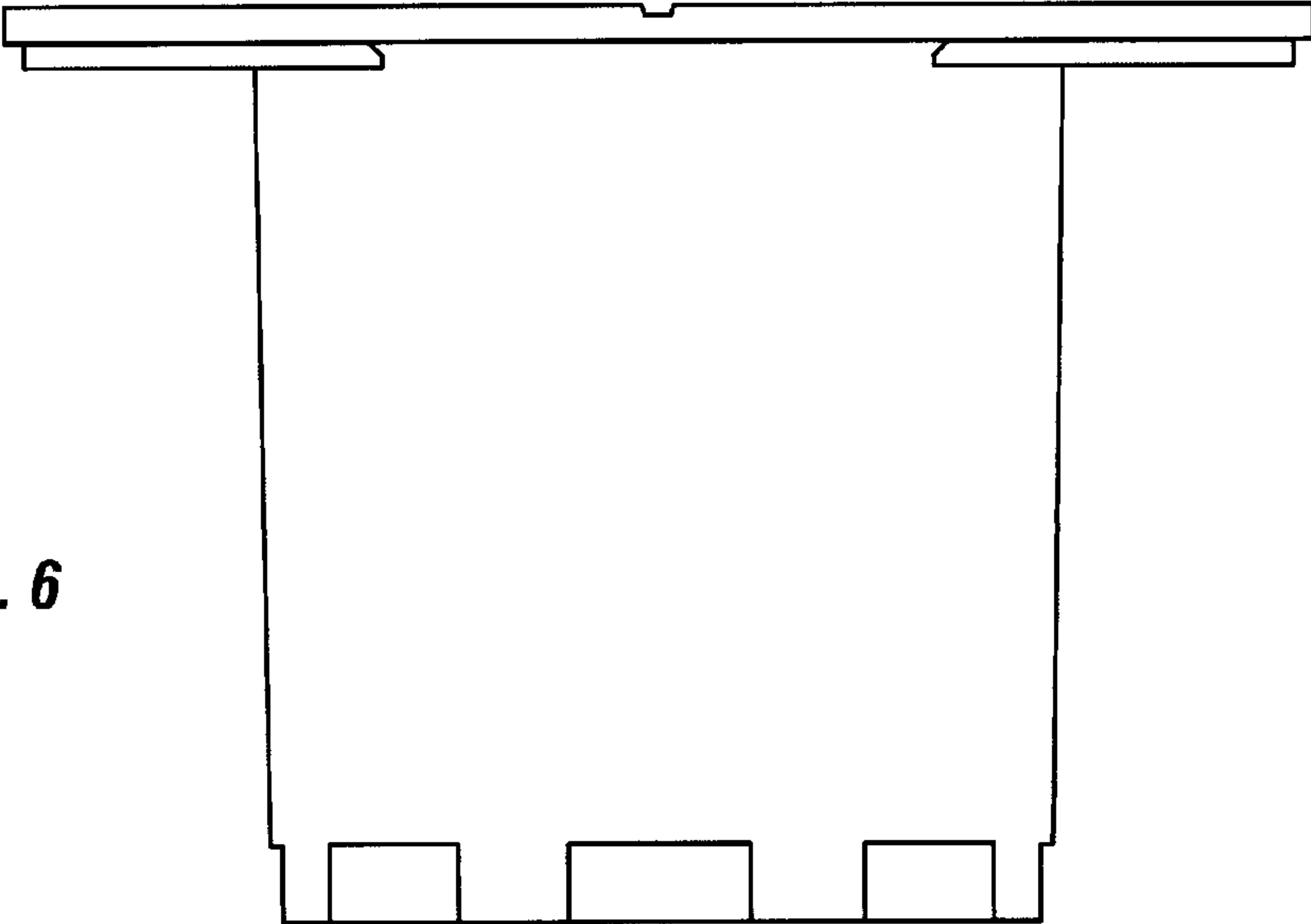


FIG. 6