

US00D506147S

(12) **United States Design Patent**
Hall

(10) **Patent No.:** **US D506,147 S**

(45) **Date of Patent:** **** Jun. 14, 2005**

(54) **PRODUCE CLAMSHELL**

(76) **Inventor:** **Alex F. Hall**, 1060 W. Florenece Ave.,
Los Angeles, CA (US) 90301

(**) **Term:** **14 Years**

(21) **Appl. No.:** **29/201,448**

(22) **Filed:** **Mar. 15, 2004**

(51) **LOC (8) Cl.** **09-03**

(52) **U.S. Cl.** **D9/761; D9/757**

(58) **Field of Search** D9/737, 756, 757,
D9/759, 761, 762, 420, 424, 425, 426,
454, 415, 418, 347, 732; 220/508; 217/26.5;
206/493, 499, 521, 521.1, 521.7, 521.8,
521.15

(56) **References Cited**

U.S. PATENT DOCUMENTS

586,846	A	*	7/1897	Hammer	217/26.5
2,843,496	A	*	7/1958	Altenburg et al.	206/521.8
D185,628	S	*	7/1959	De Augustina	D9/757
3,221,971	A	*	12/1965	Reny	206/521.8
3,416,690	A	*	12/1968	Michael	217/26.5
D272,317	S	*	1/1984	Parmentier	D9/732
4,757,899	A	*	7/1988	Magnussen et al.	206/493
D315,871	S	*	4/1991	Whitebread	D9/415
D346,552	S	*	5/1994	Krupa	D9/757
D363,021	S	*	10/1995	Lombard	D9/415
D379,300	S	*	5/1997	Krupa et al.	D9/757
D447,684	S	*	9/2001	Hogman	D9/757
D459,988	S	*	7/2002	Hogman	D9/757

* cited by examiner

Primary Examiner—Stella Reid

Assistant Examiner—Mark A. Goodwin

(74) *Attorney, Agent, or Firm*—Michael Blaine Brooks
P.C.; Michael B. Brooks; Andrew S. Naglestad

(57) **CLAIM**

I claim the ornamental design for a produce clamshell, as shown and described.

DESCRIPTION

FIG. 1 is a top plan view of the first embodiment of the produce clamshell;

FIG. 2 is a left side elevational view according to the first embodiment of the produce clamshell;

FIG. 3 is a bottom plan view according to the first embodiment of the produce clamshell;

FIG. 4 is a right side elevational view according to the first embodiment of the produce clamshell;

FIG. 5 is a front elevational view according to the first embodiment of the produce clamshell;

FIG. 6 is a back elevational view according to the first embodiment of the produce clamshell;

FIG. 7 is a top plan view of the second embodiment of the produce clamshell;

FIG. 8 is a left side elevational view, according to the second embodiment of the produce clamshell;

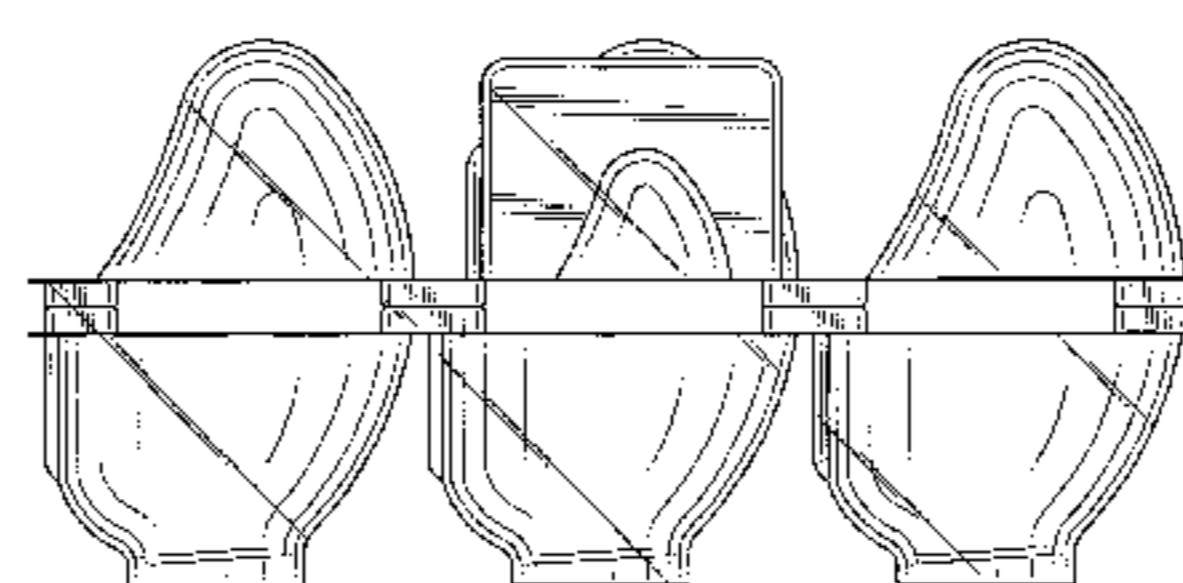
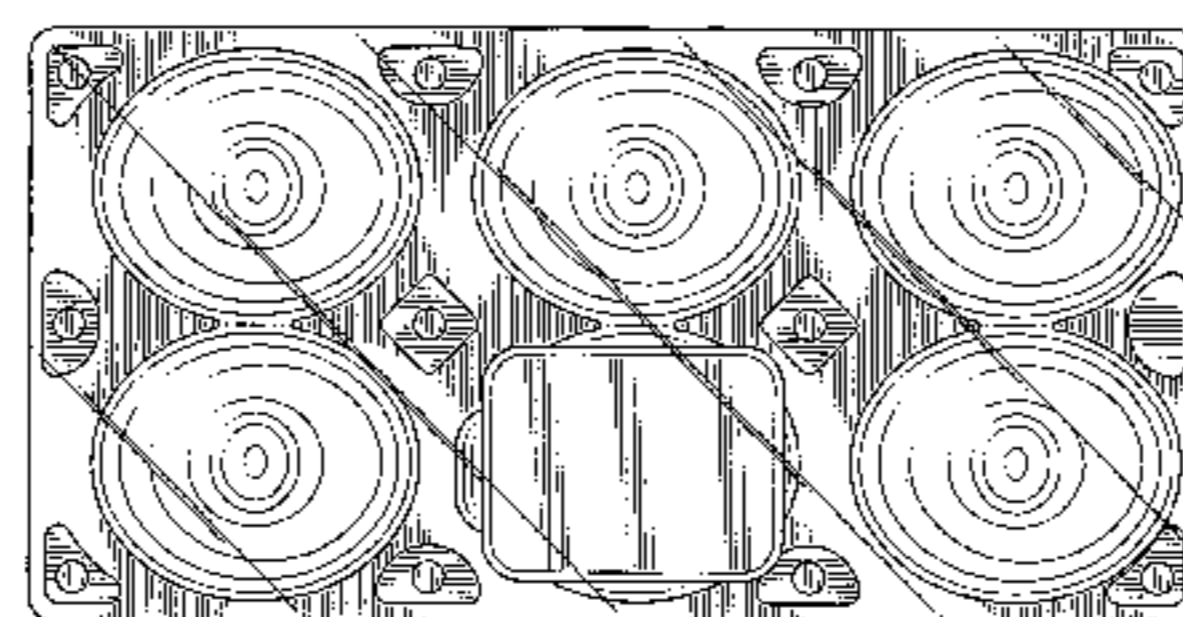
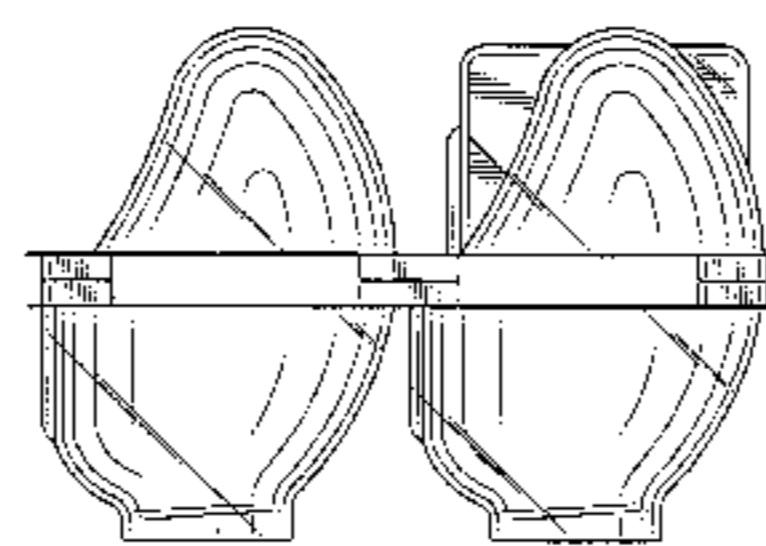
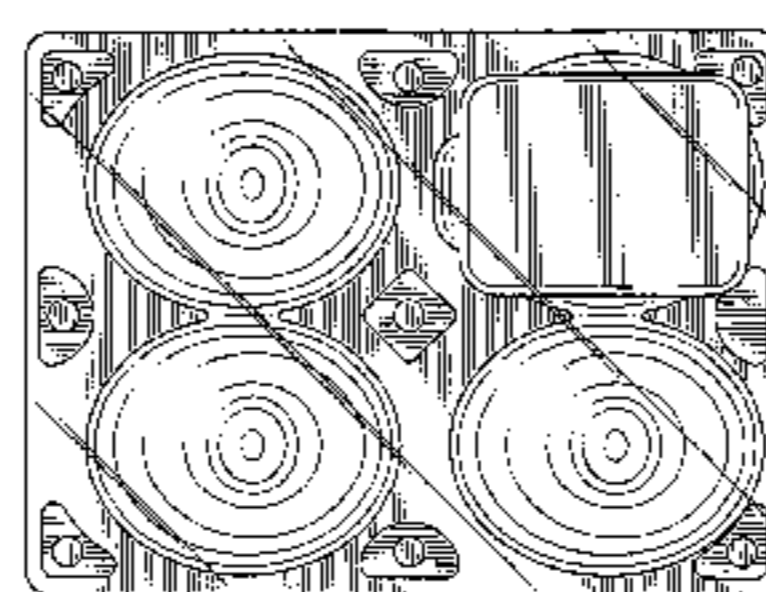
FIG. 9 is a bottom plan view according to the second embodiment of the produce clamshell;

FIG. 10 is a right side elevational view according to the second embodiment of the produce clamshell;

FIG. 11 is a front elevational view according to the second embodiment of the produce clamshell; and,

FIG. 12 is a back elevational view according to the second embodiment of the produce clamshell.

1 Claim, 8 Drawing Sheets



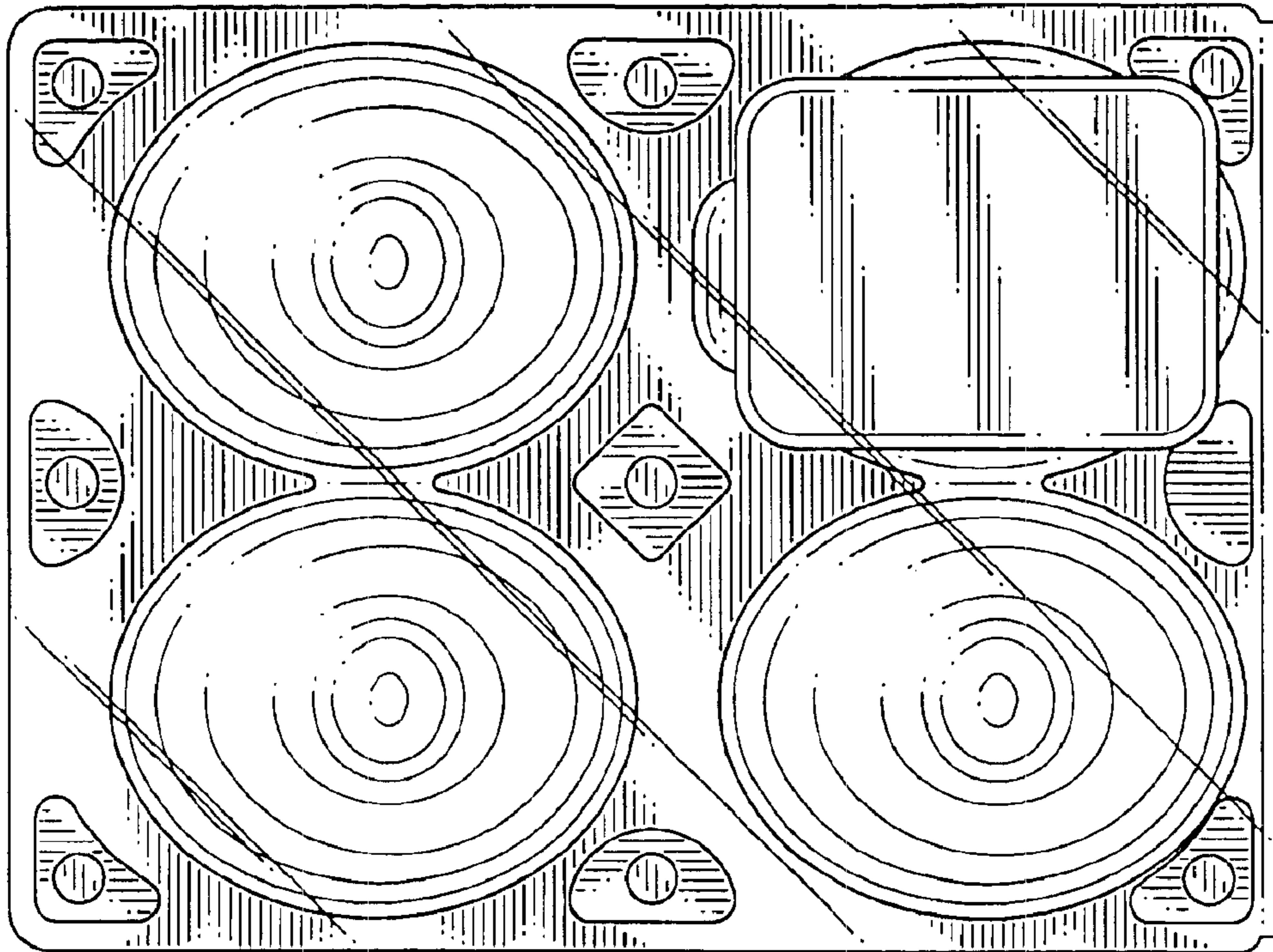


FIG. 1

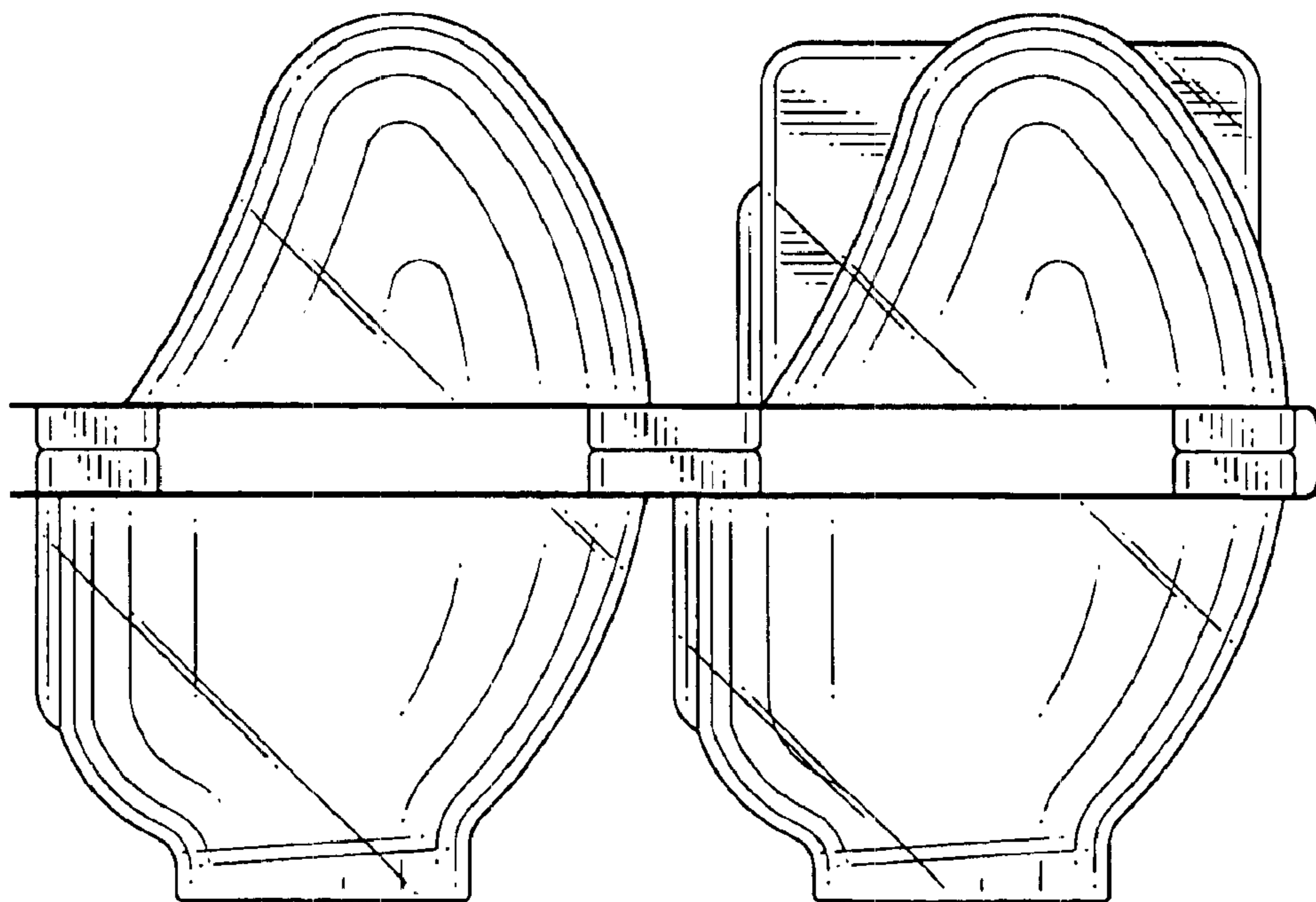


FIG. 2

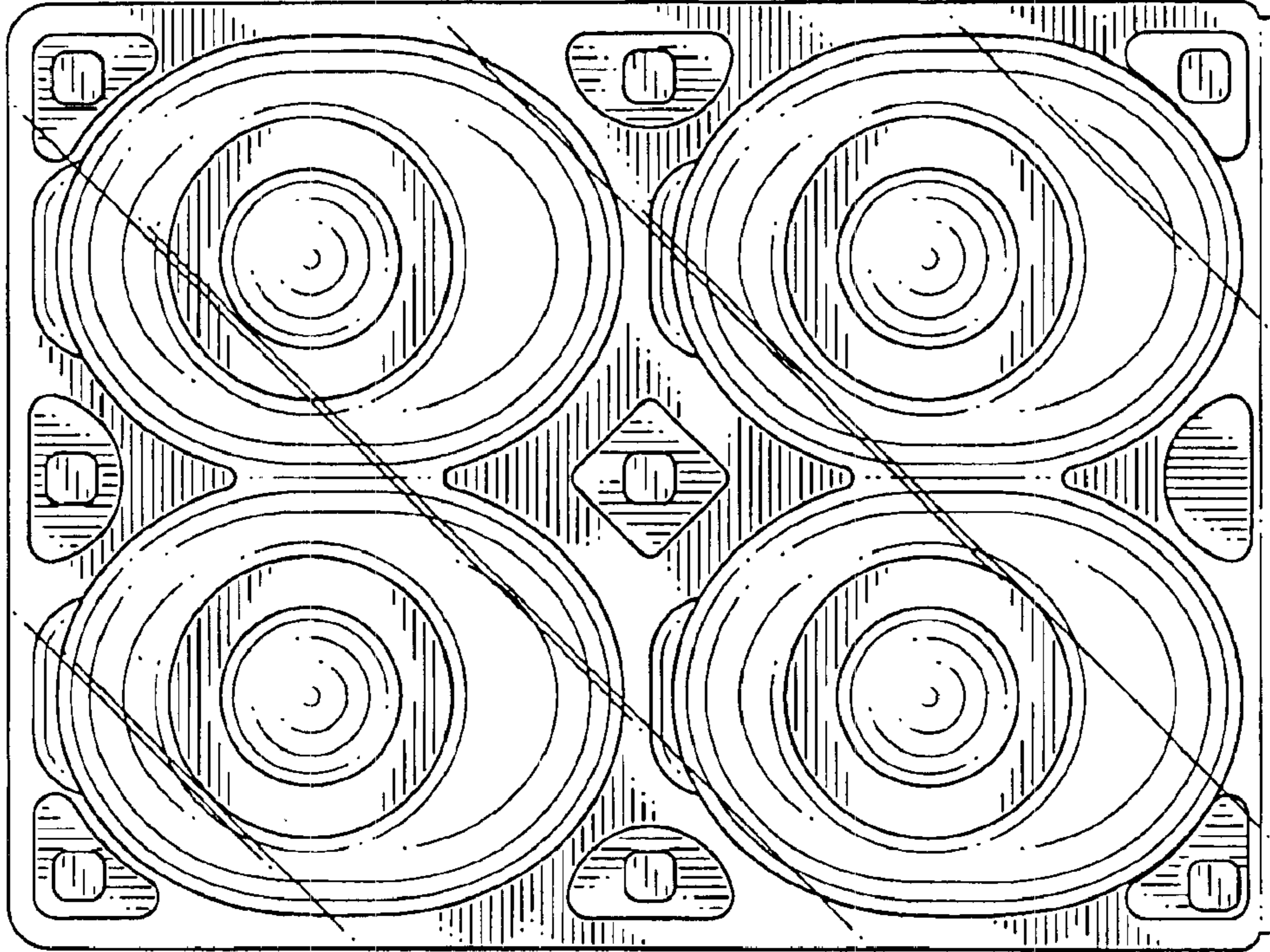


FIG. 3

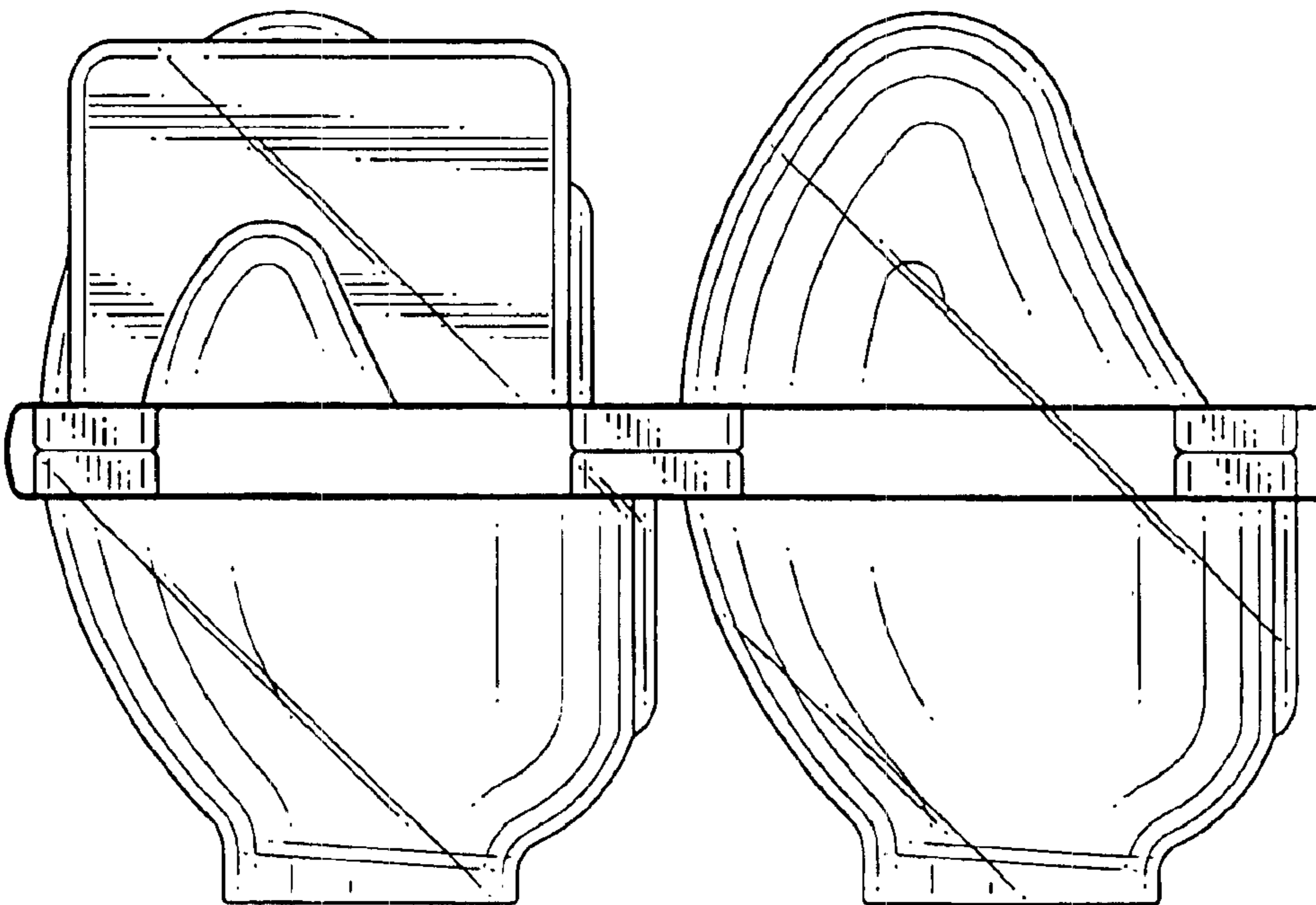


FIG. 4

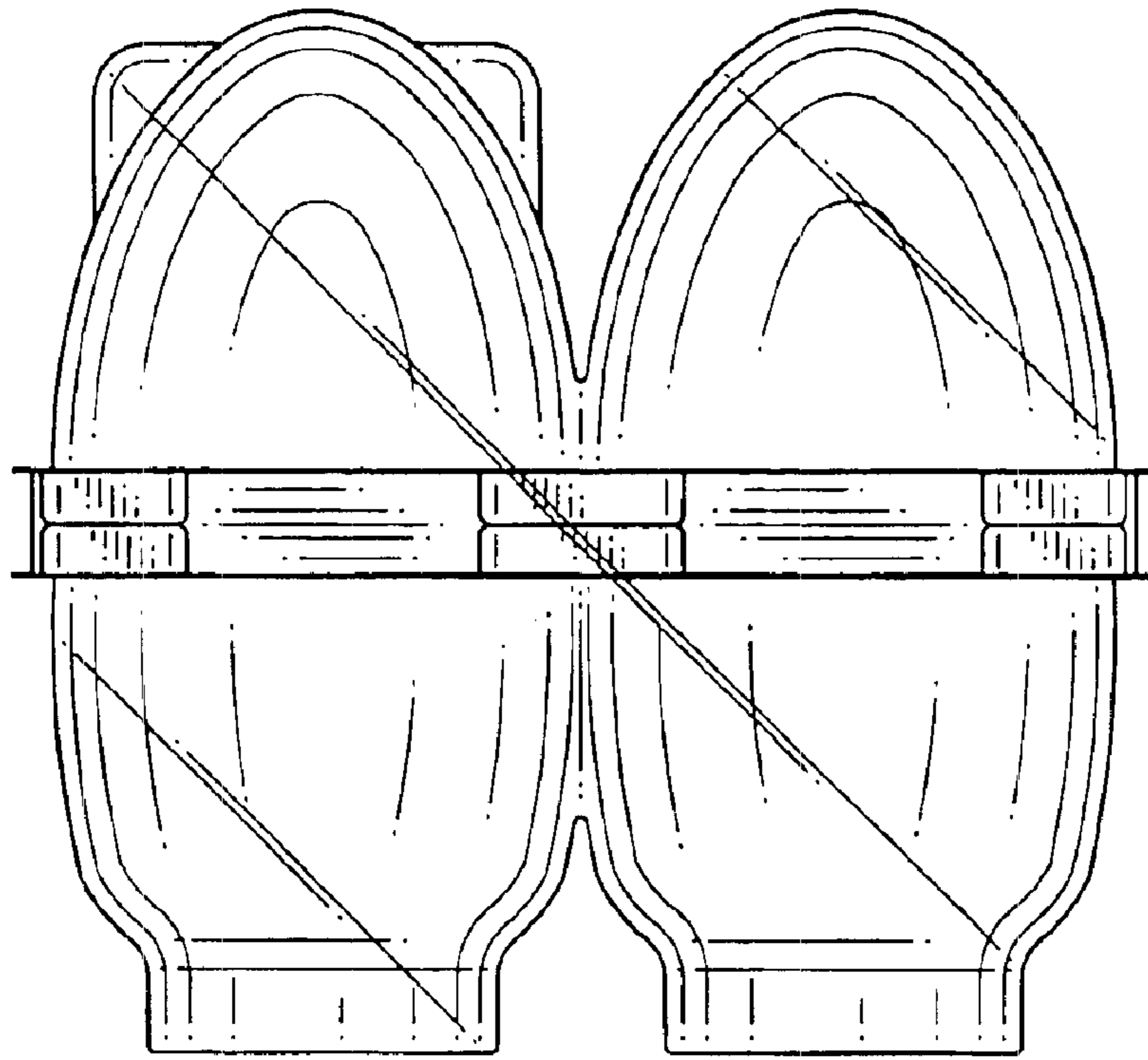


FIG. 5

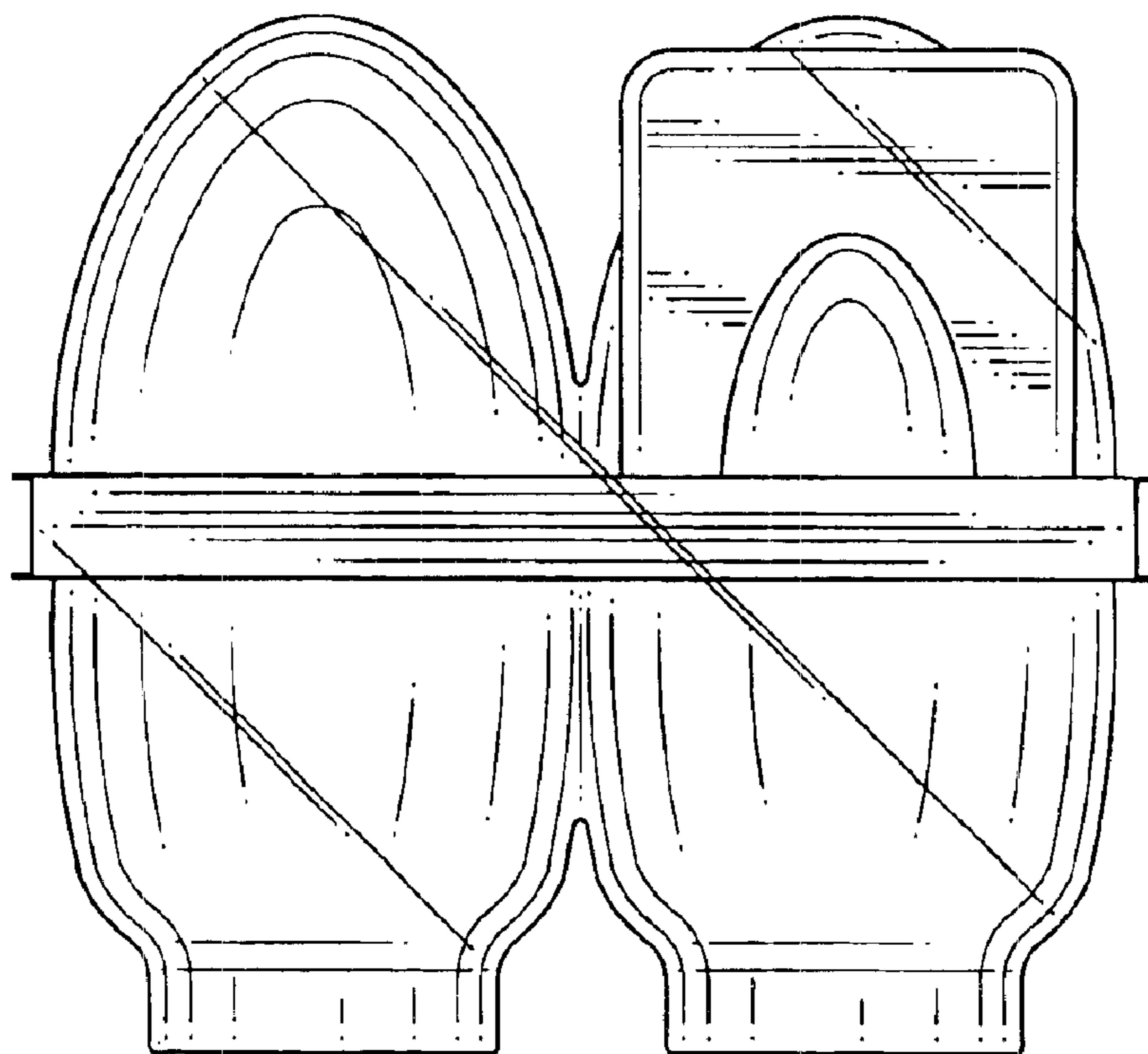


FIG. 6

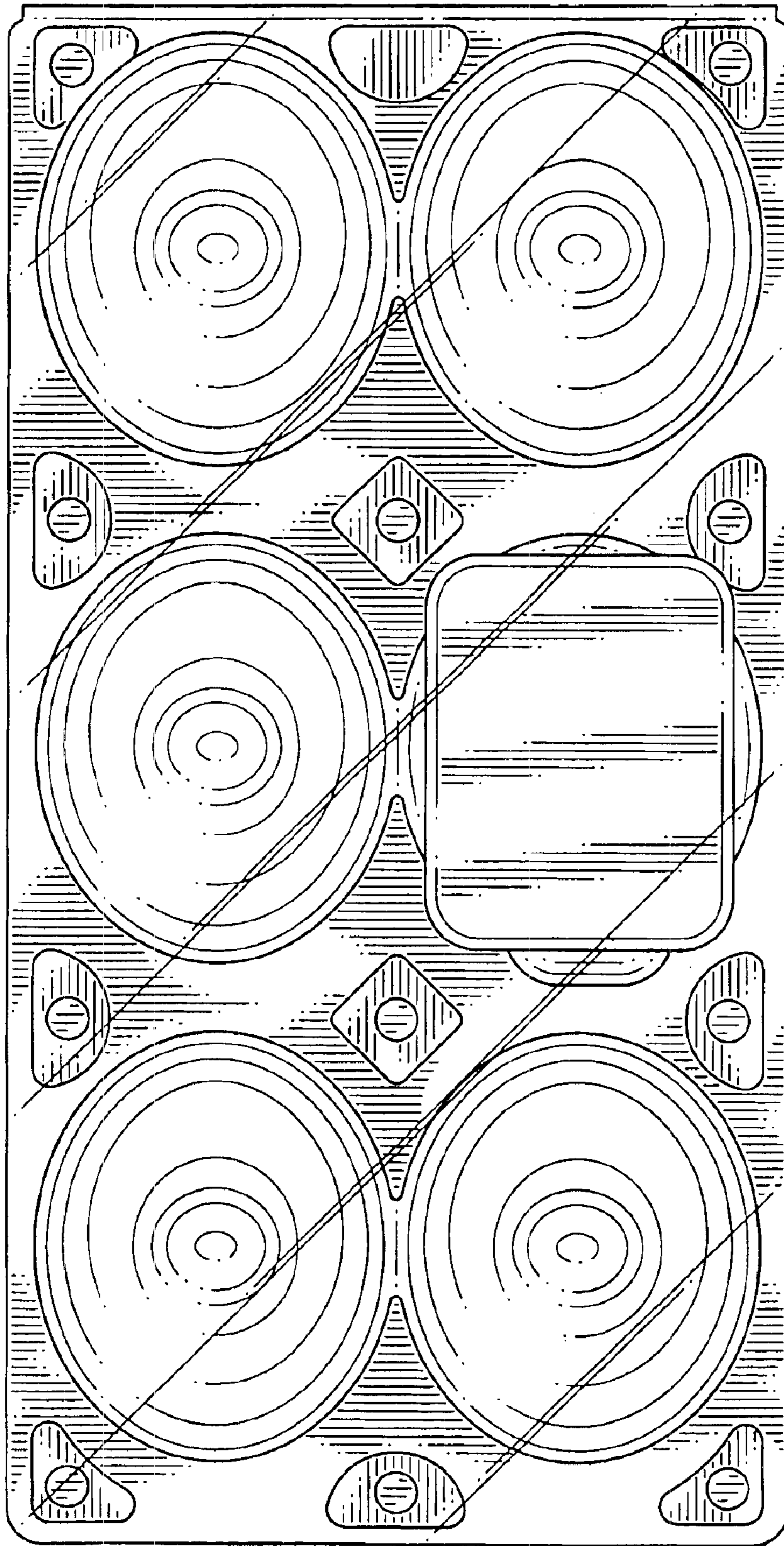


FIG. 7

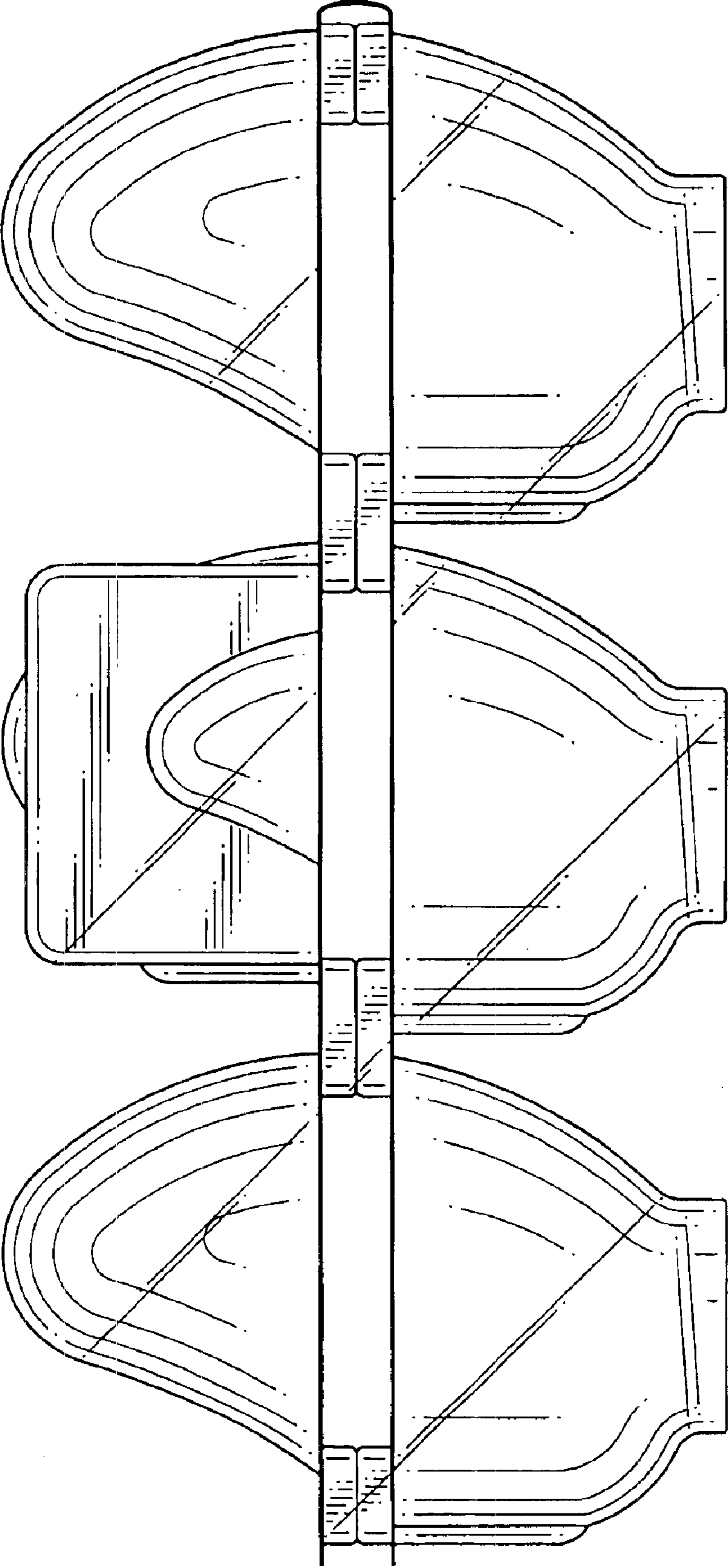


FIG. 8

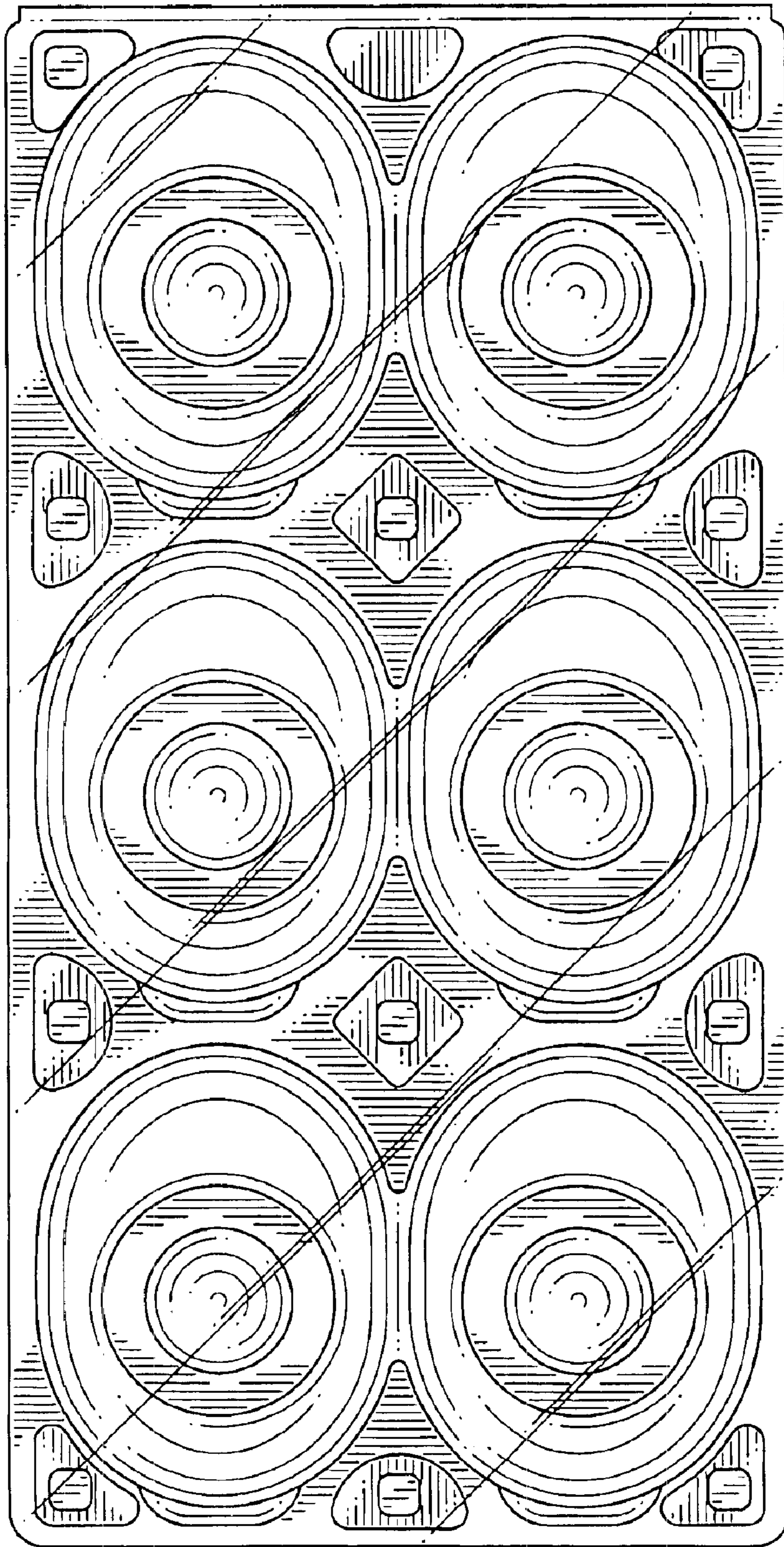


FIG. 9

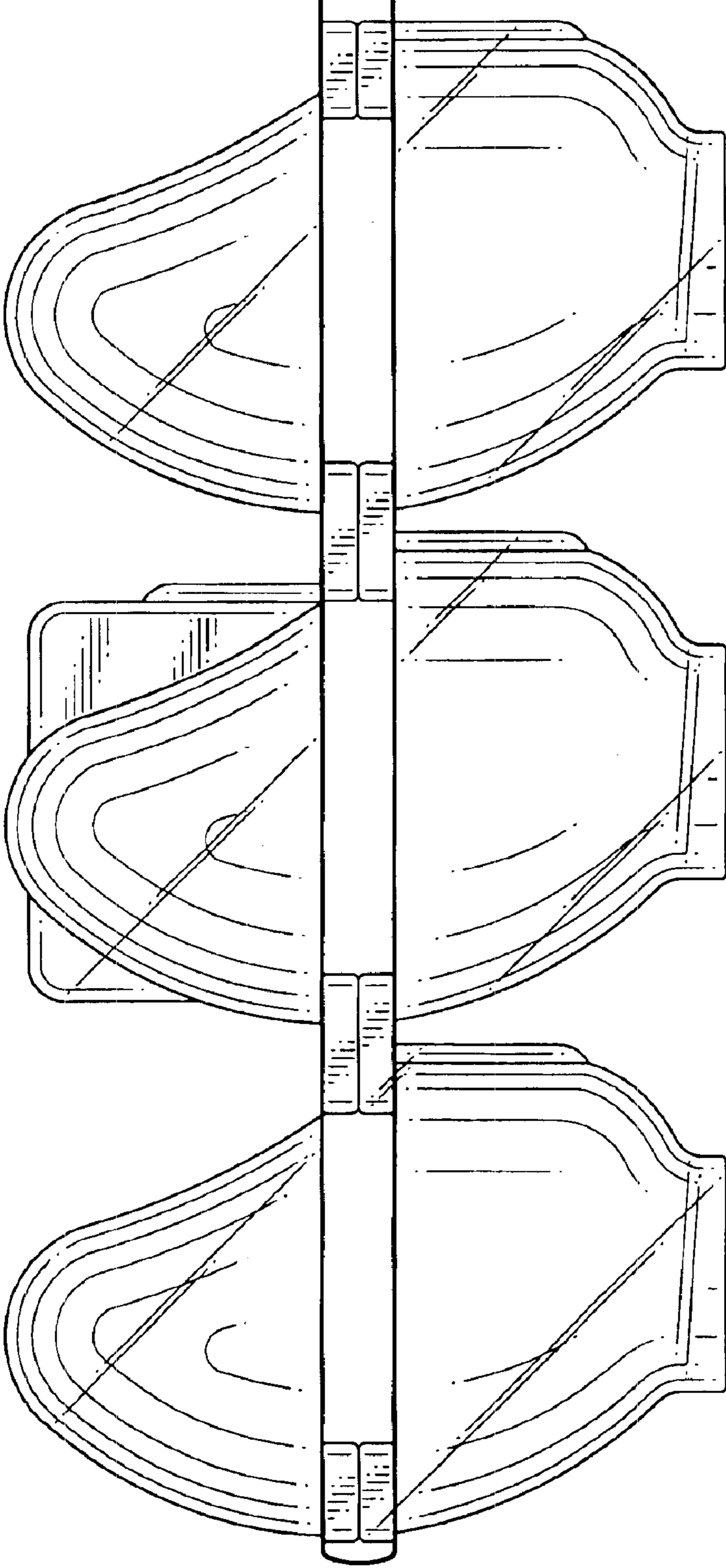


FIG. 10

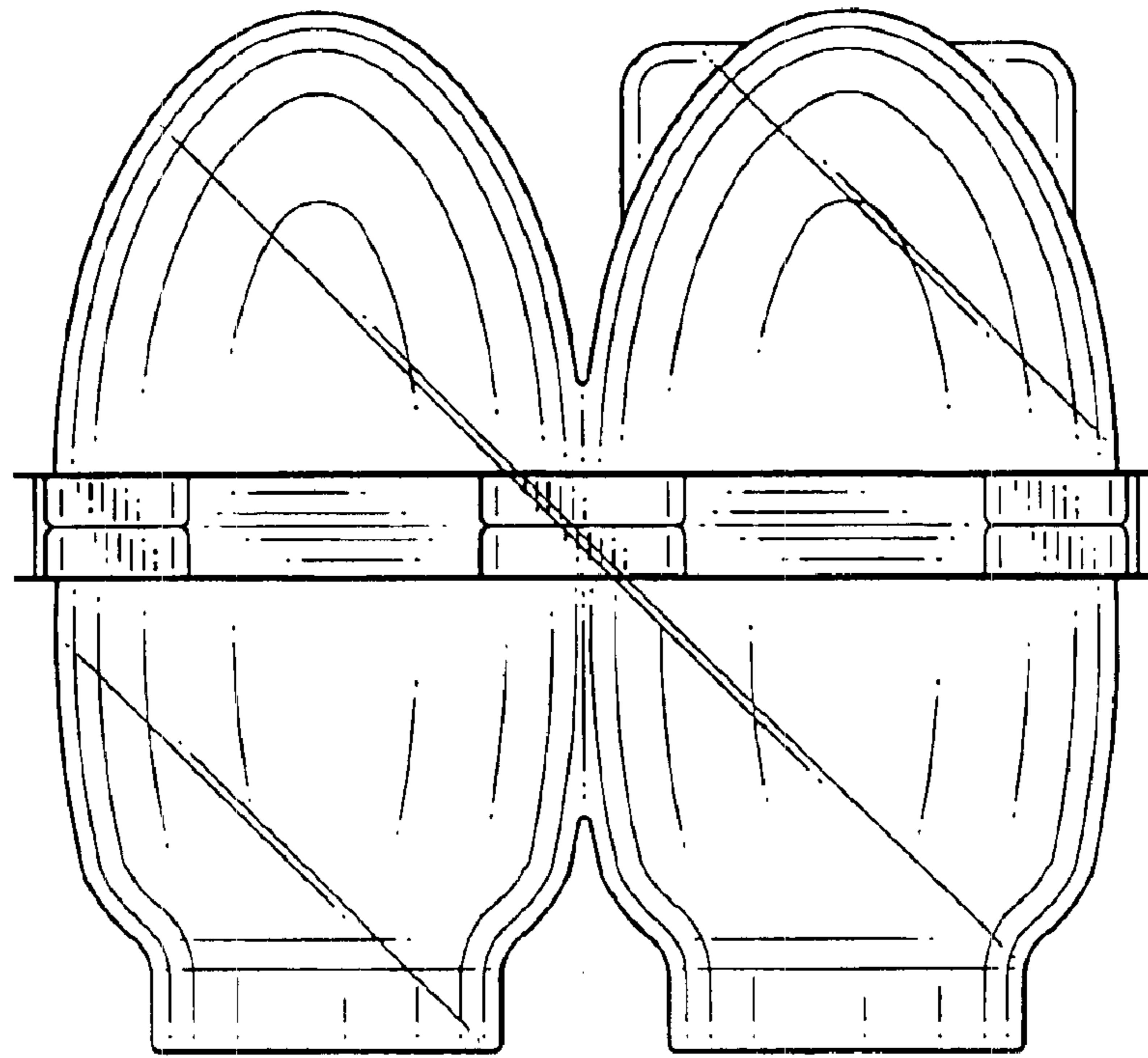


FIG. 11

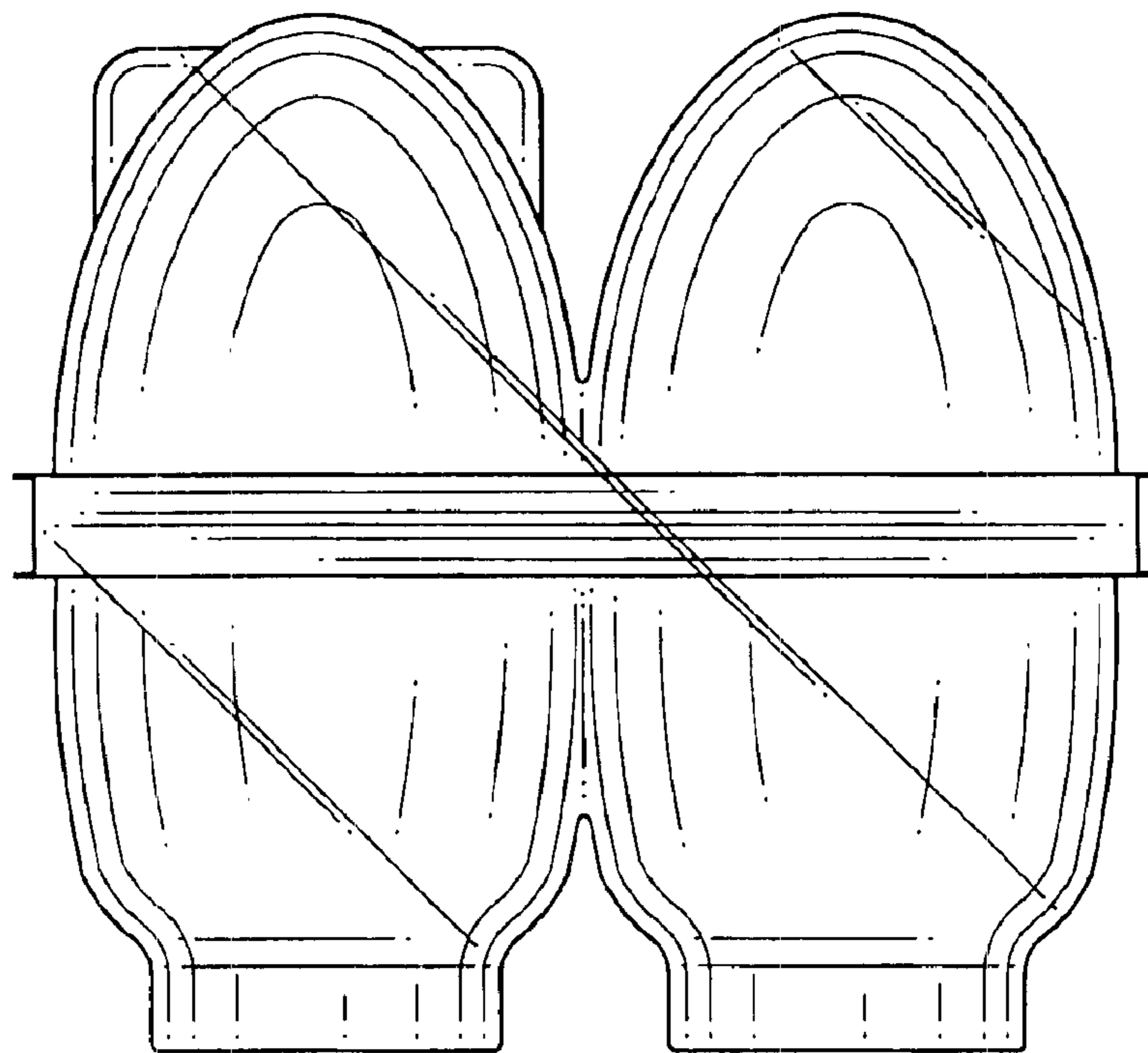


FIG. 12