

US00D506146S

(12) **United States Design Patent**  
**Hall**

(10) **Patent No.:** **US D506,146 S**  
(45) **Date of Patent:** **\*\* Jun. 14, 2005**

- (54) **PRODUCE CLAMSHELL**
- (76) **Inventor:** **Alex F. Hall**, 1060 W. Florence Ave.,  
Los Angeles, CA (US) 90301
- (\*\*) **Term:** **14 Years**
- (21) **Appl. No.:** **29/194,734**
- (22) **Filed:** **Nov. 26, 2003**
- (51) **LOC (8) Cl.** ..... **09-03**
- (52) **U.S. Cl.** ..... **D9/761; D9/757**
- (58) **Field of Search** ..... **D9/737, 756, 757,**  
**D9/759, 761, 762, 420, 424, 425, 426,**  
**454, 415, 418, 347, 732; 220/508; 217/26.5;**  
**206/493, 499, 521, 521.1, 521.7, 521.8,**  
**521.15**

- 5,405,000 A 4/1995 Hagedon et al.
- 5,413,215 A 5/1995 Hardinger, Jr.
- 5,429,833 A 7/1995 Wyslowsky
- D361,714 S 8/1995 Krupa
- D363,021 S \* 10/1995 Lombard ..... D9/415
- 5,497,894 A 3/1996 Krupa et al.
- D368,414 S 4/1996 VanHalteren et al.
- 5,590,805 A 1/1997 Knoss et al.
- D379,300 S 5/1997 Krupa et al.
- D396,408 S 7/1998 Carver
- D420,866 S 2/2000 VanHalteren et al.
- 6,231,906 B1 5/2001 Alessi
- D447,684 S \* 9/2001 Hogman ..... D9/757
- D459,988 S \* 7/2002 Hogman ..... D9/757
- D459,989 S 7/2002 Hogman
- 6,478,158 B2 11/2002 Gaffney et al.
- 6,595,366 B1 7/2003 Brown

\* cited by examiner

(56) **References Cited**  
**U.S. PATENT DOCUMENTS**

- 586,846 A \* 7/1897 Hammer ..... 217/26.5
- 2,843,496 A \* 7/1958 Altenburg et al. .... 206/521.8
- D185,628 S \* 7/1959 De Augustina ..... D9/757
- 3,171,562 A 3/1965 Weiss
- 3,221,971 A \* 12/1965 Reny ..... 206/521.8
- D204,505 S \* 4/1966 Bostrom ..... D9/757
- 3,416,690 A \* 12/1968 Michael ..... 217/26.5
- 4,193,531 A 3/1980 Saby
- 4,333,571 A \* 6/1982 Martelli ..... 206/499
- D272,317 S \* 1/1984 Parmentier ..... D9/732
- 4,472,896 A 9/1984 Brauner et al.
- 4,757,899 A 7/1988 Magnussen, Jr. et al.
- 4,792,085 A 12/1988 Waring, III et al.
- D315,871 S \* 4/1991 Whitebread ..... D9/415
- D327,841 S 7/1992 Letourneau
- D343,576 S 1/1994 Krupa
- D346,552 S 5/1994 Krupa
- D352,893 S 11/1994 Legacy et al.

*Primary Examiner*—Stella Reid  
*Assistant Examiner*—Mark A. Goodwin  
(74) *Attorney, Agent, or Firm*—Michael Blaine Brooks  
P.C.; Michael B. Brooks; Andrew S. Naglestad

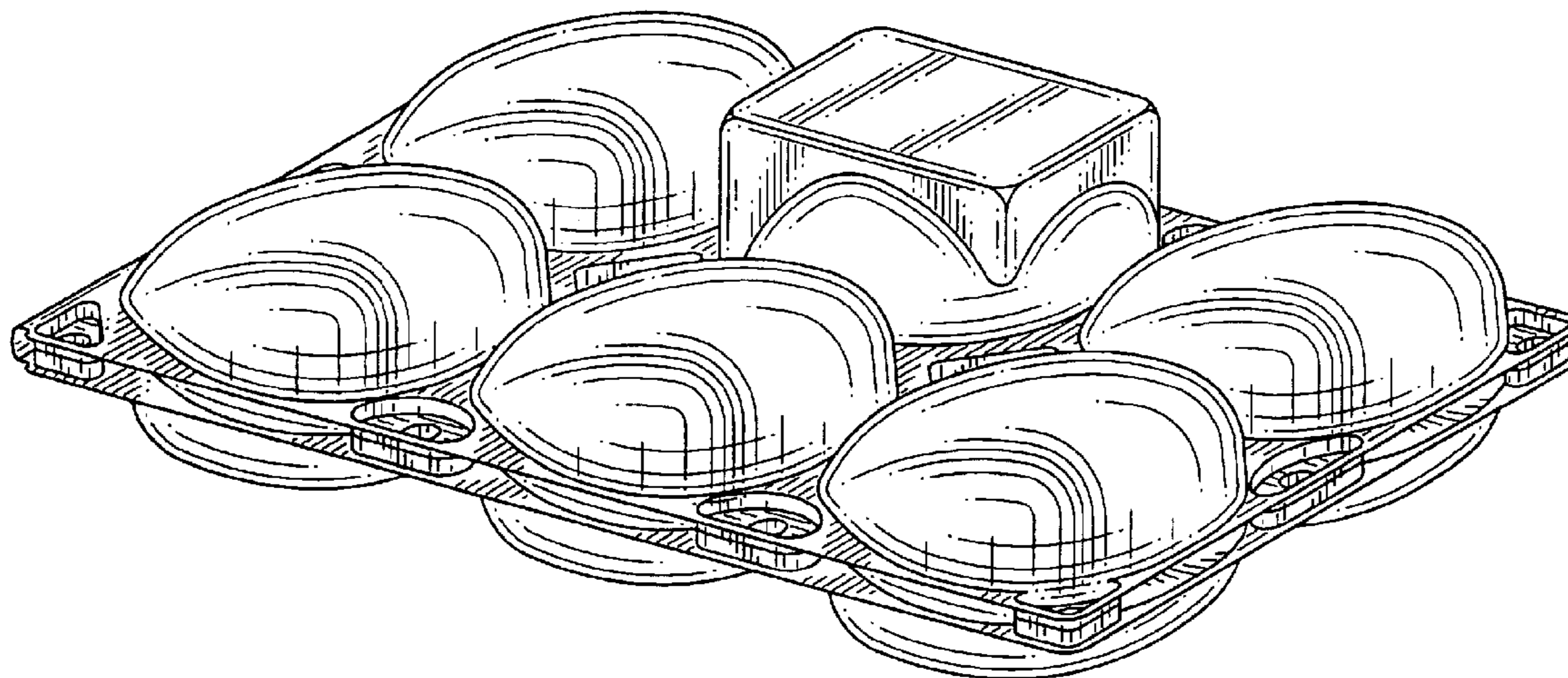
(57) **CLAIM**

I claim the ornamental design for a produce clamshell, as shown.

**DESCRIPTION**

FIG. 1 is a top perspective view of a produce clamshell showing my new design;  
FIG. 2 is a top plan view thereof;  
FIG. 3 is a left side elevational view thereof;  
FIG. 4 is a right side elevational view thereof;  
FIG. 5 is a front elevational view thereof;  
FIG. 6 is a back elevational view thereof; and,  
FIG. 7 is a bottom plan view thereof.

**1 Claim, 5 Drawing Sheets**



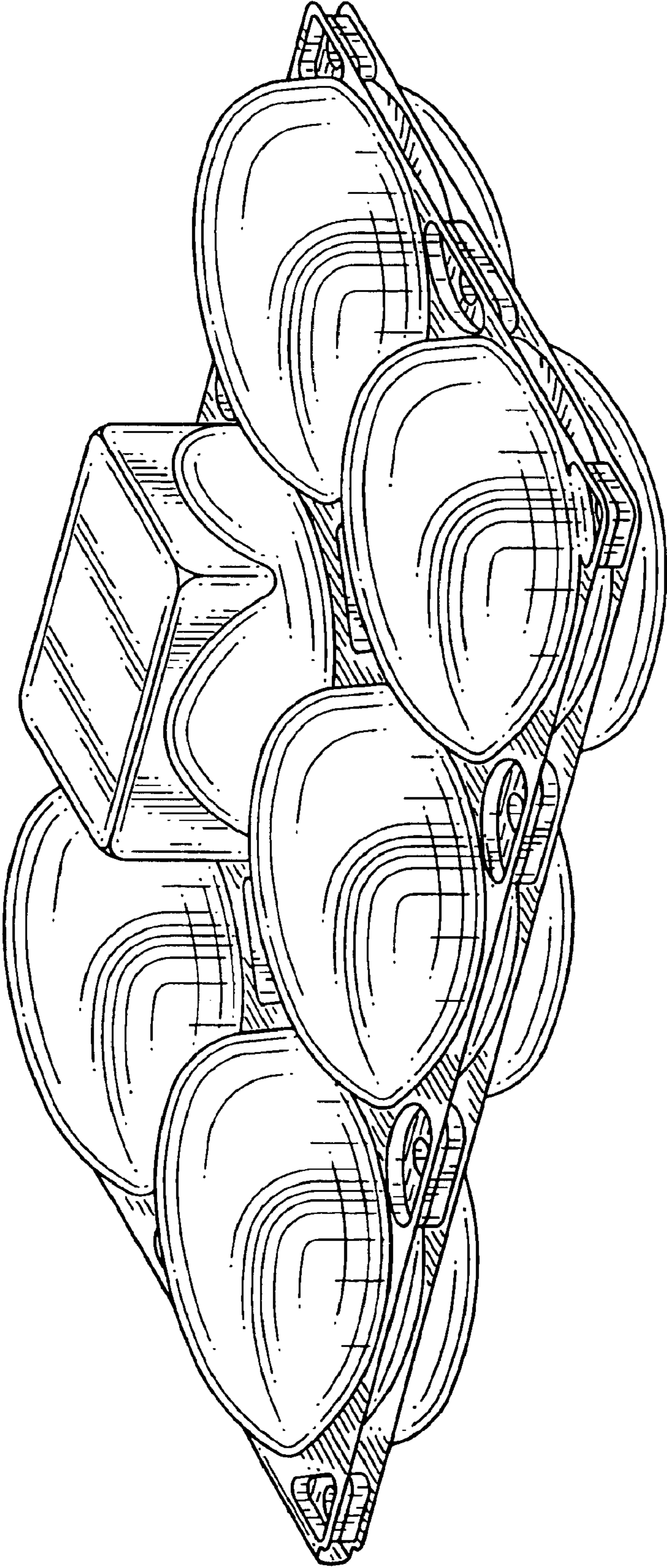


FIG. 1

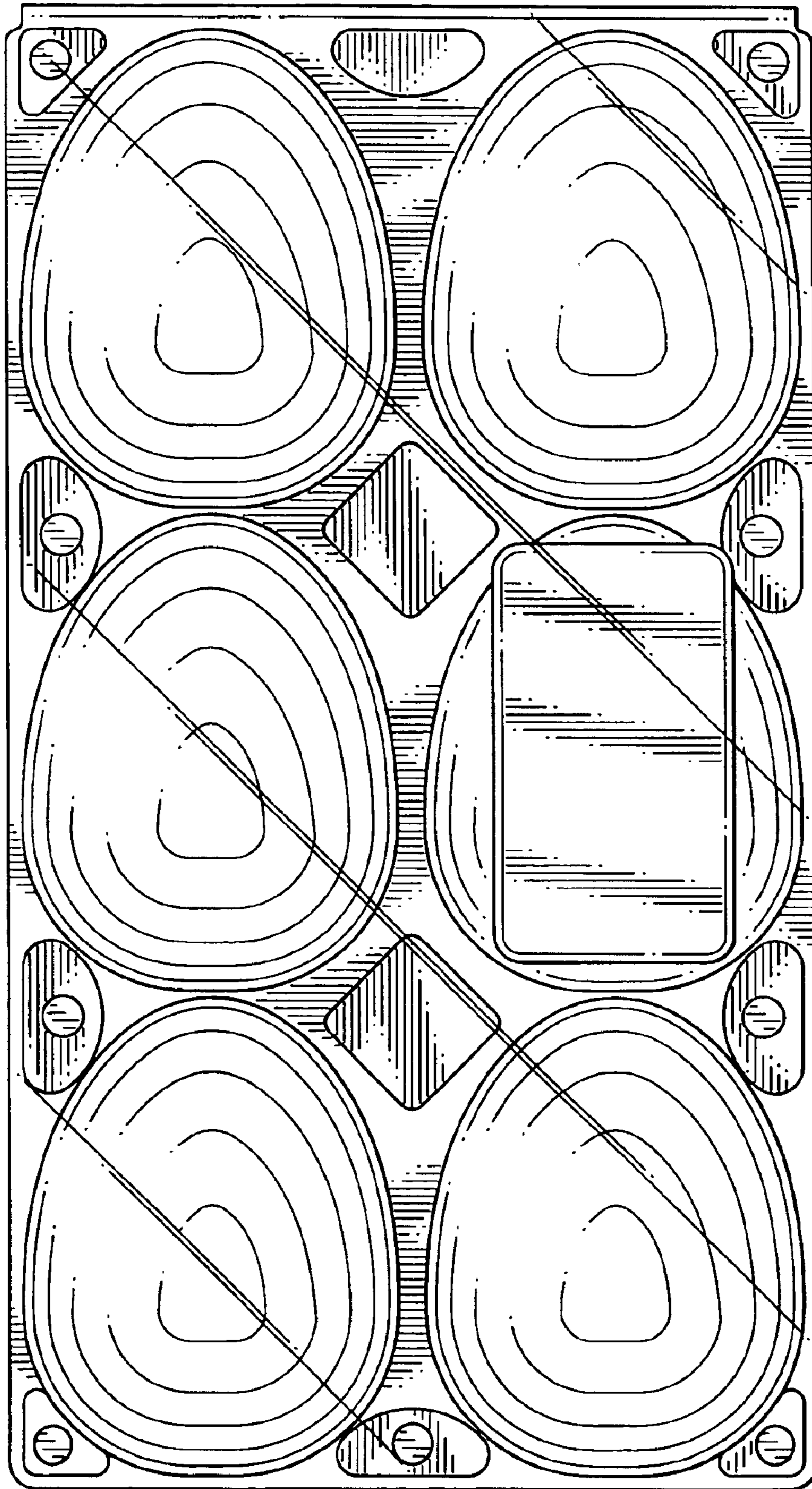


FIG. 2

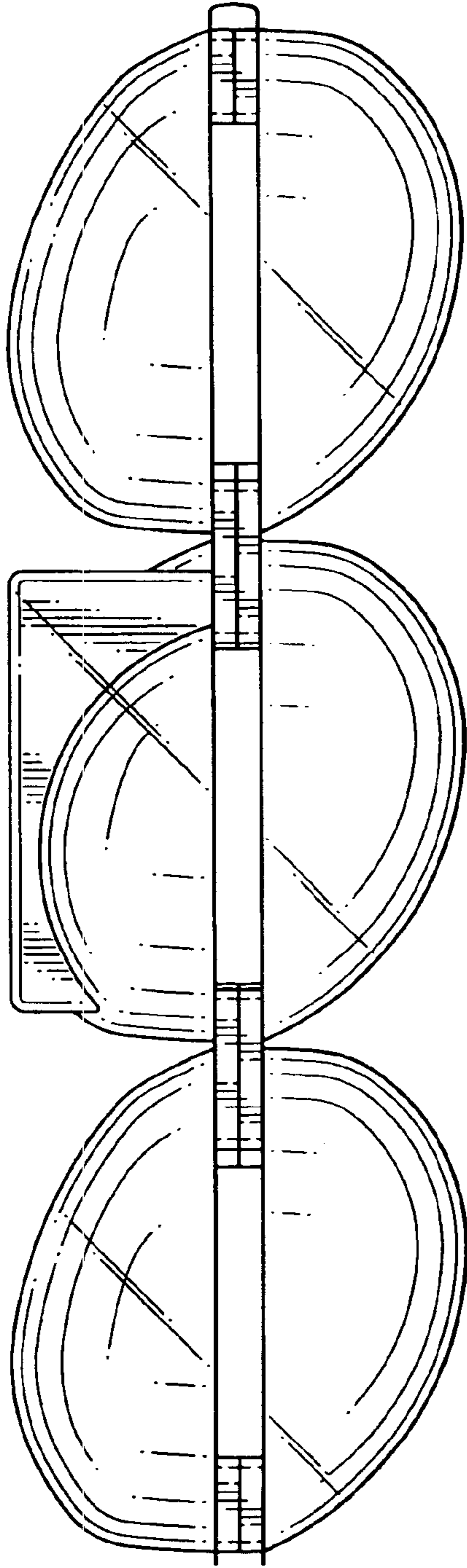


FIG. 3

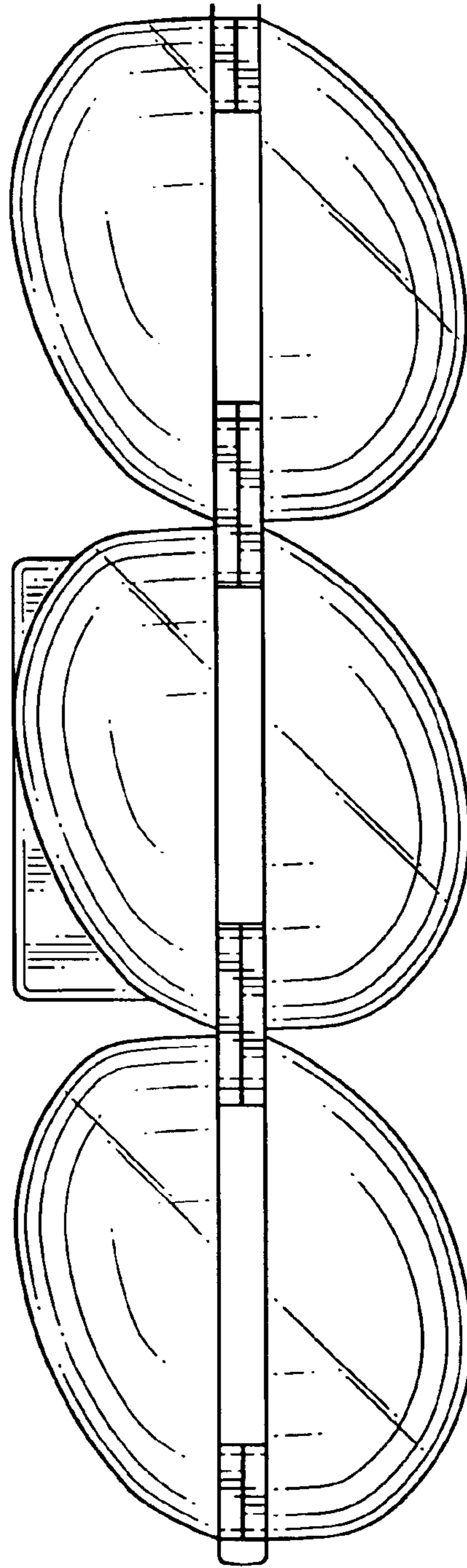


FIG. 4

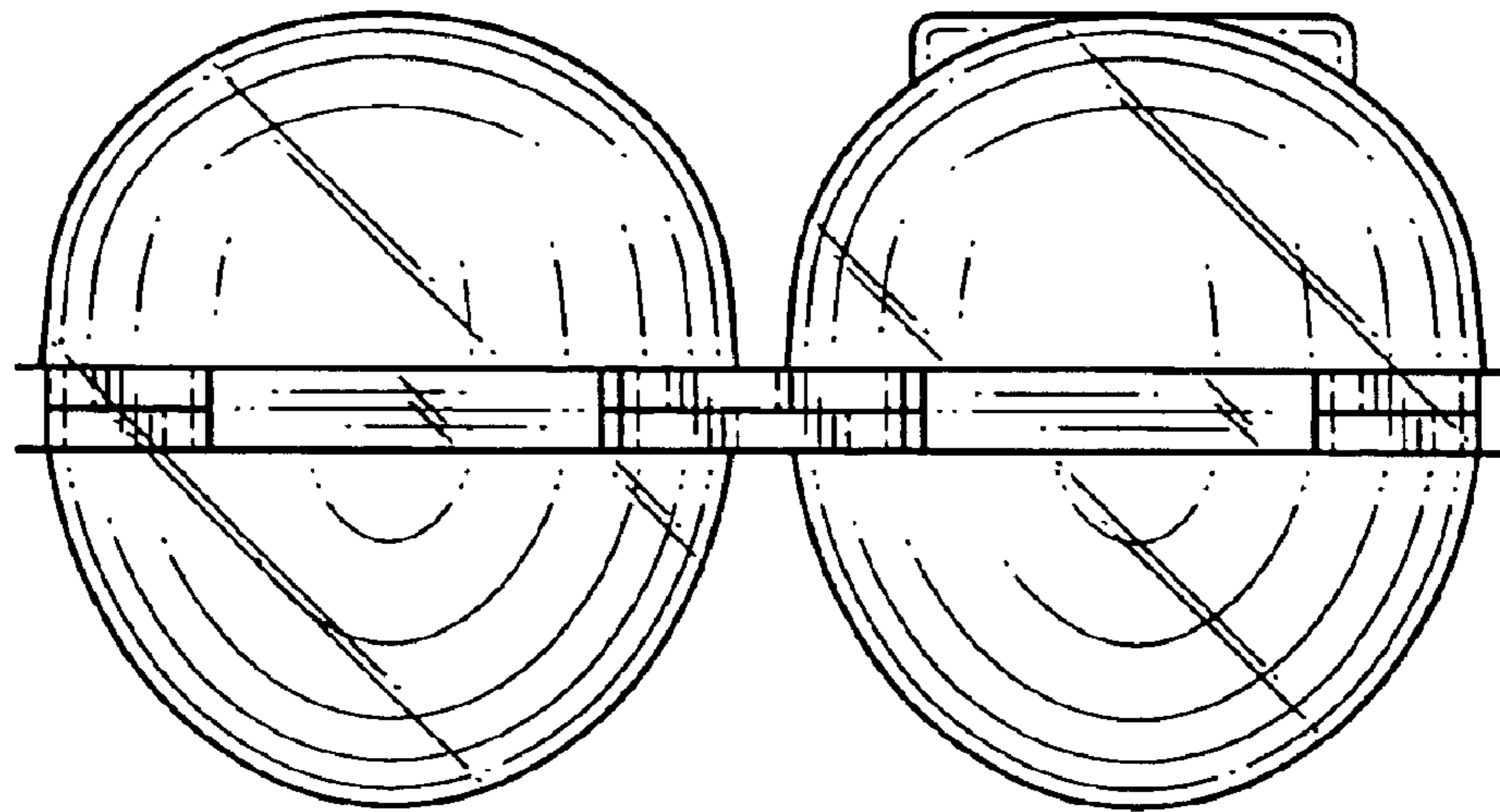


FIG. 5

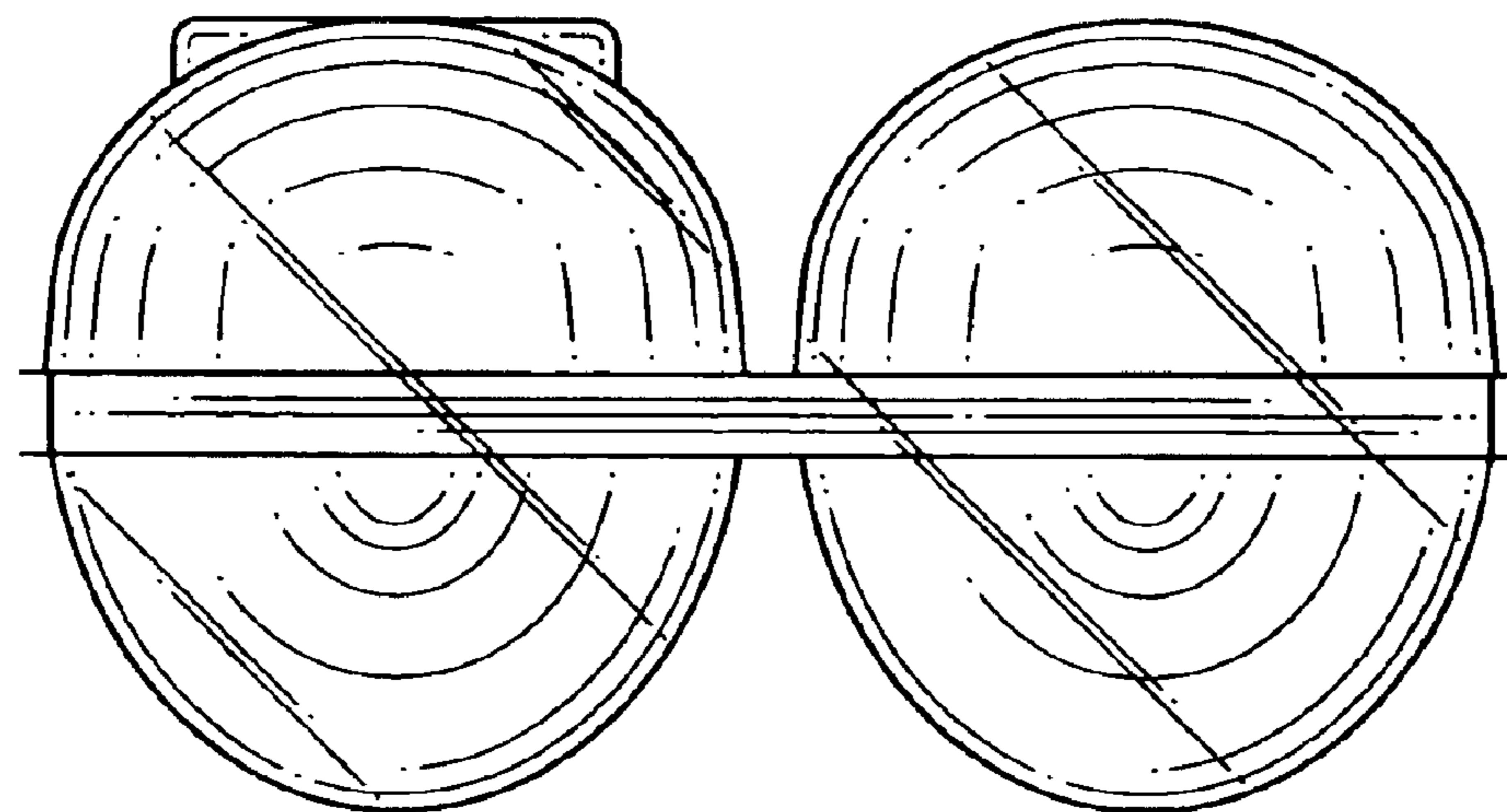


FIG. 6

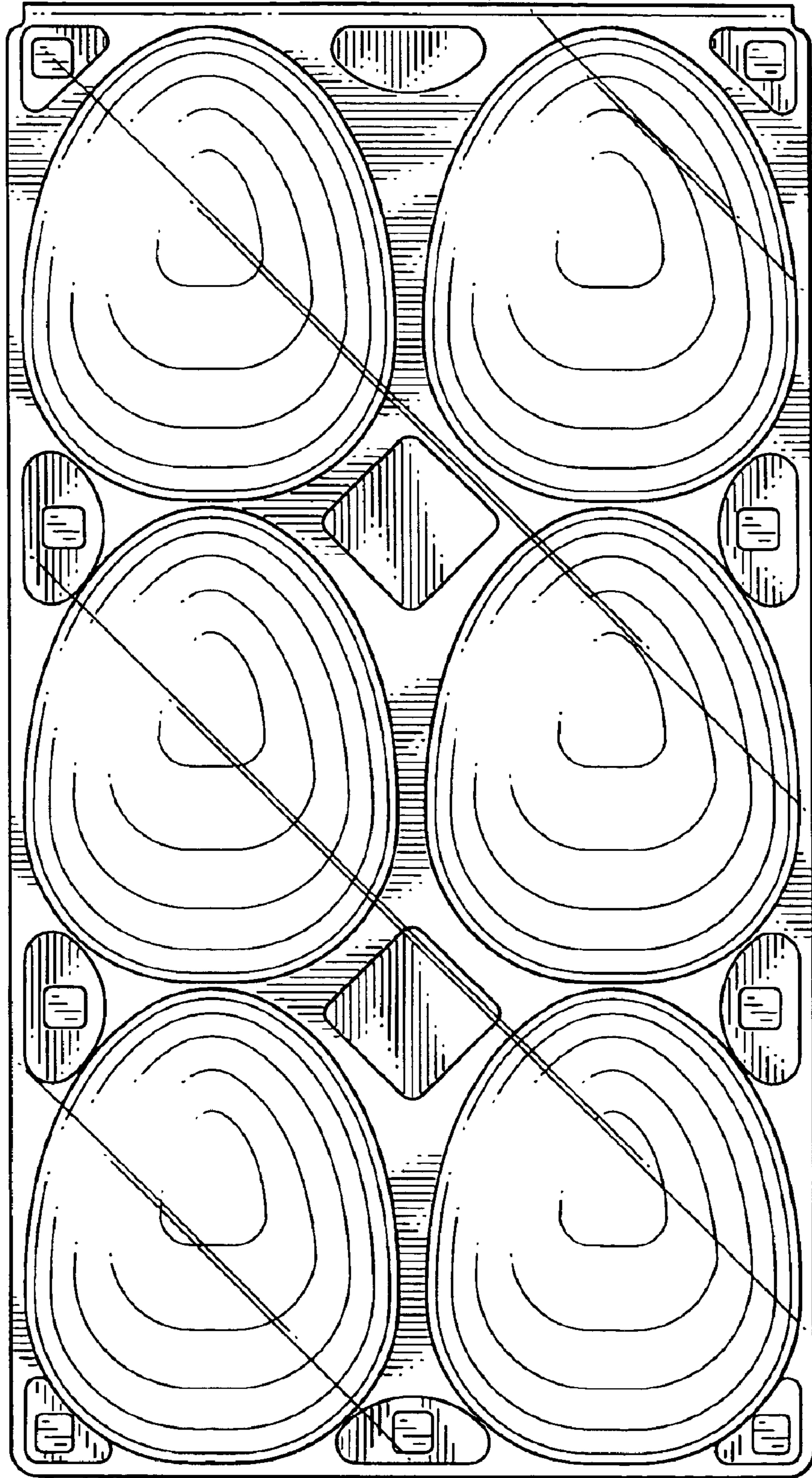


FIG. 7