

US00D506145S

(12) **United States Design Patent**  
**Sabey**

(10) **Patent No.:** **US D506,145 S**  
(45) **Date of Patent:** **\*\* Jun. 14, 2005**

(54) **BEVERAGE CONTAINER HOLDING DEVICE**

(75) Inventor: **David R. Sabey**, Park City, UT (US)

(73) Assignee: **Moab Brewers, LLC**, Park City, UT (US)

(\*\*) Term: **14 Years**

(21) Appl. No.: **29/193,838**

(22) Filed: **Nov. 14, 2003**

(51) **LOC (8) Cl.** ..... **09-03**

(52) **U.S. Cl.** ..... **D9/752**

(58) **Field of Search** ..... D9/751, 752, 416;  
294/87.2; 260/150

(56) **References Cited**

**U.S. PATENT DOCUMENTS**

3,214,016	A	*	10/1965	Glenn	.....	206/161
3,374,028	A	*	3/1968	Wanderer	.....	294/87.2
D237,465	S	*	11/1975	Calvert	.....	D9/752
D238,657	S	*	2/1976	Erickson	.....	D9/752
D242,325	S	*	11/1976	Olsen	.....	D9/752
D265,979	S	*	8/1982	Arfert	.....	D9/752
D270,428	S	*	9/1983	Arfert	.....	D9/752
D291,657	S	*	9/1987	Carr et al.	.....	D9/752

D486,732 S \* 2/2004 Borkoski ..... D9/430

\* cited by examiner

*Primary Examiner*—Mitchell Siegel

*Assistant Examiner*—Mark A. Goodwin

(74) *Attorney, Agent, or Firm*—Thorpe, North & Western, L.L.P.

(57) **CLAIM**

The ornamental design for a beverage container holding device, as shown and described.

**DESCRIPTION**

FIG. 1 is a top perspective view of a beverage container holding device showing my new design;

FIG. 2 is a top view thereof;

FIG. 3 is a front view thereof, in use condition;

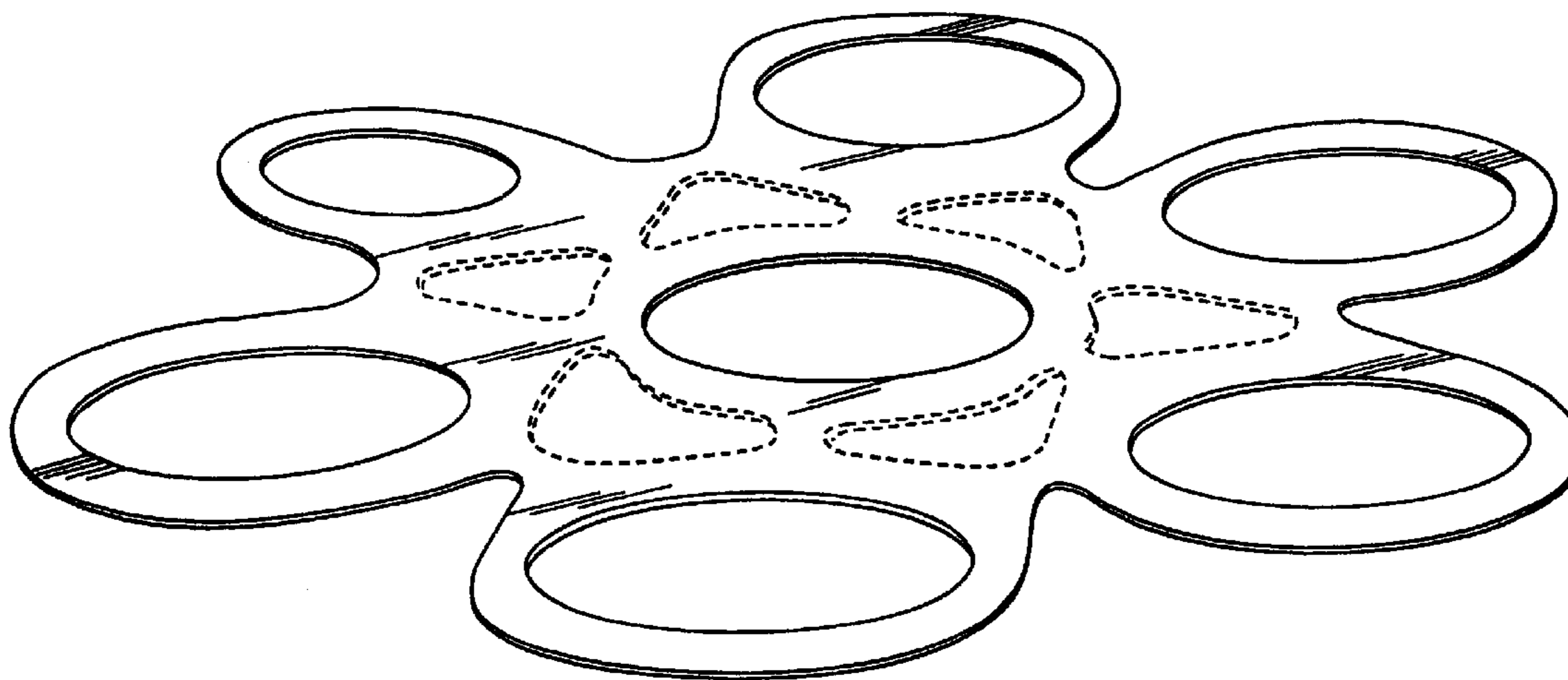
FIG. 4 is a side view thereof, in use condition; and,

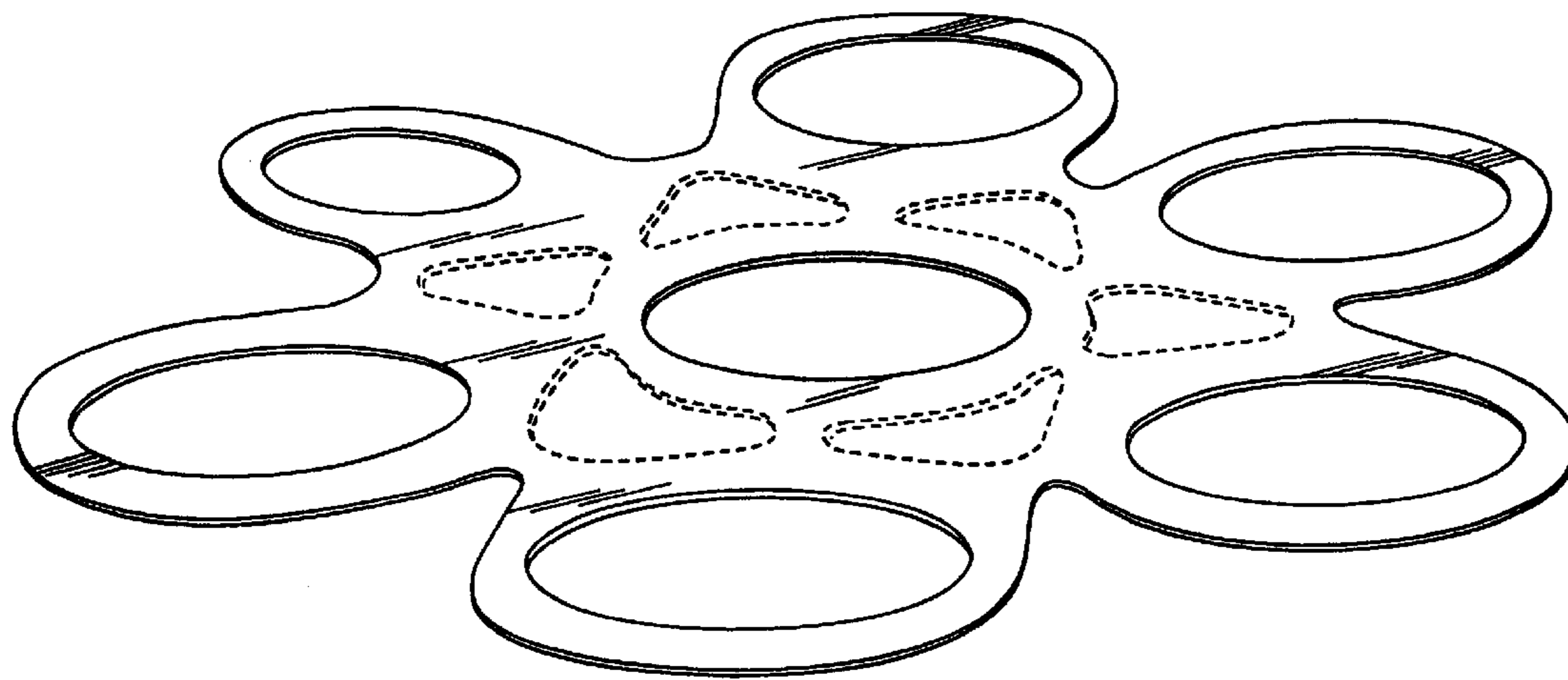
FIG. 5 is a top side perspective view thereof, showing the device in engaged condition.

The back of the invention is a mirror image of the front, the second side is a mirror image of the first side, and the bottom is a mirror image of the top.

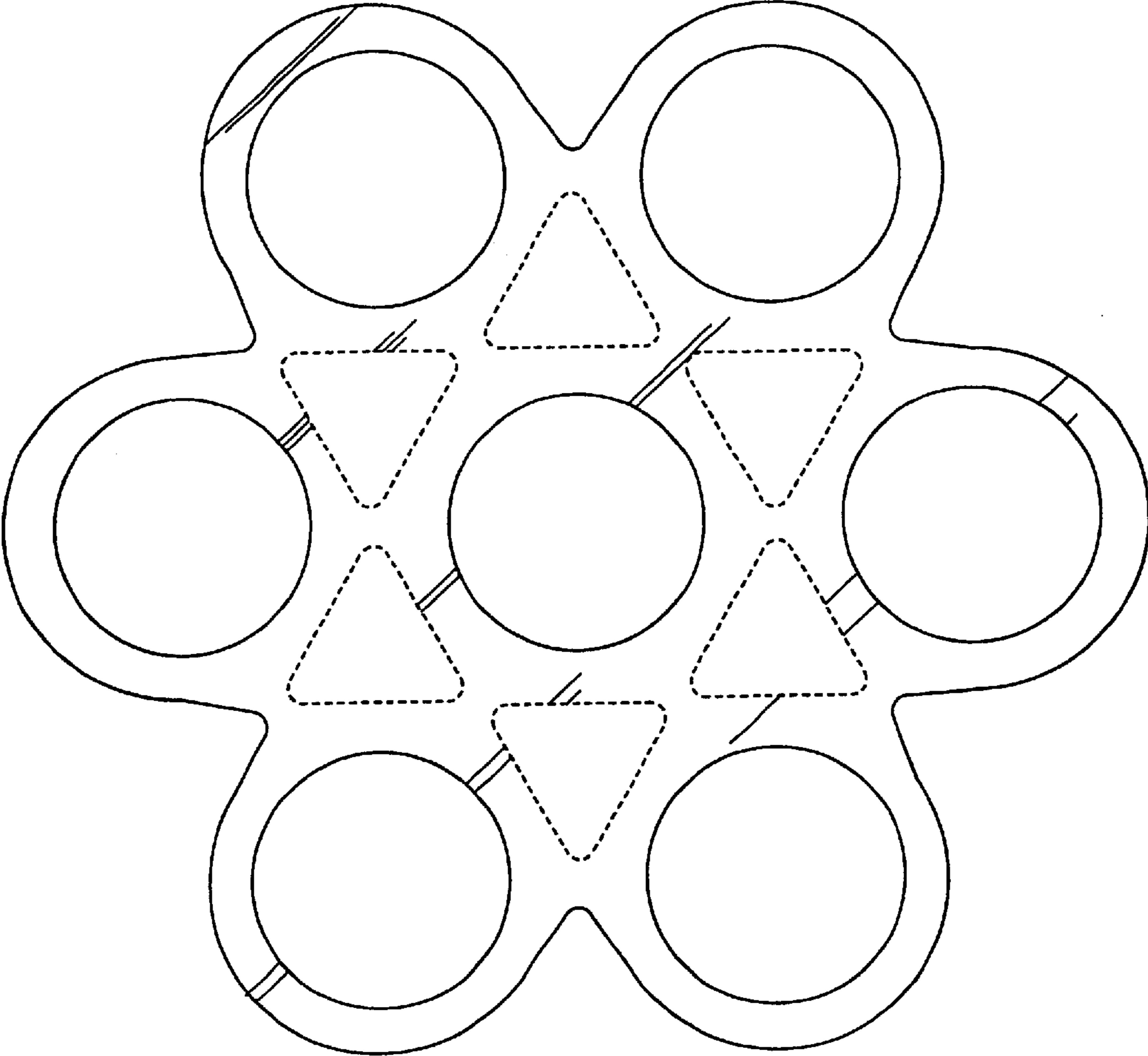
The phantom or broken line showing is for illustrative purposes only and forms no part of the claimed design.

**1 Claim, 5 Drawing Sheets**

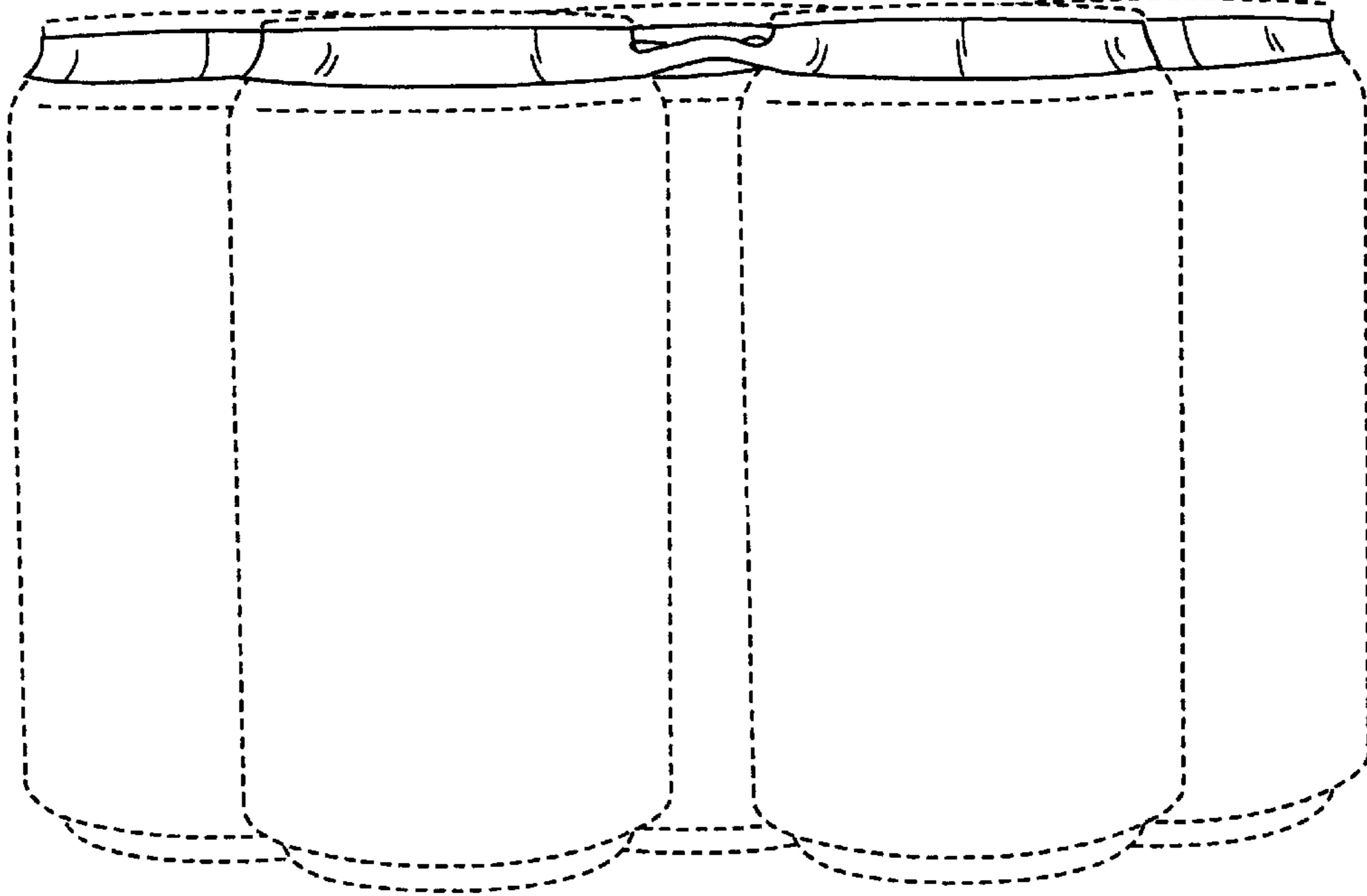




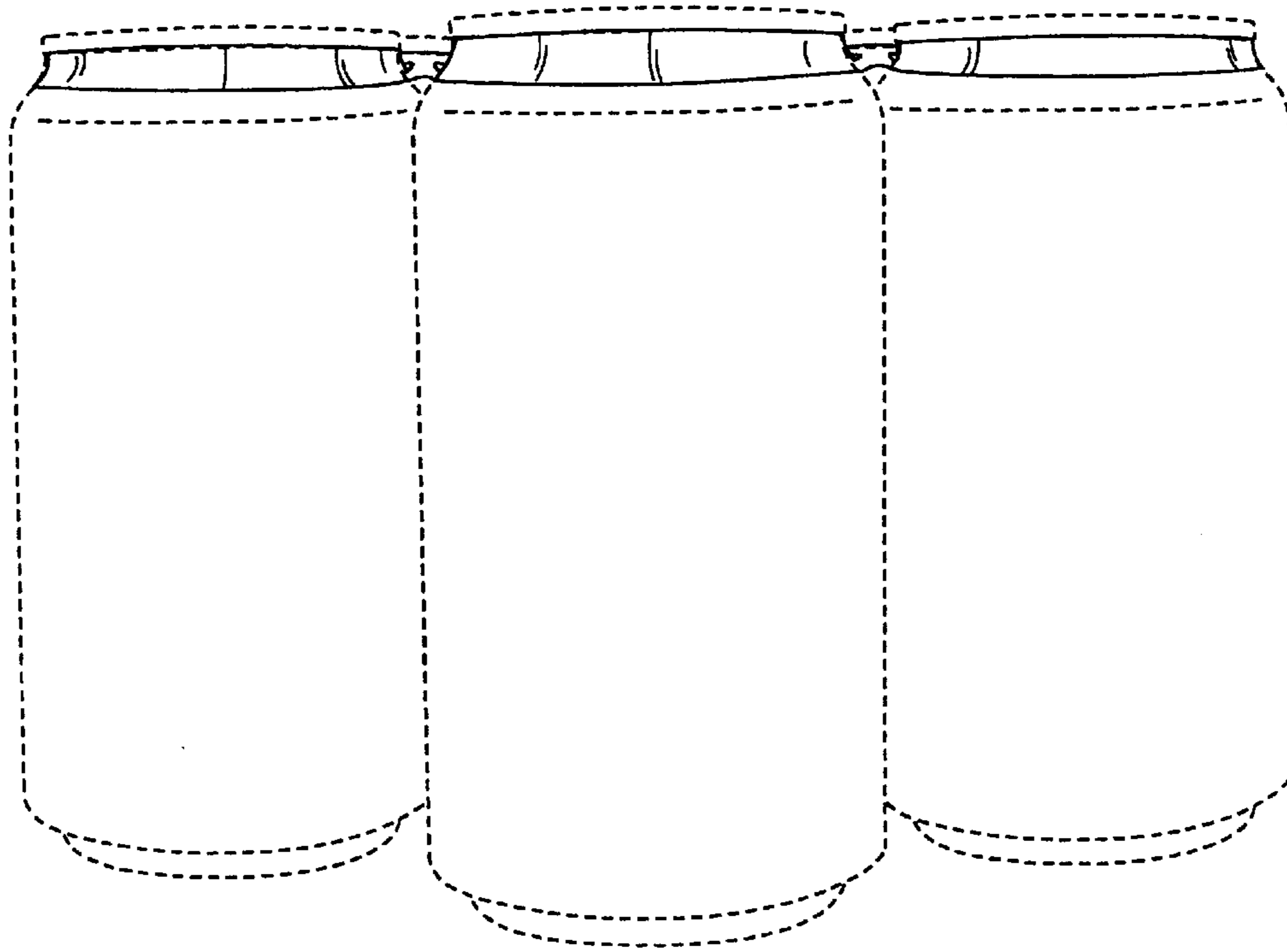
**Fig. 1**



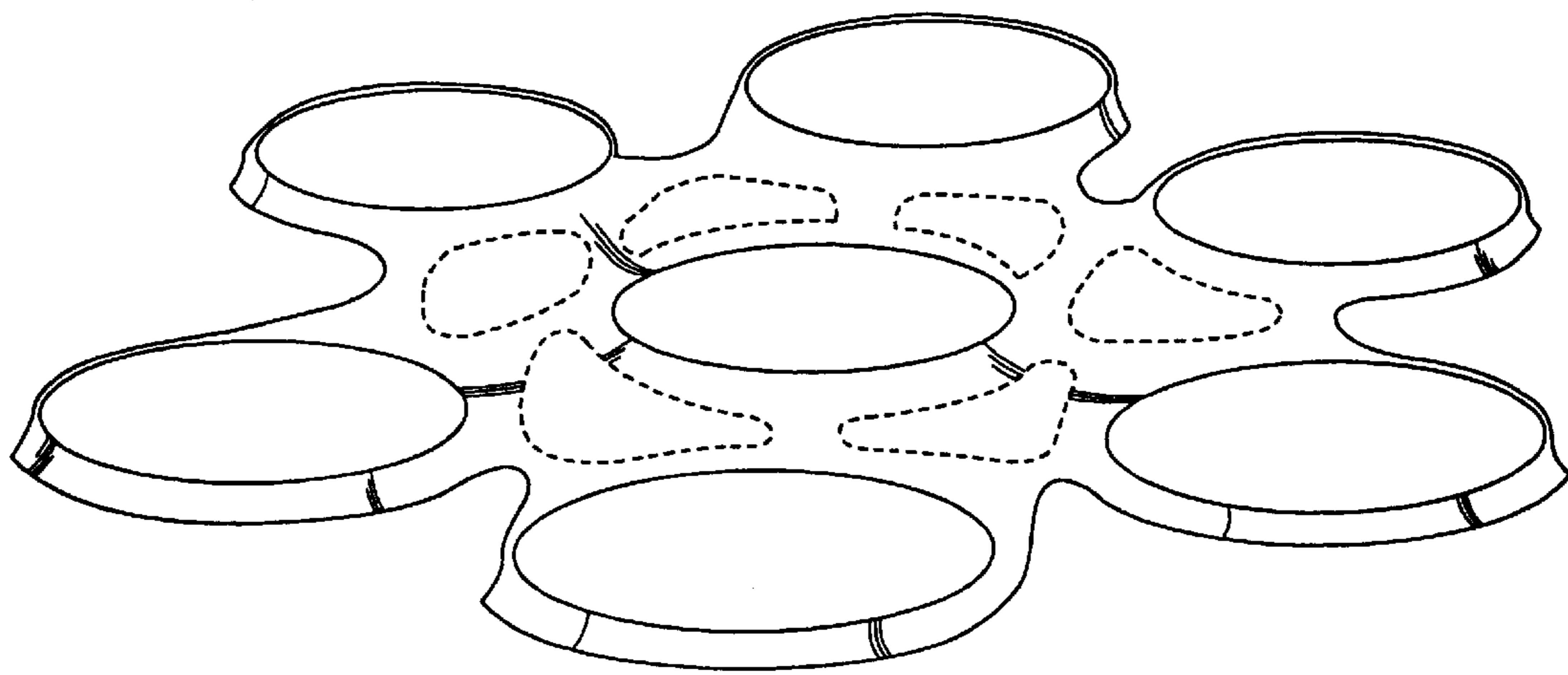
**Fig. 2**



**Fig. 3**



**Fig. 4**



**Fig. 5**