

US00D506141S

(12) **United States Design Patent**  
**Ames**

(10) **Patent No.:** **US D506,141 S**  
(45) **Date of Patent:** **\*\* Jun. 14, 2005**

(54) **CONTAINER**

(75) **Inventor:** **David Ames**, South Molton (GB)

(73) **Assignee:** **Techpack International** (FR)

(\*\*) **Term:** **14 Years**

(21) **Appl. No.:** **29/179,980**

(22) **Filed:** **Apr. 17, 2003**

(30) **Foreign Application Priority Data**

Oct. 17, 2002 (FR) ..... 02 6294

(51) **LOC (8) Cl.** ..... **09-01**

(52) **U.S. Cl.** ..... **D9/560; D9/565; D28/83**

(58) **Field of Search** ..... D9/516, 529, 544,  
D9/559, 560, 571-574, 414, 420, 423, 430,  
431, 514; D28/4-7, 76, 83, 78, 79, 91,  
91.1; D23/366; D26/9; 215/381-385, 396,  
398, 400; 222/206, 213; D3/294

(56) **References Cited**

**U.S. PATENT DOCUMENTS**

- D87,030 S \* 5/1932 Spitalny ..... D28/83
- D96,030 S \* 6/1935 Gage et al. .... D9/560
- D105,117 S \* 6/1937 Lux ..... D28/83
- D106,490 S \* 10/1937 Lux ..... D28/83
- D234,915 S \* 4/1975 Freedman ..... D9/572
- D302,604 S \* 8/1989 Bakic ..... D28/83
- D324,997 S \* 3/1992 Jones ..... D9/529

- D401,017 S \* 11/1998 Thorpe ..... D28/78
- D412,602 S \* 8/1999 Bakic ..... D28/83
- D438,675 S \* 3/2001 Nahum-Albright ..... D28/84
- D462,809 S \* 9/2002 LaSpina et al. .... D28/78
- D463,912 S \* 10/2002 Liebe ..... D3/294
- D478,689 S \* 8/2003 Thorpe ..... D28/83
- D479,016 S \* 8/2003 Sgariboldi ..... D28/78
- D498,678 S \* 11/2004 Ames ..... D9/529

**FOREIGN PATENT DOCUMENTS**

- GB 2010298 \* 2/1991
- LI 1050355 \* 11/1998

\* cited by examiner

*Primary Examiner*—Carol Rademaker

(74) *Attorney, Agent, or Firm*—Cantor Colburn LLP

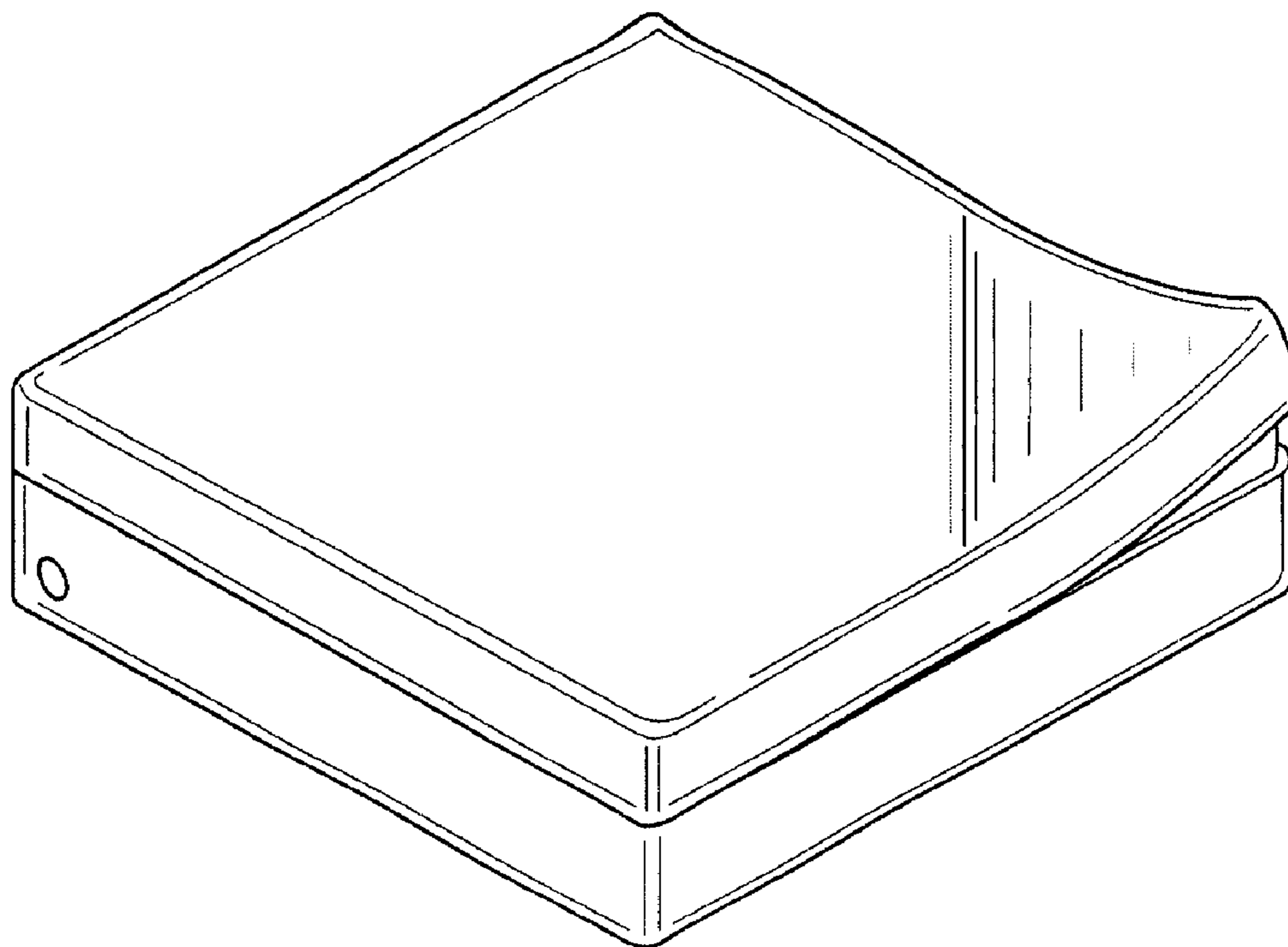
(57) **CLAIM**

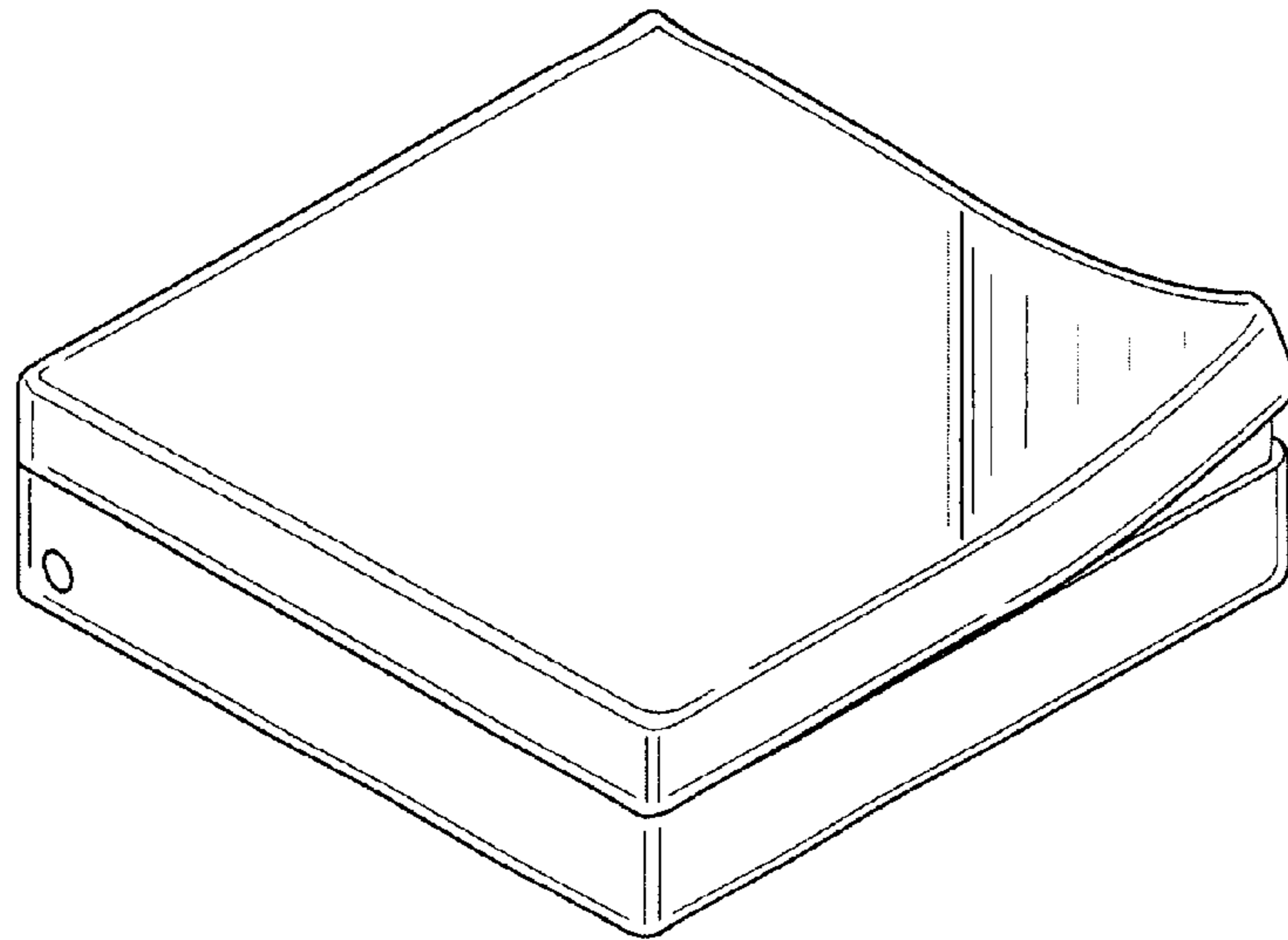
The ornamental design for a container, as shown and described.

**DESCRIPTION**

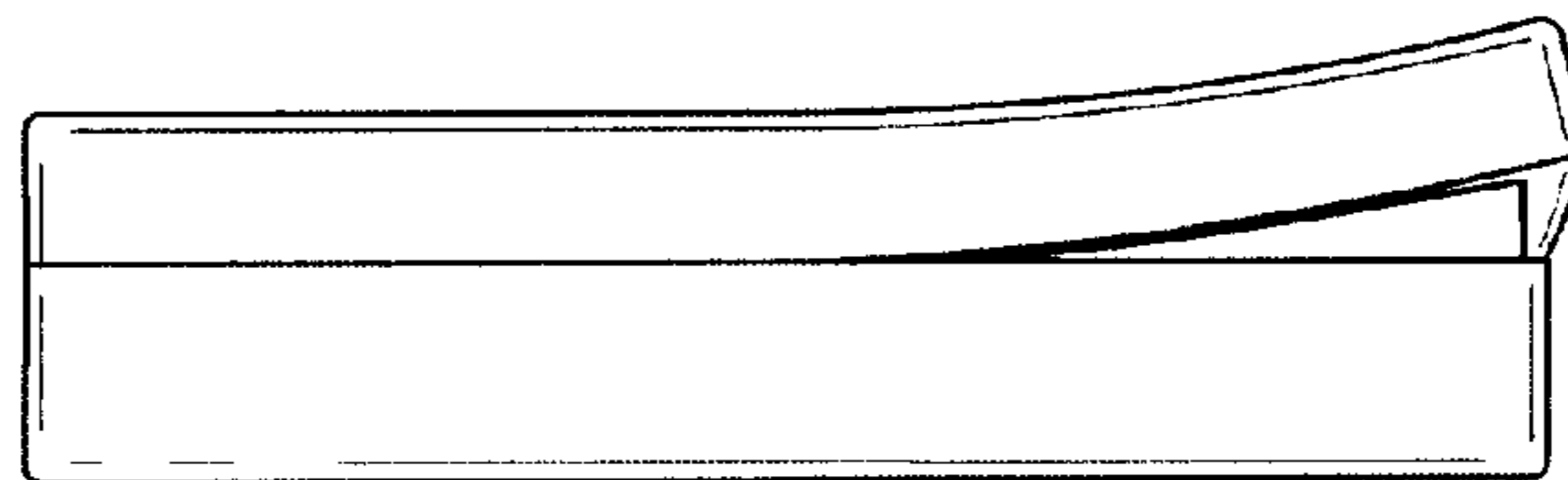
FIG. 1 is a top, front, and left side perspective view of a container, showing my new design;  
 FIG. 2 is a front elevational view thereof;  
 FIG. 3 is a right side elevational view thereof;  
 FIG. 4 is a top plan view thereof  
 FIG. 5 is a bottom plan view thereof;  
 FIG. 6 is a rear elevational view thereof; and,  
 FIG. 7 is a left side elevational view thereof.

**1 Claim, 3 Drawing Sheets**

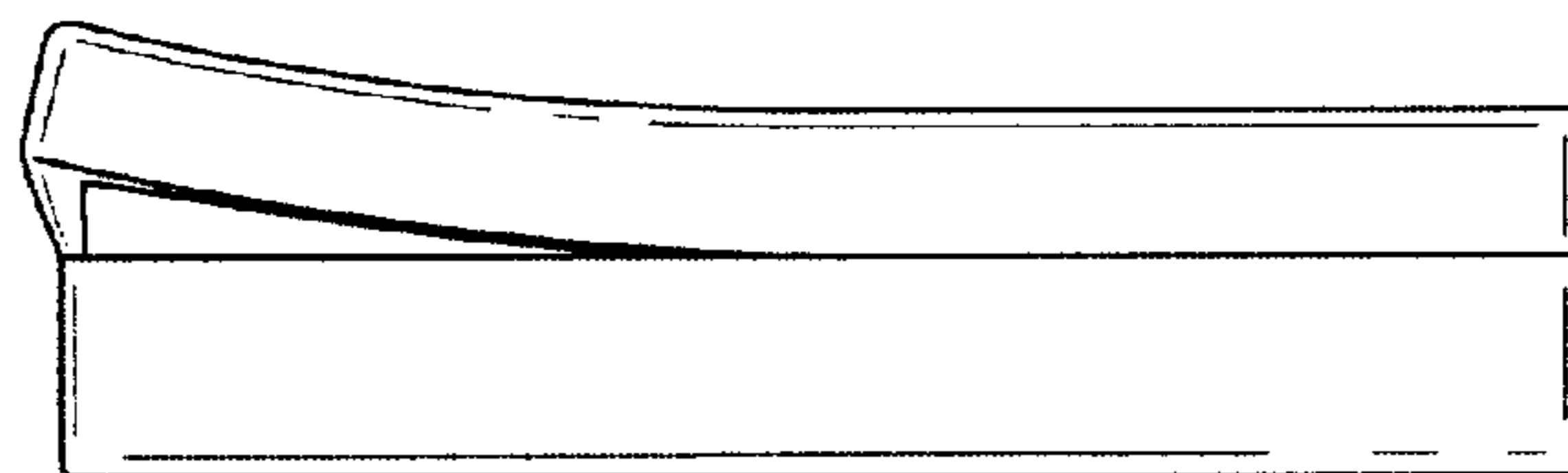




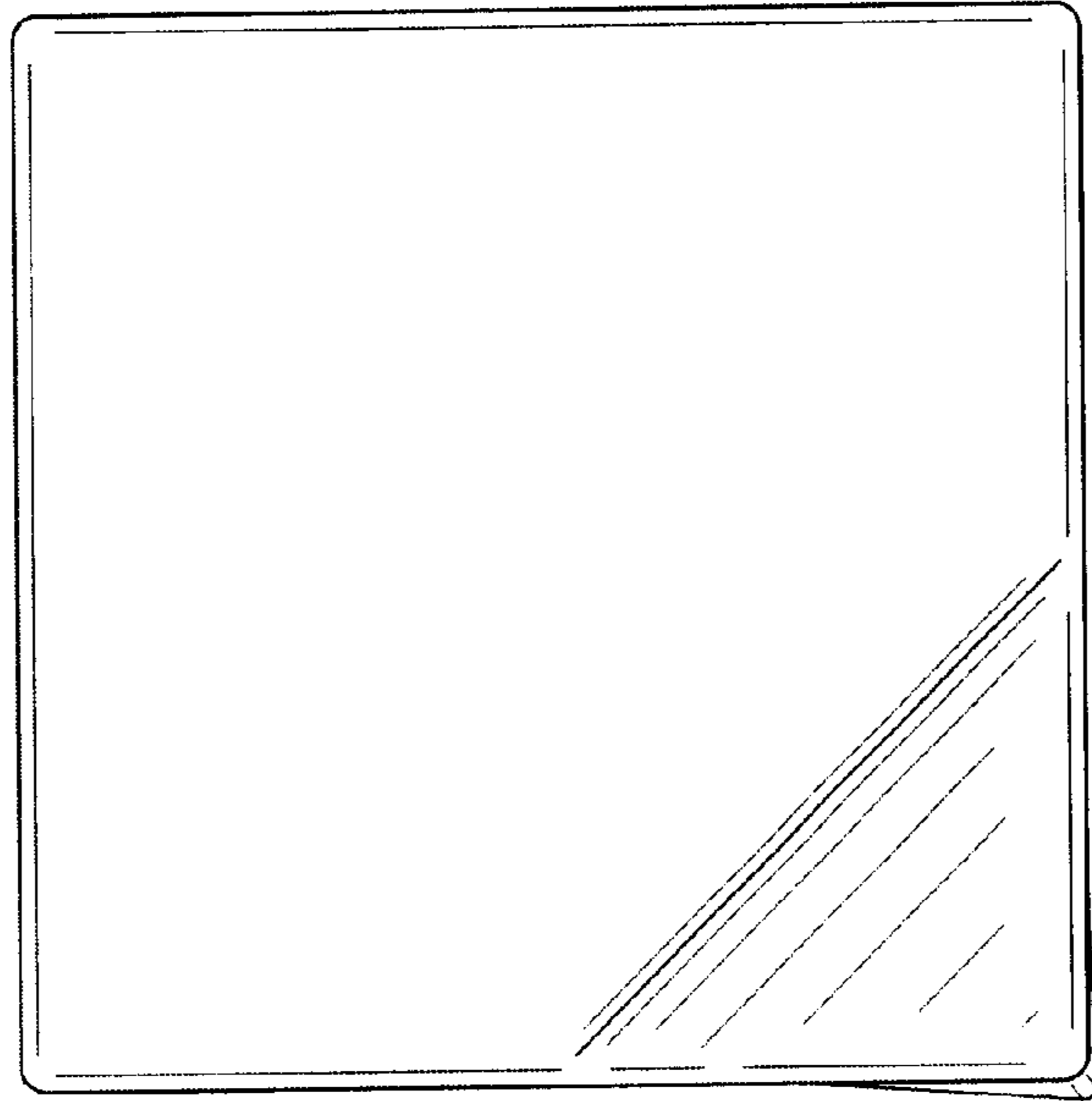
**FIGURE 1**



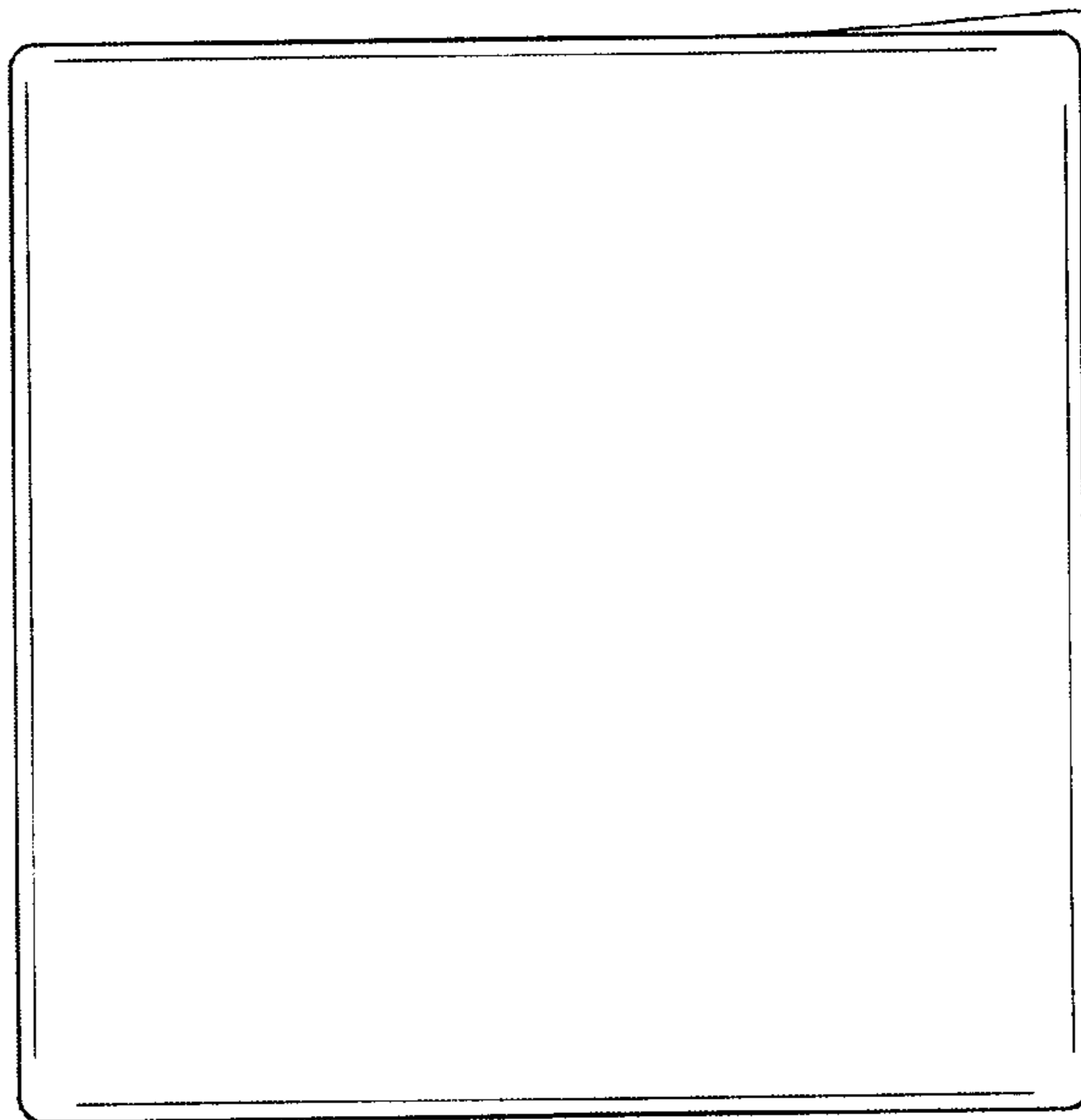
**FIGURE 2**



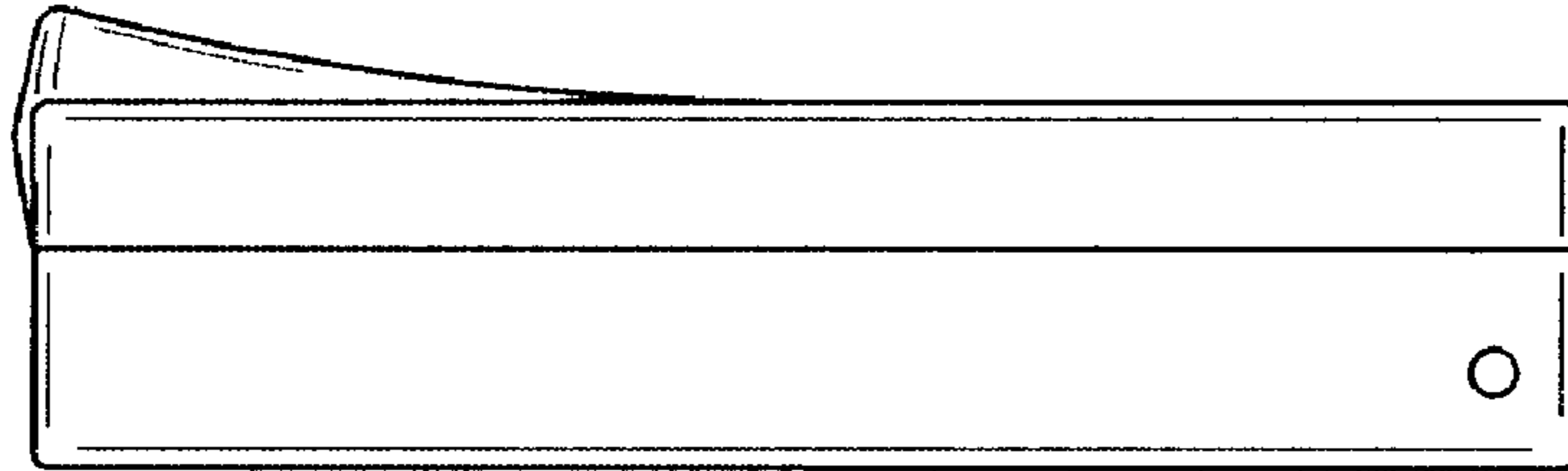
**FIGURE 3**



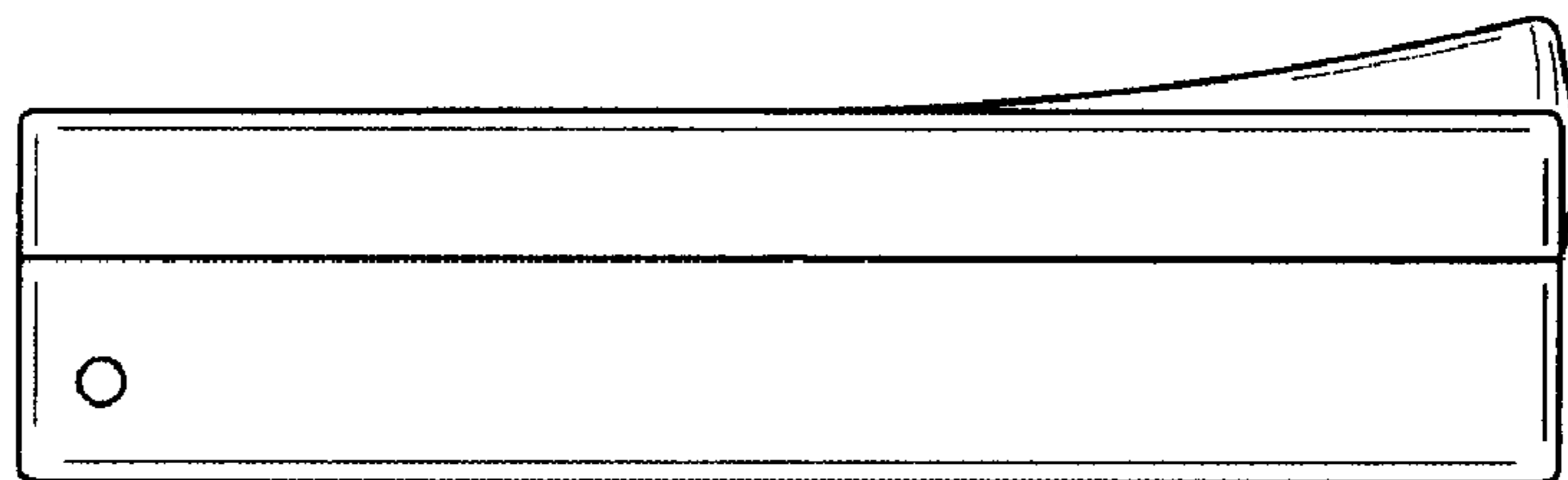
**FIGURE 4**



**FIGURE 5**



**FIGURE 6**



**FIGURE 7**