

US00D506139S

(12) **United States Design Patent**
Zboch et al.

(10) **Patent No.: US D506,139 S**
(45) **Date of Patent: ** Jun. 14, 2005**

(54) **BOTTLE PORTION**

(75) Inventors: **Gerald Zboch**, Barrington, IL (US);
Tracy M. Momany, Sylvania, OH (US);
Robert J. Groll, Oregon, OH (US)

(73) Assignee: **Stokely-Van Camp, Inc.**, Chicago, IL (US)

(**) Term: **14 Years**

(21) Appl. No.: **29/190,386**

(22) Filed: **Sep. 19, 2003**

(51) **LOC (8) Cl.** **09-01**

(52) **U.S. Cl.** **D9/539; D9/552; D9/554; D9/556**

(58) **Field of Search** D9/500, 502, 516,
D9/537-541, 549-554, 556-558, 560, 563-567,
569-570, 574-575, 636, 643, 645, 655,
657-658, 661, 664-665; 215/382-384,
396, 398, 400

(56) **References Cited**

U.S. PATENT DOCUMENTS

| | | | |
|--------------|-----------|---------------------|----------------|
| D67,464 S | 6/1925 | Johnson | |
| D96,106 S | 7/1935 | Fuerst | |
| D188,133 S | 6/1960 | Bindman | |
| D345,693 S | * 4/1994 | Edstrom | D9/553 X |
| 5,704,503 A | * 1/1998 | Krishnakumar et al. | 215/382 X |
| D393,802 S | * 4/1998 | Collette et al. | D9/538 |
| D403,243 S | * 12/1998 | Takeuchi et al. | D9/532 |
| D404,311 S | * 1/1999 | Zimmer et al. | D9/552 |
| D412,849 S | * 8/1999 | Fuquen et al. | D9/542 |
| D414,112 S | 9/1999 | Waggaman et al. | |
| D417,156 S | 11/1999 | Veysiere | |
| D423,940 S | * 5/2000 | Chimetto | D9/541 |
| D424,948 S | * 5/2000 | Ullmo | D9/540 |
| D430,036 S | 8/2000 | Steward et al. | |
| D432,018 S | 10/2000 | Steward | |
| D434,330 S | * 11/2000 | Rowe et al. | D9/538 |
| D447,061 S | 8/2001 | Peck | |
| D463,292 S | 9/2002 | Del Bianco | |
| 6,581,794 B2 | * 6/2003 | Boukobza | 215/383 |

| | | | |
|------------|----------|-----------------|--------------|
| D491,071 S | * 6/2004 | Degeyter et al. | D9/565 |
| D493,370 S | * 7/2004 | Kamineni et al. | D9/552 |
| D494,473 S | * 8/2004 | Yourist | D9/516 |
| D496,280 S | * 9/2004 | Mero et al. | D9/538 |

FOREIGN PATENT DOCUMENTS

| | | |
|----|-----------|----------|
| WO | DM/047535 | * 3/1999 |
| WO | DM/052622 | * 6/2000 |
| WO | DM/059103 | * 4/2001 |
| WO | DM/062865 | * 1/2003 |

* cited by examiner

Primary Examiner—Carol Rademaker

(74) *Attorney, Agent, or Firm*—Lars S. Johnson; James D. Ryndak

(57) **CLAIM**

The ornamental design for a bottle portion, as shown and described.

DESCRIPTION

FIG. 1 is a perspective view showing the new design for a bottle portion;

FIG. 2 is a front elevation view thereof, the rear elevational view being identical except for the unclaimed threads;

FIG. 3 is a left side elevation view thereof, the right side elevational view being identical except for the unclaimed threads;

FIG. 4 is a top plan view thereof;

FIG. 5 is a bottom plan view thereof;

FIG. 6 is a perspective view showing a second embodiment of the new design for a bottle portion;

FIG. 7 is a front elevation view thereof, the rear elevational view being identical except for the unclaimed threads;

FIG. 8 is a left side elevation view thereof, the right side elevational view being identical except for the unclaimed threads;

FIG. 9 is a top plan view thereof; and,

FIG. 10 is a bottom plan view thereof.

The stipple shading shown on the dome of the bottle portion in the FIGS. 1-4 drawing views represents a textured, transparent surface. The broken line showing in the drawing figures is for environmental purposes only and forms no part of the claimed design.

1 Claim, 4 Drawing Sheets

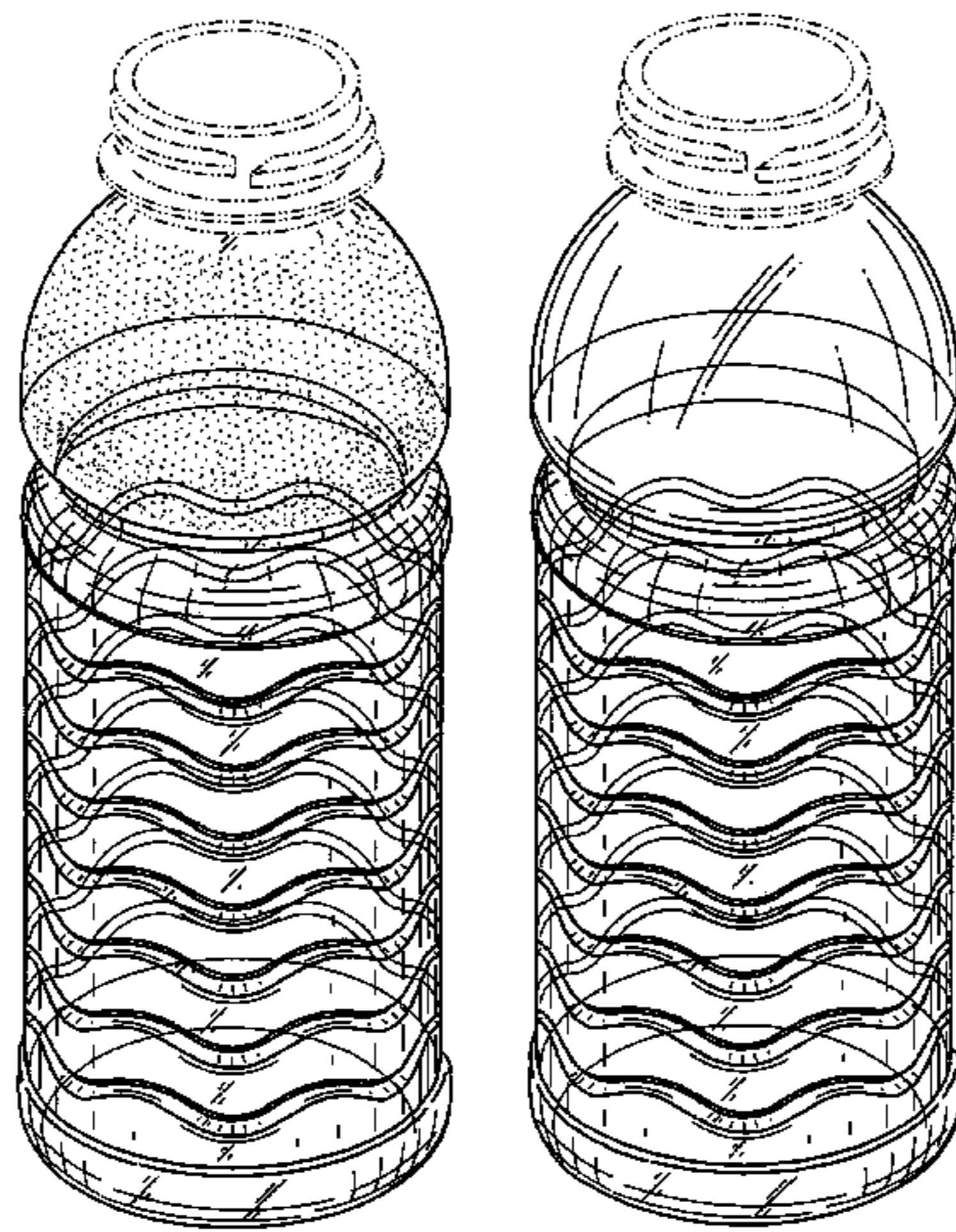


FIG. 1

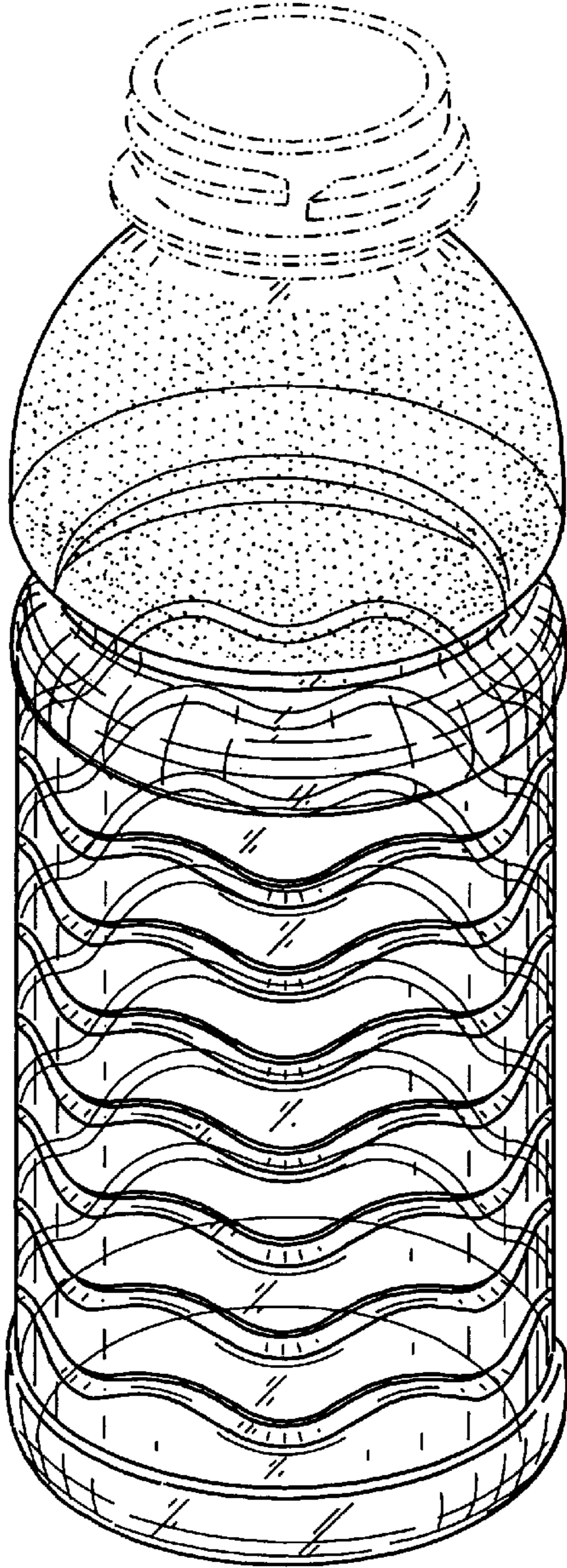


FIG. 2

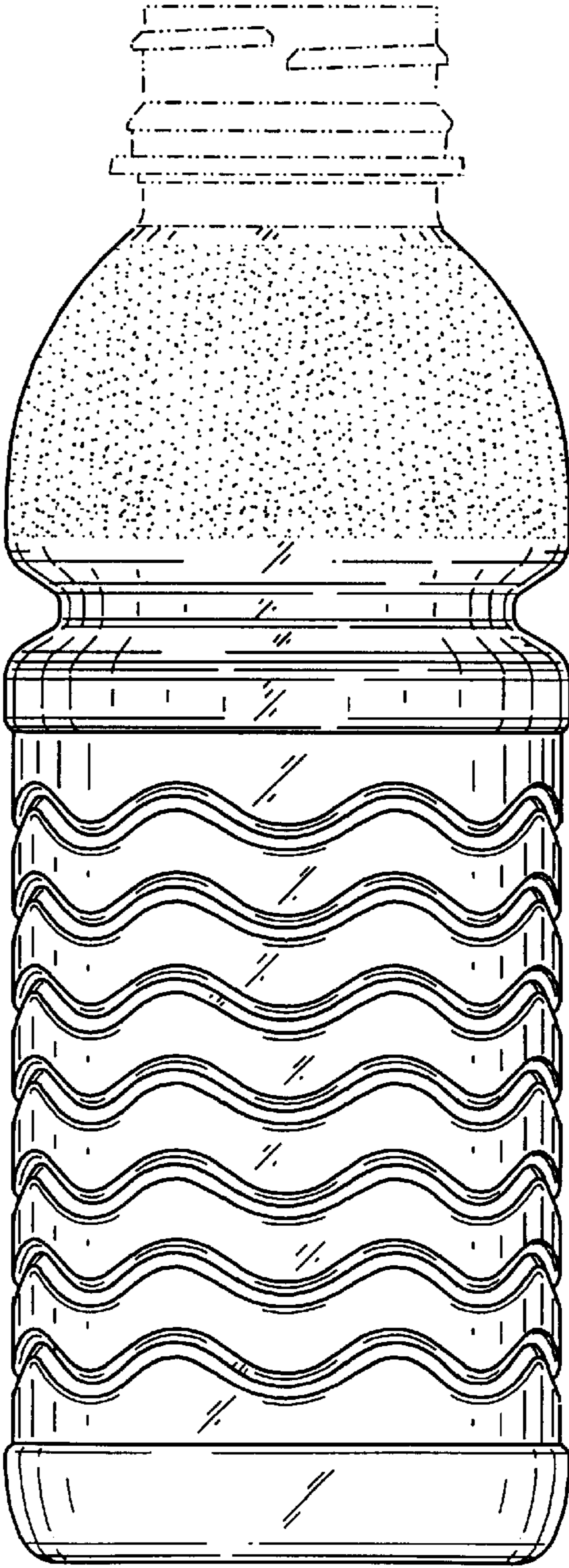


FIG. 3

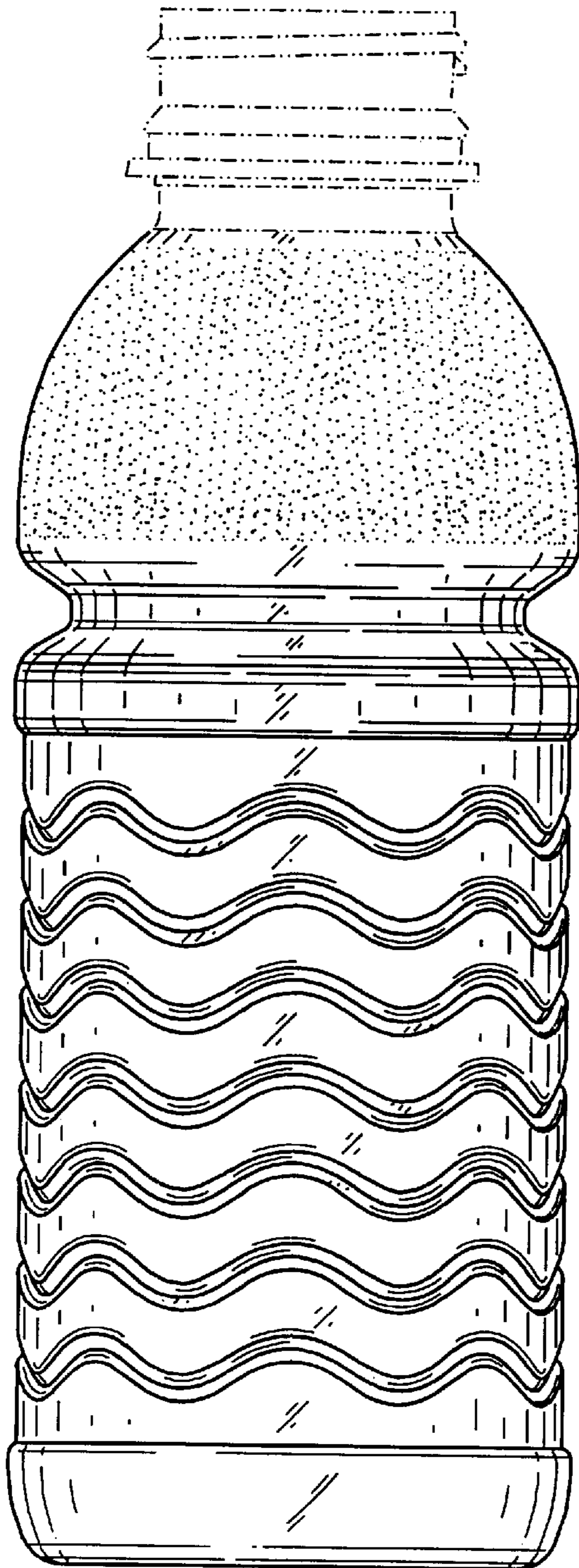


FIG. 4

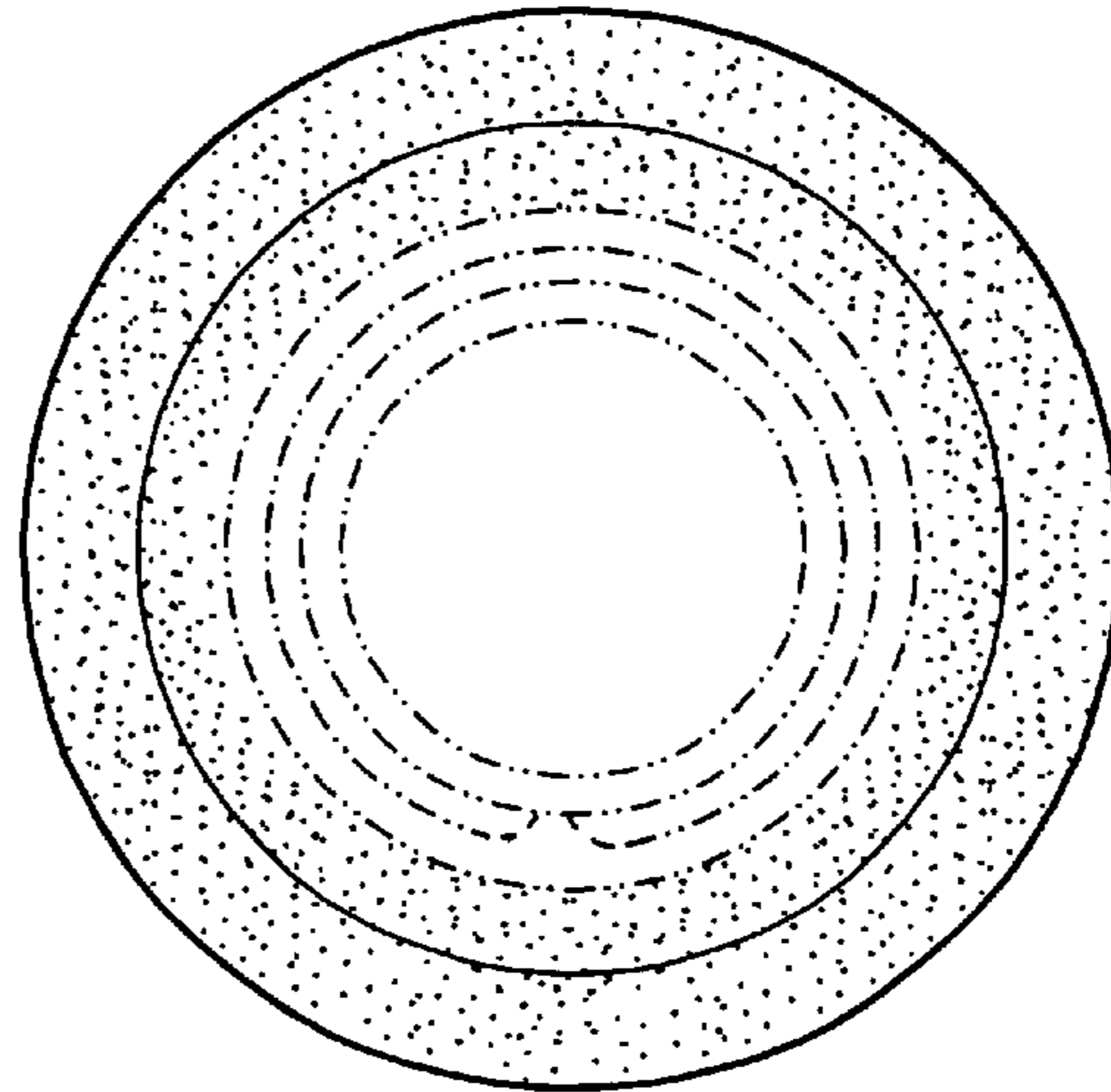


FIG. 5

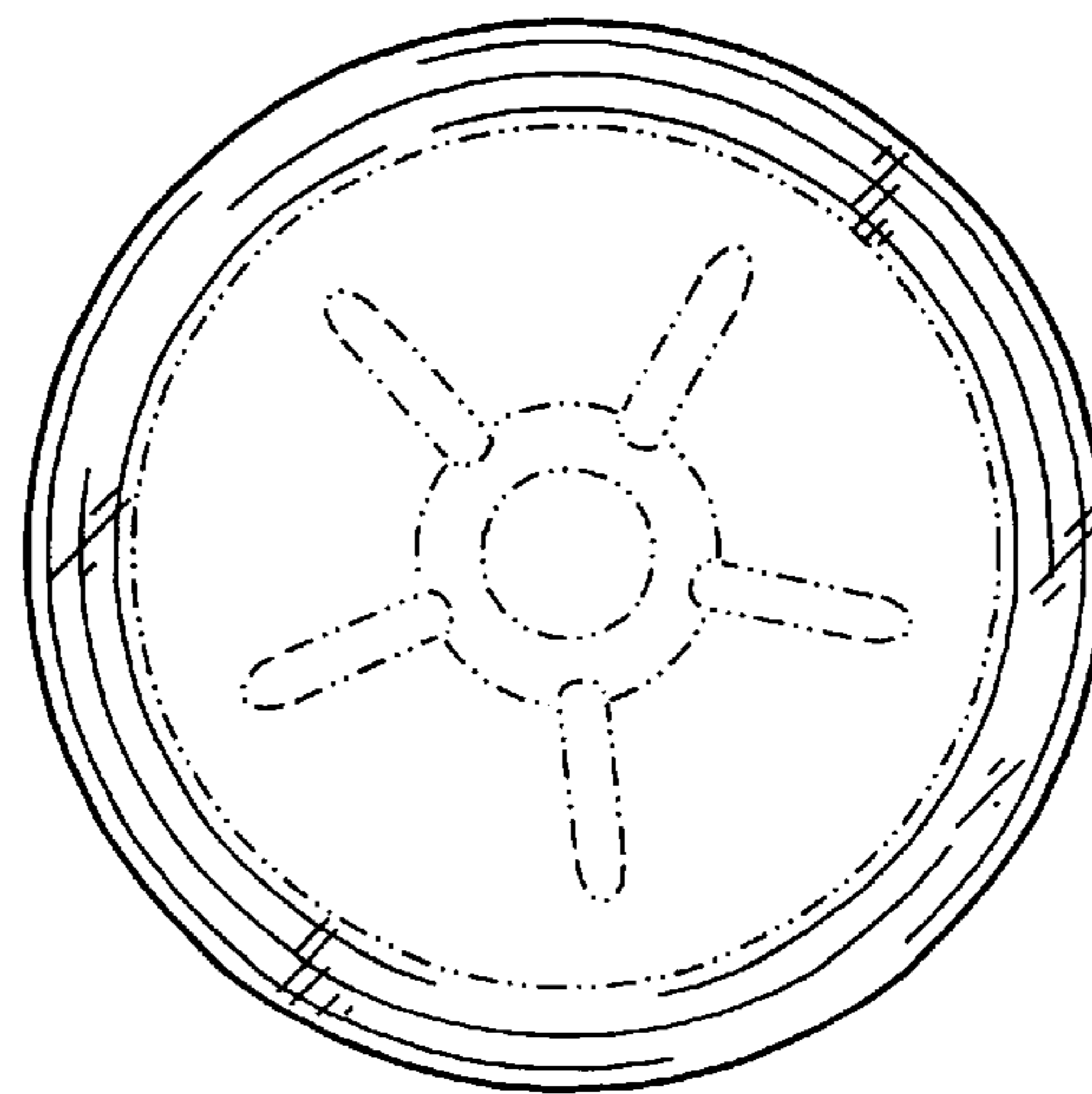


FIG. 6

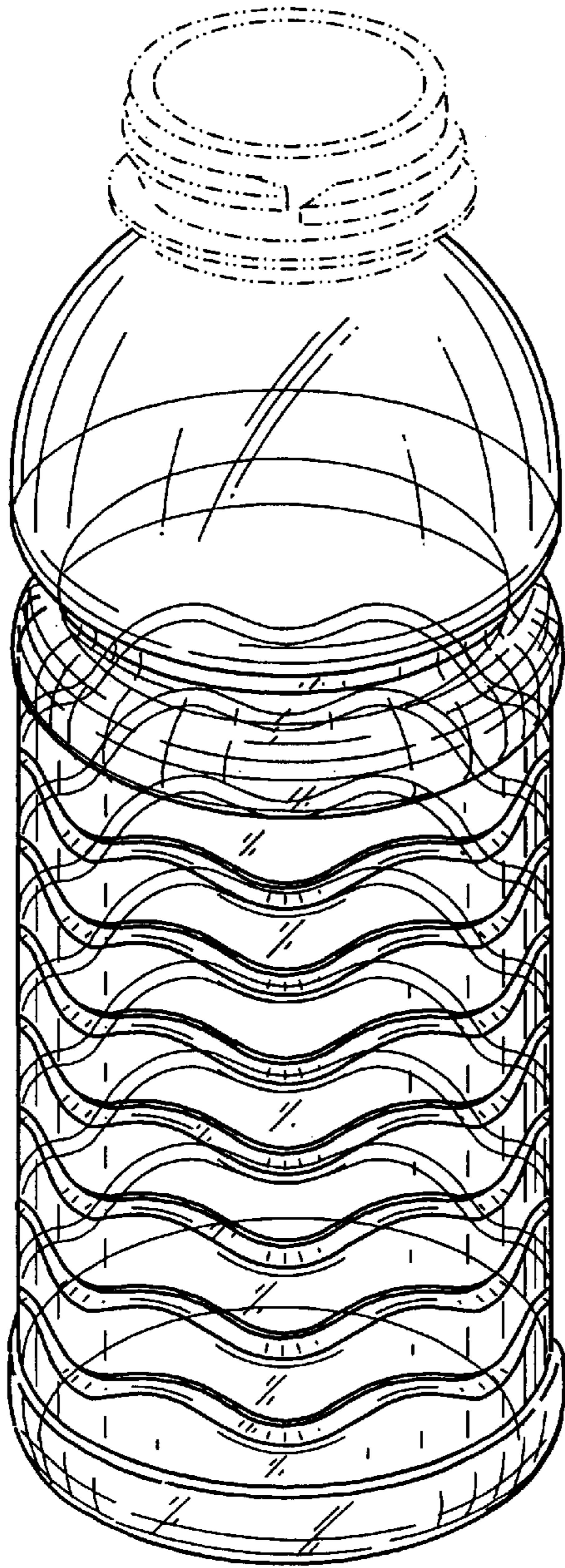


FIG. 7

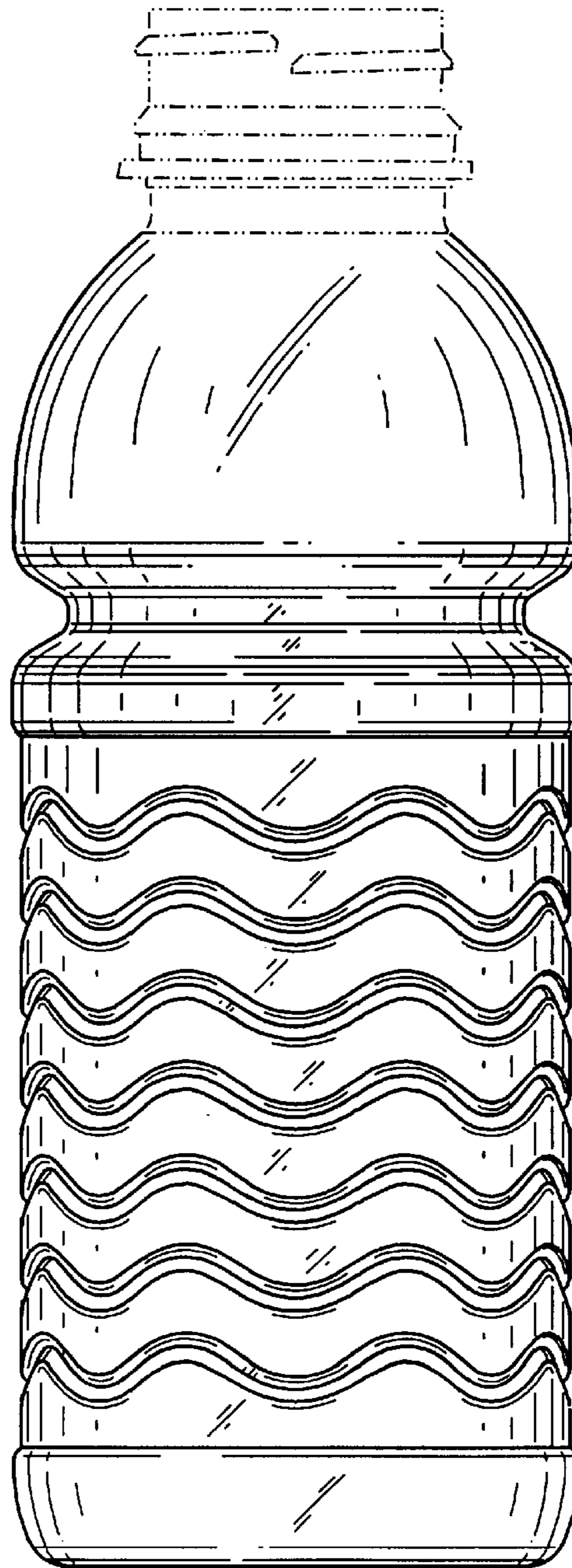


FIG. 8

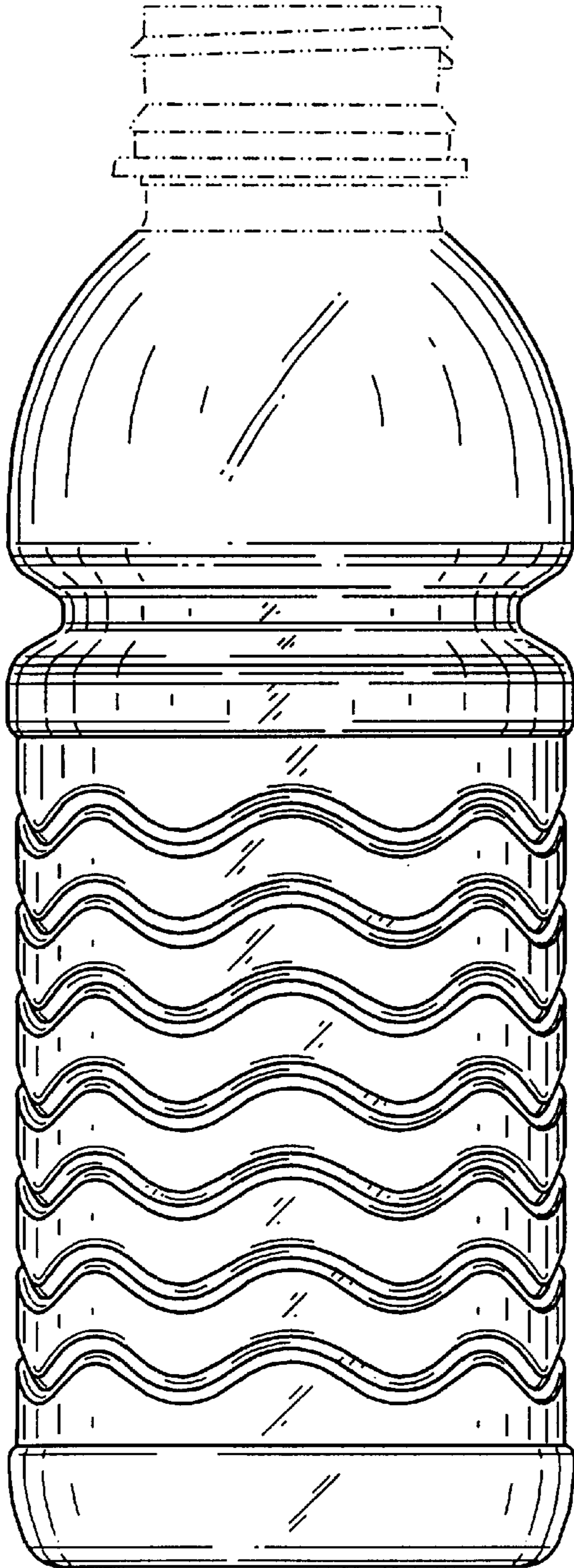


FIG. 9

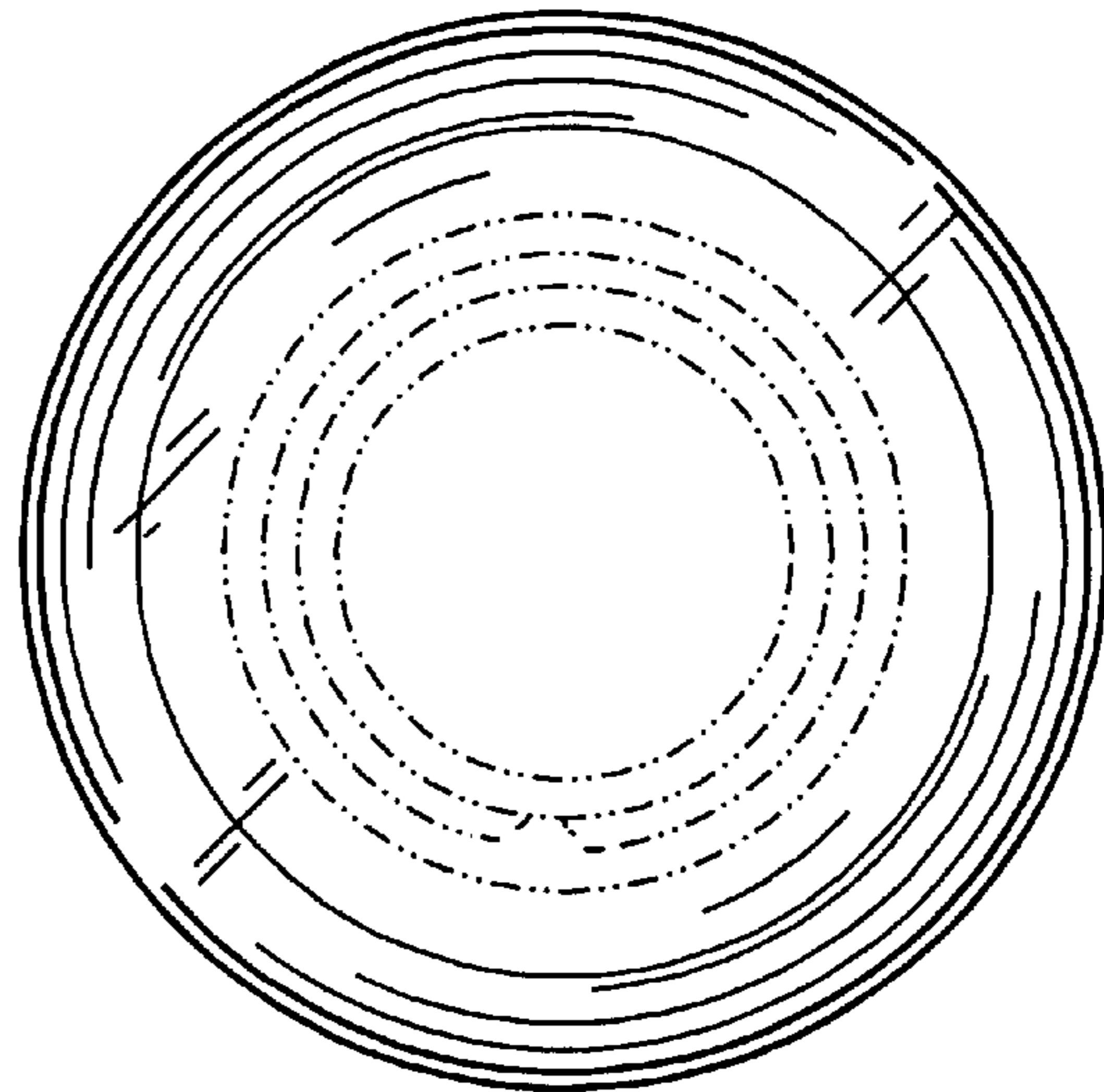


FIG. 10

