



US00D506137S

(12) **United States Design Patent**  
**Durivage**

(10) **Patent No.: US D506,137 S**  
(45) **Date of Patent: \*\* Jun. 14, 2005**

(54) **FLUID CONTAINER**

(76) **Inventor: Gary A. Durivage**, 1345 N.  
Elliston-Trowbridge Rd., Graytown, OH  
(US) 43432

(\*\*) **Term: 14 Years**

(21) **Appl. No.: 29/211,080**

(22) **Filed: Aug. 11, 2004**

**Related U.S. Application Data**

(62) Division of application No. 29/189,508, filed on Sep. 5,  
2003, now abandoned.

(51) **LOC (8) Cl. .... 09-03**

(52) **U.S. Cl. .... D9/527**

(58) **Field of Search** ..... D9/527, 516, 522-524,  
D9/526-528, 531, 533, 543, 573-575; 215/385,  
396; 220/675

(56) **References Cited**

**U.S. PATENT DOCUMENTS**

1,257,119 A	2/1918	Reynolds	
2,387,270 A	10/1945	Johnson	
D205,166 S	* 6/1966	Price	D9/527
D206,357 S	* 11/1966	Sullivan	D9/341
D220,470 S	* 4/1971	Lewis	D9/337
3,940,002 A	2/1976	Schiemann	
D271,113 S	* 10/1983	Birkeland et al.	D18/43
4,488,584 A	12/1984	Hestehave et al.	
4,609,106 A	9/1986	Gentili	
4,658,975 A	* 4/1987	Cone	215/385
D289,976 S	5/1987	Humphries	
4,781,314 A	11/1988	Schoonover et al.	
4,819,833 A	4/1989	Huddleston et al.	

D303,355 S	* 9/1989	Fick	D9/521
4,903,854 A	2/1990	Schiemann et al.	
4,923,098 A	* 5/1990	Schoonover et al.	222/456.1
D322,933 S	* 1/1992	Hutchison	D9/337
D325,871 S	* 5/1992	Hestehave et al.	D9/520
D358,097 S	* 5/1995	Leibowitz	D9/527
6,050,455 A	* 4/2000	Soehnlén et al.	222/185.1
D433,635 S	11/2000	Chrisco et al.	
D433,945 S	11/2000	Denison	
D454,789 S	3/2002	Harvey et al.	
D475,629 S	6/2003	Schlueter	
6,572,978 B1	6/2003	Bagley	
D478,009 S	* 8/2003	Kleckauskas et al.	D9/531

**FOREIGN PATENT DOCUMENTS**

EP	0457121 A1	11/1991
JP	06199350 A	7/1994

\* cited by examiner

*Primary Examiner*—Stella Reid  
*Assistant Examiner*—Daniel Bui  
(74) *Attorney, Agent, or Firm*—Fraser Martin Buchanan  
Miller LLC; Donald R. Fraser

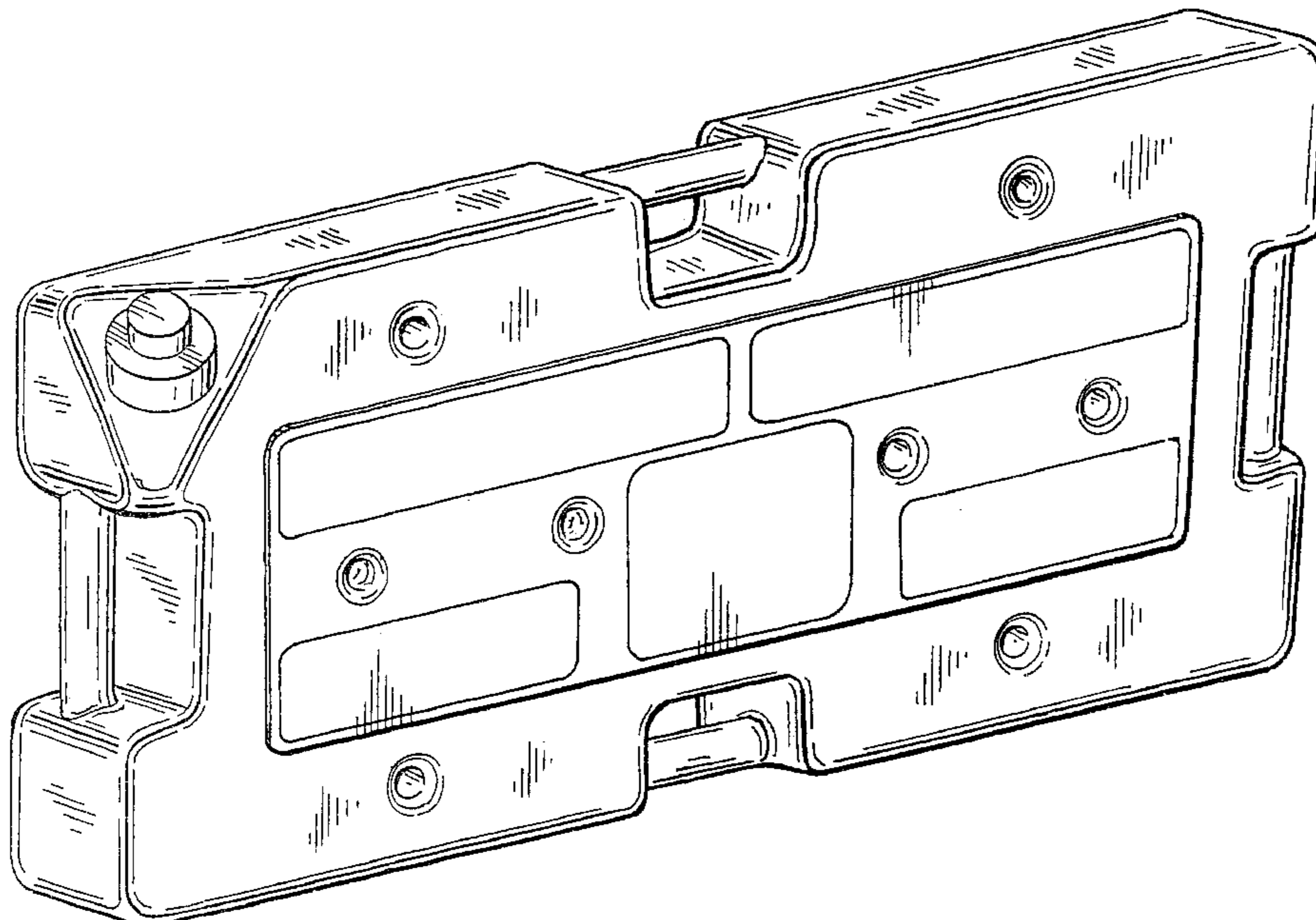
(57) **CLAIM**

The ornamental design for a fluid container, as shown and described.

**DESCRIPTION**

FIG. 1 is a perspective view of a fluid container, showing my new design;  
FIG. 2 is a front elevation view thereof;  
FIG. 3 is a rear elevation view thereof;  
FIG. 4 is a left side elevation view thereof; and,  
FIG. 5 is a right side elevation view thereof.

**1 Claim, 4 Drawing Sheets**



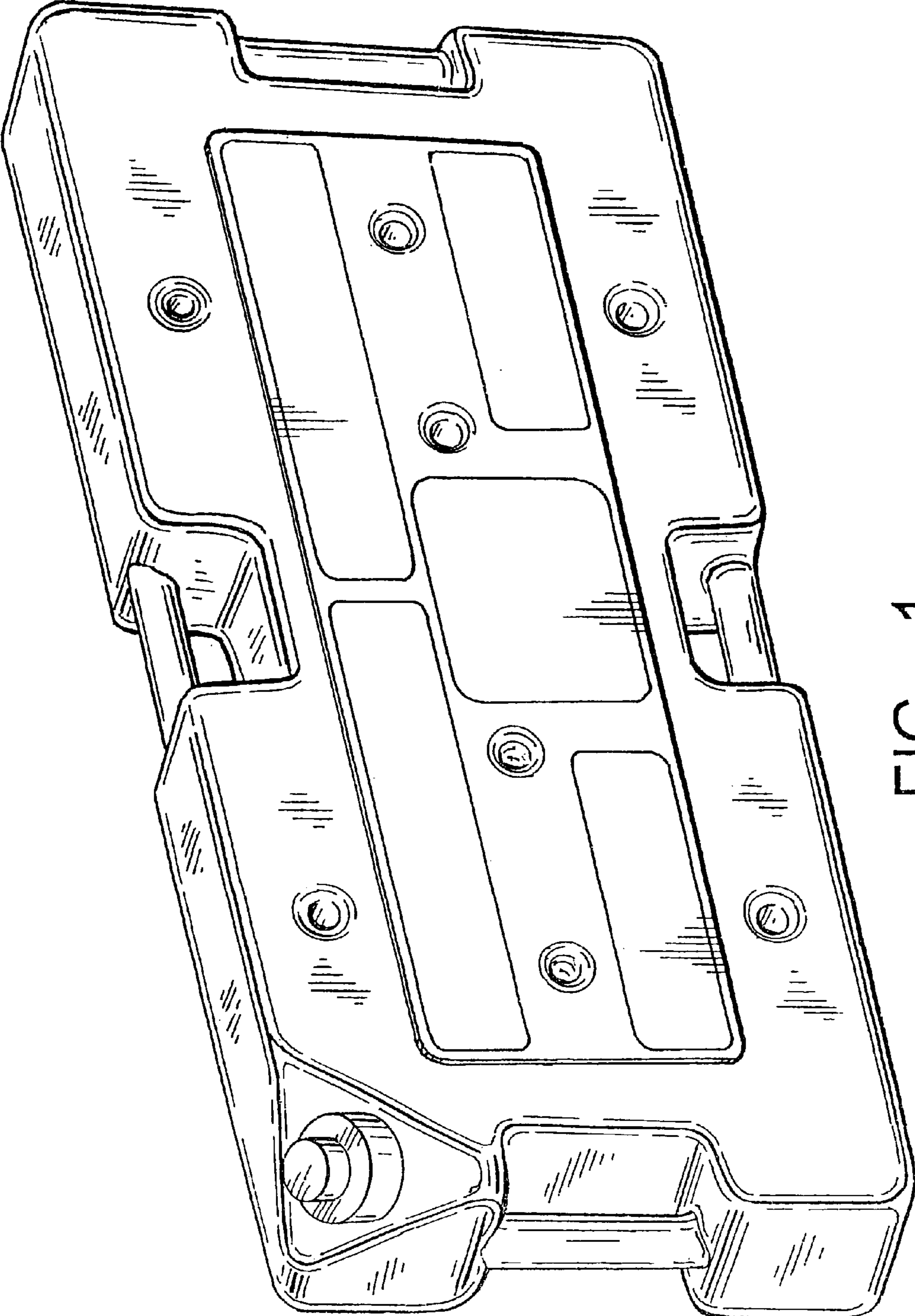


FIG. 1

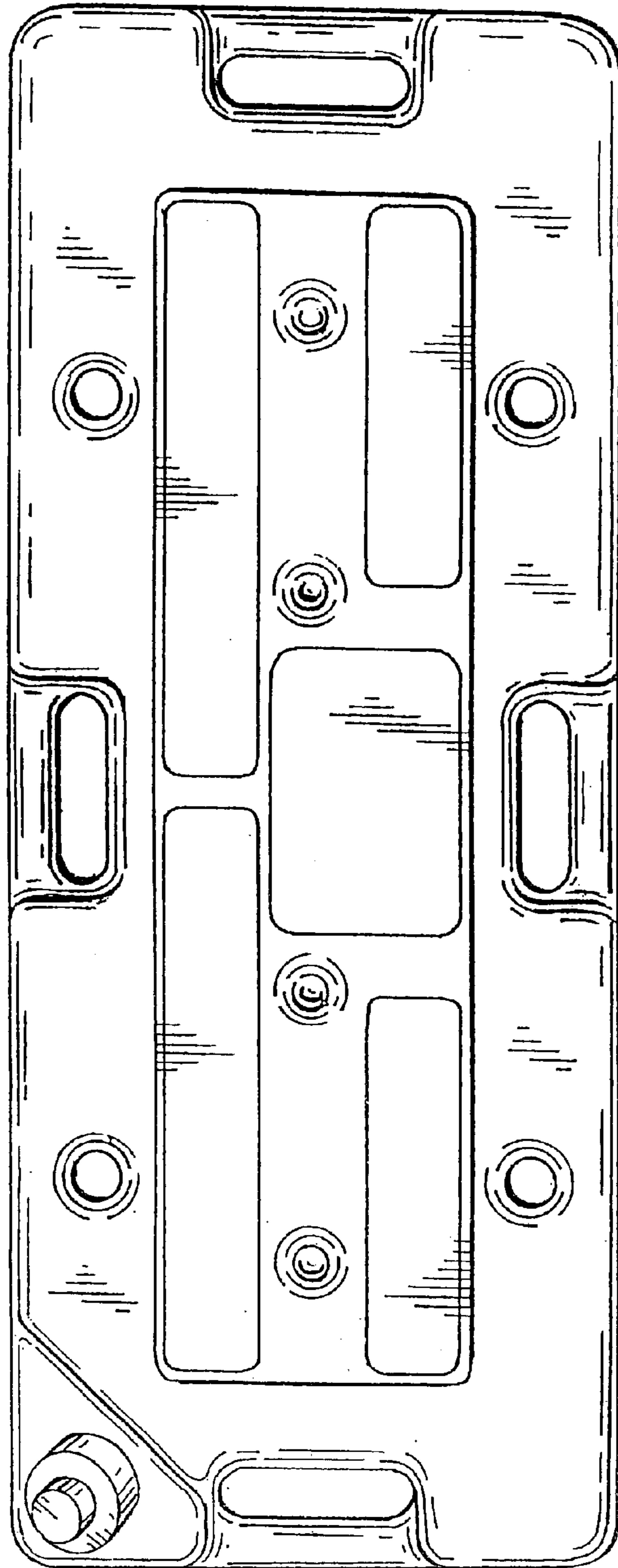


FIG. 2

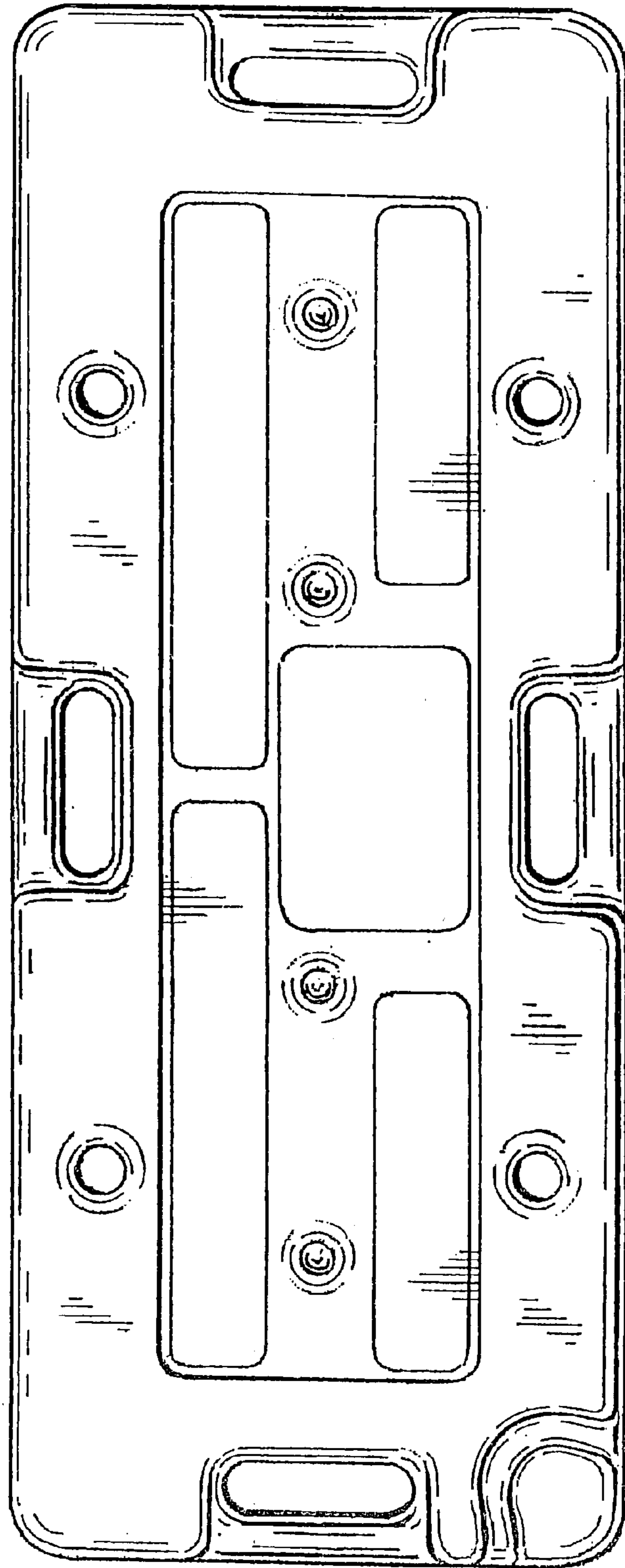


FIG. 3



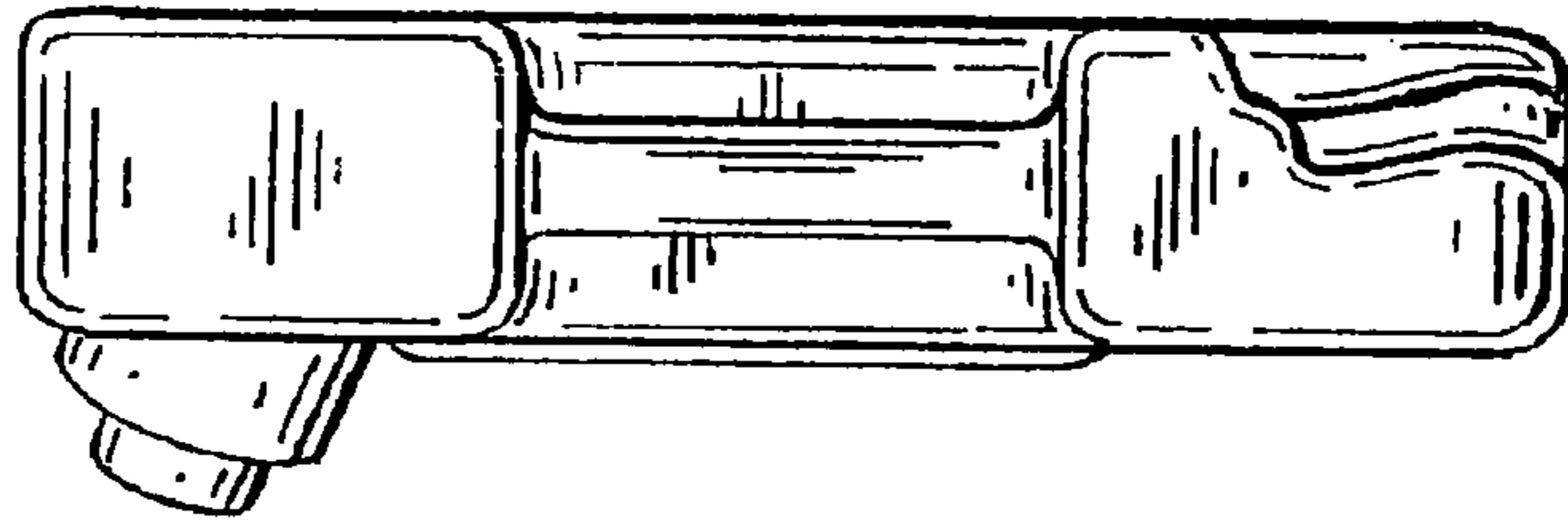


FIG. 5

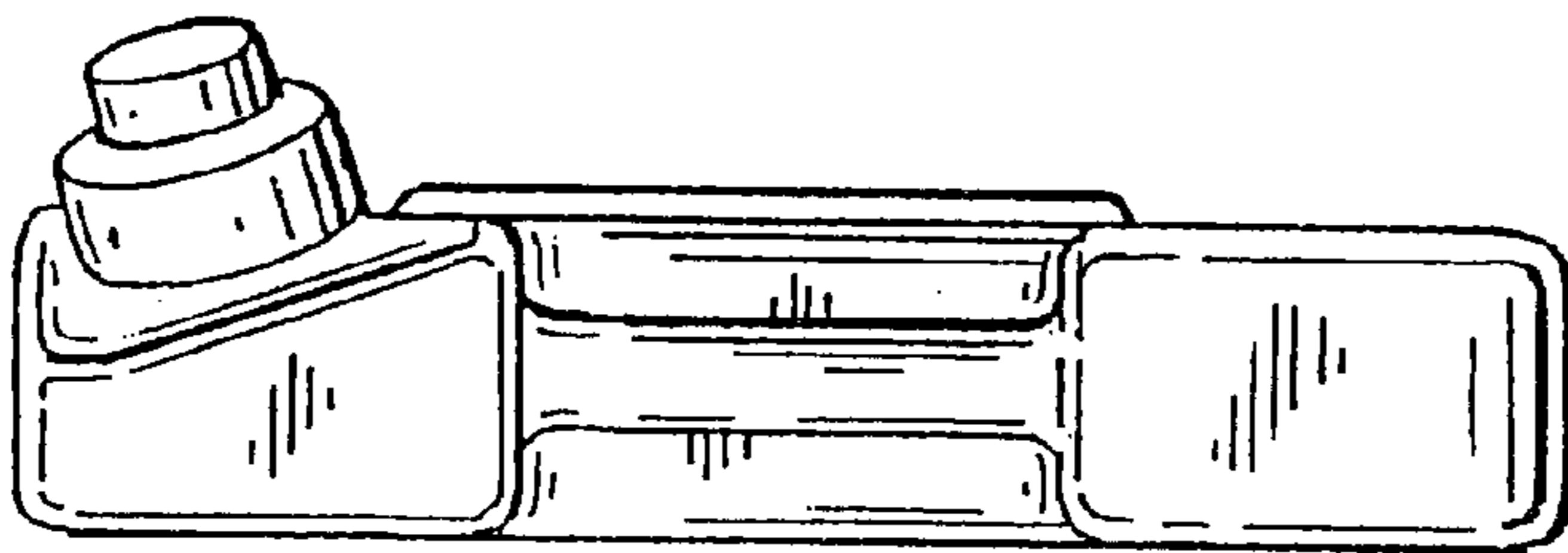


FIG. 4