

US00D506135S

(12) **United States Design Patent**
Breier et al.

(10) **Patent No.: US D506,135 S**
(45) **Date of Patent: ** Jun. 14, 2005**

(54) **BOTTLE**
(75) Inventors: **Stephan Breier**, Vienna (AT);
Johannes Scherr, Vienna (AT)
(73) Assignee: **Stock Vital GmbH & Co. KG**, Fuschl
am See (AU)
(**) Term: **14 Years**

D303,926 S * 10/1989 Venne et al. D9/500
D332,050 S * 12/1992 Schmidt D9/502
D410,842 S * 6/1999 DiMarzo et al. D9/435
D427,528 S * 7/2000 Krueger D9/503
D461,410 S * 8/2002 Zutler D9/500
D467,804 S * 12/2002 Restrepo D9/500
D471,815 S * 3/2003 Gnann et al. D9/503

FOREIGN PATENT DOCUMENTS

WO DM/058299 * 9/2001

* cited by examiner

Primary Examiner—Carol Rademaker

(74) *Attorney, Agent, or Firm*—TechMark; Martin R.
Greenstein

(21) Appl. No.: **29/190,858**
(22) Filed: **Sep. 25, 2003**
(51) **LOC (8) Cl.** **09-01**
(52) **U.S. Cl.** **D9/500; D9/502**
(58) **Field of Search** D9/300, 500, 502–505,
D9/509, 513, 515–516, 529, 530, 537–540,
544–546, 549, 557–558, 725; 215/121.1–12.2,
381–385, 396, 398, 400

(57) **CLAIM**

The ornamental design for a bottle, as shown and described.

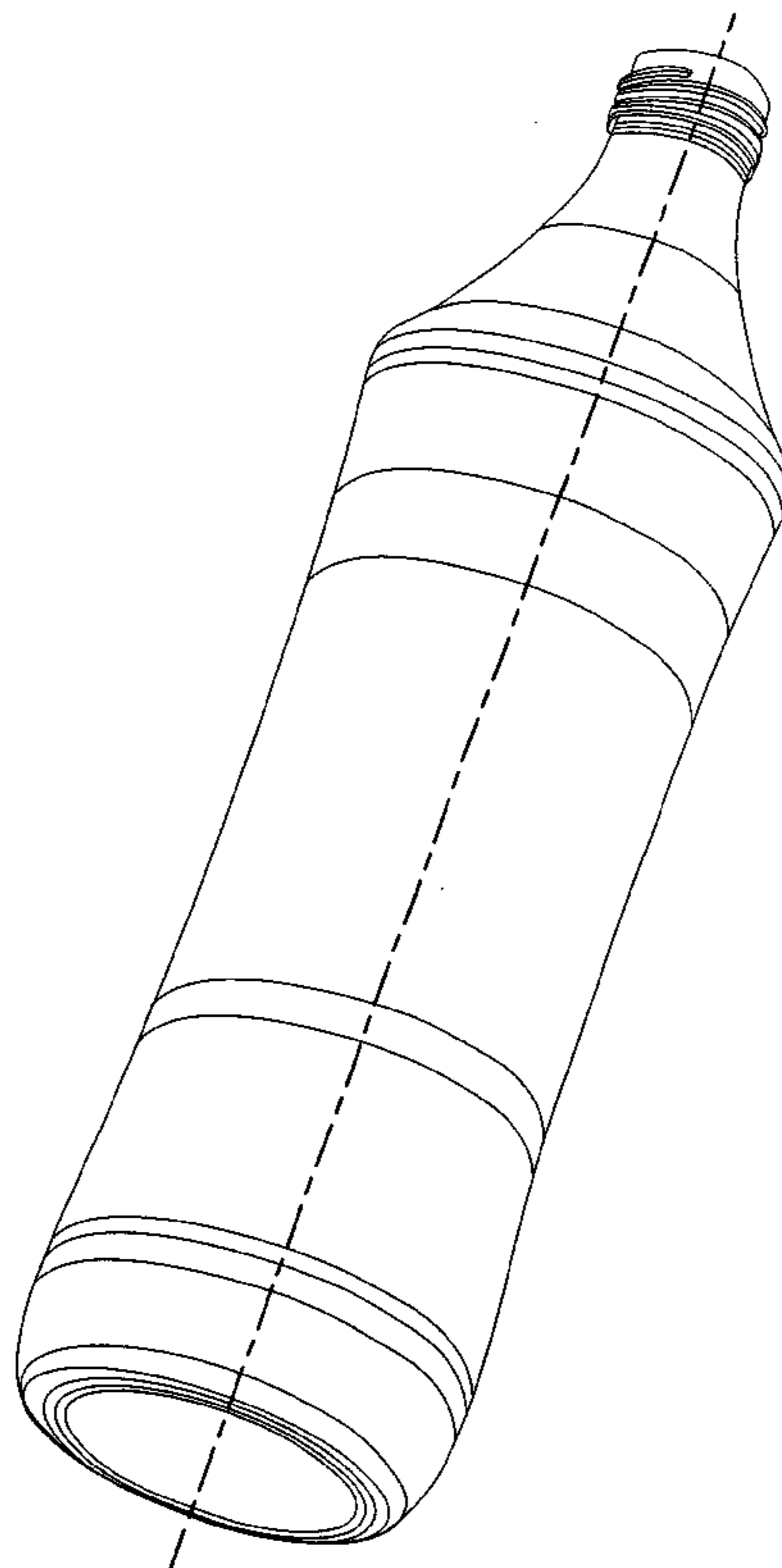
DESCRIPTION

FIG. 1 is a perspective view of the bottle showing our new design;
FIG. 2 is a front elevational view thereof, the rear, right side,
and left side being identical except for the threads;
FIG. 3 is a top plan view thereof; and,
FIG. 4 is a bottom plan view thereof.

(56) **References Cited**
U.S. PATENT DOCUMENTS

D92,098 S * 4/1934 Little D9/502
D105,669 S * 8/1937 Mills D9/502
3,331,521 A * 7/1967 Paige 215/382
D228,342 S * 9/1973 Kretz D9/500
4,256,231 A * 3/1981 Cioc et al. 215/12.2
D274,697 S * 7/1984 Venne D9/725

1 Claim, 1 Drawing Sheet



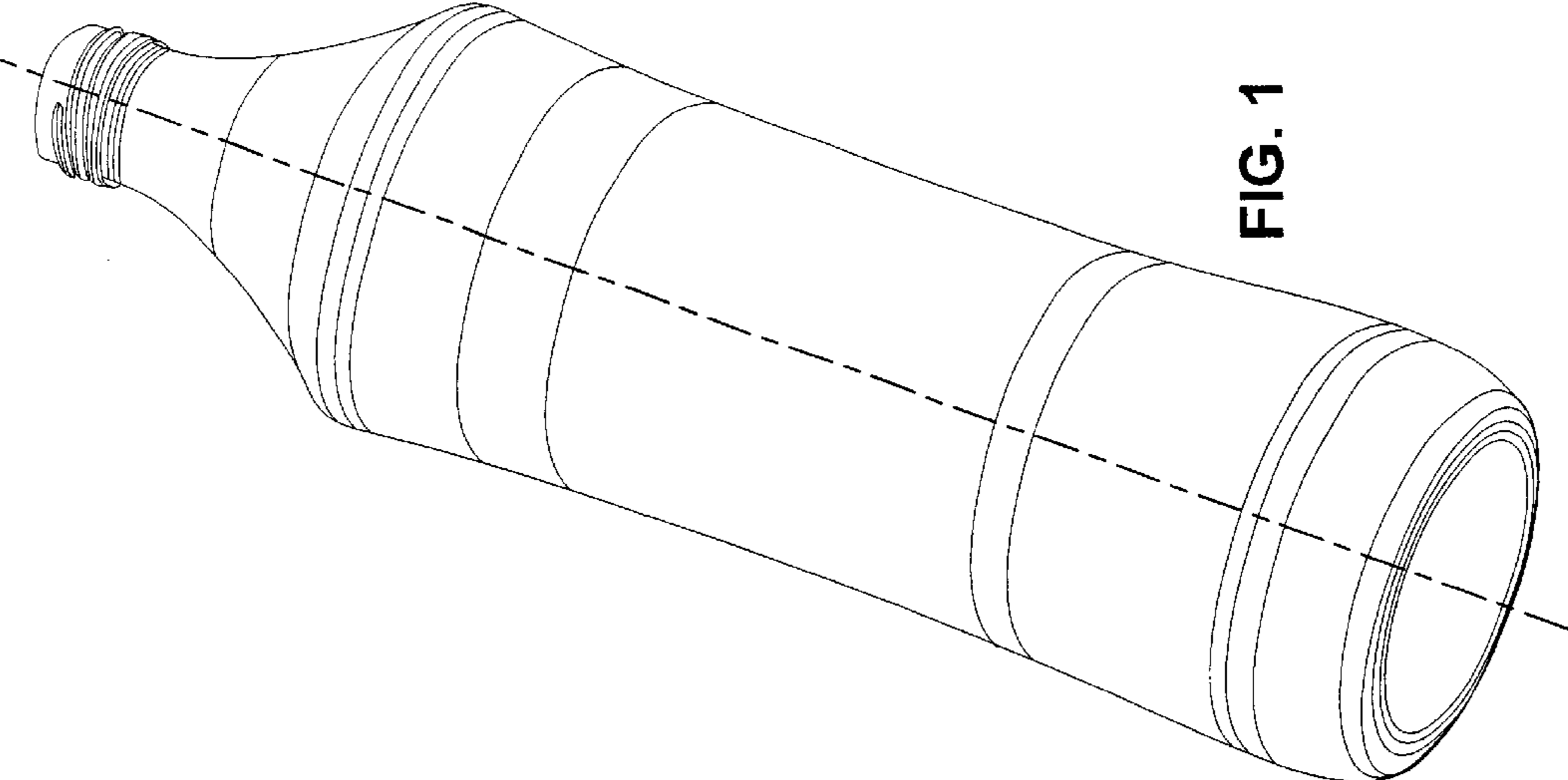


FIG. 1

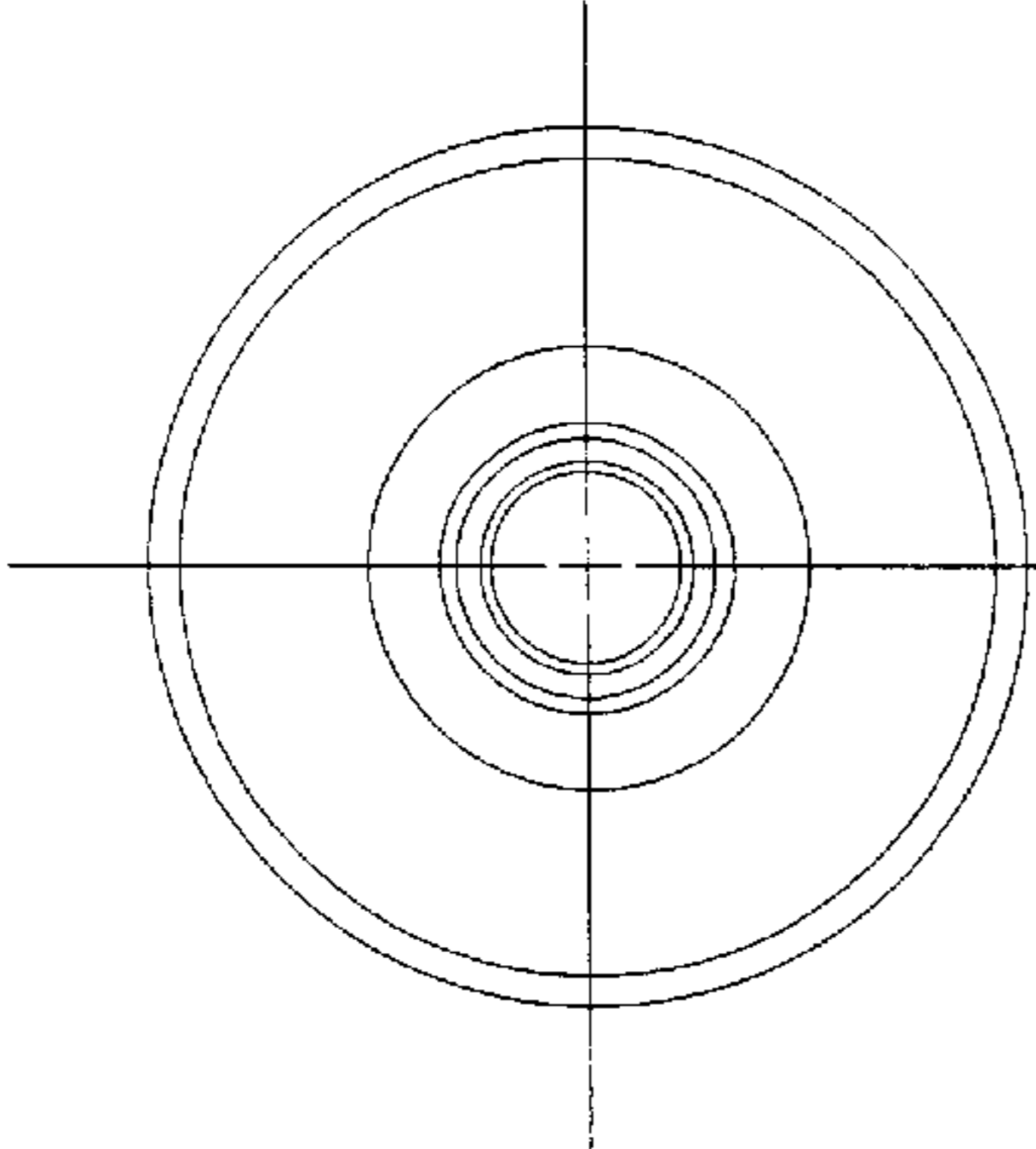


FIG. 3

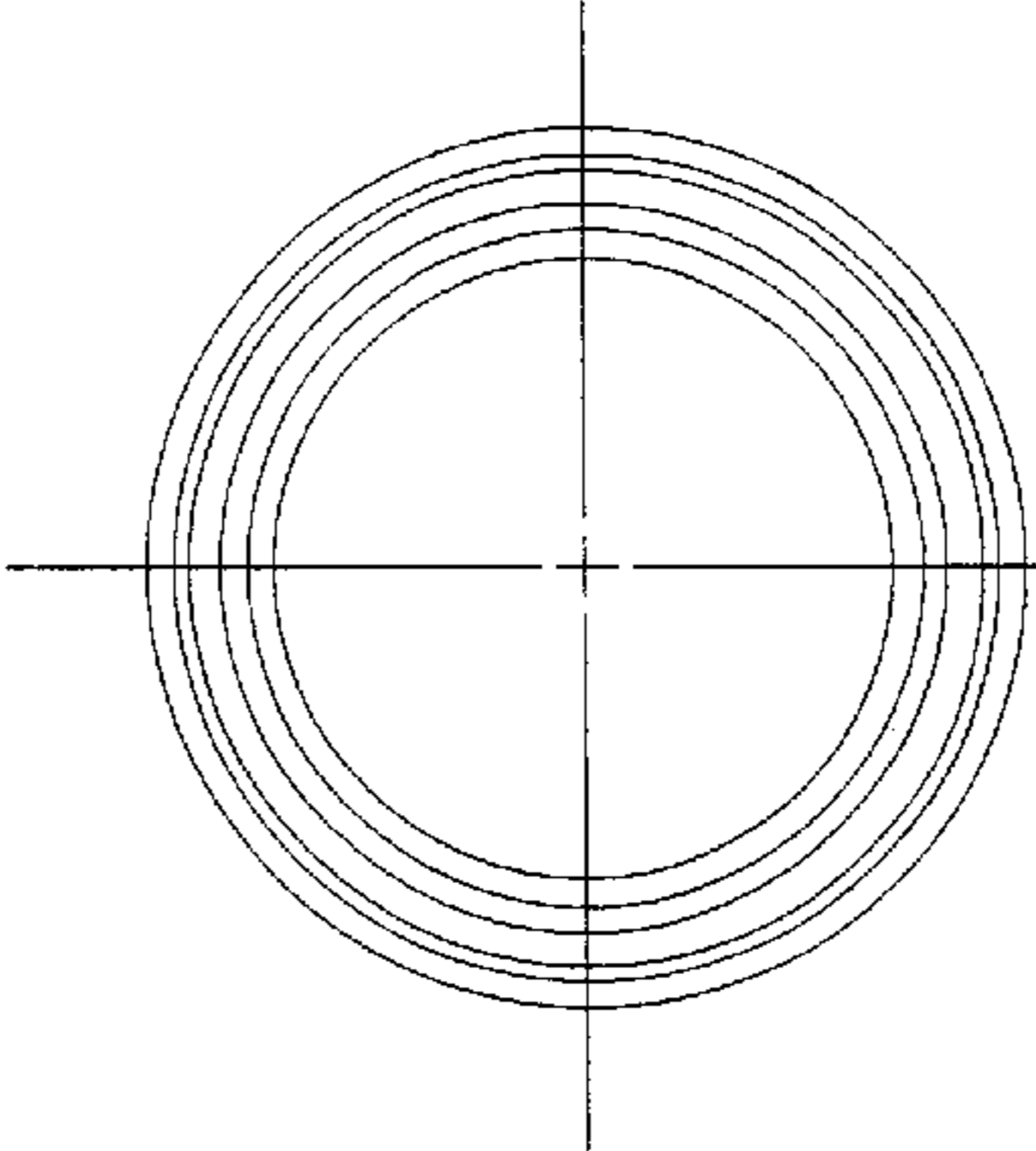


FIG. 4

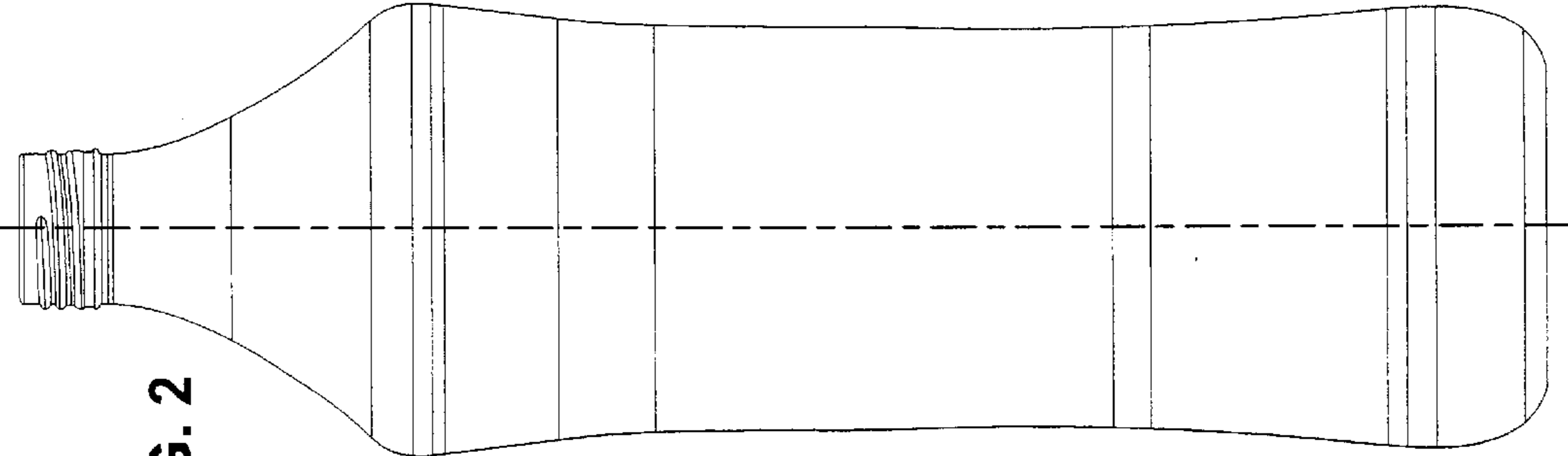


FIG. 2