

US00D506133S

(12) **United States Design Patent**  
**Goodfellow et al.**

(10) **Patent No.: US D506,133 S**  
(45) **Date of Patent: \*\* Jun. 14, 2005**

(54) **ORNAMENTAL SECONDARY BEVERAGE  
CARTON**

(75) Inventors: **Keith Lawrence Goodfellow**, Toronto  
(CA); **Jeremy Peter Tallevi**, London  
(CA)

(73) Assignee: **Labatt Brewing Company Limited**,  
London (CA)

(\*\*) Term: **14 Years**

(21) Appl. No.: **29/183,874**

(22) Filed: **Jun. 19, 2003**

(30) **Foreign Application Priority Data**

Dec. 19, 2002 (CA) ..... 101652

(51) **LOC (8) Cl.** ..... **09-03**

(52) **U.S. Cl.** ..... **D9/433**

(58) **Field of Search** ..... D9/433, 414, 420,  
D9/430, 431, 499; 206/223, 784, 1.5, 524.1,  
525, 527; 220/62, 890; 229/100, 124, 125.37,  
126, 800

(56) **References Cited**

**U.S. PATENT DOCUMENTS**

1,353,689 A \* 9/1920 Wilkie ..... 220/62  
1,912,329 A \* 5/1933 Wassell ..... 229/104  
2,006,811 A \* 7/1935 Mersbach ..... 131/240.1

2,022,721 A \* 12/1935 Hompe ..... 206/45.29  
3,730,418 A \* 5/1973 Spencer ..... 229/117.18  
4,011,942 A \* 3/1977 Crosslen ..... 206/777  
5,076,437 A \* 12/1991 Schindler ..... 206/551  
5,118,033 A \* 6/1992 Kula ..... 229/115  
5,325,960 A \* 7/1994 Sims ..... 206/765

\* cited by examiner

*Primary Examiner*—Stella Reid

*Assistant Examiner*—Daniel Bui

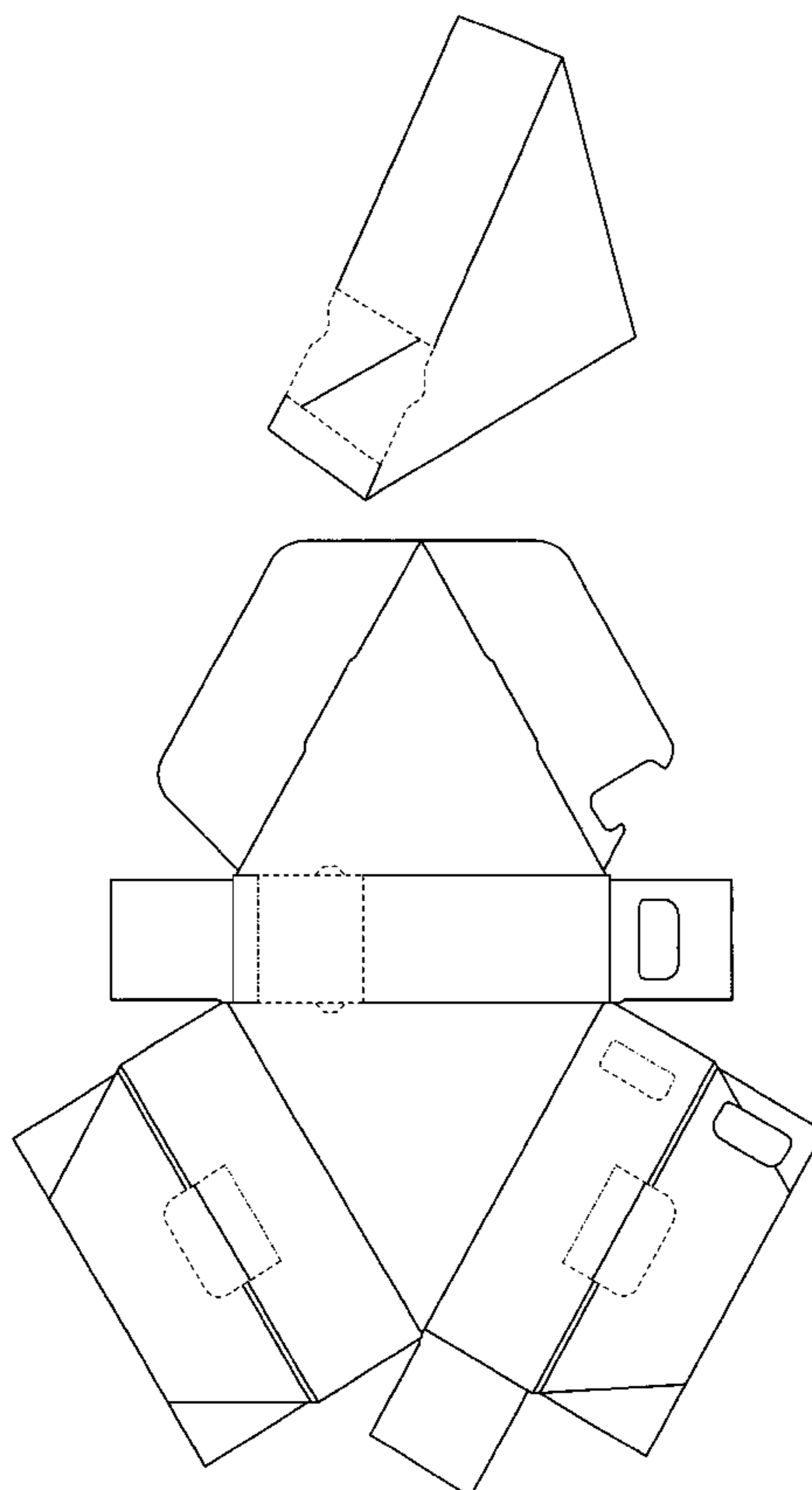
(57) **CLAIM**

The ornamental design for an ornamental secondary beverage carton, as shown and described.

**DESCRIPTION**

FIG. 1 is a top perspective view of an ornamental secondary beverage carton, showing our new design;  
FIG. 2 is a bottom plan view thereof;  
FIG. 3 is a front elevation view thereof;  
FIG. 4 is a rear elevation view thereof;  
FIG. 5 is a right side elevation view thereof, on an enlarged scale;  
FIG. 6 is a left side elevation view thereof, on an enlarged scale;  
FIG. 7 is a front, top perspective view thereof; and,  
FIG. 8 is a top plan view thereof in an unfolded condition.  
In the drawing, the dash lines represent the cut lines, and the dash-dot lines represent the fold lines.

**1 Claim, 5 Drawing Sheets**



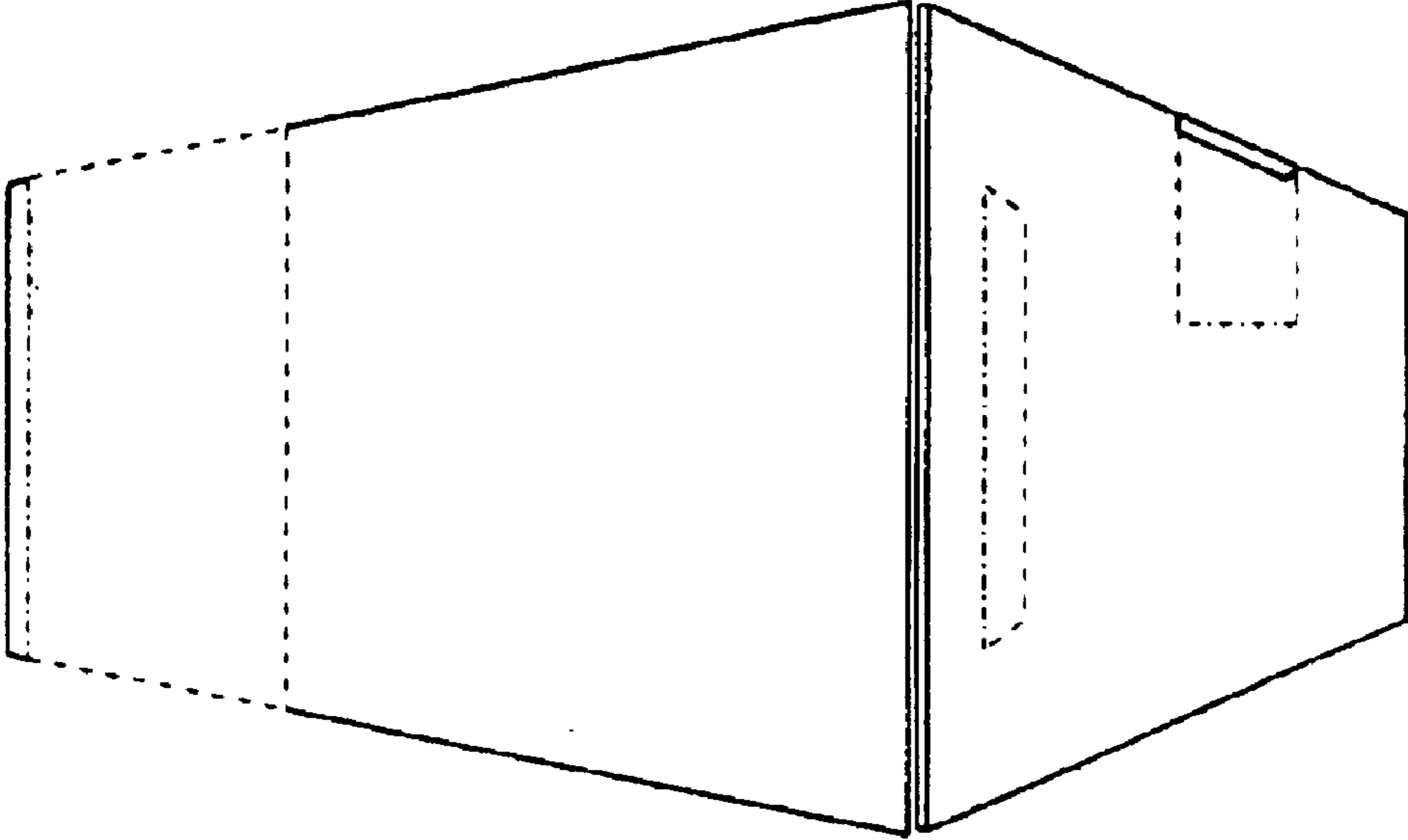


FIG. 1

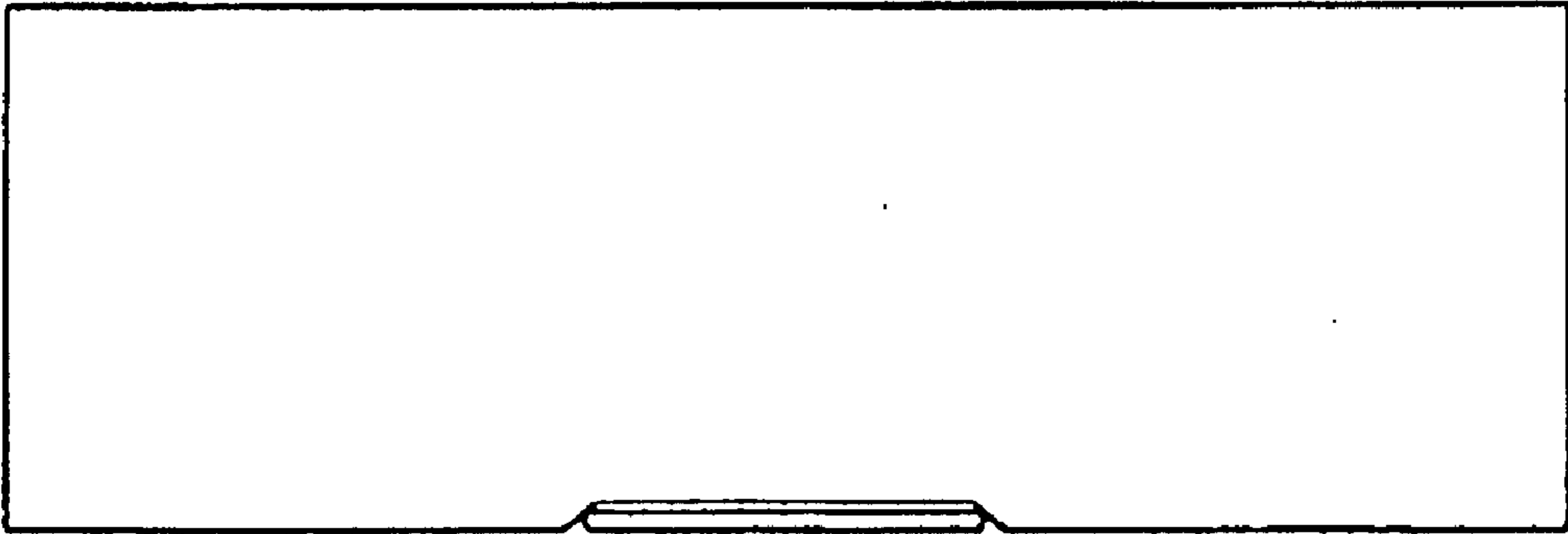


FIG. 2

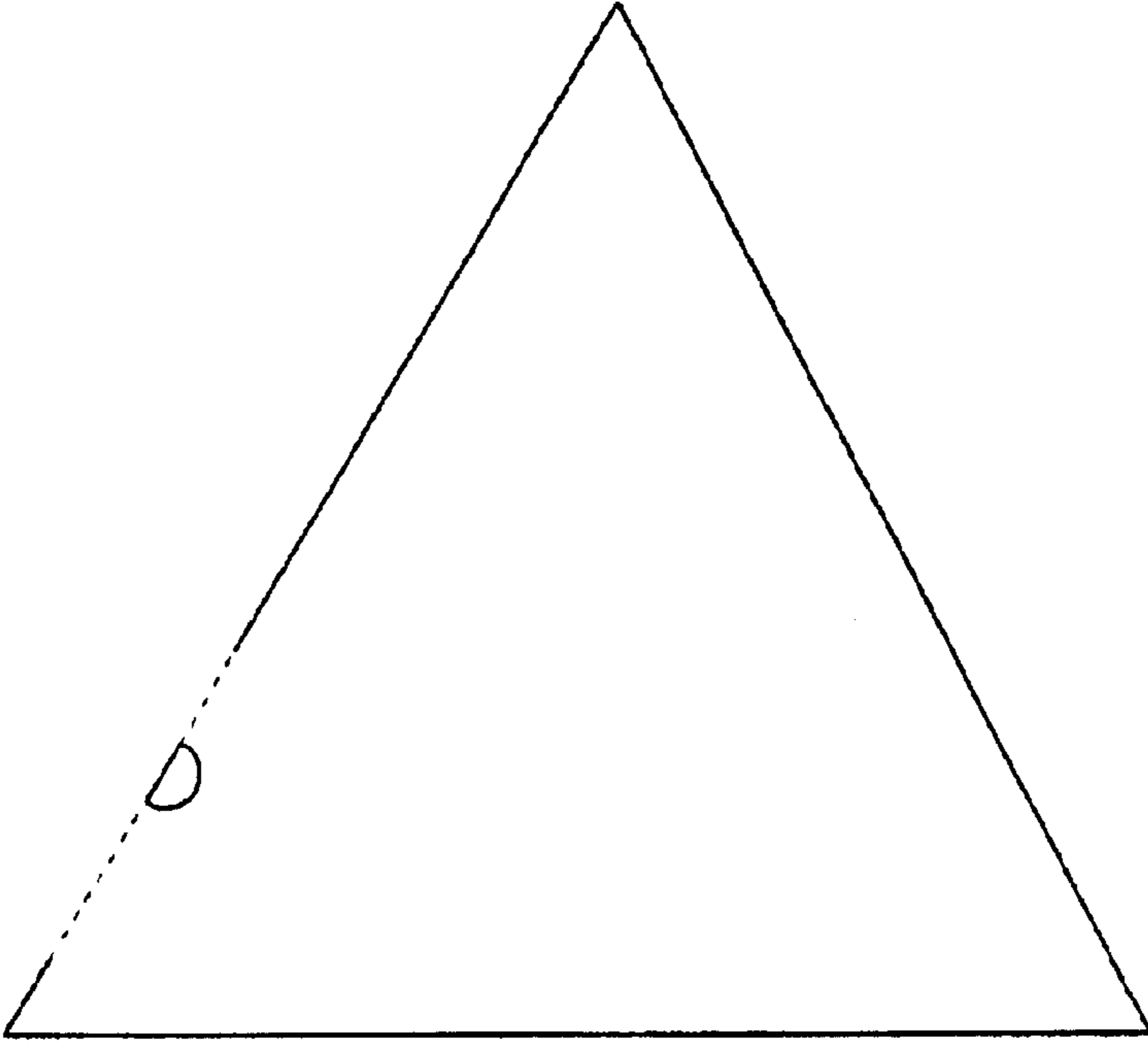


FIG. 3

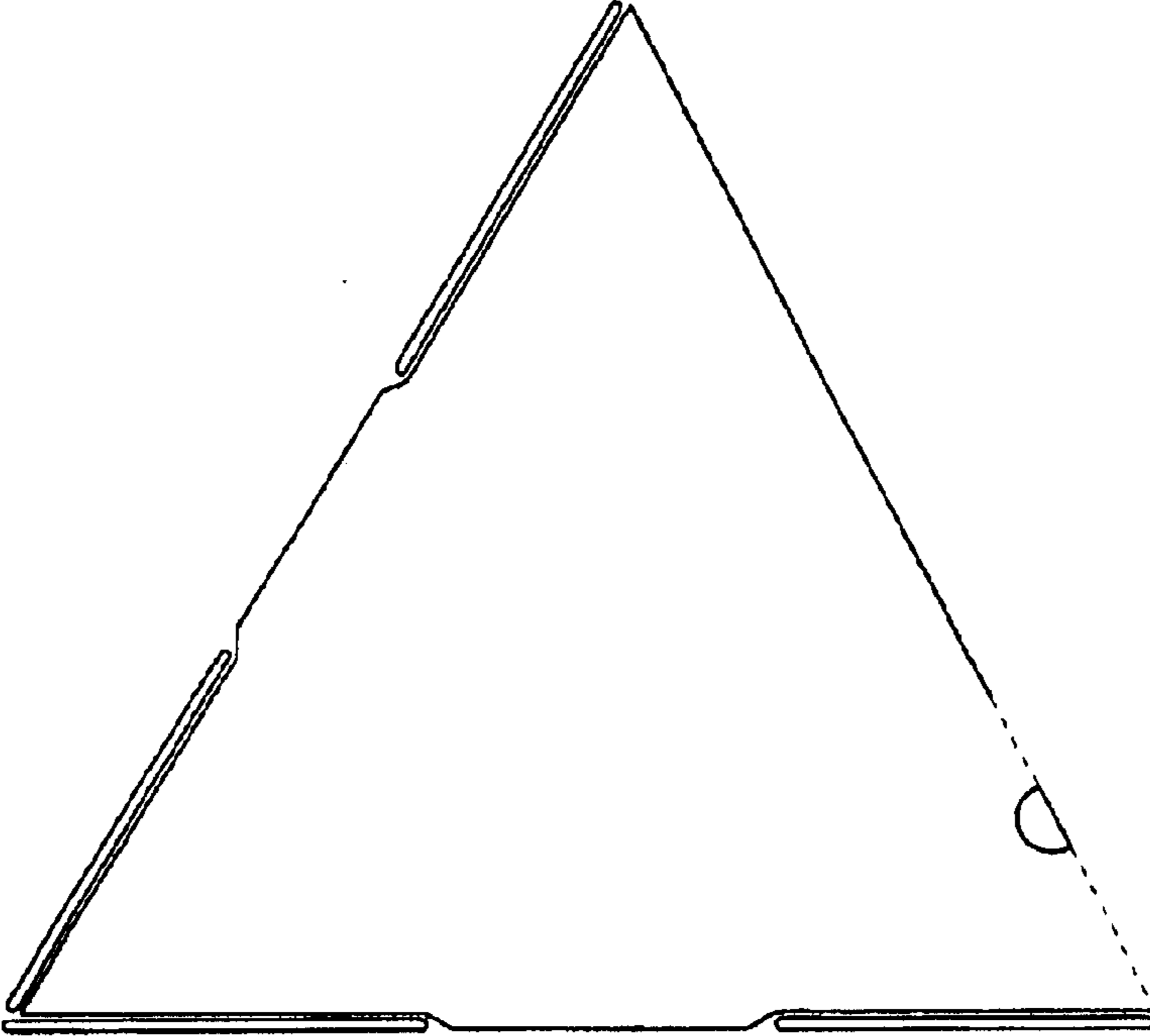


FIG. 4

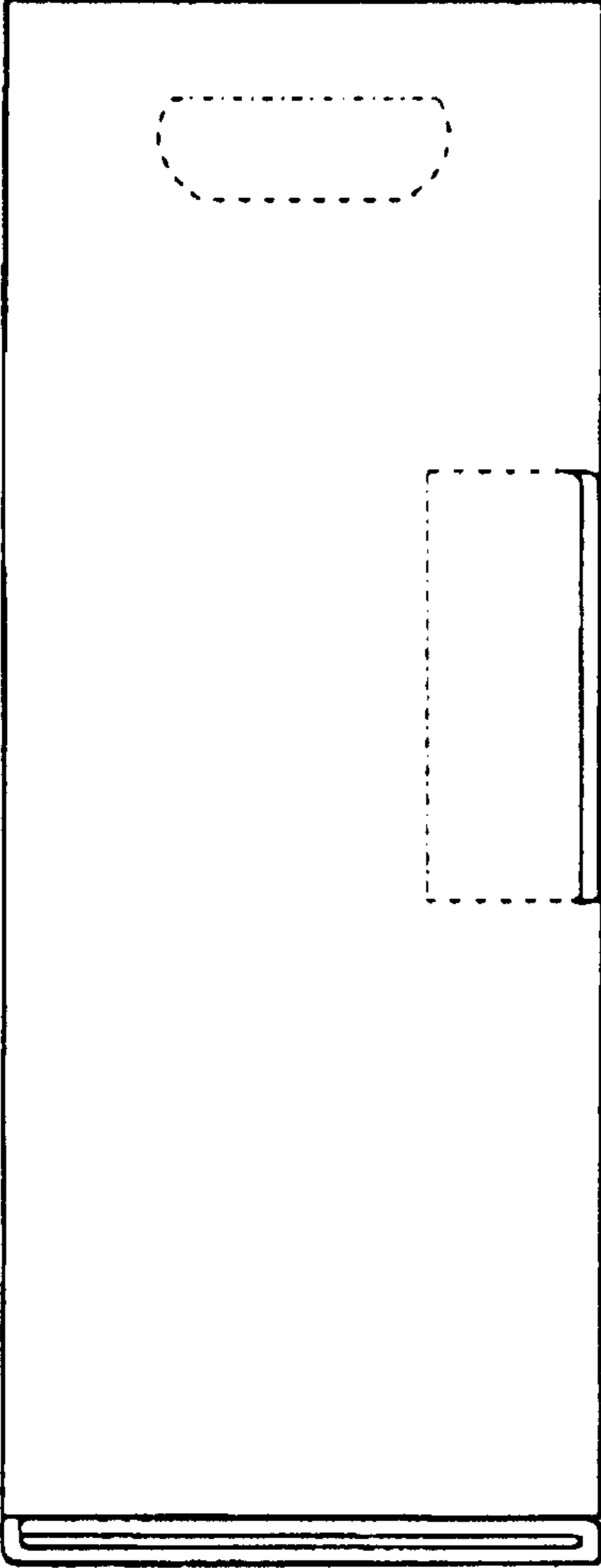


FIG. 5

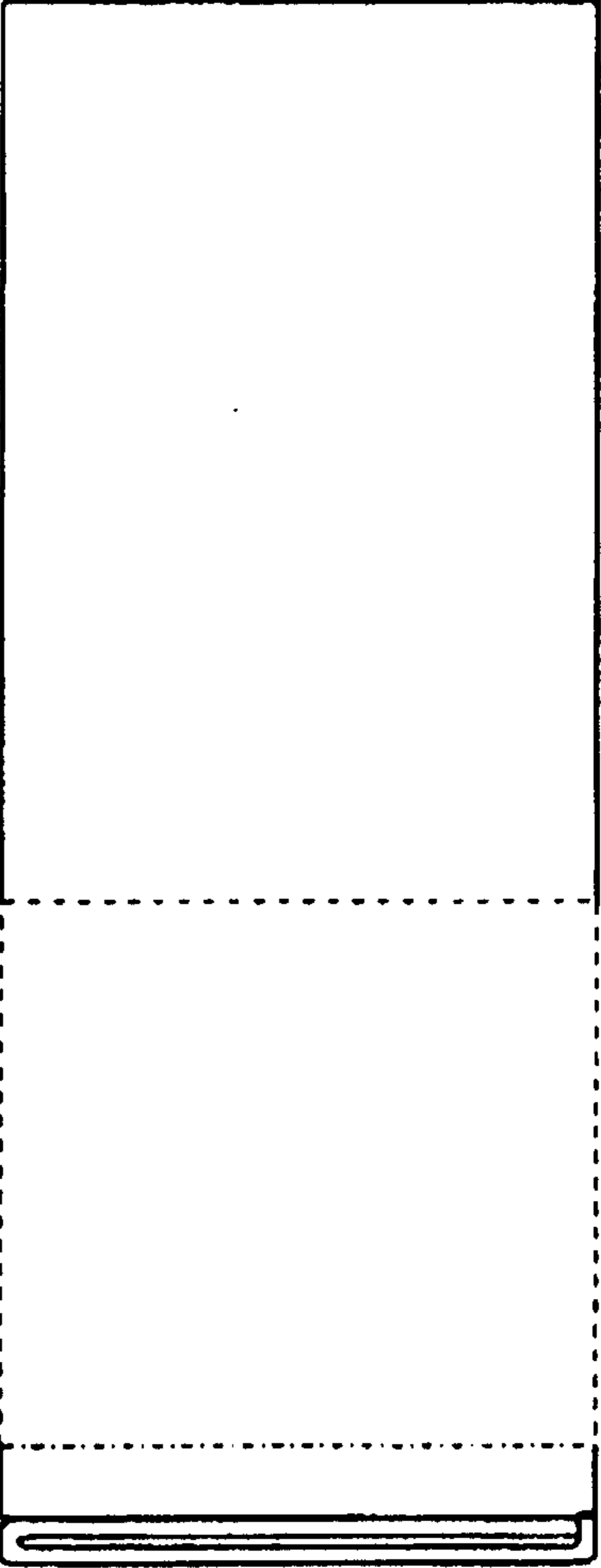
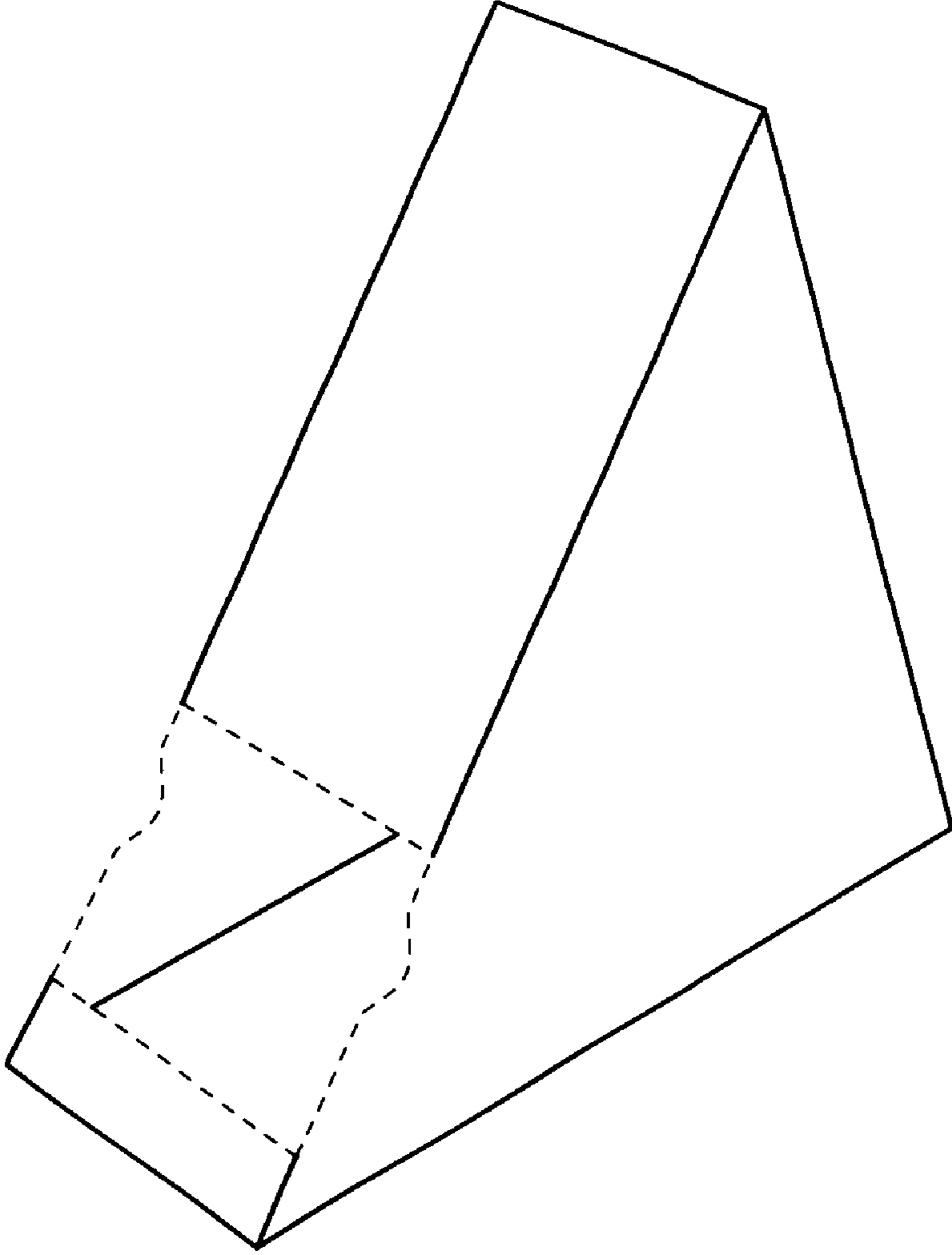


FIG. 6



**FIG. 7**

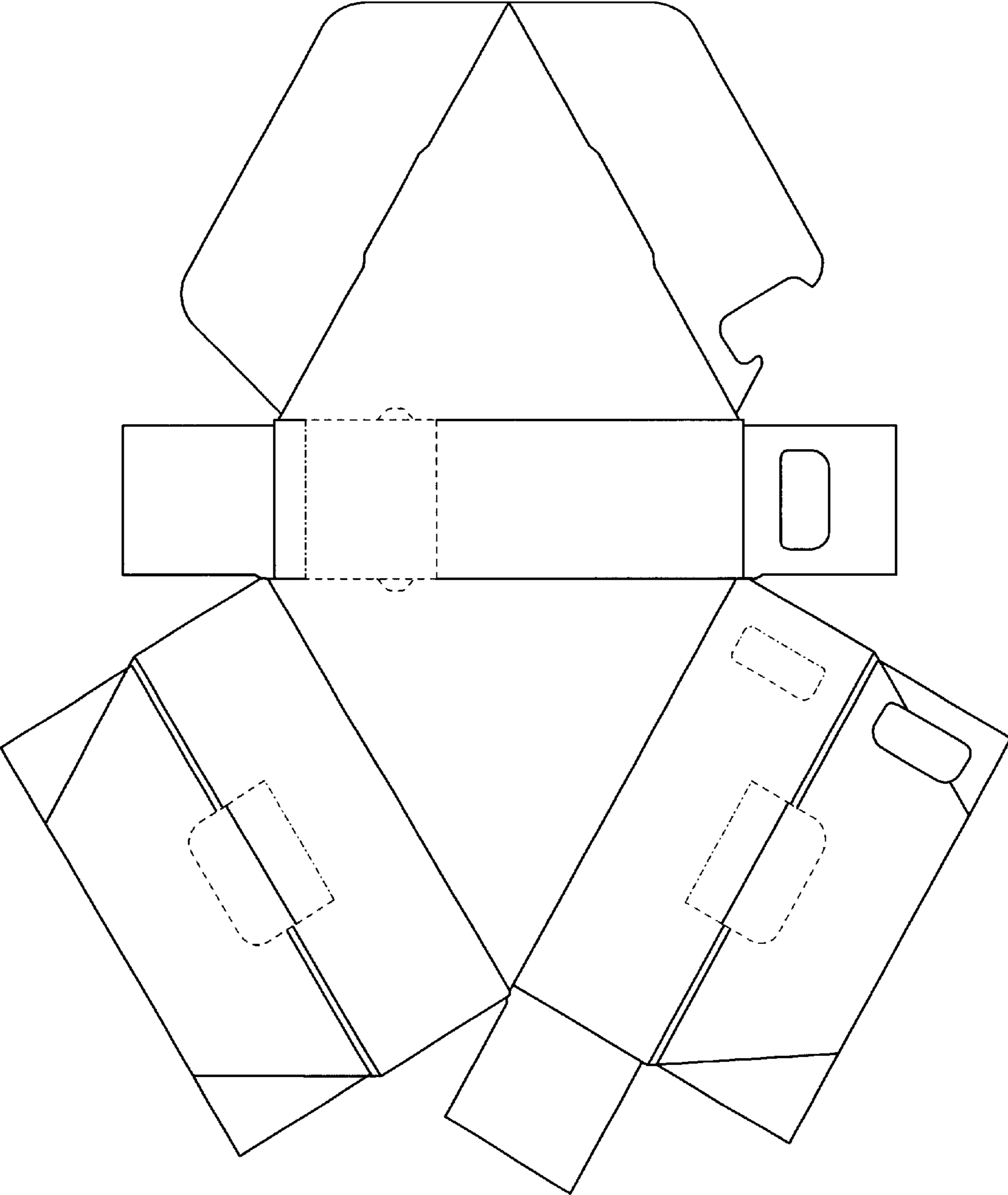


FIG. 8