



US00D506132S

(12) **United States Design Patent**
De-Vries

(10) **Patent No.:** **US D506,132 S**
(45) **Date of Patent:** **** Jun. 14, 2005**

(54) **COMBINED DISPENSING COVER**

(76) **Inventor:** **Liat De-Vries**, 61 Dolev St., Caesarea
38900 (IL)

(**) **Term:** **14 Years**

(21) **Appl. No.:** **29/182,106**

(22) **Filed:** **May 21, 2003**

(30) **Foreign Application Priority Data**

Nov. 21, 2002 (IL) 37214

(51) **LOC (8) Cl.** **09-03**

(52) **U.S. Cl.** **D9/430**

(58) **Field of Search** D9/430, 414, 416,
D9/420, 424, 431, 432, 499; 206/233, 494;
220/375

(56) **References Cited**

U.S. PATENT DOCUMENTS

D244,583 S *	6/1977	Barish	D9/420
D276,794 S *	12/1984	Urion	D9/420
D295,961 S *	5/1988	Holly	D9/420
D372,641 S *	8/1996	Betend-Bon	D7/629
D421,902 S *	3/2000	Hill	D9/423
D442,081 S *	5/2001	Paul	D9/423
D443,508 S *	6/2001	Braaten et al.	D9/416
6,604,628 B1 *	8/2003	Tanaka et al.	206/209
2003/0221986 A1 *	12/2003	Reinke et al.	206/494

* cited by examiner

Primary Examiner—Stella Reid

Assistant Examiner—Daniel Bui

(74) *Attorney, Agent, or Firm*—Browdy and Neimark,
P.L.L.C.

(57) **CLAIM**

The ornamental design for a combined dispensing cover, as shown and described.

DESCRIPTION

The present application is concerned with a design of a combined dispensing cover for a tissue container integrally fitted with an auxiliary compartment, said auxiliary compartment suitable for holding a preparation of the type typically used in conjunction with tissues. Such preparations are, for example, ointments, oils, moisturizers, anti-bacterial compositions, cleaning agents, etc.

FIG. 1 is a perspective view of a combined dispensing cover, showing my new design in a closed position;

FIG. 2 is a top plan view thereof;

FIG. 3 is a rear elevation view thereof;

FIG. 4 is a front elevation view thereof;

FIG. 5 is a side elevation view thereof;

FIG. 6 is a perspective view of a combined dispensing cover, in a first open position;

FIG. 7 is a top plan view thereof;

FIG. 8 is a rear elevation view thereof;

FIG. 9 is a front elevation view thereof;

FIG. 10 is a side elevation view thereof;

FIG. 11 is a perspective view of a combined dispensing cover, in a second open position;

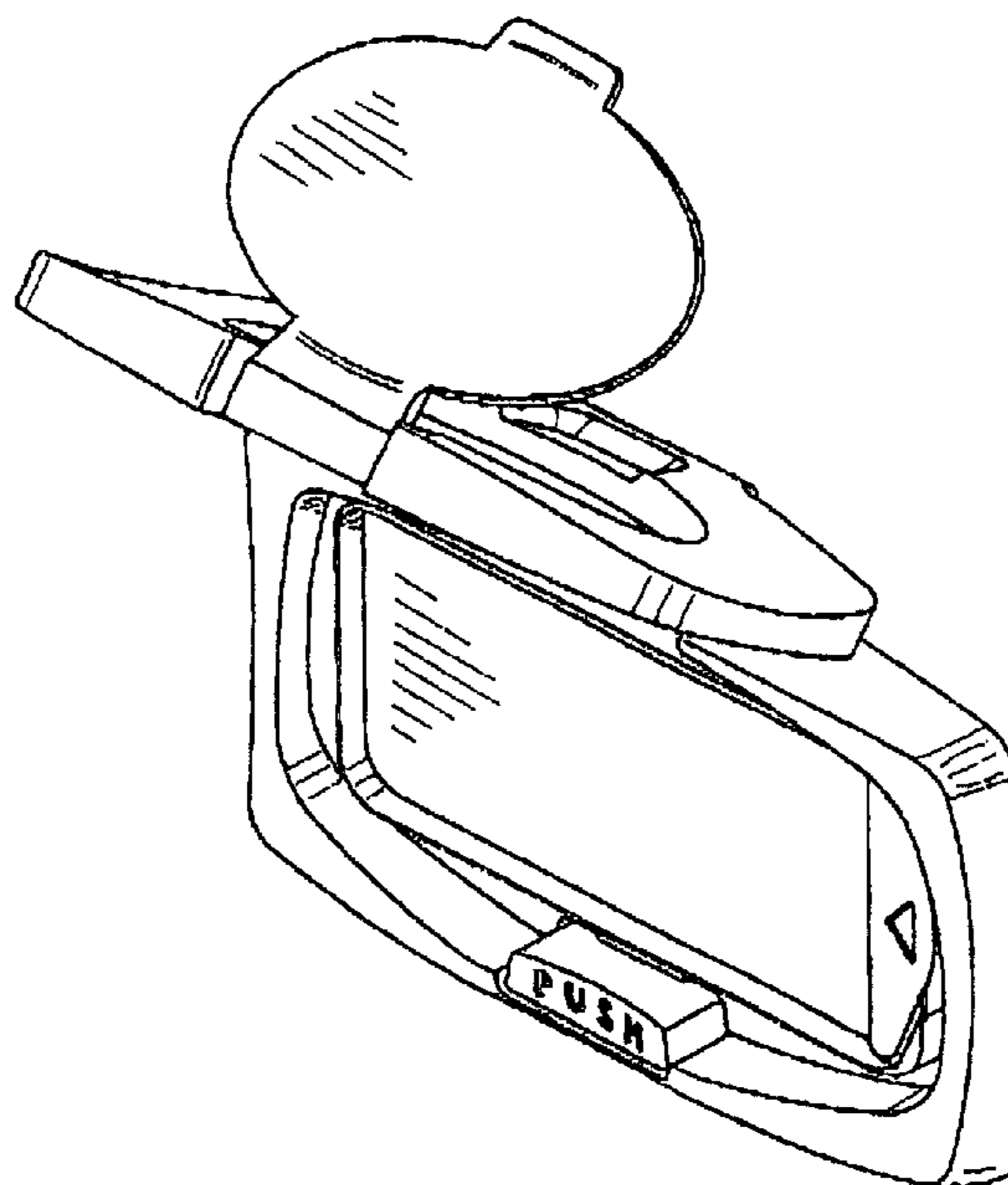
FIG. 12 is a top plan view thereof;

FIG. 13 is a rear elevation view thereof;

FIG. 14 is a front elevation view thereof; and,

FIG. 15 is a side elevation view thereof.

1 Claim, 4 Drawing Sheets



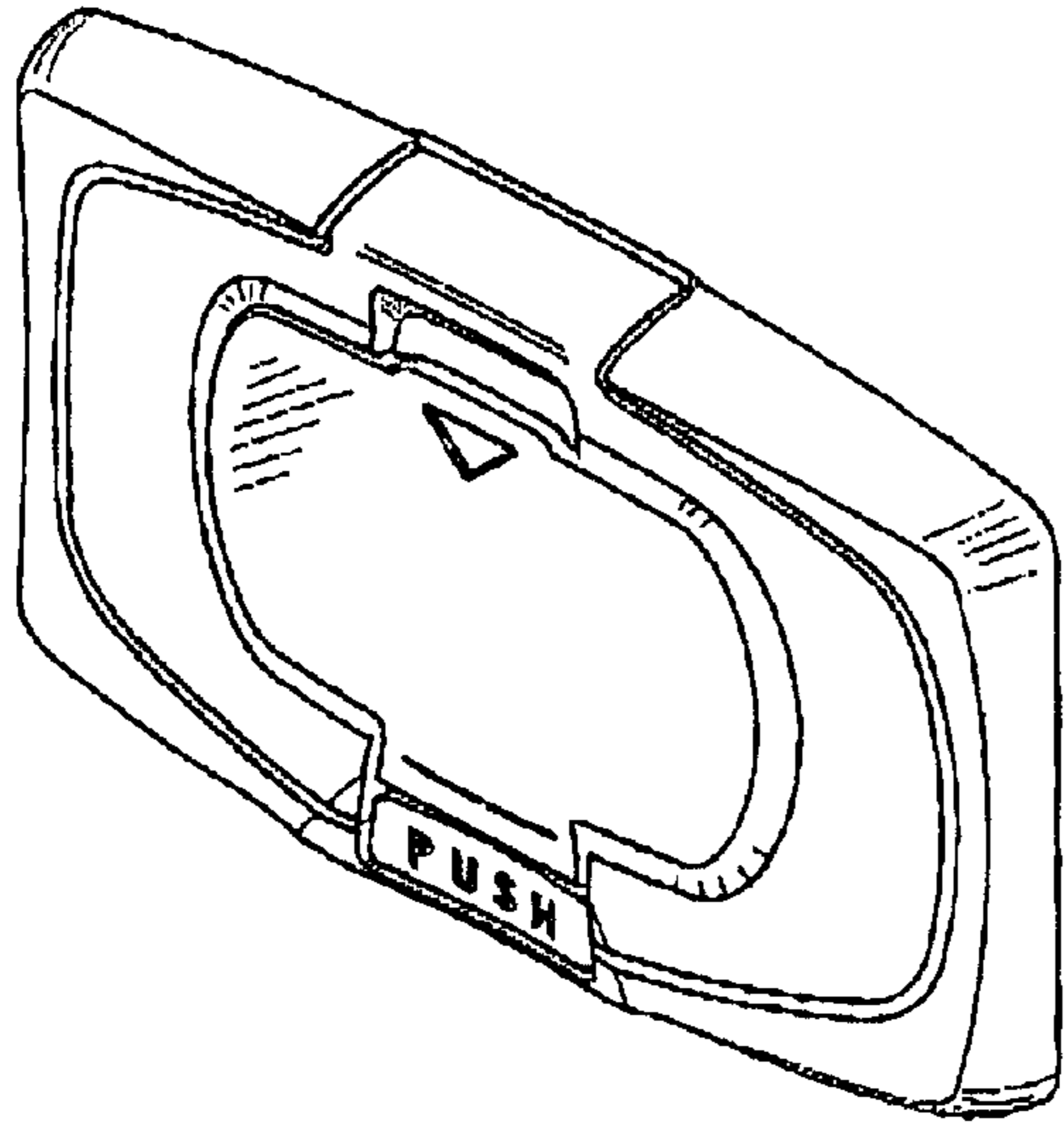


FIG. 1

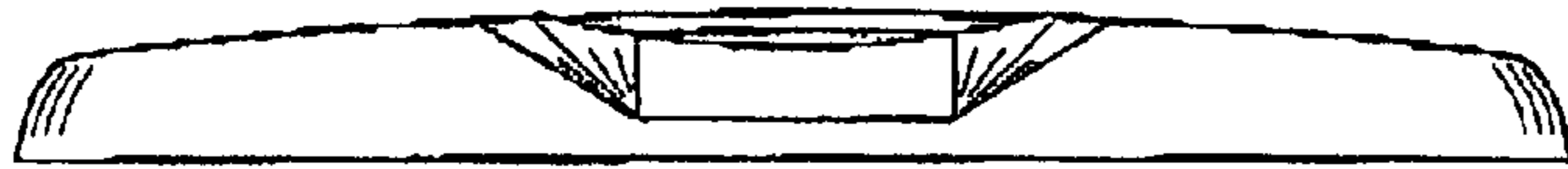


FIG. 4

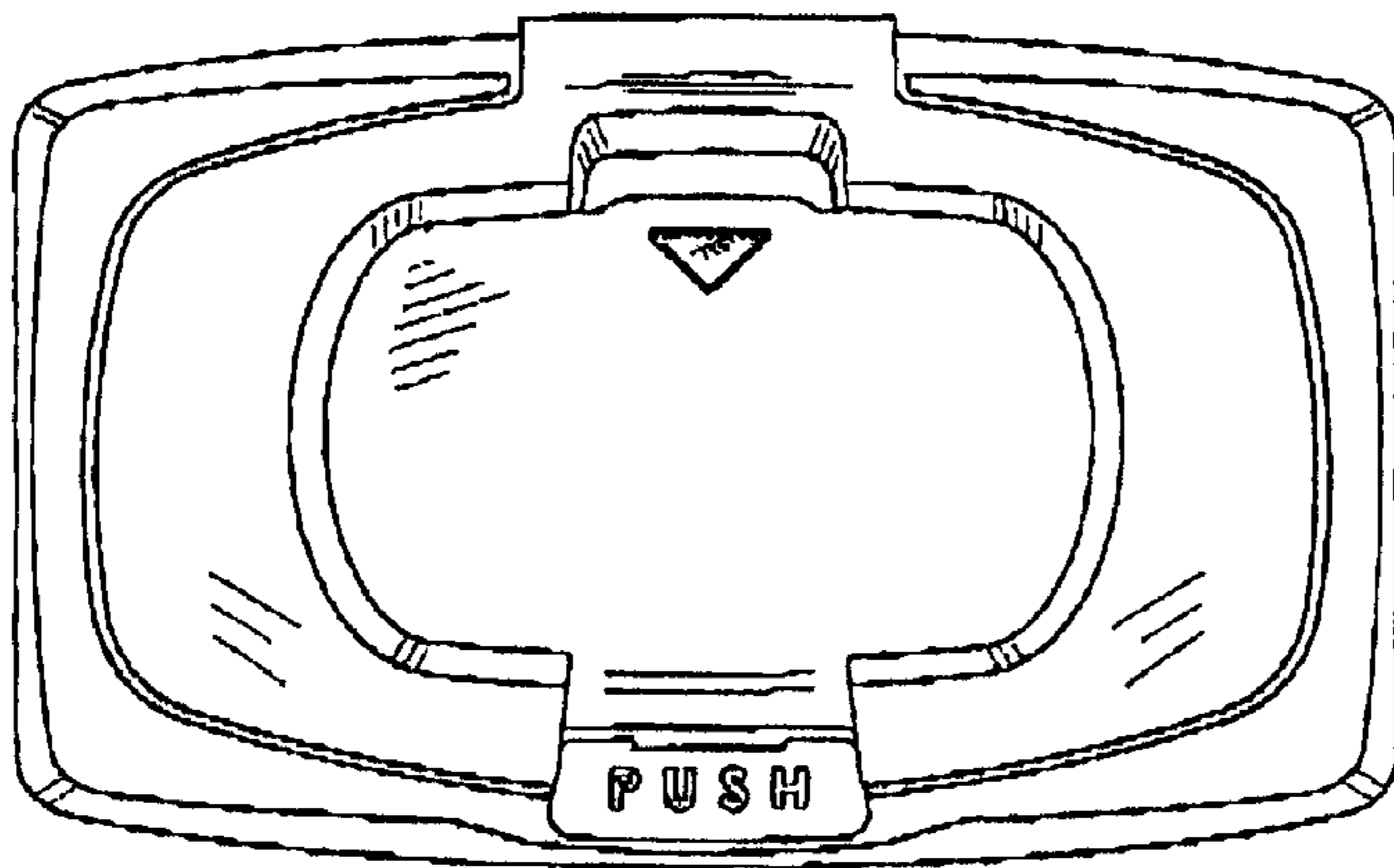


FIG. 2

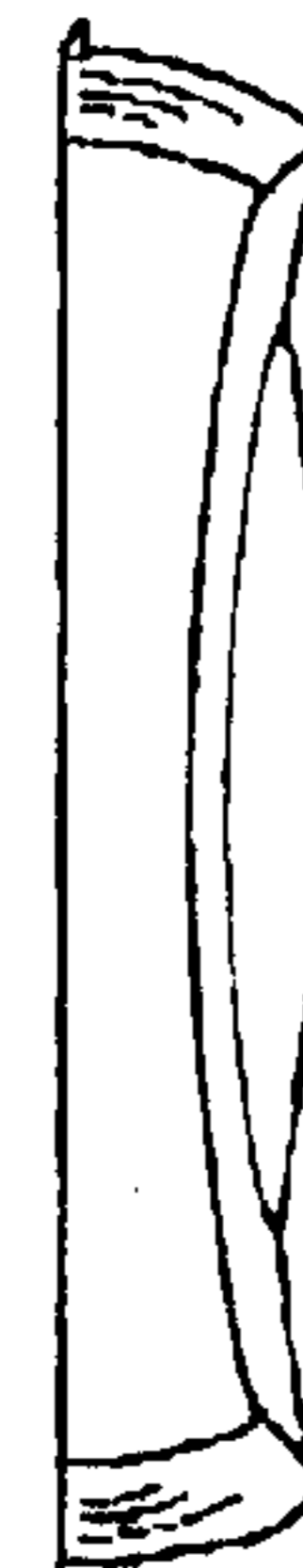


FIG. 5

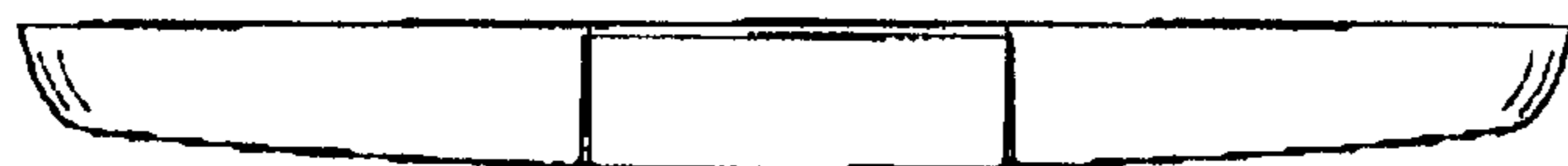


FIG. 3

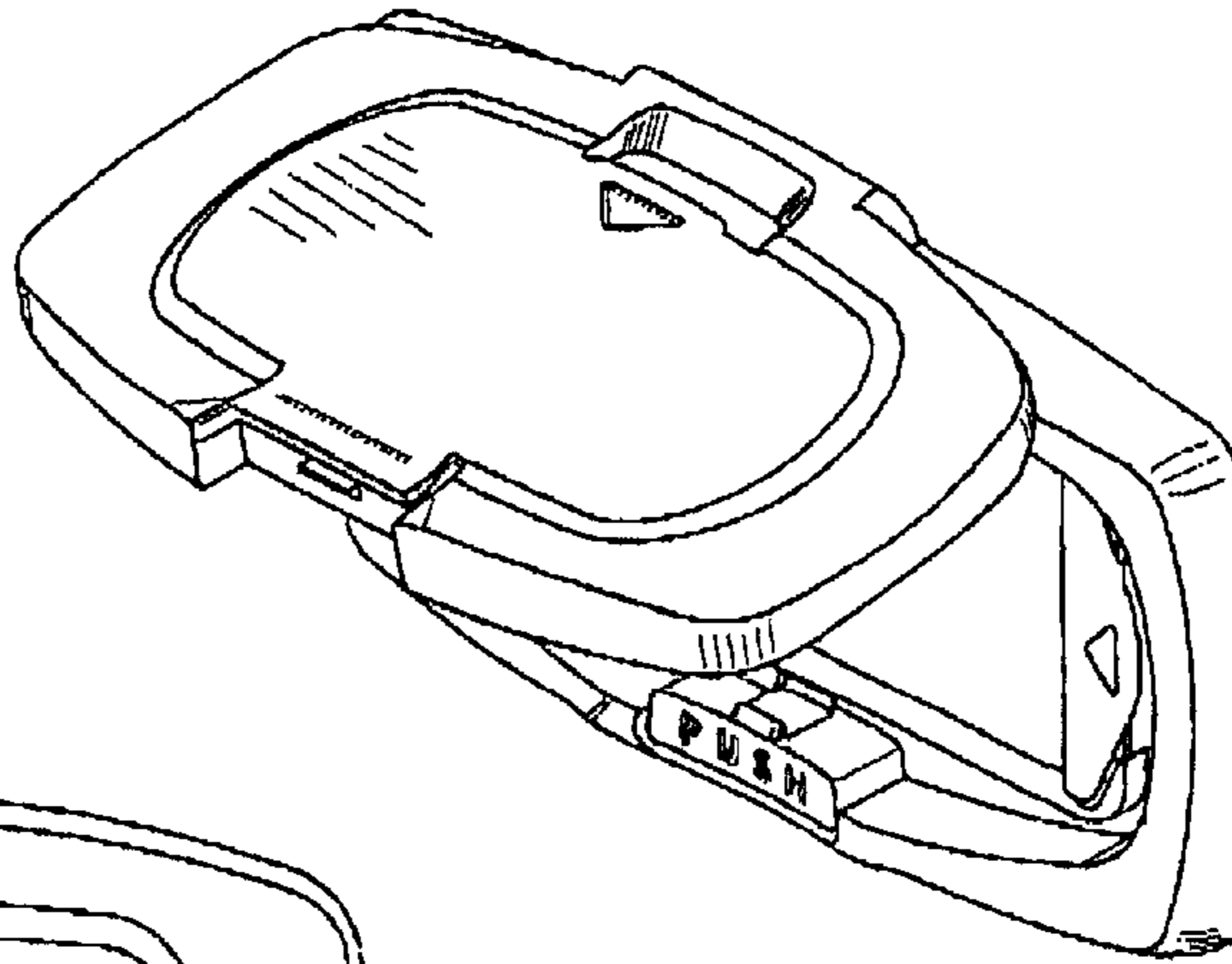


FIG. 6

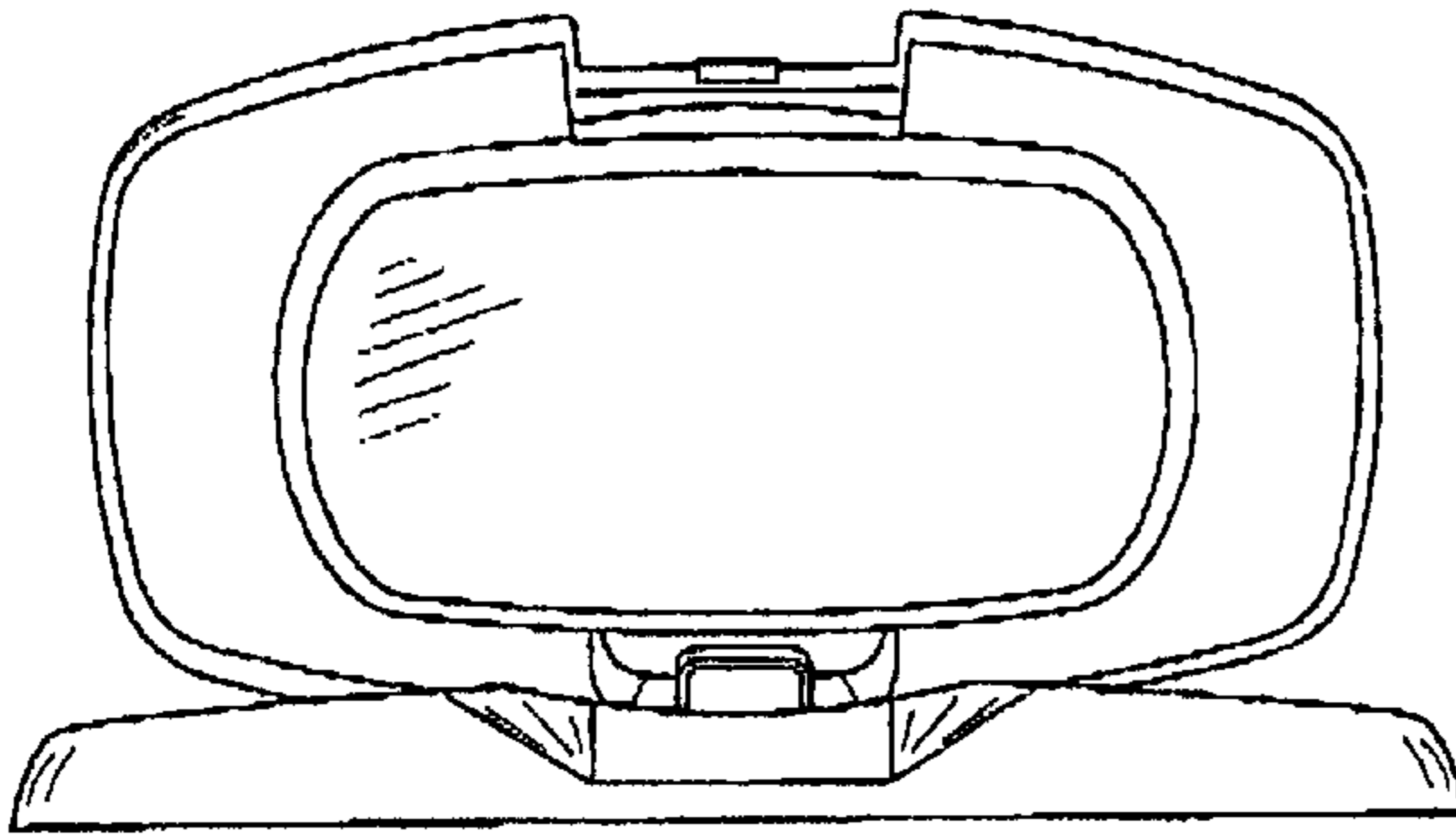


FIG. 9

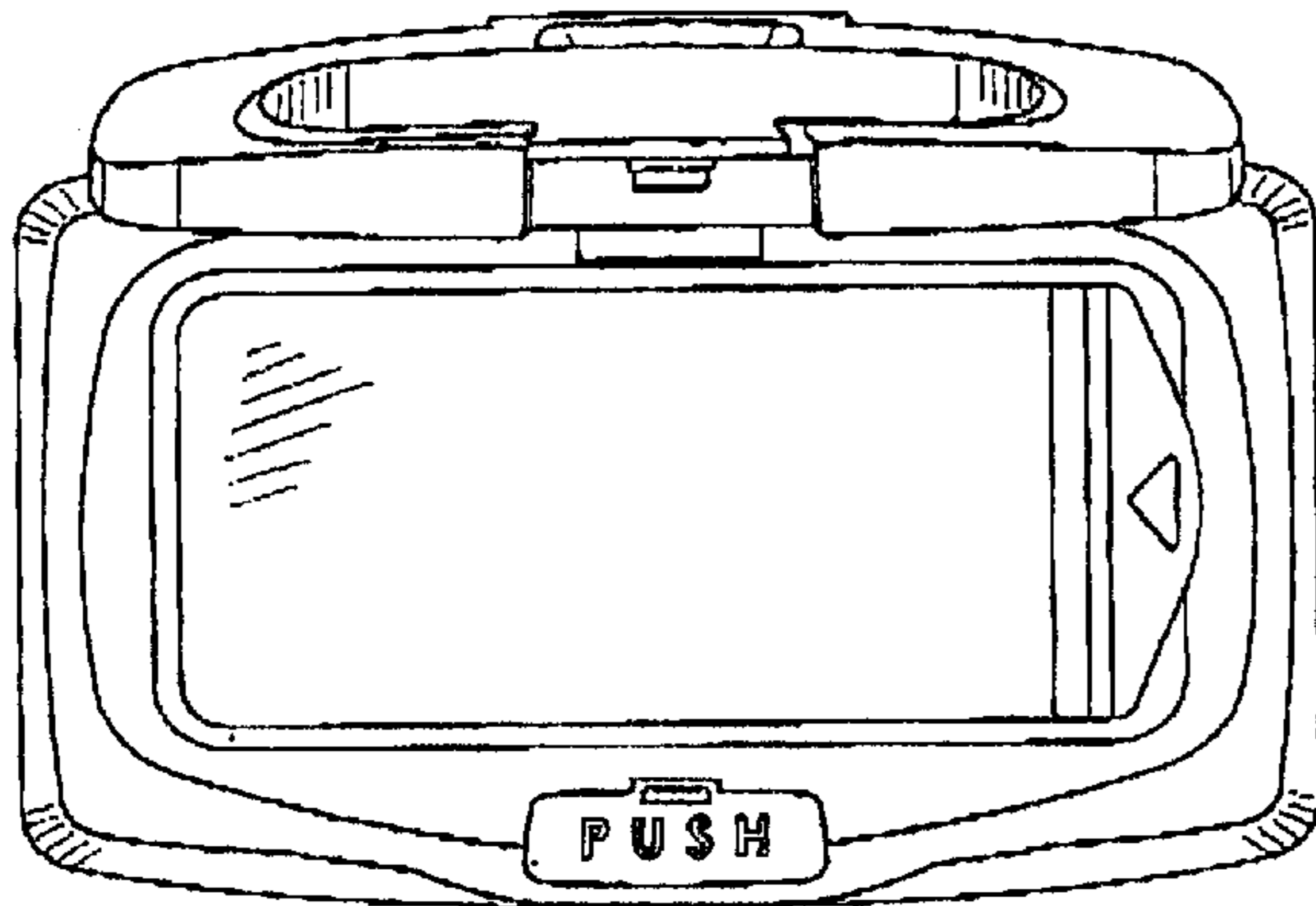


FIG. 7

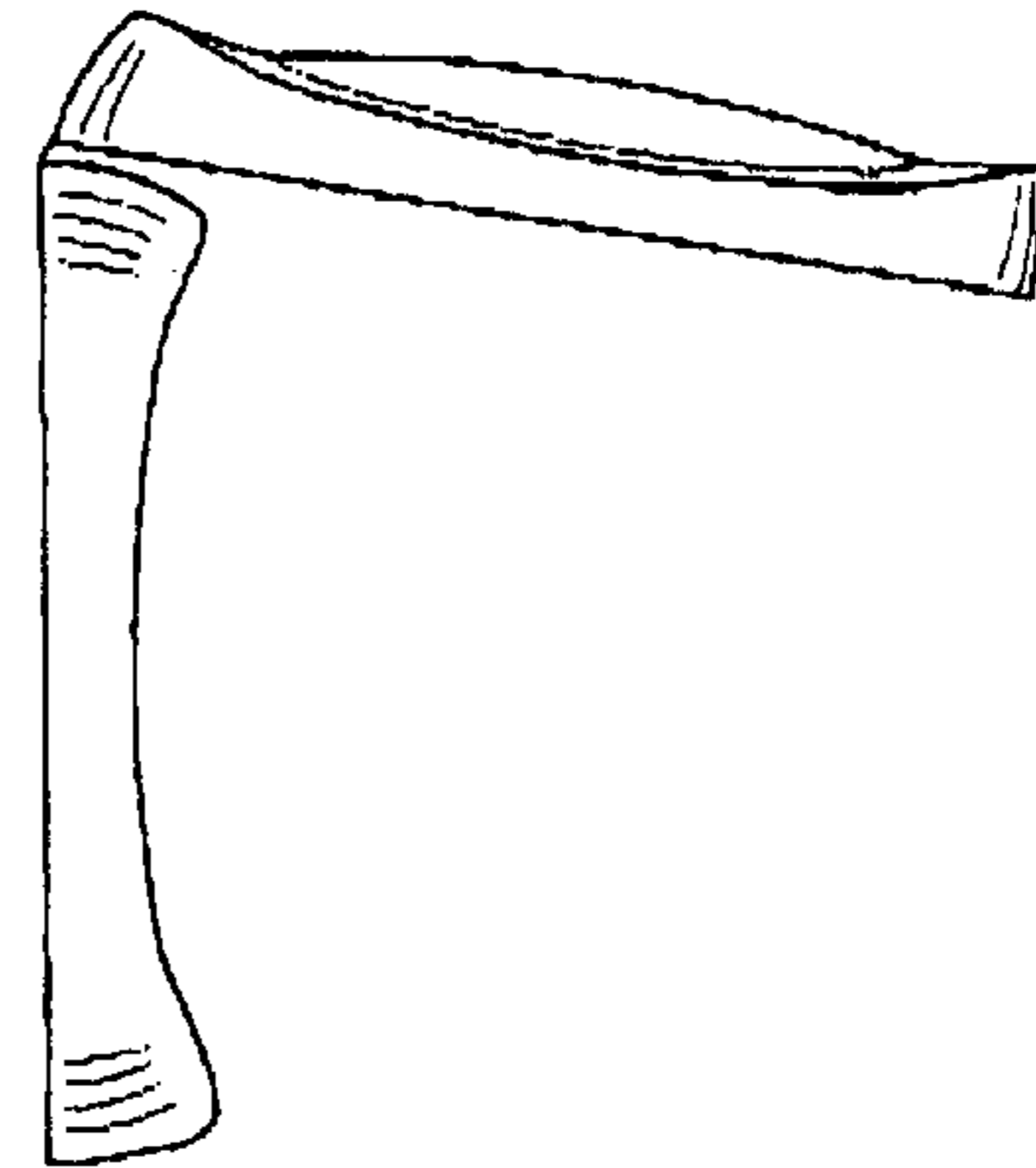


FIG. 10

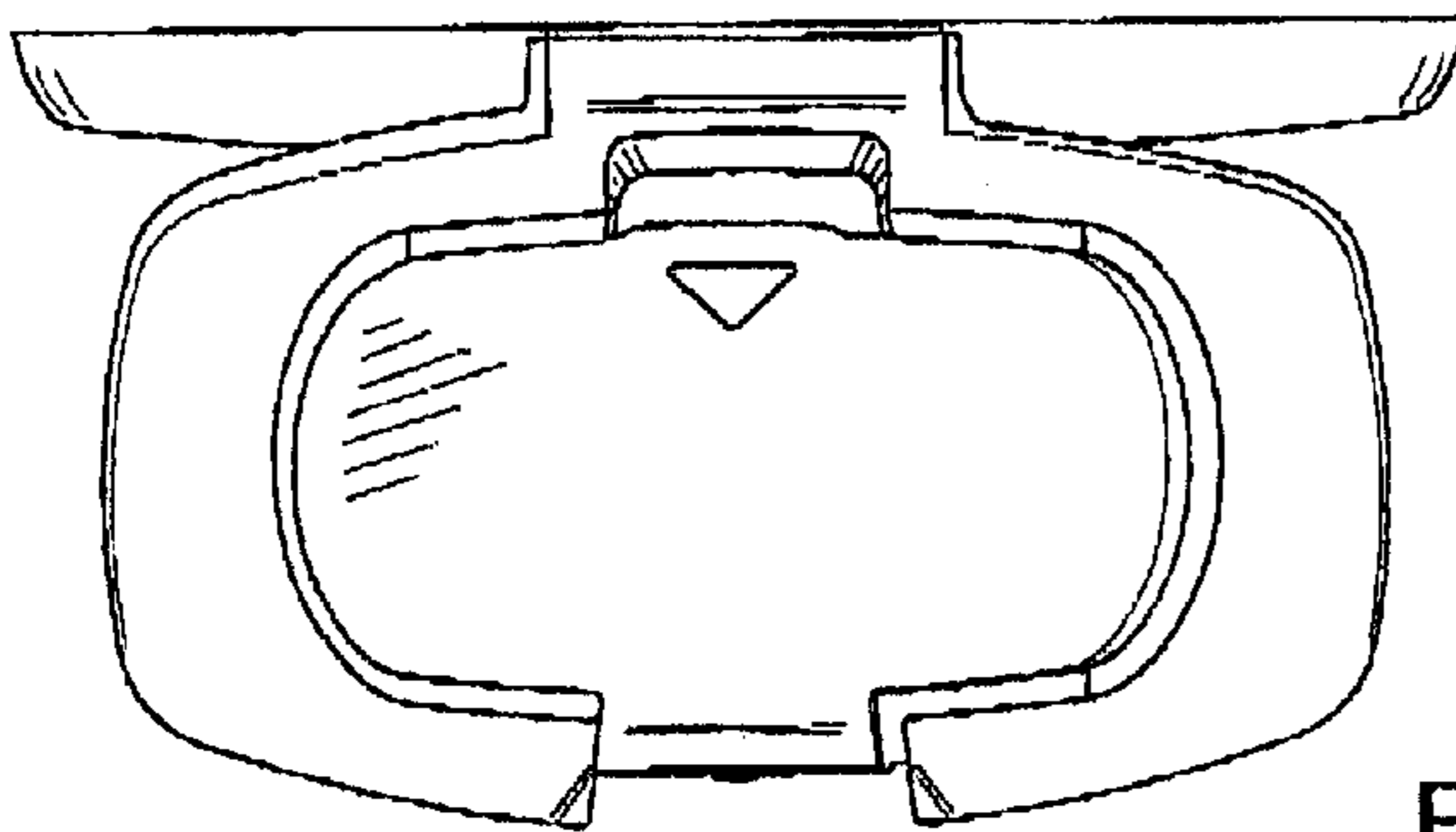


FIG. 8

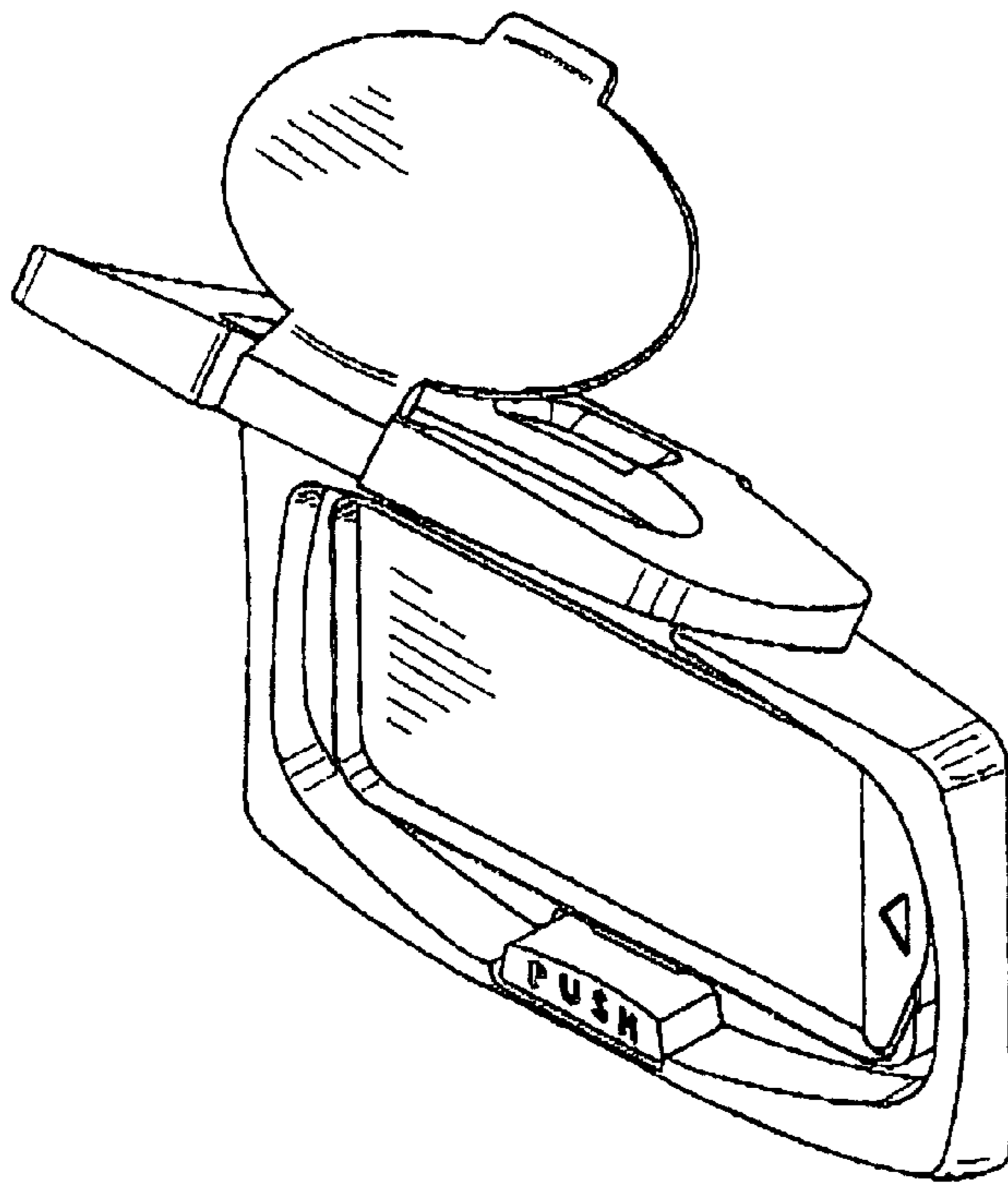


FIG. 11

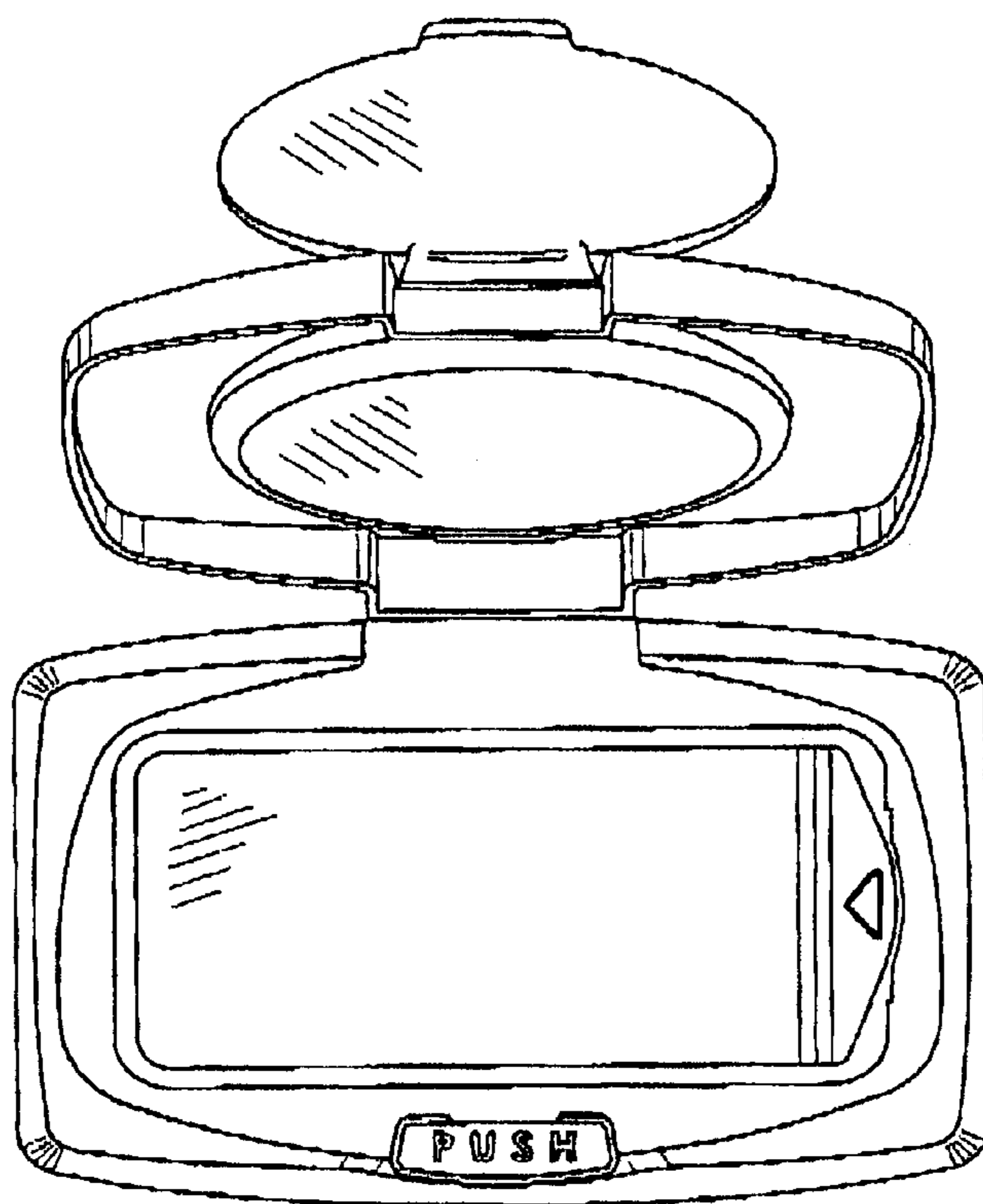


FIG. 12

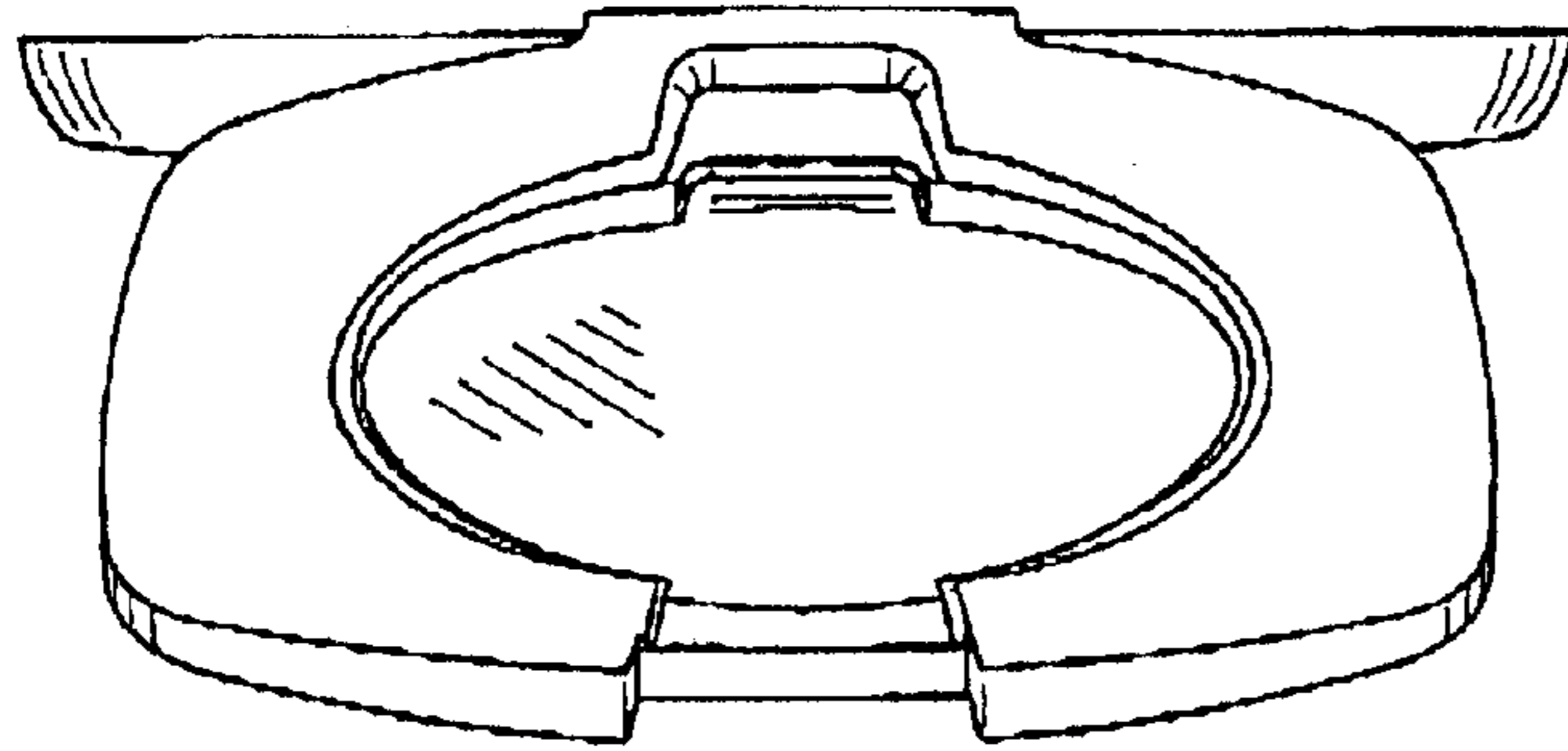


FIG. 13

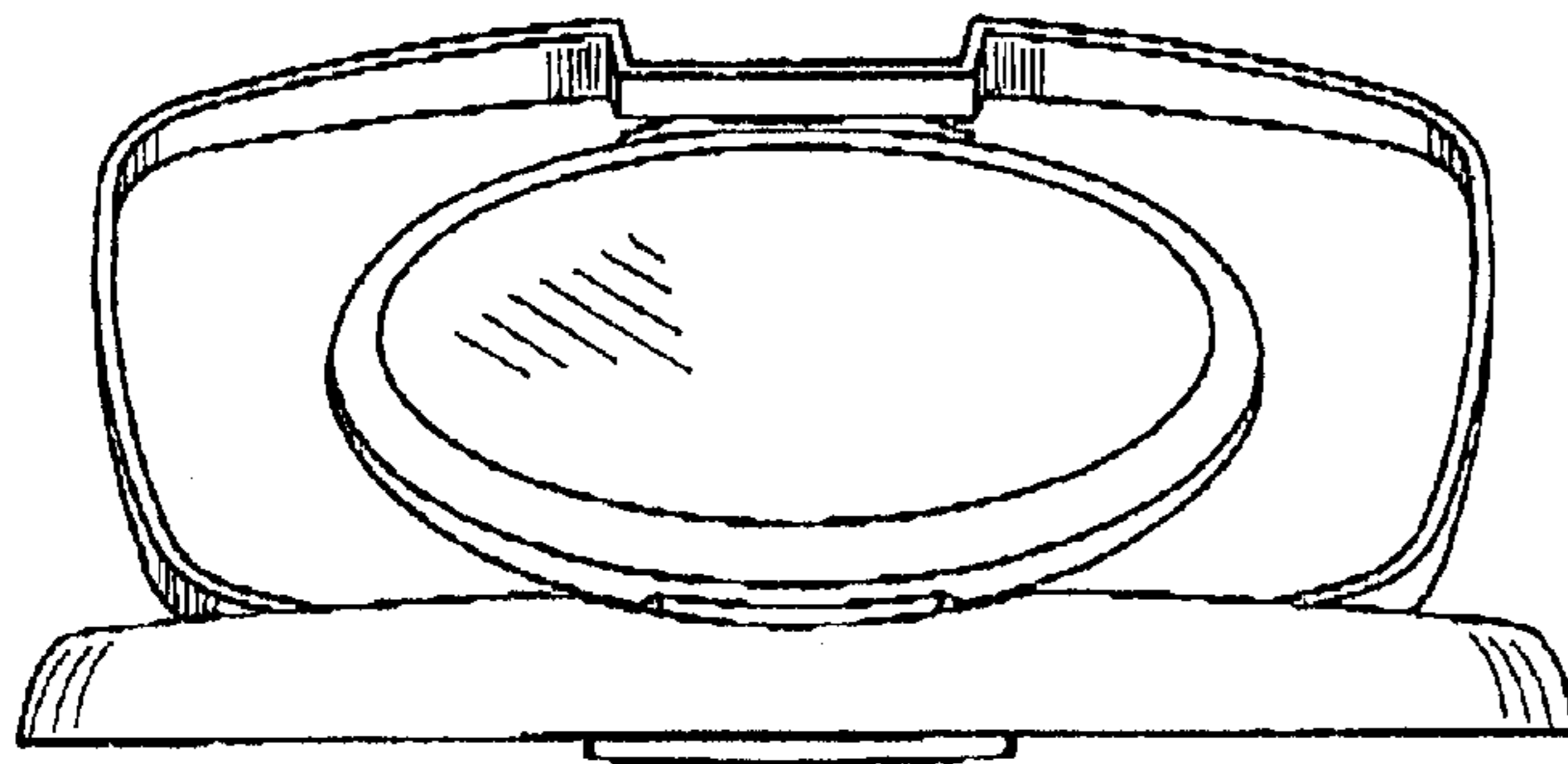


FIG. 14

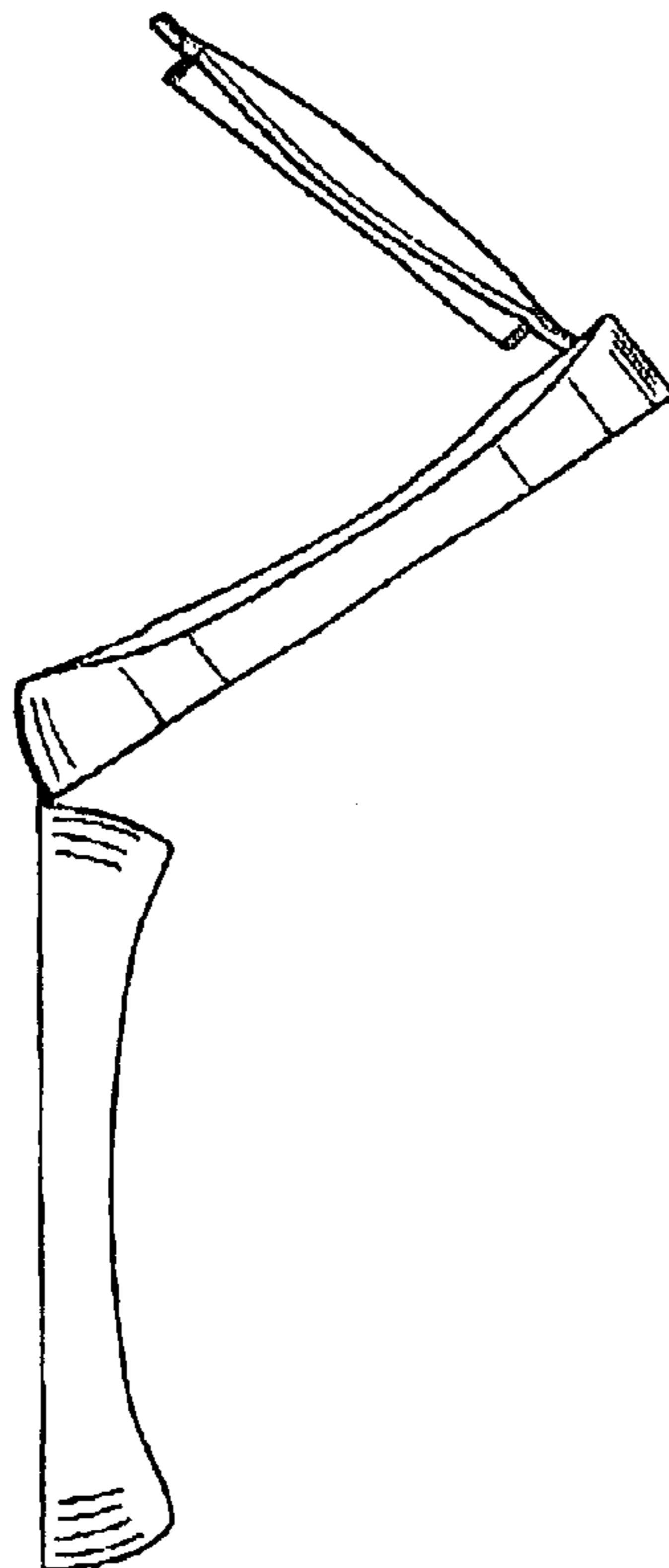


FIG. 15