

US00D506123S

(12) **United States Design Patent** (10) **Patent No.:** **US D506,123 S**
English et al. (45) **Date of Patent:** **** Jun. 14, 2005**

(54) **HOSE REEL BENCH**

(75) Inventors: **Stephen T. English**, Dillsburg, PA (US); **John R. Grishaber**, Mt. Wolf, PA (US); **Steven F. Brooker**, Marietta, OH (US)

(73) Assignee: **Ames True Temper, Inc.**, Camp Hill, PA (US)

(**) Term: **14 Years**

(21) Appl. No.: **29/187,610**

(22) Filed: **Aug. 4, 2003**

(51) **LOC (8) Cl.** **08-05**

(52) **U.S. Cl.** **D8/358**

(58) **Field of Search** D6/336, 349; D8/356, D8/358, 359; 137/355.16, 355.26, 355.27; 206/389, 398; 242/378, 378.1, 379, 379.2, 388, 388.1, 395, 396.1, 397, 398, 402, 403, 403.1, 404, 405, 405.1, 405.3, 532.6

(56) **References Cited**

U.S. PATENT DOCUMENTS

2,856,470 A	10/1958	Hyde
3,627,222 A	12/1971	Quenot
4,272,036 A	6/1981	Waterman
RE32,510 E	9/1987	Tisbo et al.
5,007,598 A	4/1991	Spear et al.
D317,113 S	5/1991	Fowler
D328,173 S	7/1992	Nelson
D349,039 S	7/1994	Goodman et al.
5,425,391 A	6/1995	Tisbo et al.

5,470,029 A	11/1995	Dufour	
5,683,055 A	11/1997	Dufour	
5,988,552 A	11/1999	Tisbo et al.	
D418,739 S	1/2000	Whitehead et al.	
6,050,291 A	4/2000	Whitehead et al.	
D432,002 S	10/2000	Anderson et al.	
D448,652 S	10/2001	Spear et al.	
D461,061 S	* 8/2002	Kent D6/336
6,591,858 B2	* 7/2003	Peterson 137/355.23
D478,803 S	* 8/2003	Markley D8/359
2003/0034417 A1	* 2/2003	Tisbo et al. 242/395
2004/0046078 A1	* 3/2004	Moon et al. 242/390.8

* cited by examiner

Primary Examiner—Joel A. Sincavage

Assistant Examiner—Elizabeth Albert

(74) *Attorney, Agent, or Firm*—Brij K. Agarwal; Eckert Seamans Cherin & Mellott, LLC

(57) **CLAIM**

The ornamental design for a hose reel bench, as shown and described.

DESCRIPTION

FIG. 1 is a front perspective view of a hose reel bench showing our new design;

FIG. 2 is a front elevational view thereof;

FIG. 3 is a rear elevational view thereof;

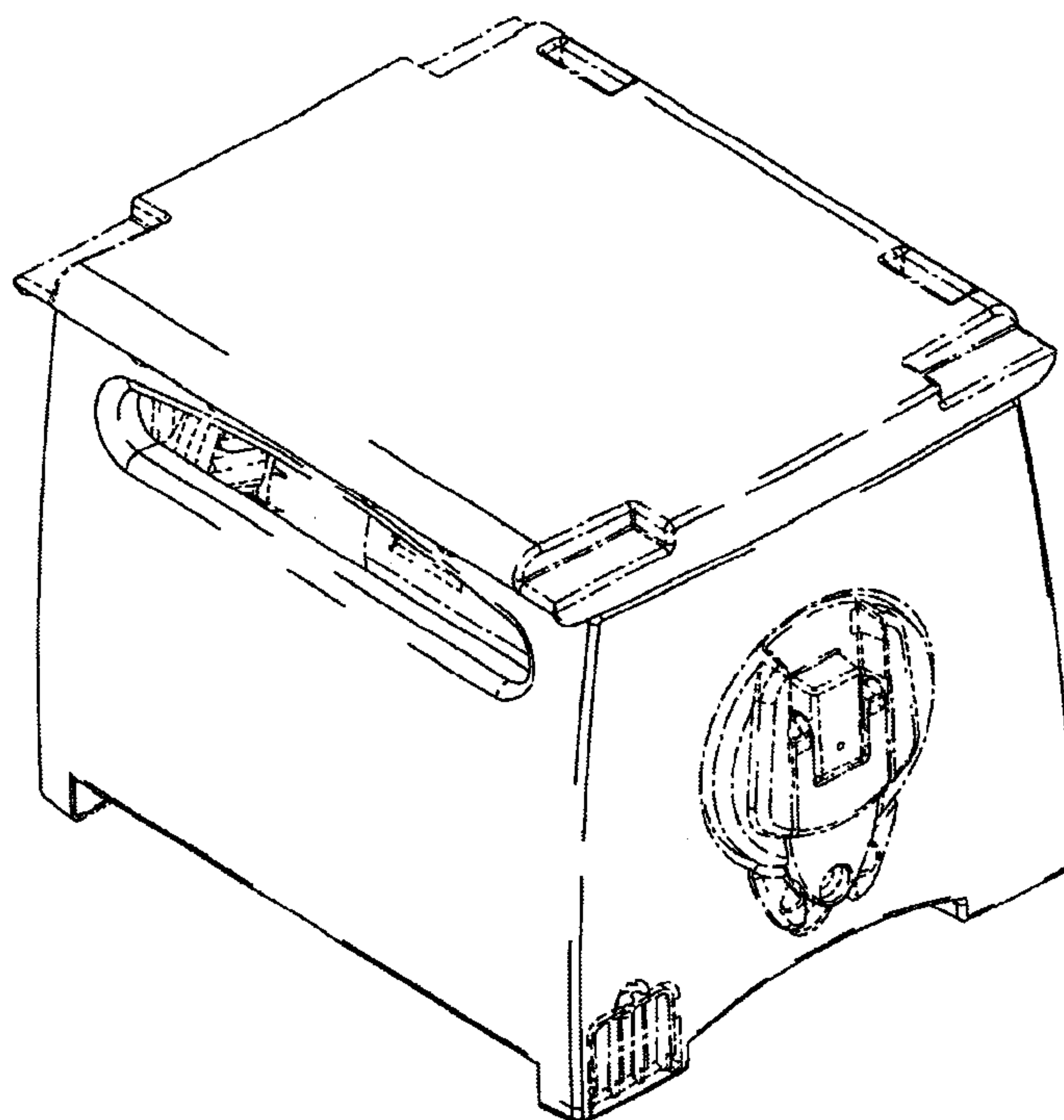
FIG. 4 is a right side elevational view thereof;

FIG. 5 is a left side elevational view thereof; and,

FIG. 6 is a top plan view thereof.

The broken lines shown in the drawings are for illustrative purposes only and form no part of the claimed design.

1 Claim, 6 Drawing Sheets



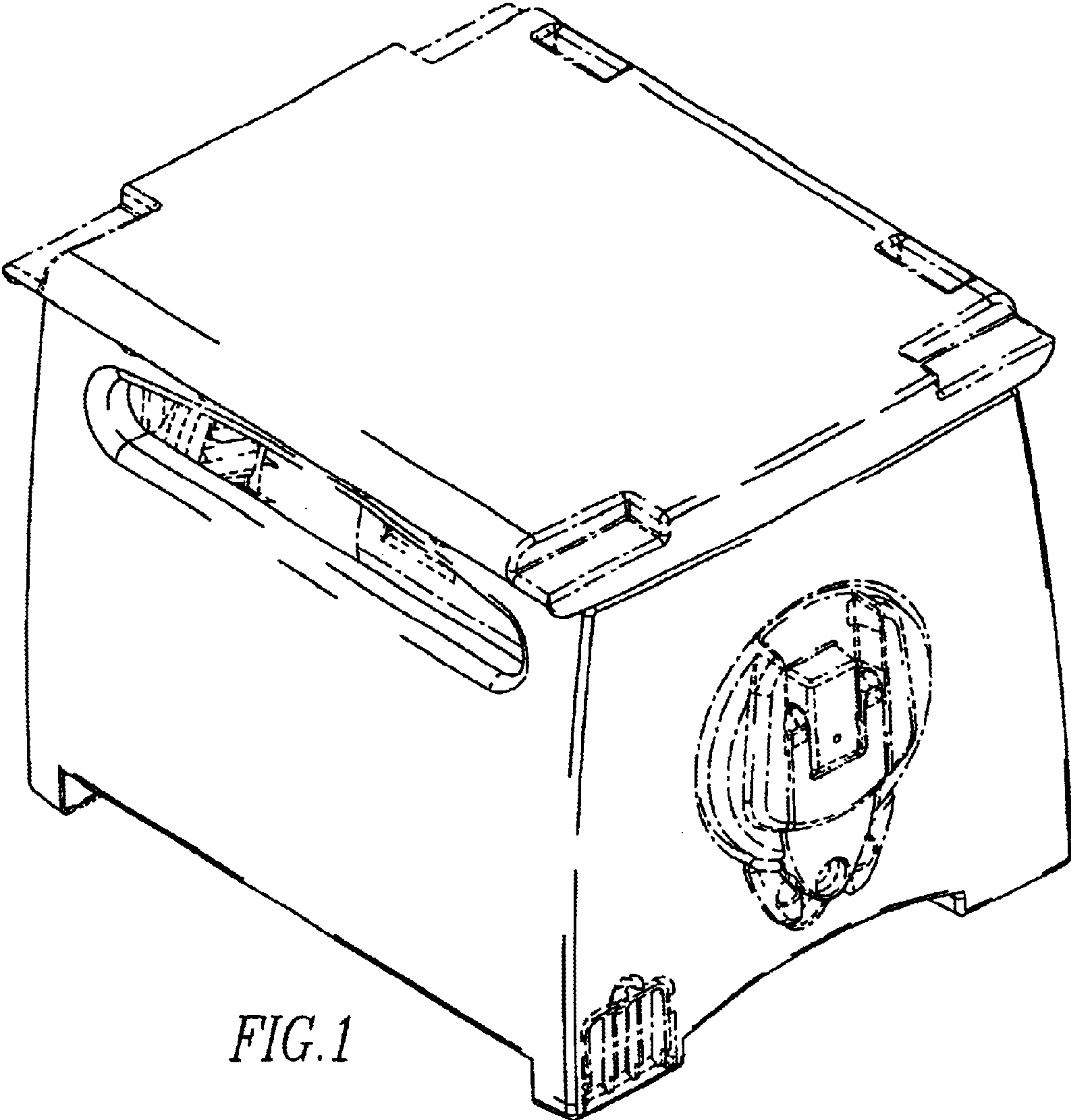


FIG. 1

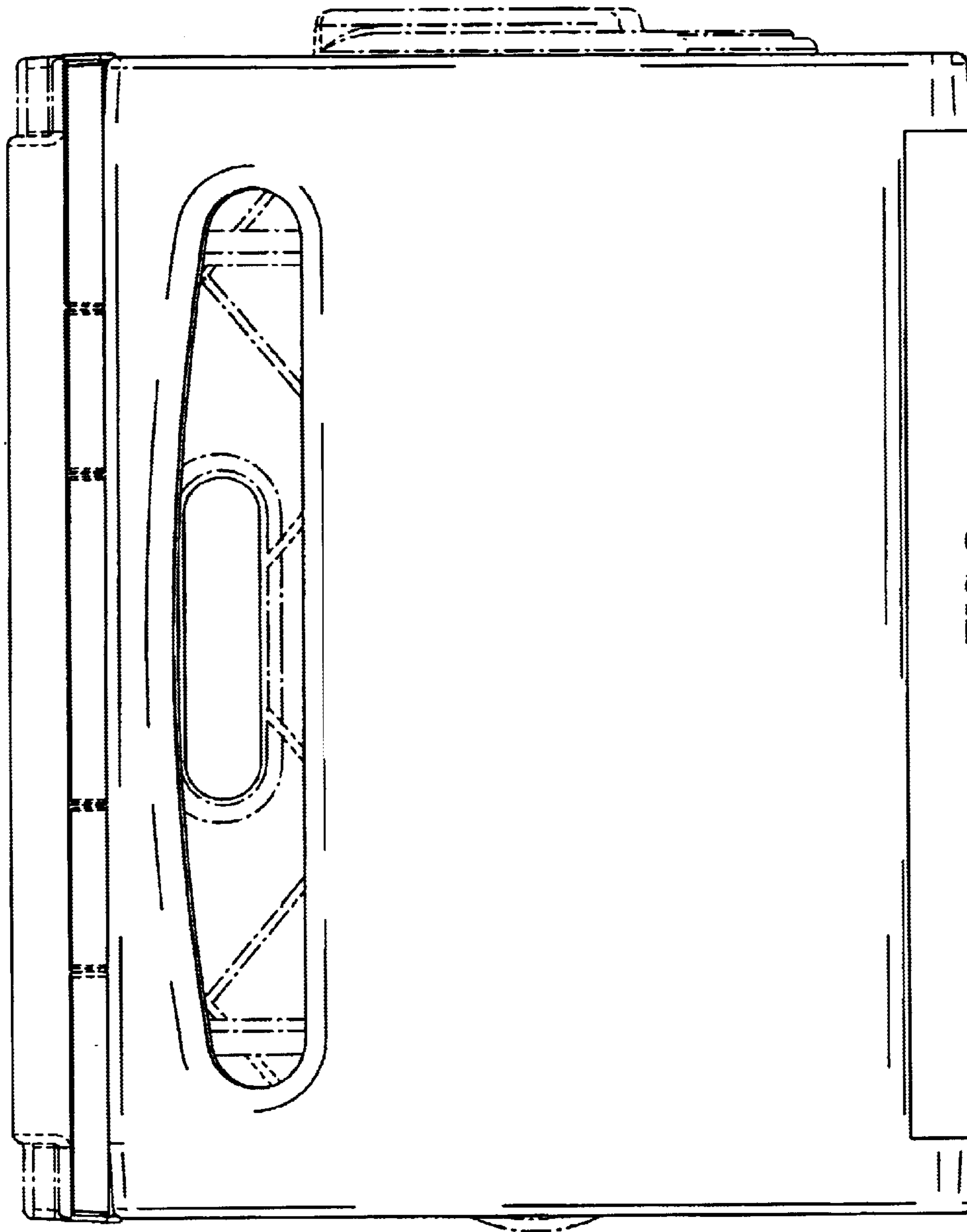


FIG. 2

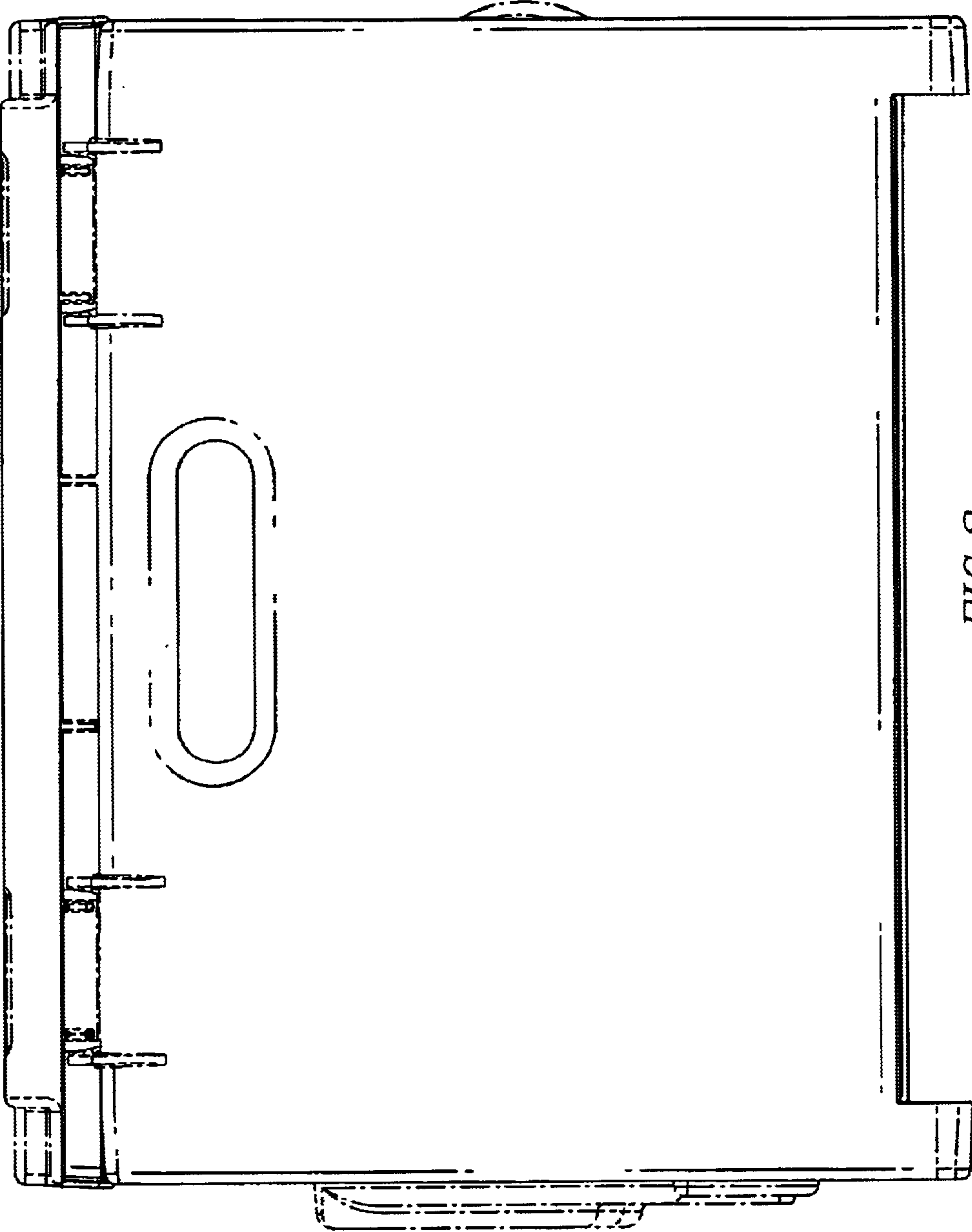


FIG. 3

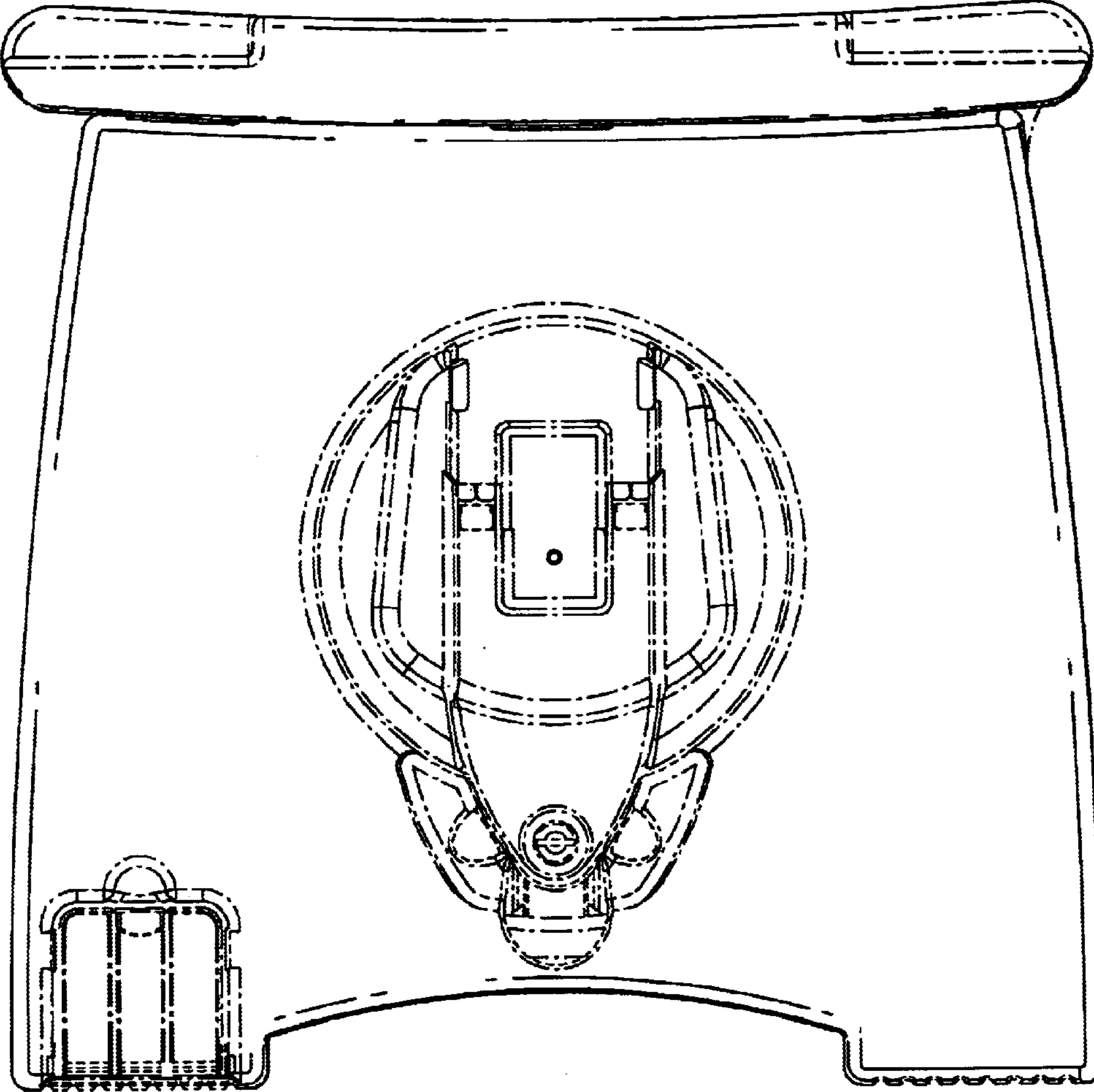


FIG. 4

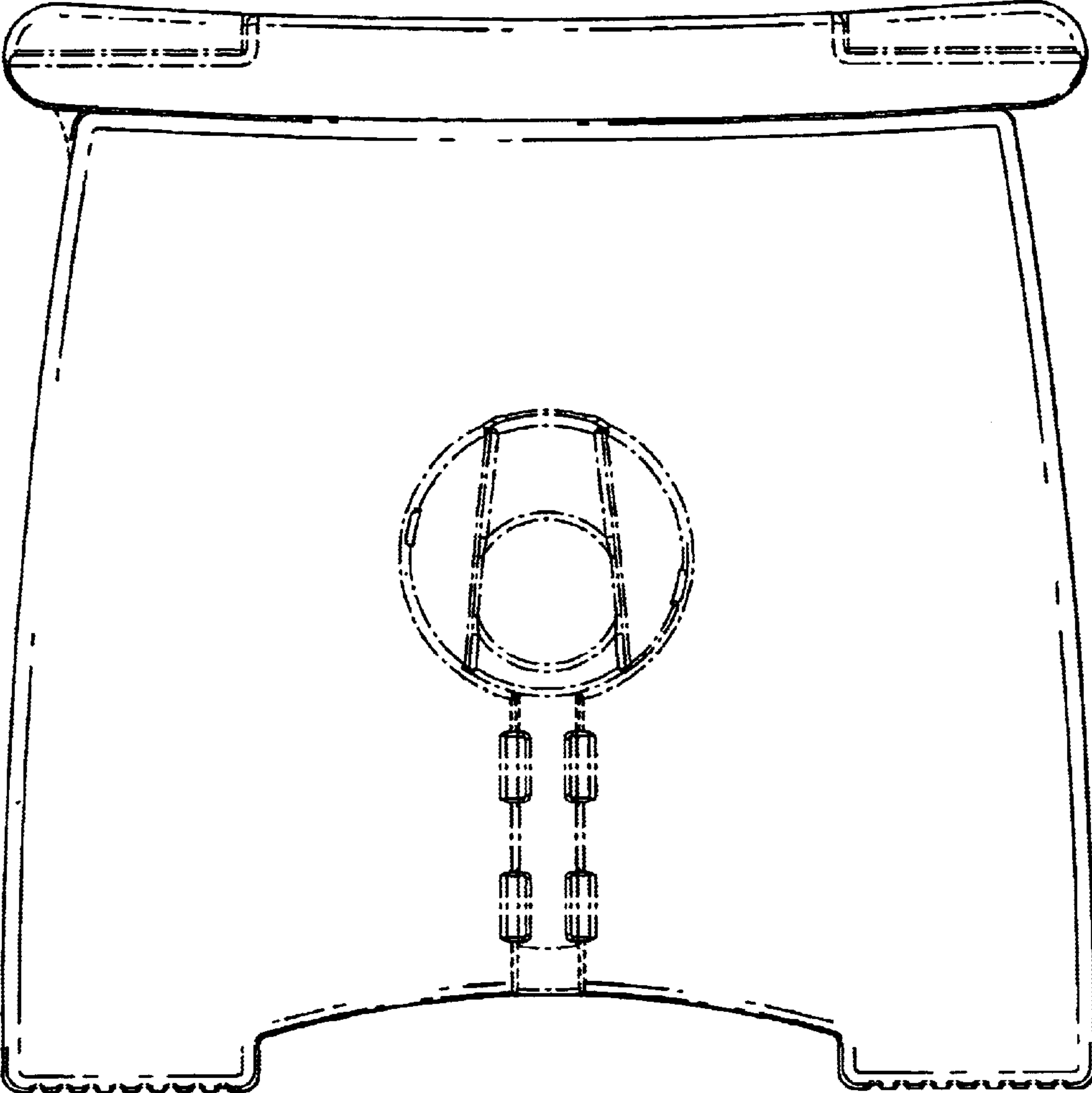


FIG. 5

FIG. 6

