

US00D506121S

(12) **United States Design Patent**  
**Falconer et al.**

(10) **Patent No.:** **US D506,121 S**  
(45) **Date of Patent:** **\*\* Jun. 14, 2005**

(54) **TRAILER TONGUE LOCK**  
(75) Inventors: **Robert P. Falconer**, Fort Worth, TX  
(US); **Jewel B. Smith**, Fort Worth, TX  
(US)  
(73) Assignee: **Blaylock Trailer Products, Inc.**, Forth  
Worth, TX (US)  
(\*\*) Term: **14 Years**

5,794,961 A 8/1998 Niswanger  
D402,602 S 12/1998 Niswanger  
D414,675 S 10/1999 Niswanger  
D417,133 S 11/1999 Niswanger  
D436,064 S 1/2001 Niswanger  
D450,231 S 11/2001 Niswanger  
D459,970 S 7/2002 Niswanger  
D493,690 S \* 8/2004 Melin ..... D8/331

\* cited by examiner

(21) Appl. No.: **29/204,479**  
(22) Filed: **Apr. 29, 2004**

*Primary Examiner*—Prabhakar Deshmukh  
(74) *Attorney, Agent, or Firm*—Bracewell & Patterson,  
L.L.P.

(51) **LOC (8) Cl.** ..... **08-07**  
(52) **U.S. Cl.** ..... **D8/331; D12/162**  
(58) **Field of Search** ..... D8/330, 331, 343-345;  
D12/162, 400; 70/14, 51, 52, 91, 101, 106,  
141, 258, 431, DIG. 26; 292/268, 358,  
359, DIG. 5, DIG. 6

(57) **CLAIM**

The ornamental design for a trailer tongue lock, as shown.

**DESCRIPTION**

FIG. 1 is a perspective view of a trailer tongue lock embodying our new design.  
FIG. 2 is a side view of the trailer tongue lock of FIG. 1 as seen from the left side.  
FIG. 3 is a side view of the trailer tongue lock of FIG. 1 as seen from the right side.  
FIG. 4 is a rear view of the trailer tongue lock of FIG. 1.  
FIG. 5 is a front view of the trailer tongue lock of FIG. 1.  
FIG. 6 is a top view of the trailer tongue lock of FIG. 1; and,  
FIG. 7 is a bottom view of the trailer tongue lock of FIG. 1.

(56) **References Cited**  
U.S. PATENT DOCUMENTS

4,459,832 A \* 7/1984 Avrea et al. .... 70/14  
4,577,884 A \* 3/1986 Harris ..... 280/507  
D297,706 S \* 9/1988 Falk ..... D8/331  
4,840,256 A \* 6/1989 Webb ..... 188/112 R  
5,259,223 A \* 11/1993 Nee ..... 70/232  
5,332,251 A \* 7/1994 Farquhar ..... 280/507  
D350,054 S \* 8/1994 Richter ..... D8/331

**1 Claim, 4 Drawing Sheets**

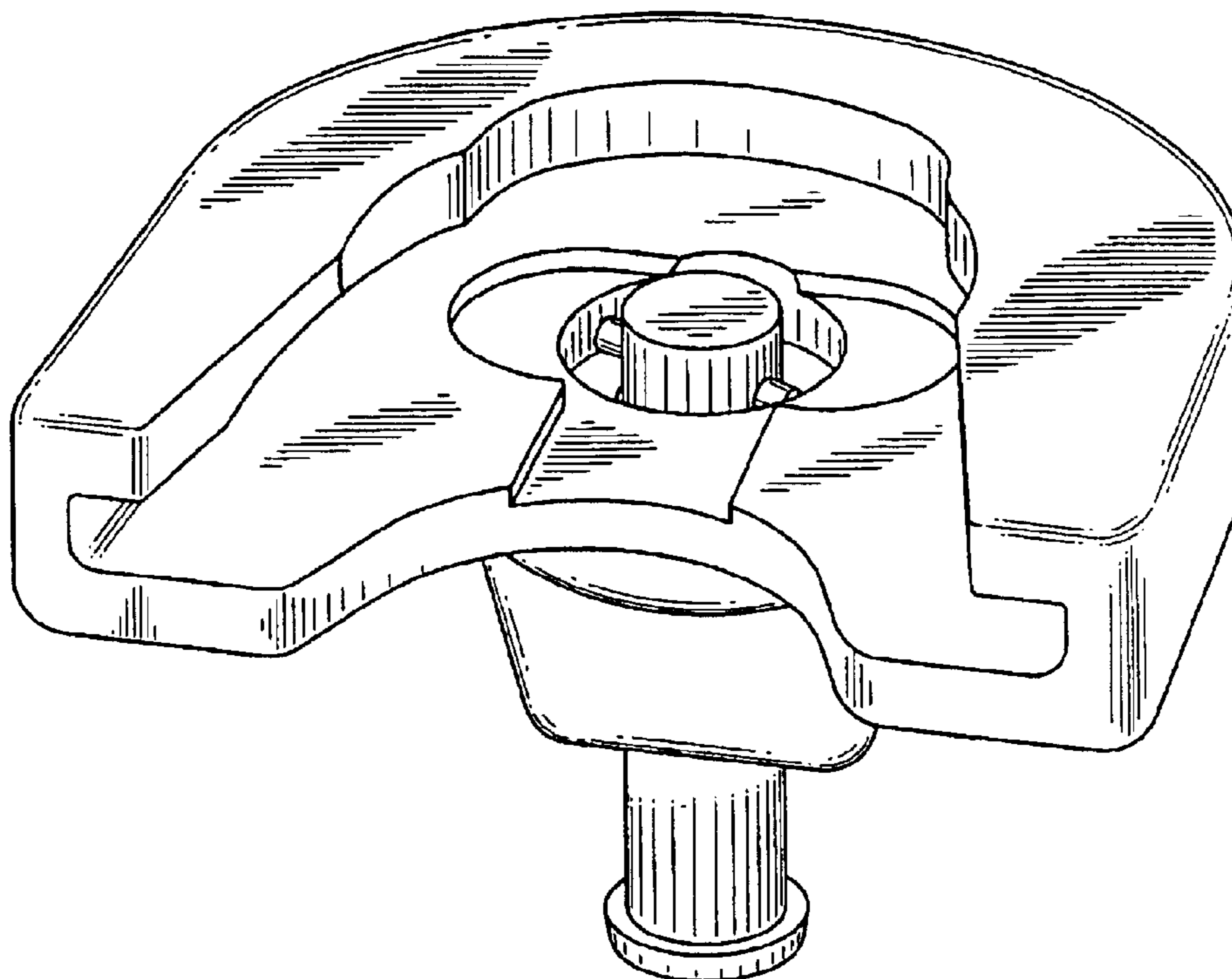


Fig. 1

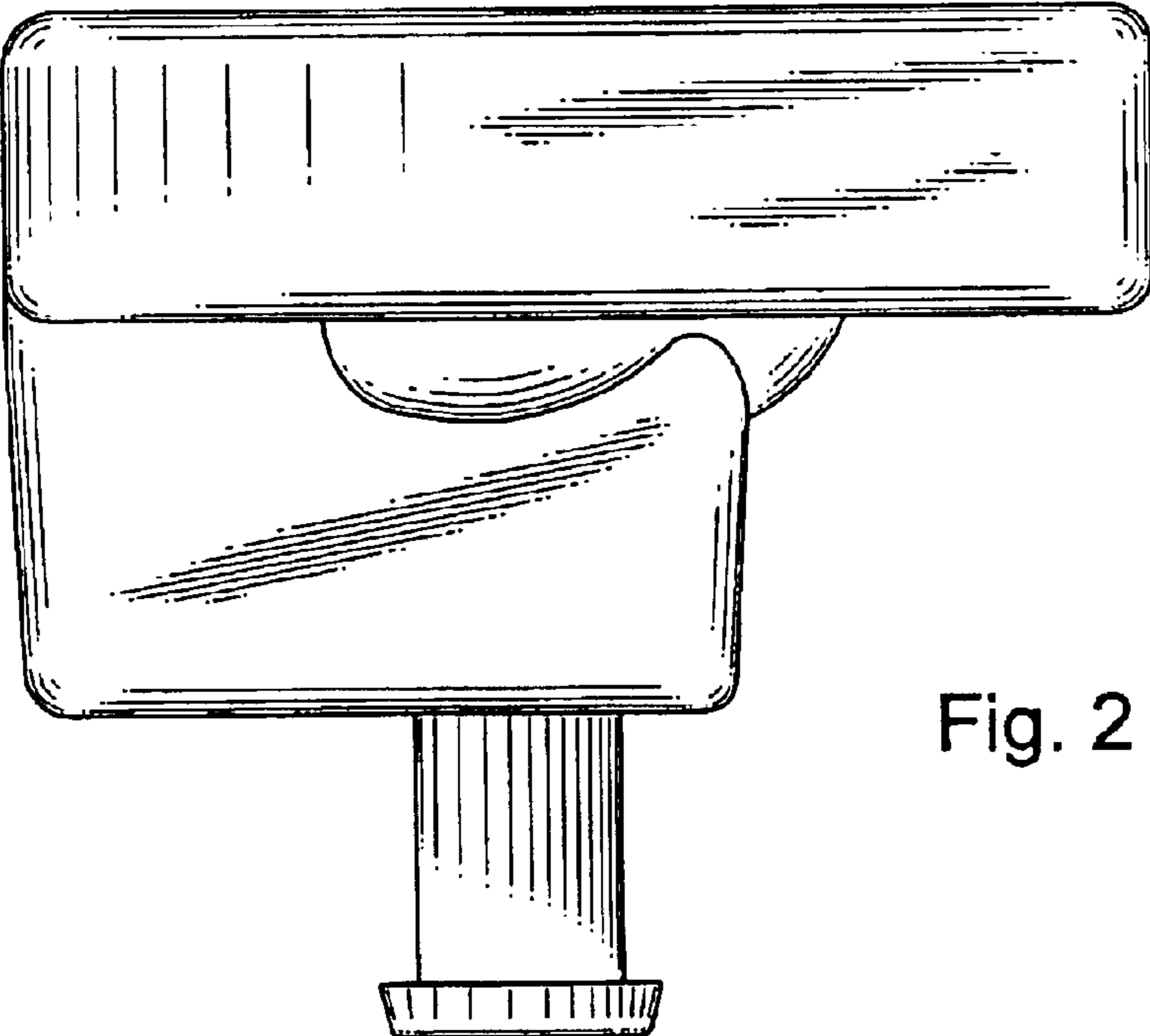
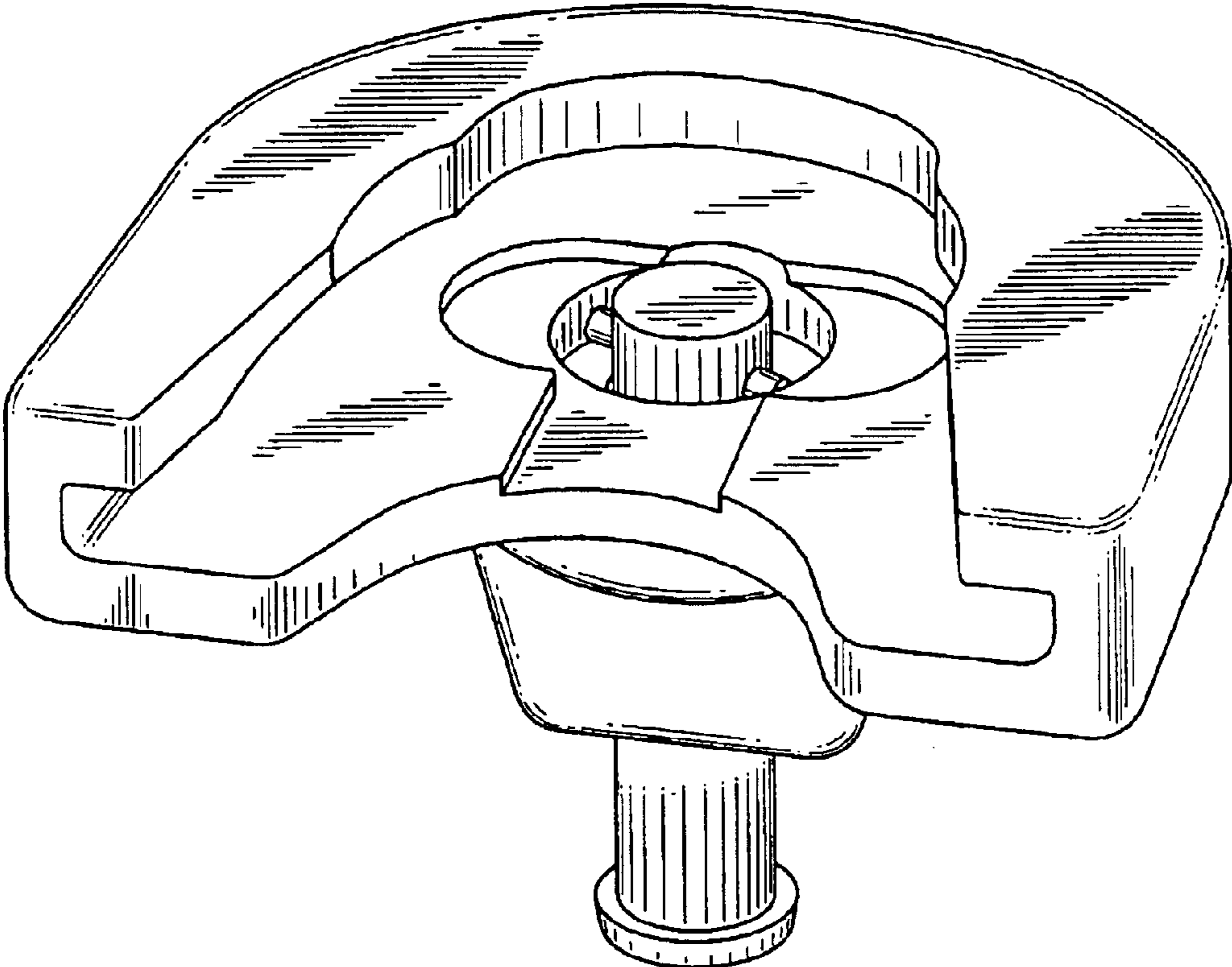


Fig. 2

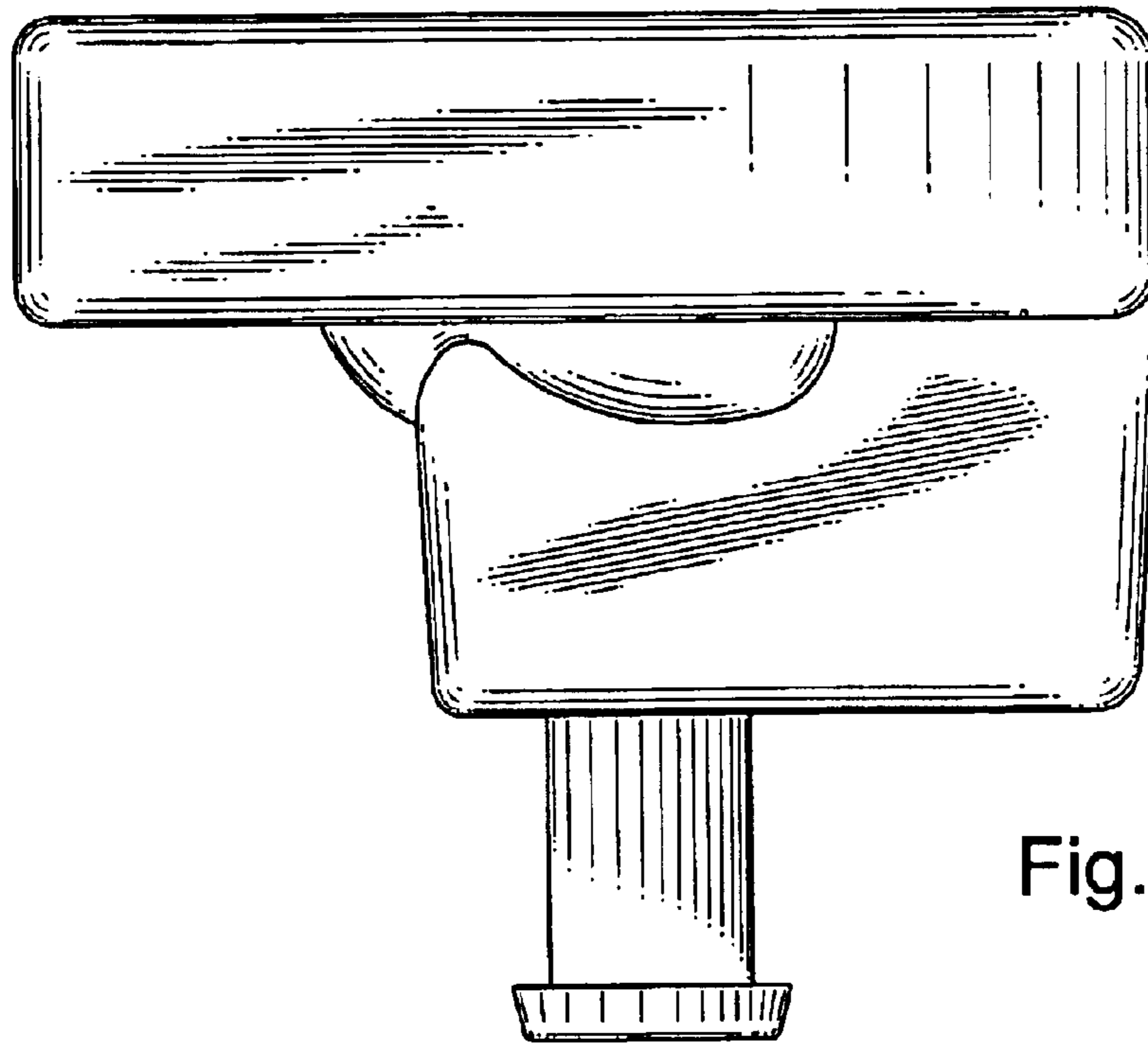


Fig. 3

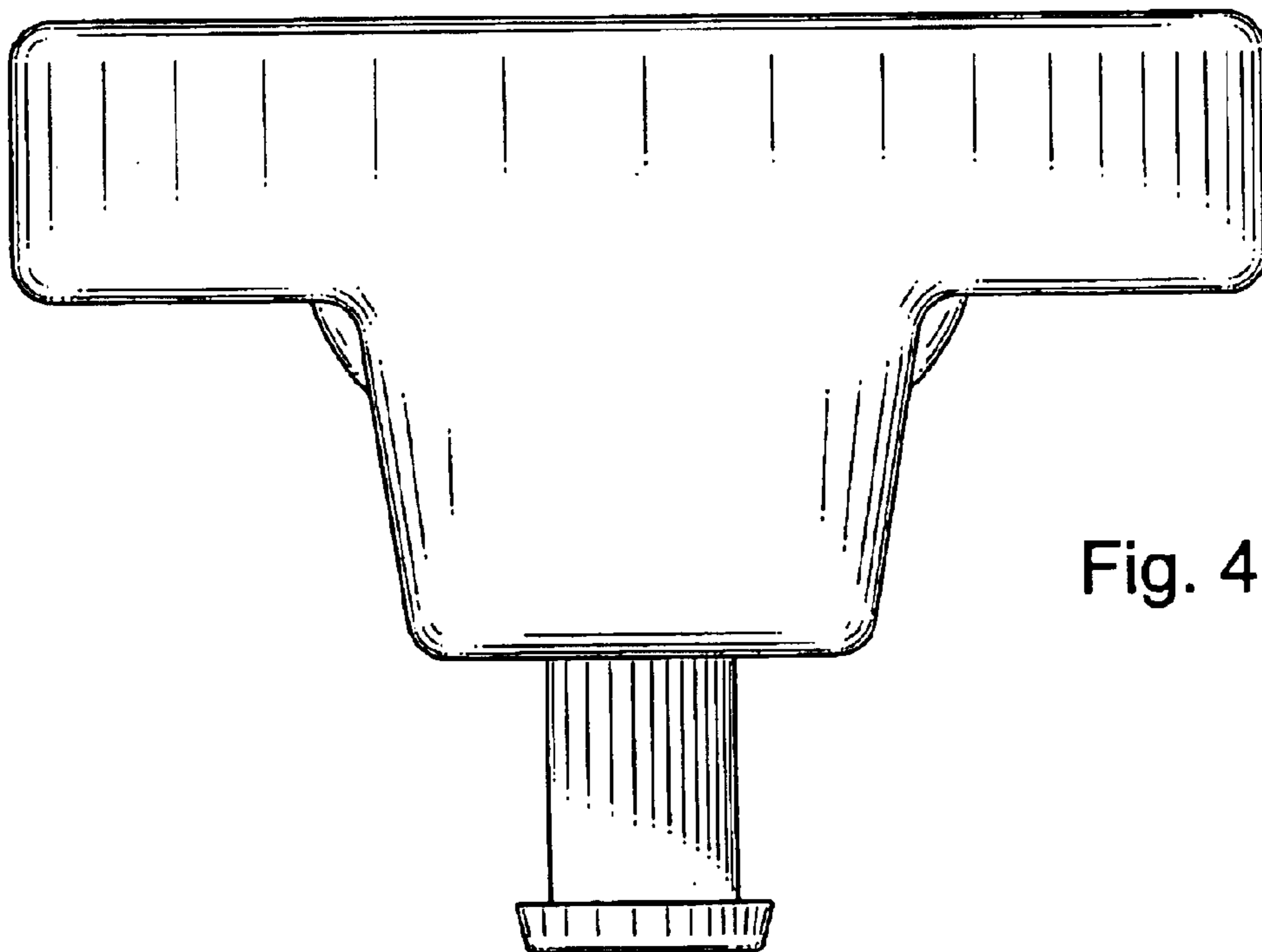


Fig. 4

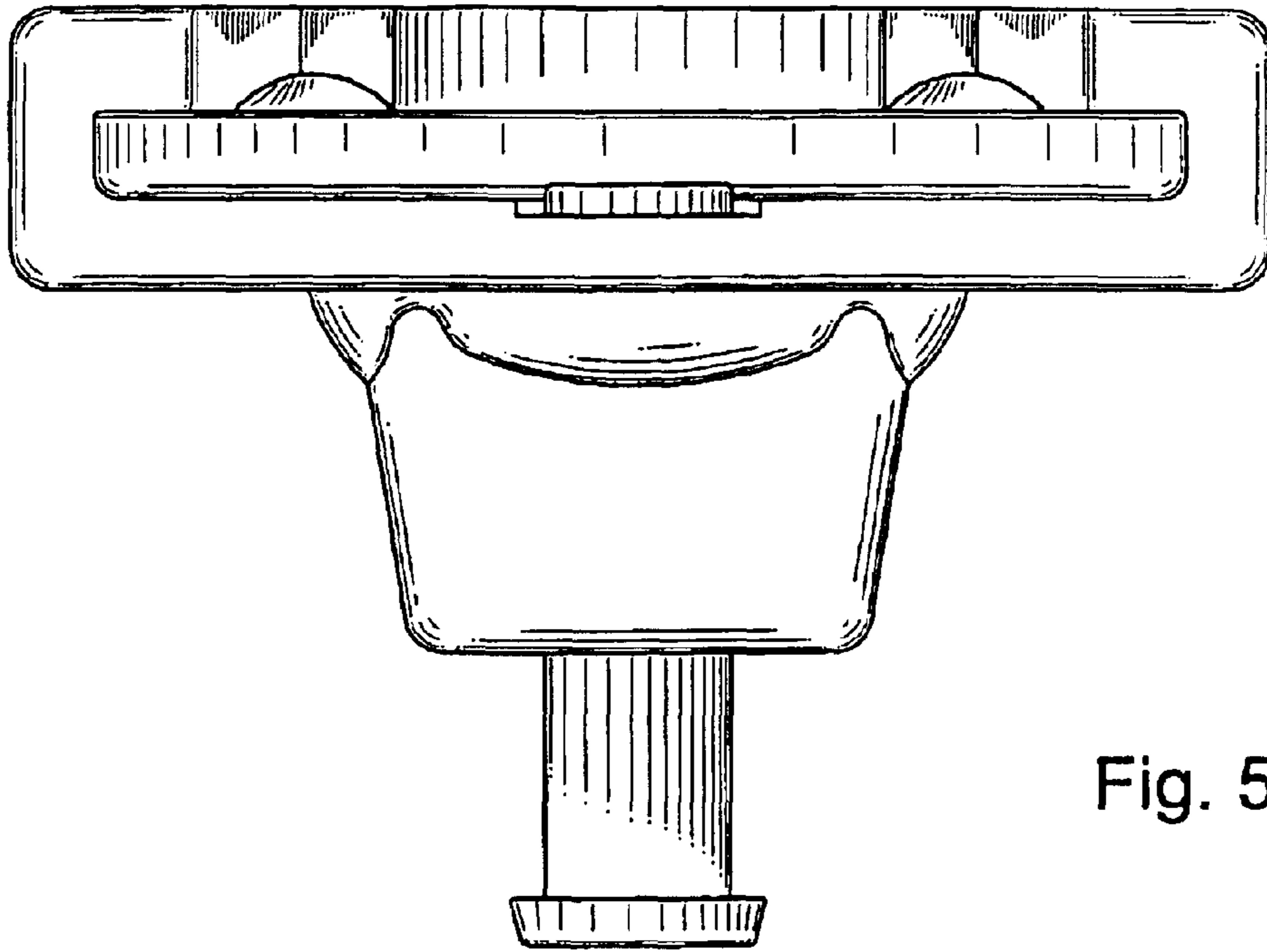


Fig. 5

Fig. 6

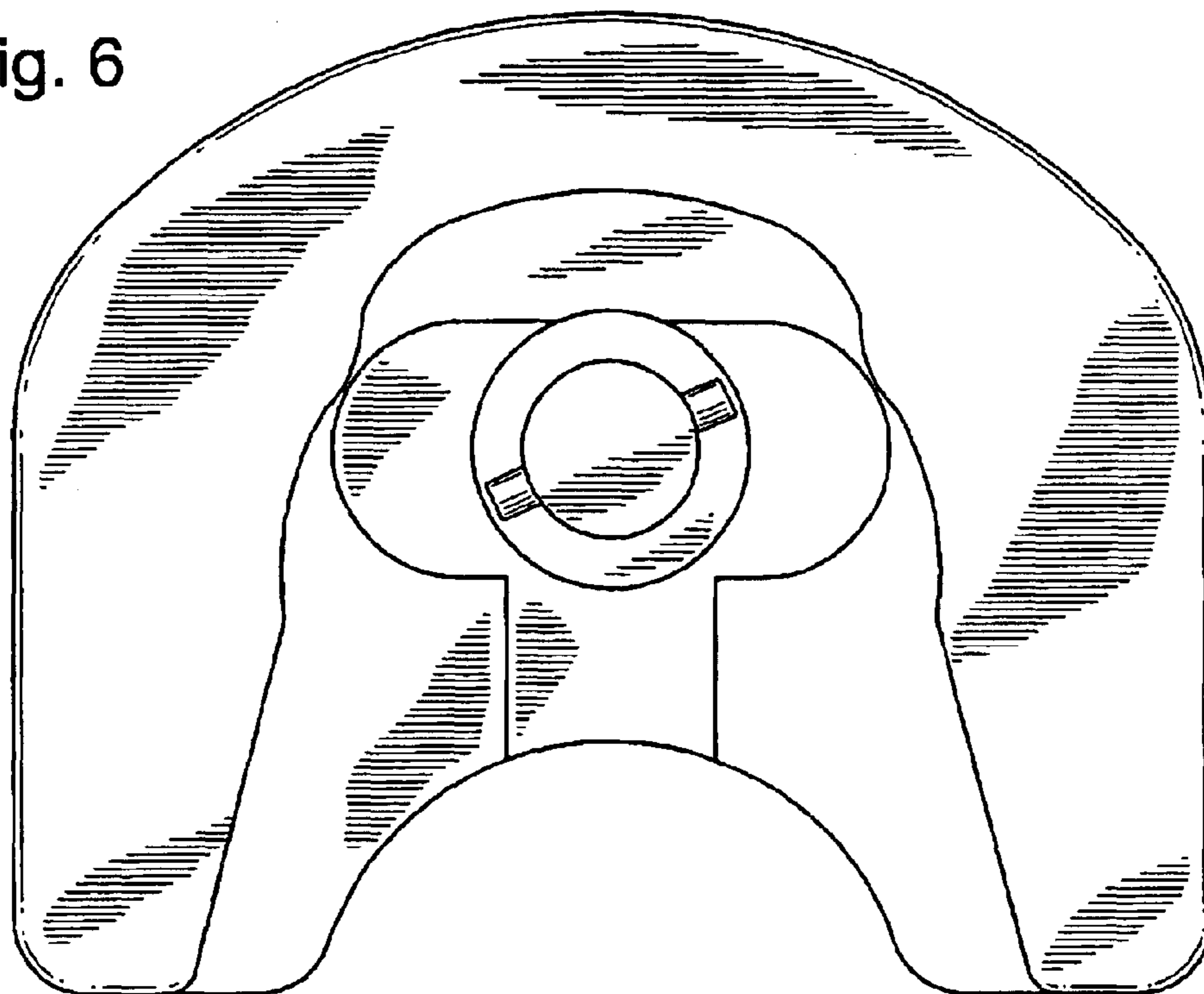


Fig. 7

