



US00D506116S

(12) **United States Design Patent**
Adachi

(10) **Patent No.:** **US D506,116 S**
(45) **Date of Patent:** **** Jun. 14, 2005**

(54) **PORTION OF SCISSORS**

(75) Inventor: **Hidemi Adachi, Seki (JP)**

(73) Assignee: **Adachi Industry Co., Ltd., Gifu (JP)**

(**) Term: **14 Years**

(21) Appl. No.: **29/206,617**

(22) Filed: **Jun. 1, 2004**

(30) **Foreign Application Priority Data**

Dec. 2, 2003 (JP) 2003-035792

(51) **LOC (8) Cl.** **08-05**

(52) **U.S. Cl.** **D8/57**

(58) **Field of Search** D8/57, 107; 7/135,
7/136; 30/131, 195, 358, 229-262

(56) **References Cited**

U.S. PATENT DOCUMENTS

2,184,909	A	*	12/1939	Abraham	30/256
3,175,291	A	*	3/1965	Nardo	30/254
3,825,020	A	*	7/1974	Myers	132/200
4,073,058	A	*	2/1978	Solf et al.	30/257
5,517,762	A	*	5/1996	Kuribayashi	30/260

* cited by examiner

Primary Examiner—Clare E Heflin

(74) *Attorney, Agent, or Firm*—Muramatsu & Associates

(57) **CLAIM**

The ornamental design for a portion of scissors, as shown and descibed.

DESCRIPTION

FIG. 1 is a front view of a portion of scissors of my new design,

FIG. 2 is a front view thereof when the scissors is opened,

FIG. 3 is an enlarged cross sectional view thereof taken along 3—3 line of FIG. 2,

FIG. 4 is a plan view thereof,

FIG. 5 is a bottom view thereof,

FIG. 6 is a rear view thereof,

FIG. 7 is a right side view thereof,

FIG. 8 is a left side view thereof,

FIG. 9 is an enlarged left side view thereof for a range X of FIG. 8; and,

FIG. 10 is a perspective view thereof.

The broken lines shown on the drawings are for illustrative purposes only and form no part of the claimed design.

1 Claim, 3 Drawing Sheets

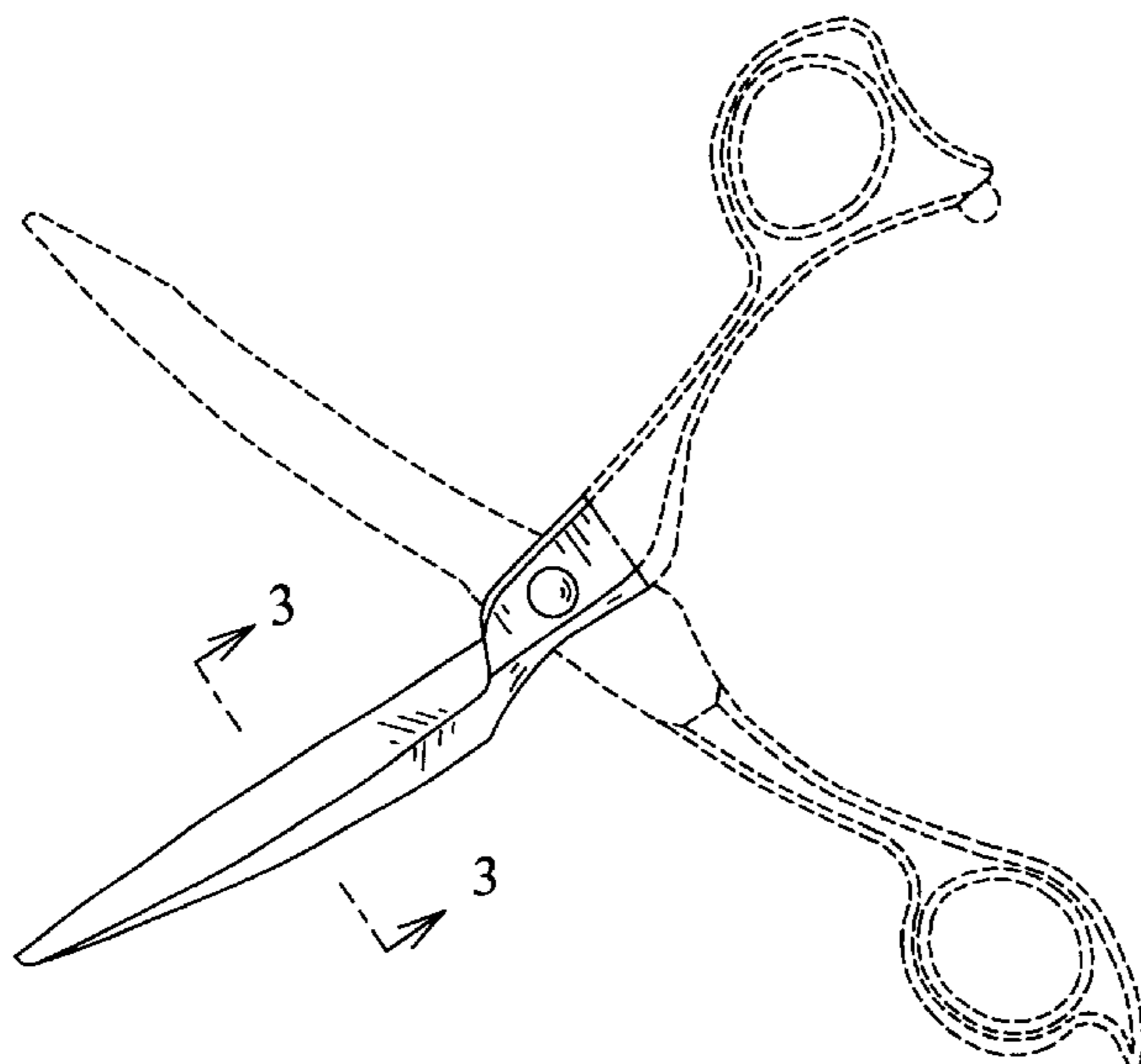
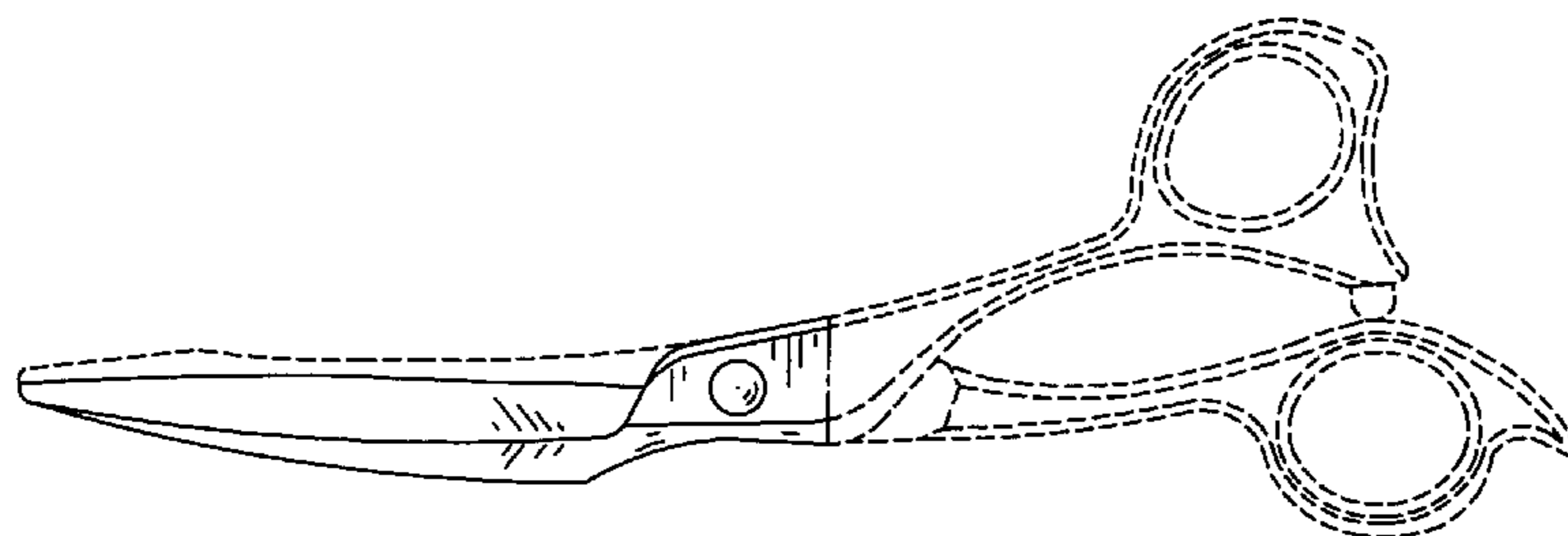


Fig.1

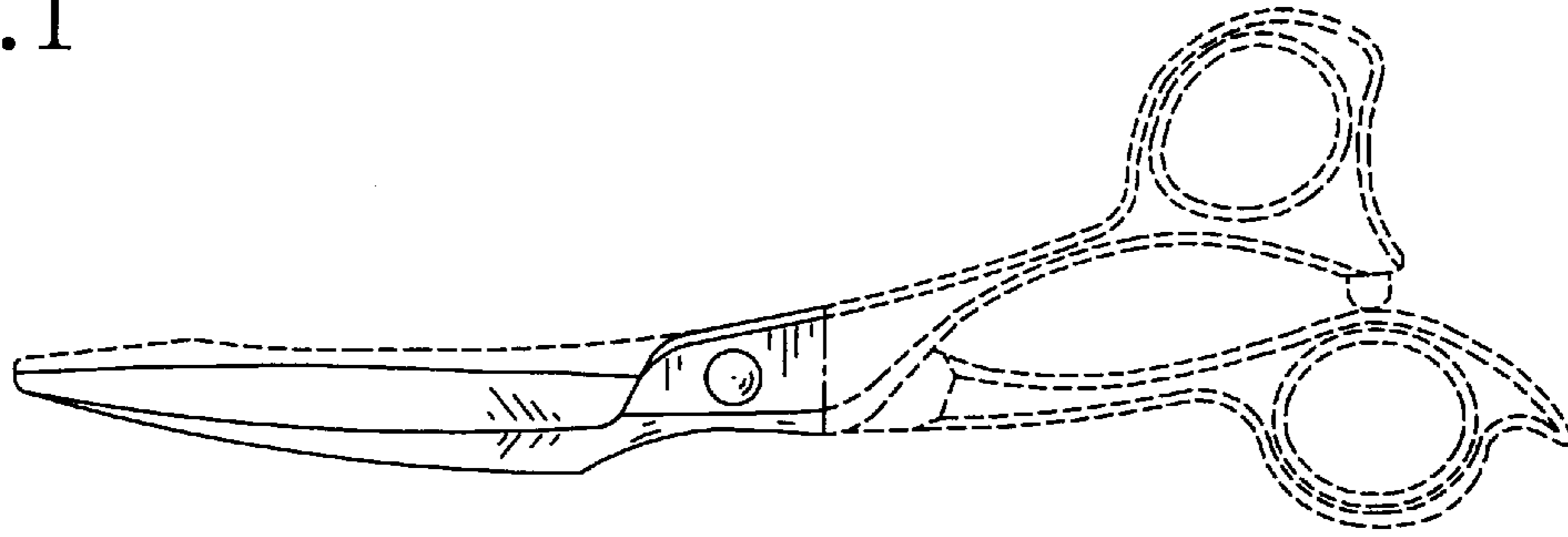


Fig.2

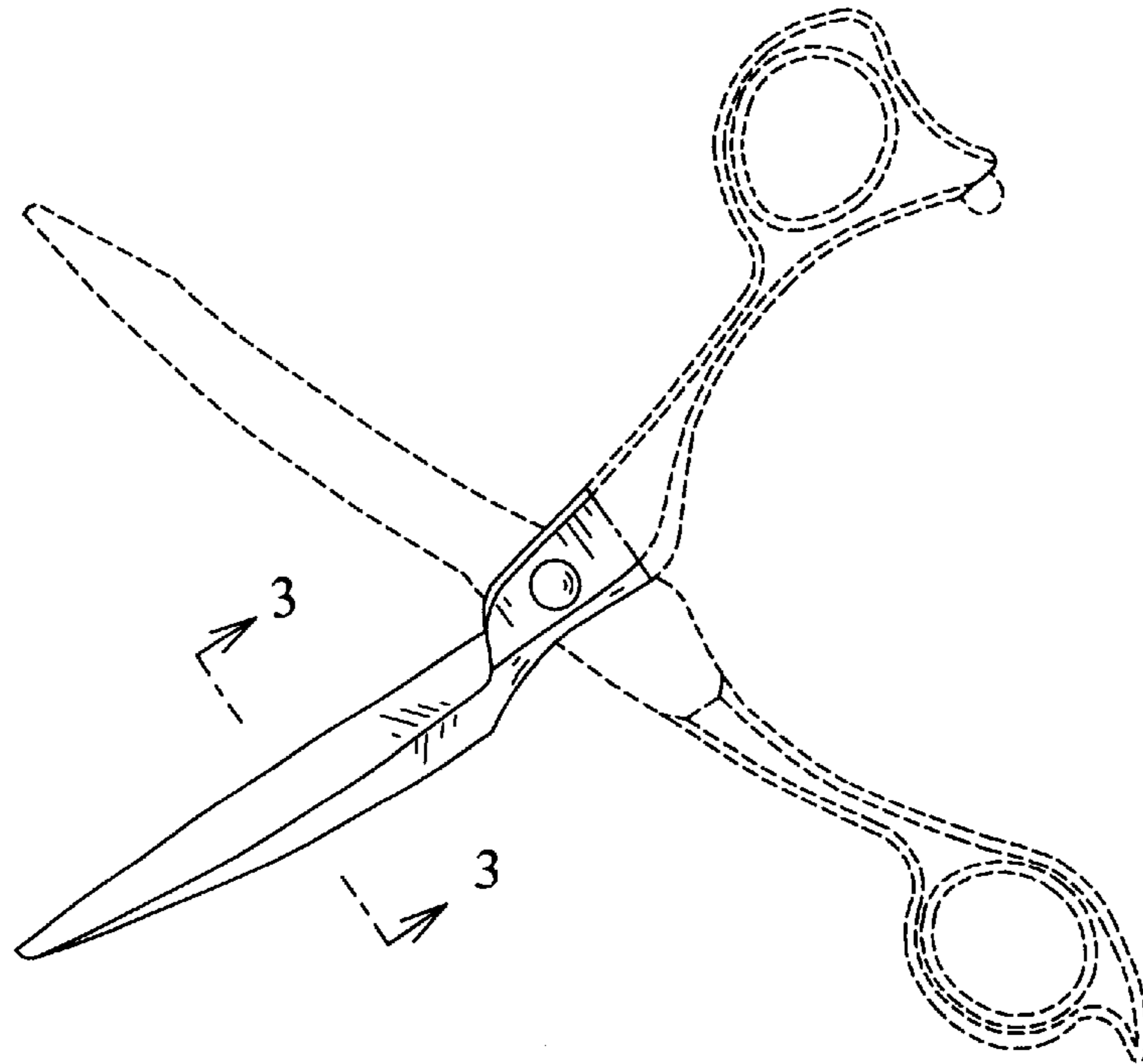


Fig.3



Fig.4

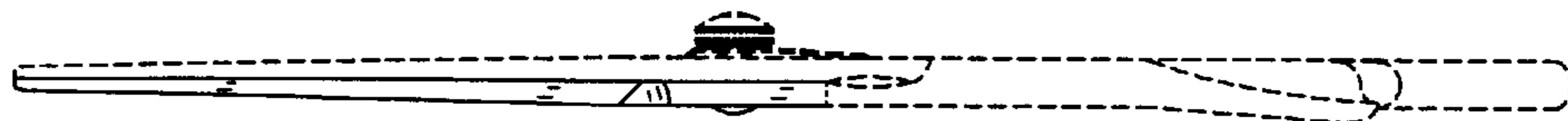


Fig.5

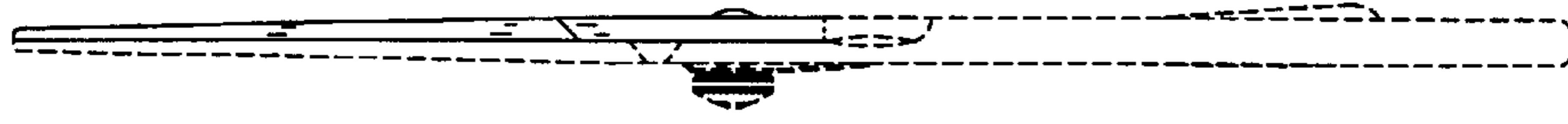


Fig.6

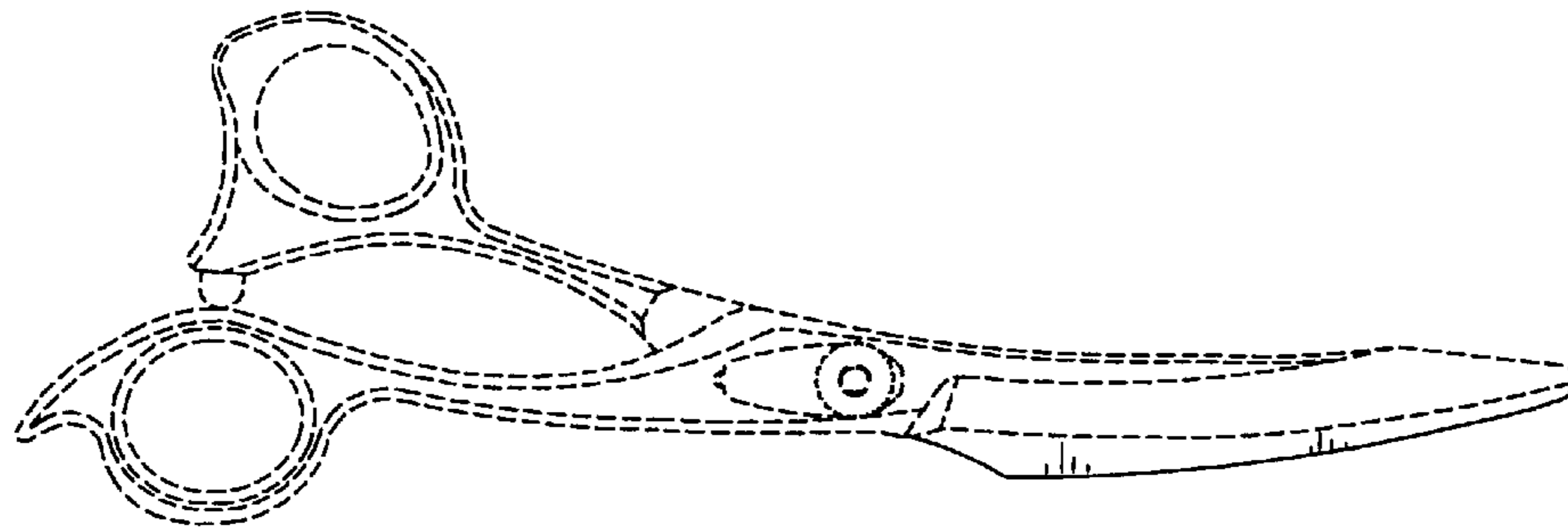


Fig.7



Fig.8

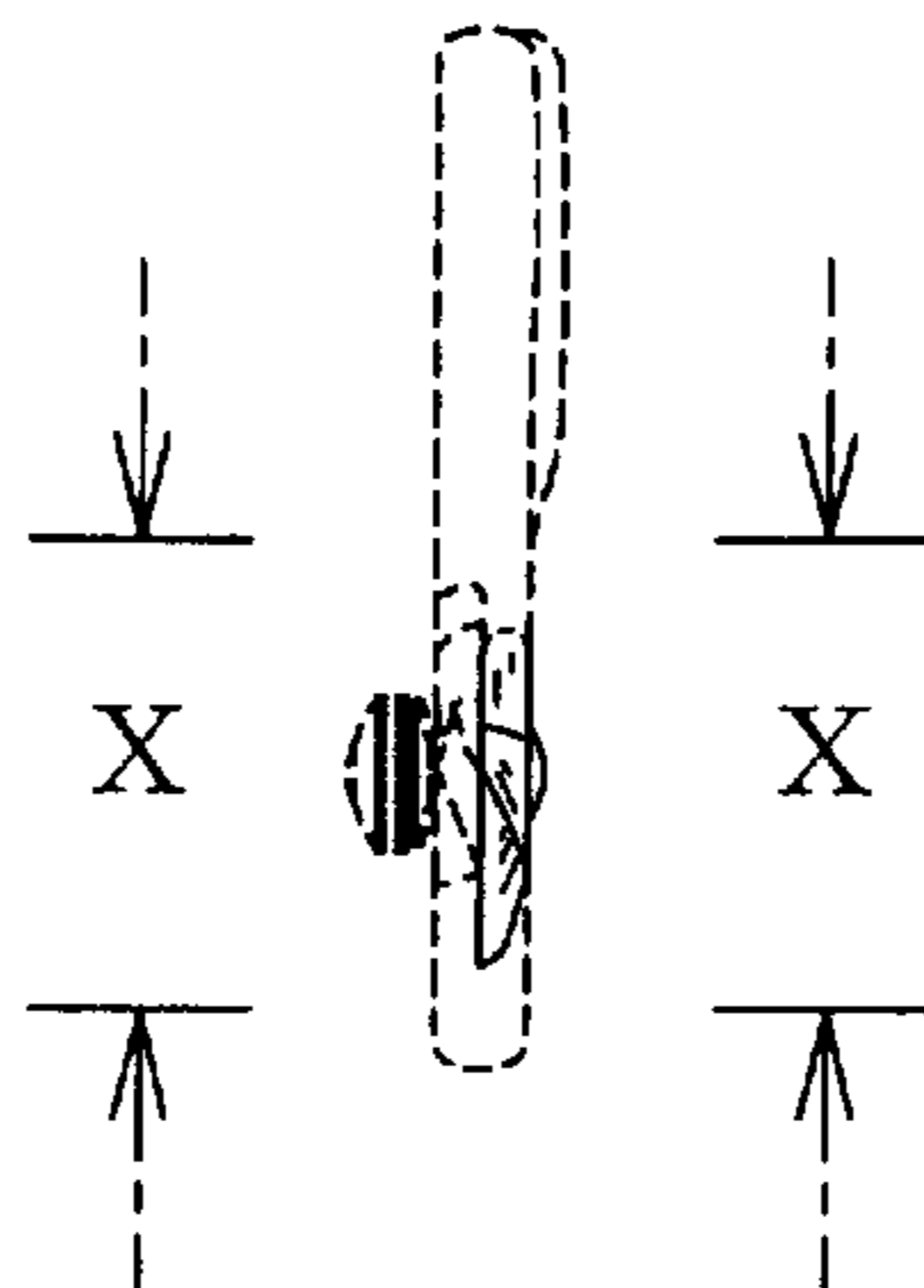


Fig.9

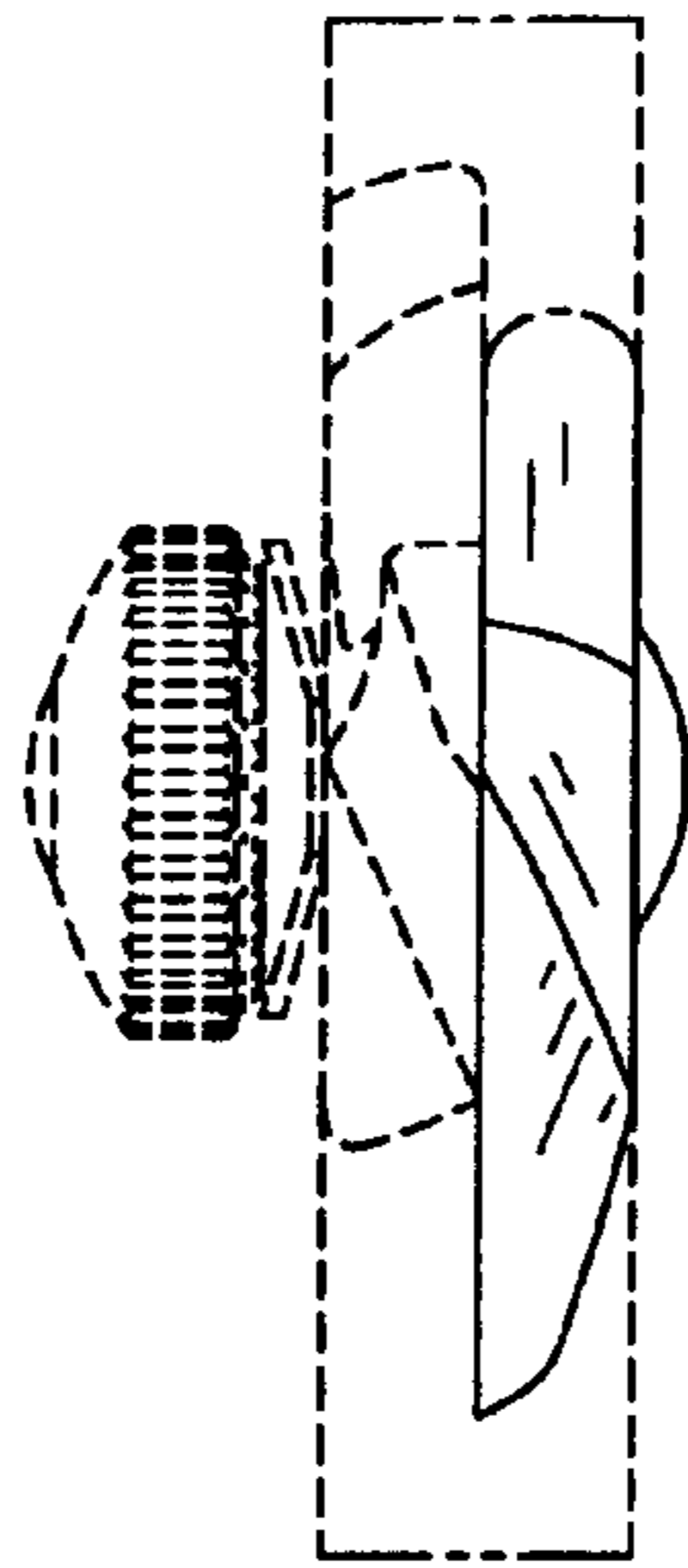


Fig.10

