



US00D506115S

(12) **United States Design Patent**
King

(10) **Patent No.: US D506,115 S**

(45) **Date of Patent: ** Jun. 14, 2005**

(54) **MANUAL RIVET SQUEEZING TOOL AND
COMPRESSION FITTING TOOL**

D352,436 S * 11/1994 Abel D8/52
5,367,757 A * 11/1994 Liu 29/243.527
6,421,900 B1 * 7/2002 Hunt 29/243.53

(76) Inventor: **Roger Allen King**, 427 Johnny Long
Rd., Sandpoint, ID (US) 83864

* cited by examiner

Primary Examiner—Clare E Heflin

(**) Term: **14 Years**

(57) **CLAIM**

(21) Appl. No.: **29/177,729**

The ornamental design for a manual rivet squeezing tool and
compression fitting tool, as shown and described.

(22) Filed: **Mar. 17, 2003**

DESCRIPTION

(51) **LOC (8) Cl. 08-05**

(52) **U.S. Cl. D8/54**

(58) **Field of Search** D8/52, 54–58,
D8/107; 81/415–427.5, 489; 29/242, 243.528,
243.521, 243.527, 257, 268

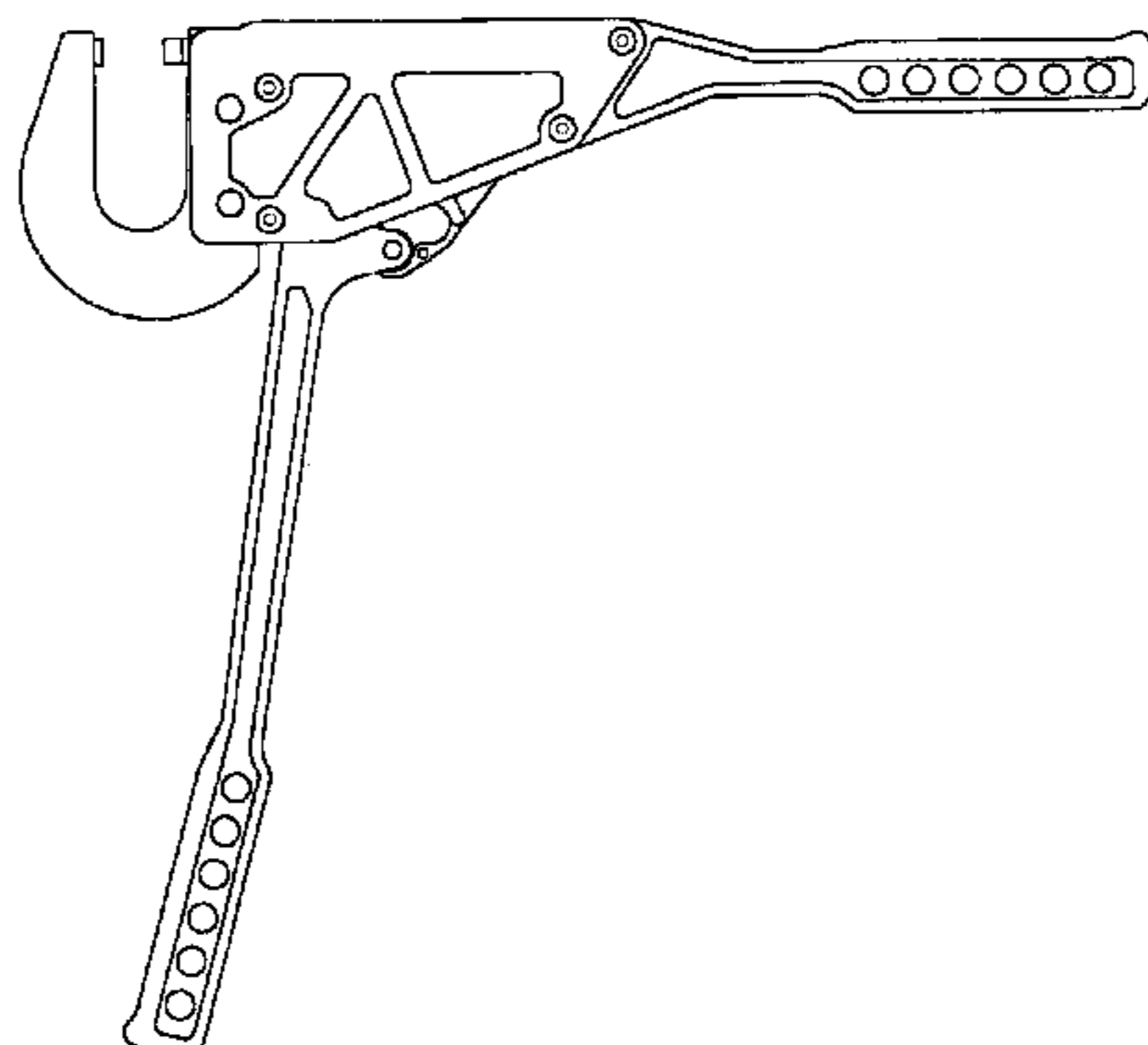
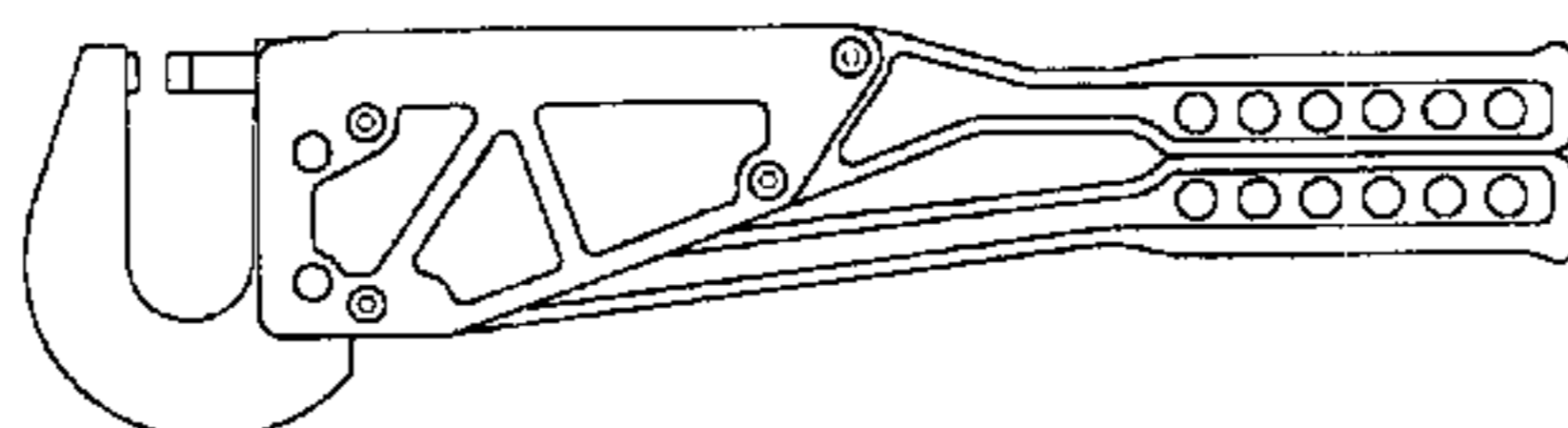
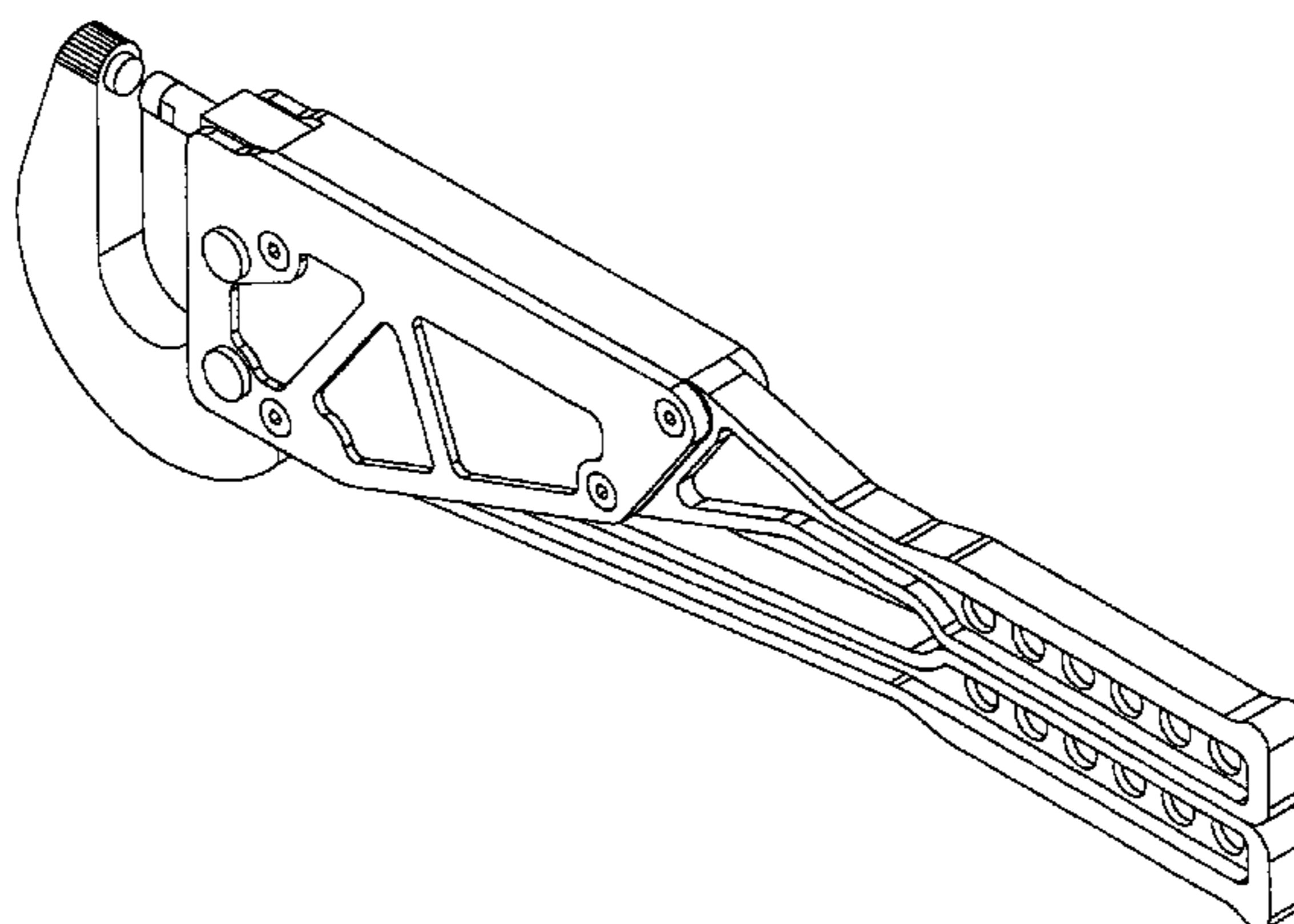
FIG. 1 is an isometric view thereof;
FIG. 2 is an isometric exploded view thereof;
FIG. 3 is a side elevation view with the handle in the closed
position thereof;
FIG. 4 is a side elevation with the handle in the open position
there of;
FIG. 5 is a side elevation with the side cover removed and
the handle in the closed position thereof; and,
FIG. 6 is a side elevation with the cover removed and the
handle in the open position thereof.

(56) **References Cited**

U.S. PATENT DOCUMENTS

D154,561 S * 7/1949 McNamara D8/52
D201,833 S * 8/1965 Waller D8/51
D221,126 S * 7/1971 Hoover D8/51
4,542,583 A * 9/1985 Anderson et al. 29/749

1 Claim, 4 Drawing Sheets



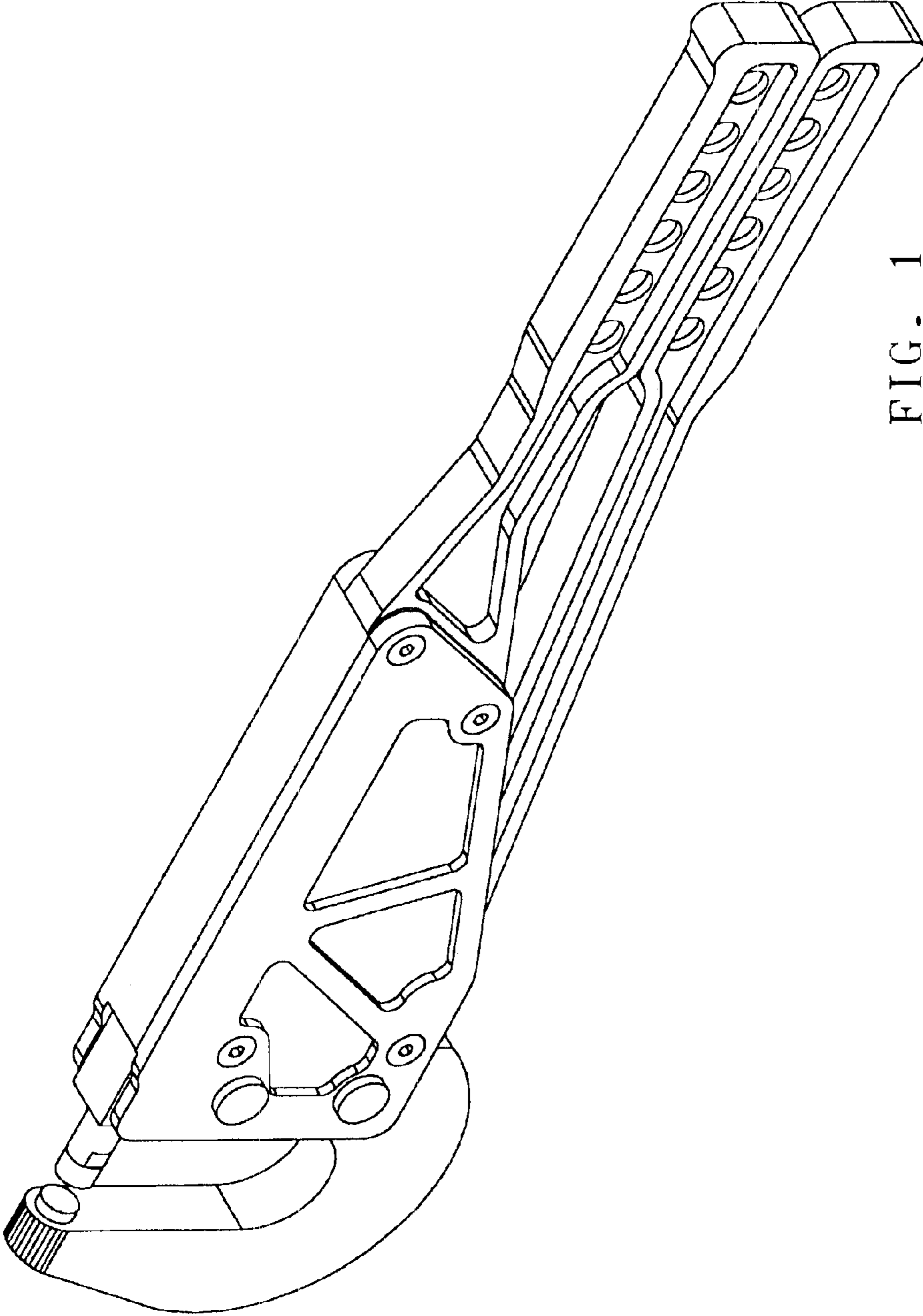


FIG. 1

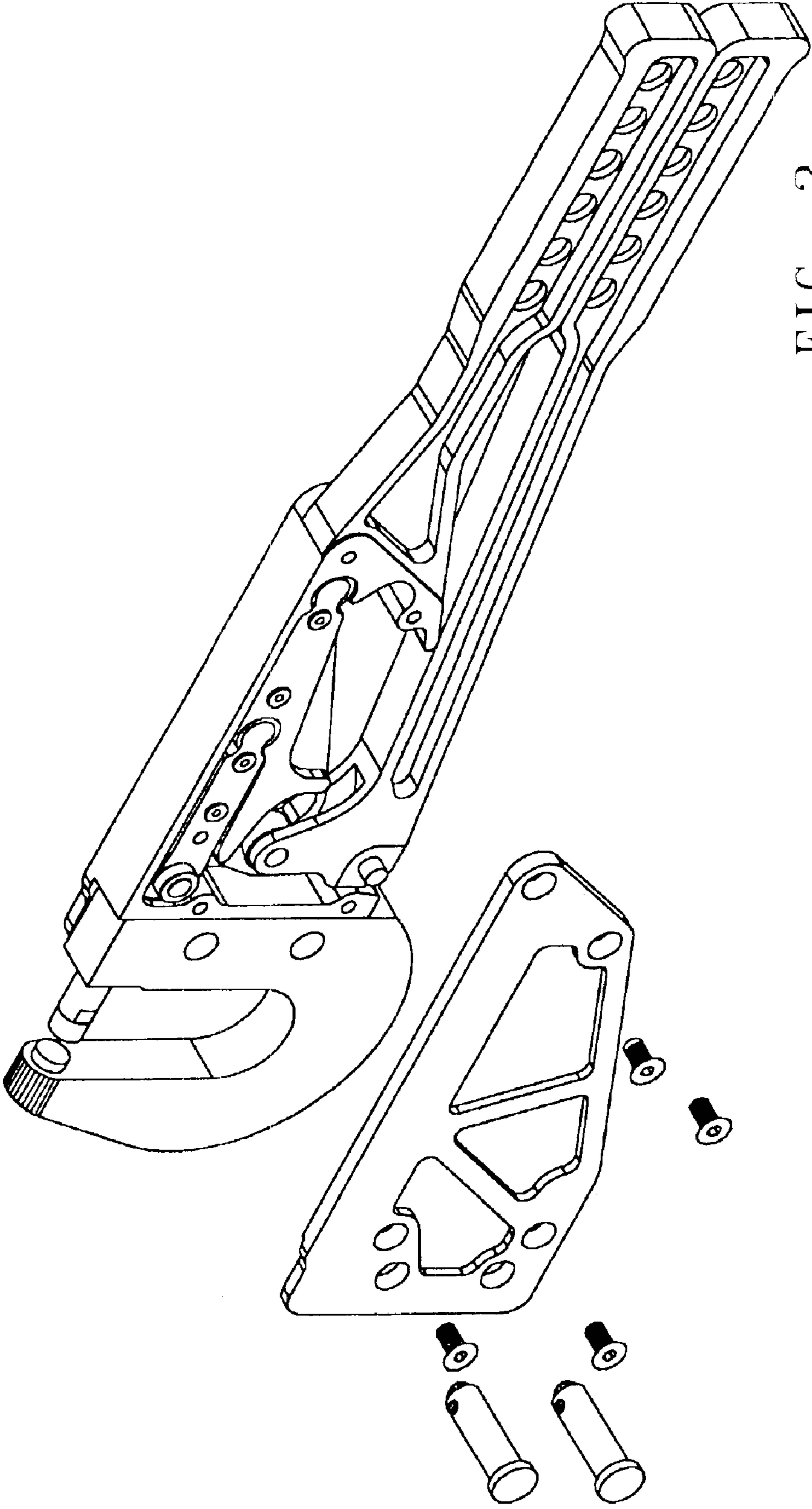


FIG. 2

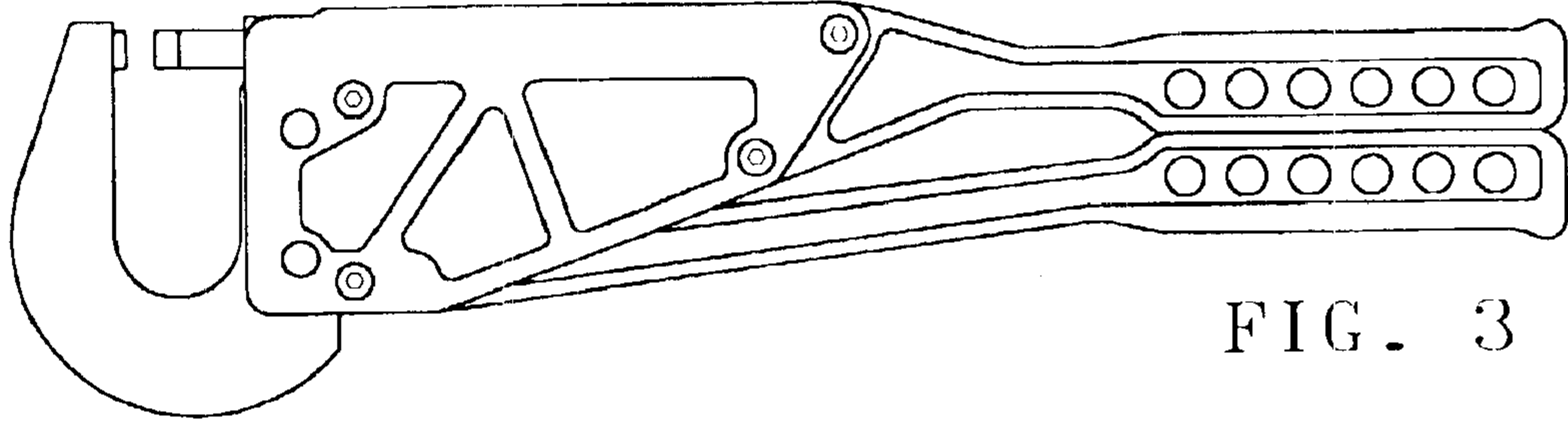


FIG. 3

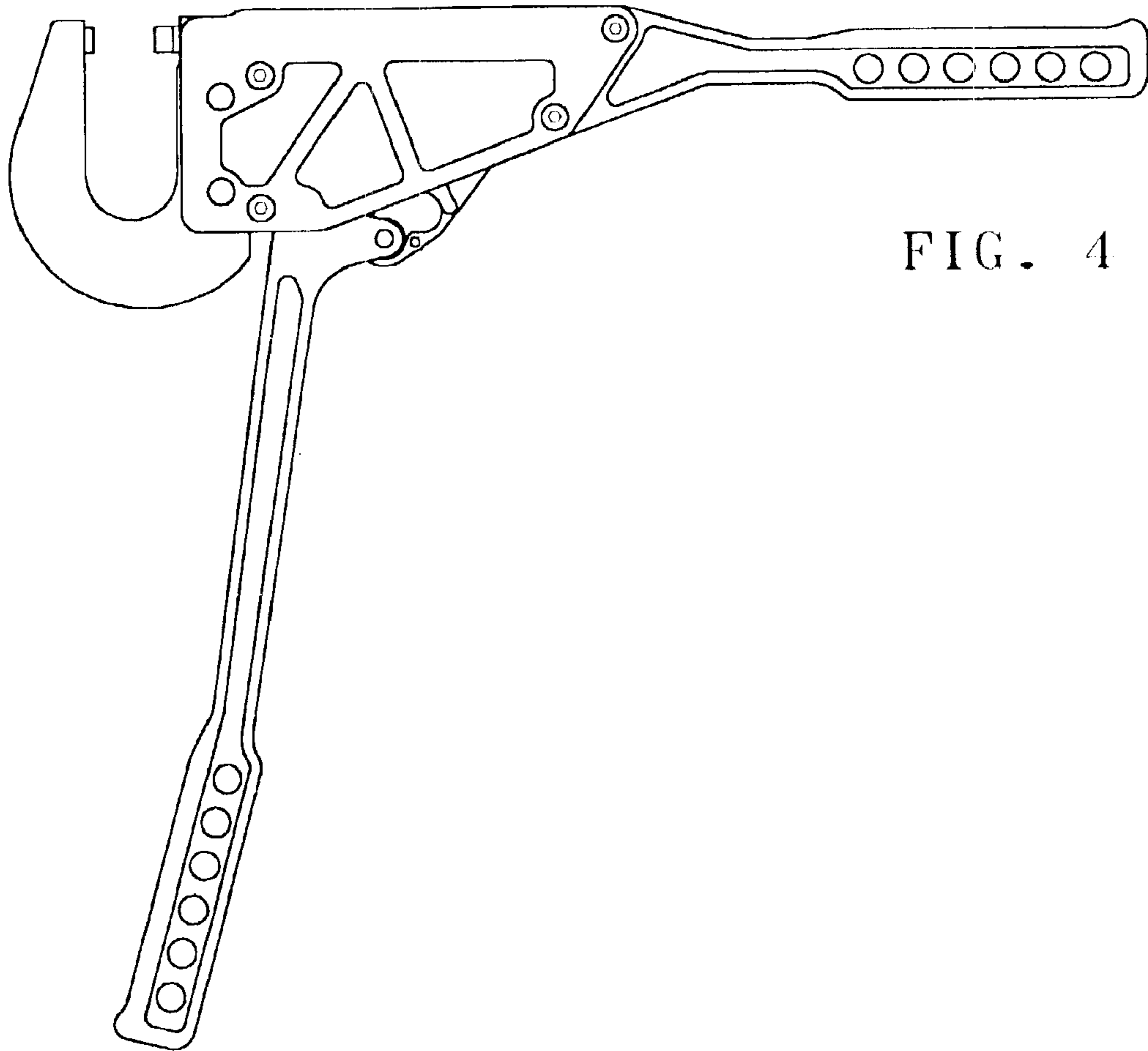


FIG. 4

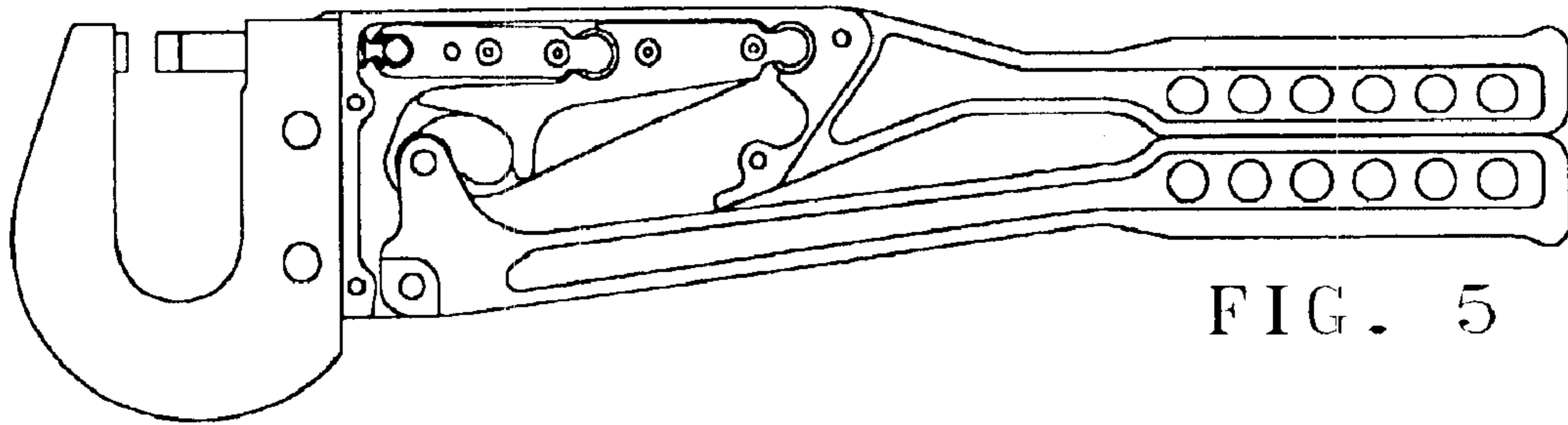


FIG. 5

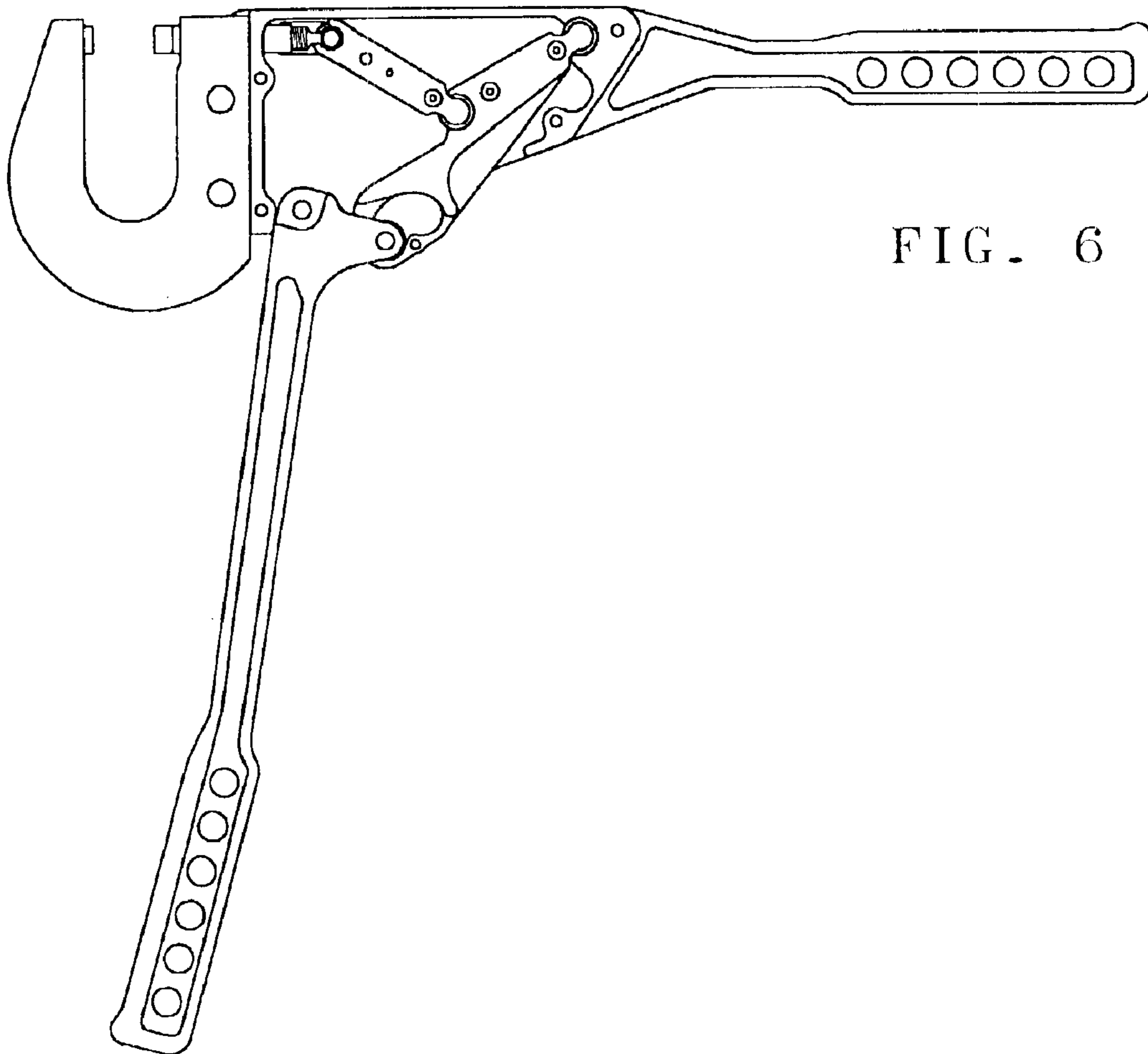


FIG. 6