



US00D506108S

(12) **United States Design Patent**
Cohen et al.

(10) **Patent No.:** **US D506,108 S**
(45) **Date of Patent:** **** Jun. 14, 2005**

(54) **JUICE EXTRACTOR APPLIANCE**

5,495,795 A * 3/1996 Harrison et al. 99/492
D439,808 S * 4/2001 McClean et al. D7/665

(75) Inventors: **Eli Cohen**, Lev HaSharon (IL); **Ann Grant**, New York, NY (US)

* cited by examiner

(73) Assignee: **AAC Trade Ltd.**, New York, NY (US)

Primary Examiner—Terry A. Wallace

(74) *Attorney, Agent, or Firm*—G.E. Ehrlich (1995) Ltd.

(**) Term: **14 Years**

(57) **CLAIM**

(21) Appl. No.: **29/203,522**

The ornamental design for juice extractor appliance, as shown.

(22) Filed: **Apr. 16, 2004**

DESCRIPTION

(51) **LOC (8) Cl.** **31-00**

(52) **U.S. Cl.** **D7/665**

(58) **Field of Search** D7/665, 666; 99/501–513,
99/495, 492, 499, 348, 357, 497; 241/33,
36, 37, 100, 282.2

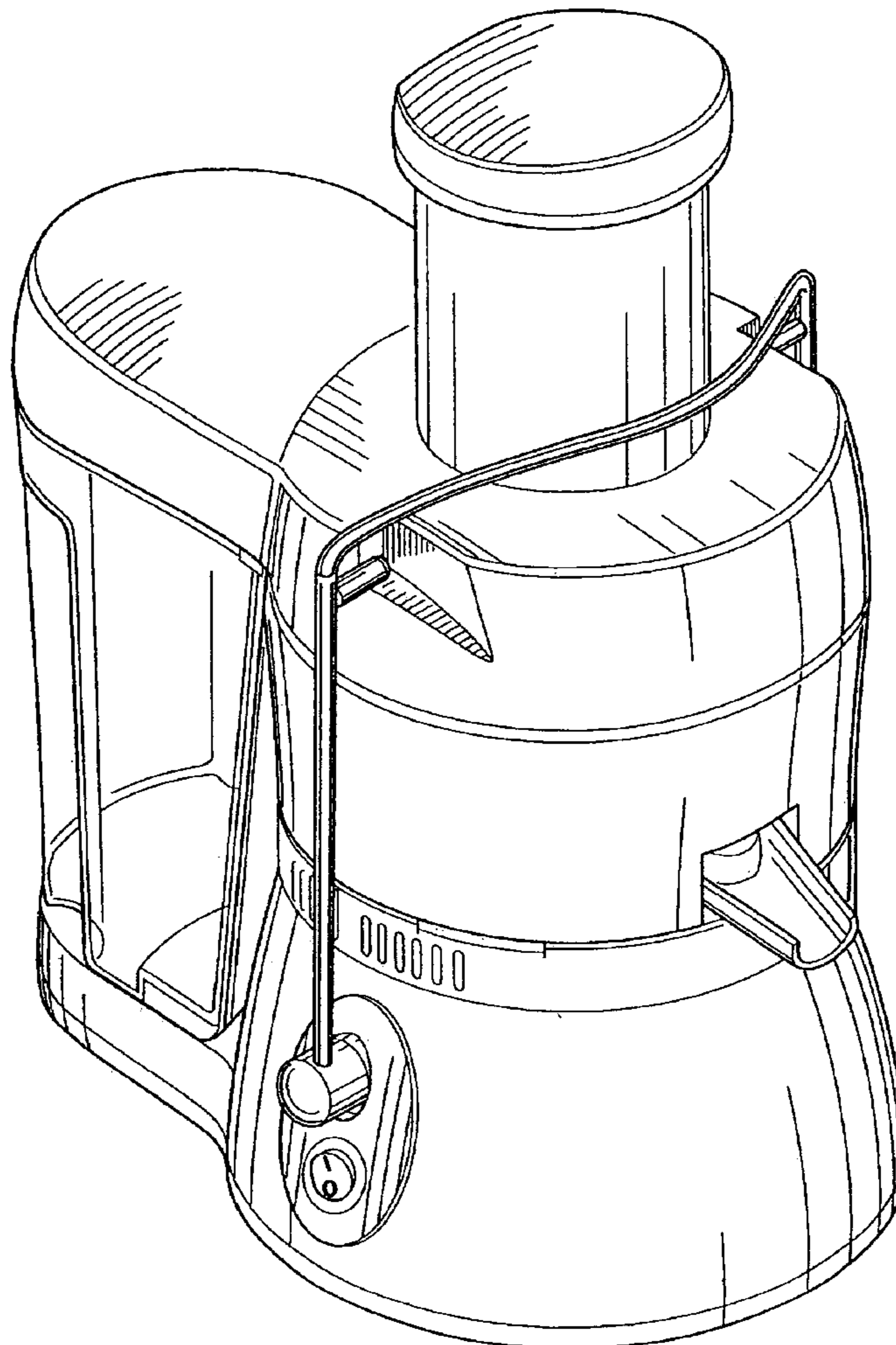
FIG. 1 is a perspective view, generally from the front, of a juice extractor appliance showing our new design; FIG. 2 is a perspective view, generally from the rear thereof; FIG. 3 is an elevational view, from one side thereof; FIG. 4 is an elevation view, from the opposite side thereof; FIG. 5 is a front view thereof; FIG. 6 is a rear view thereof; FIG. 7 is a top plan view thereof; and, FIG. 8 is a bottom plan view thereof.

(56) **References Cited**

U.S. PATENT DOCUMENTS

D118,470 S * 1/1940 Drachenberg D7/665
D333,947 S * 3/1993 Markee et al. D7/665

1 Claim, 7 Drawing Sheets



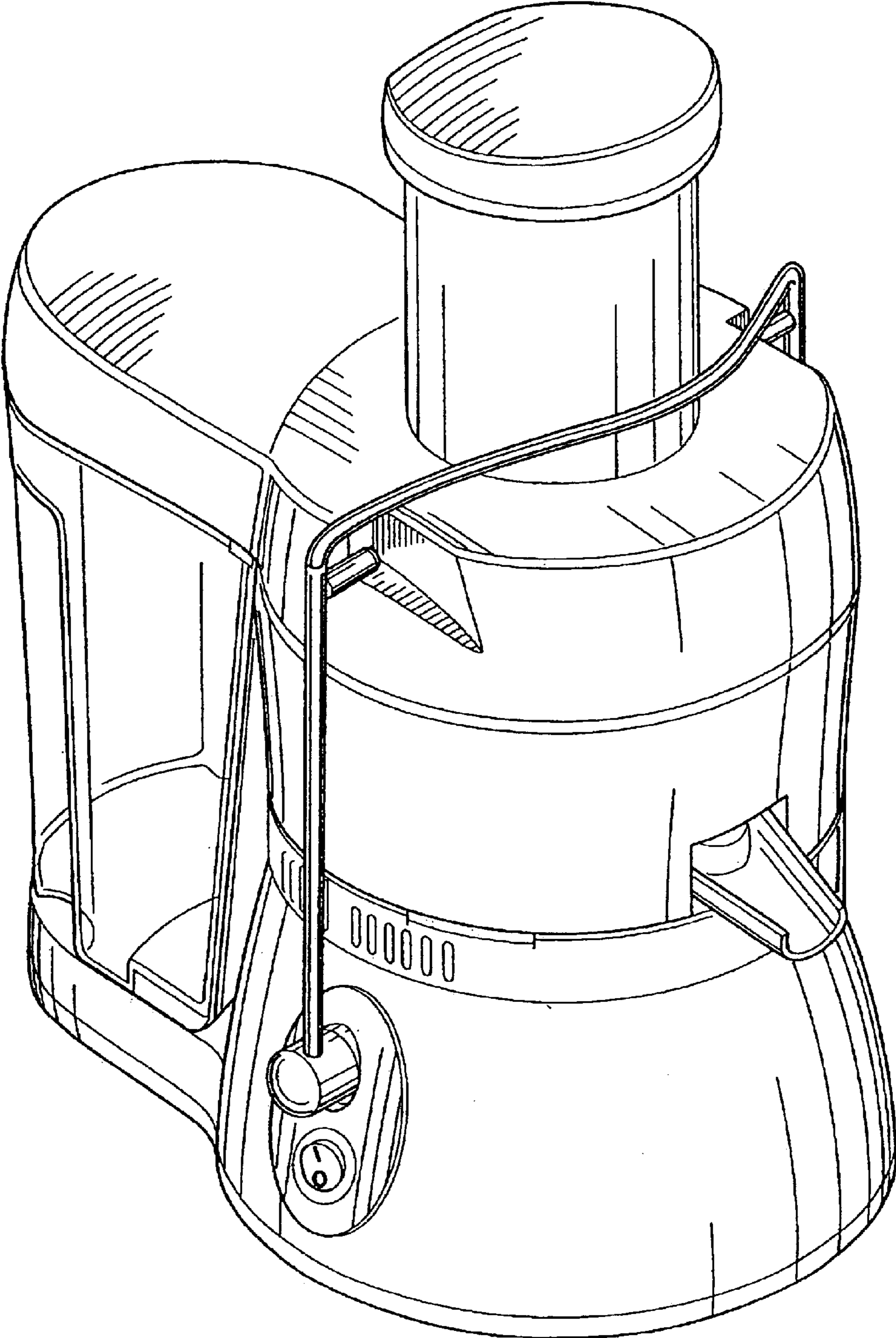


FIG.1

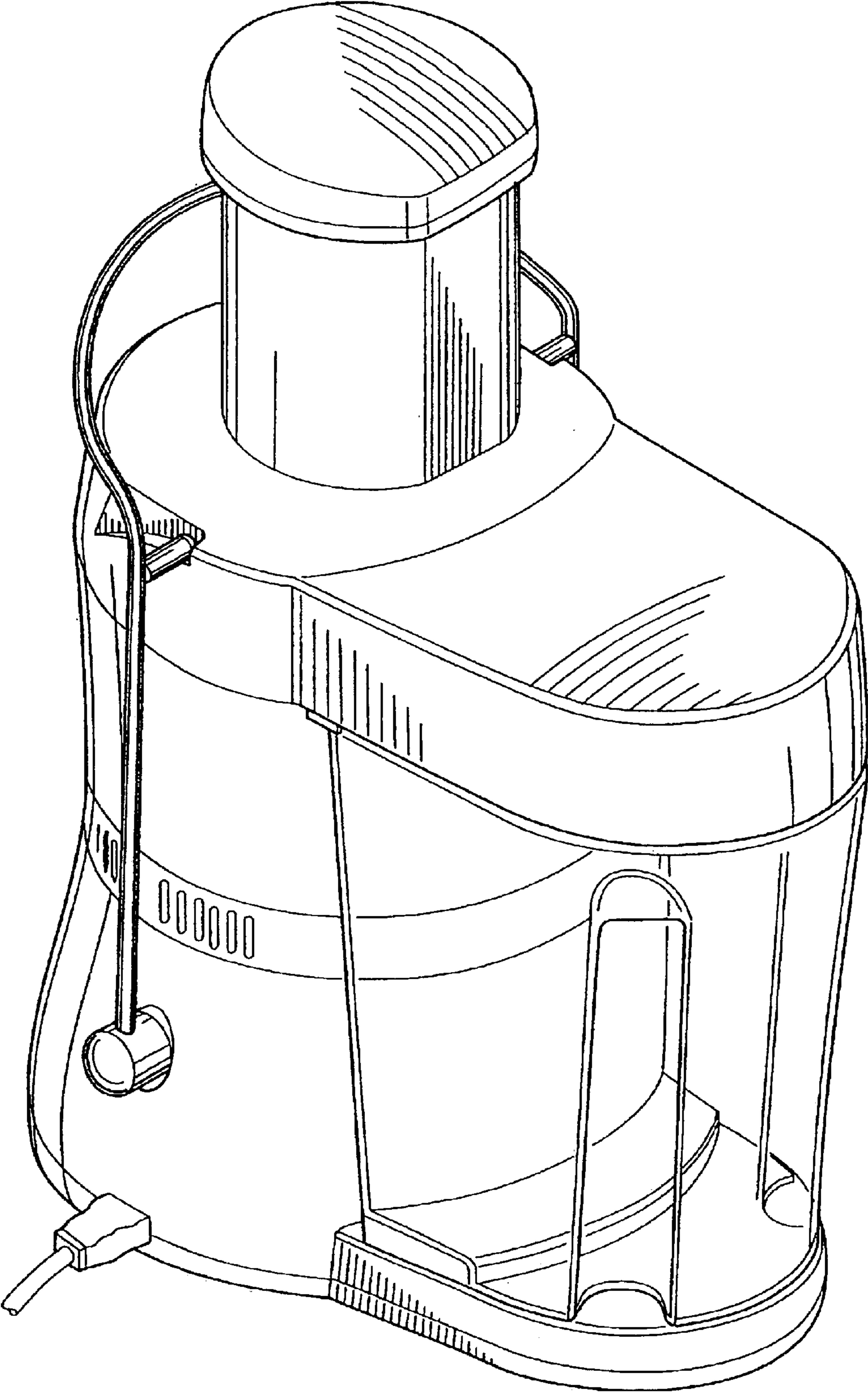


FIG.2

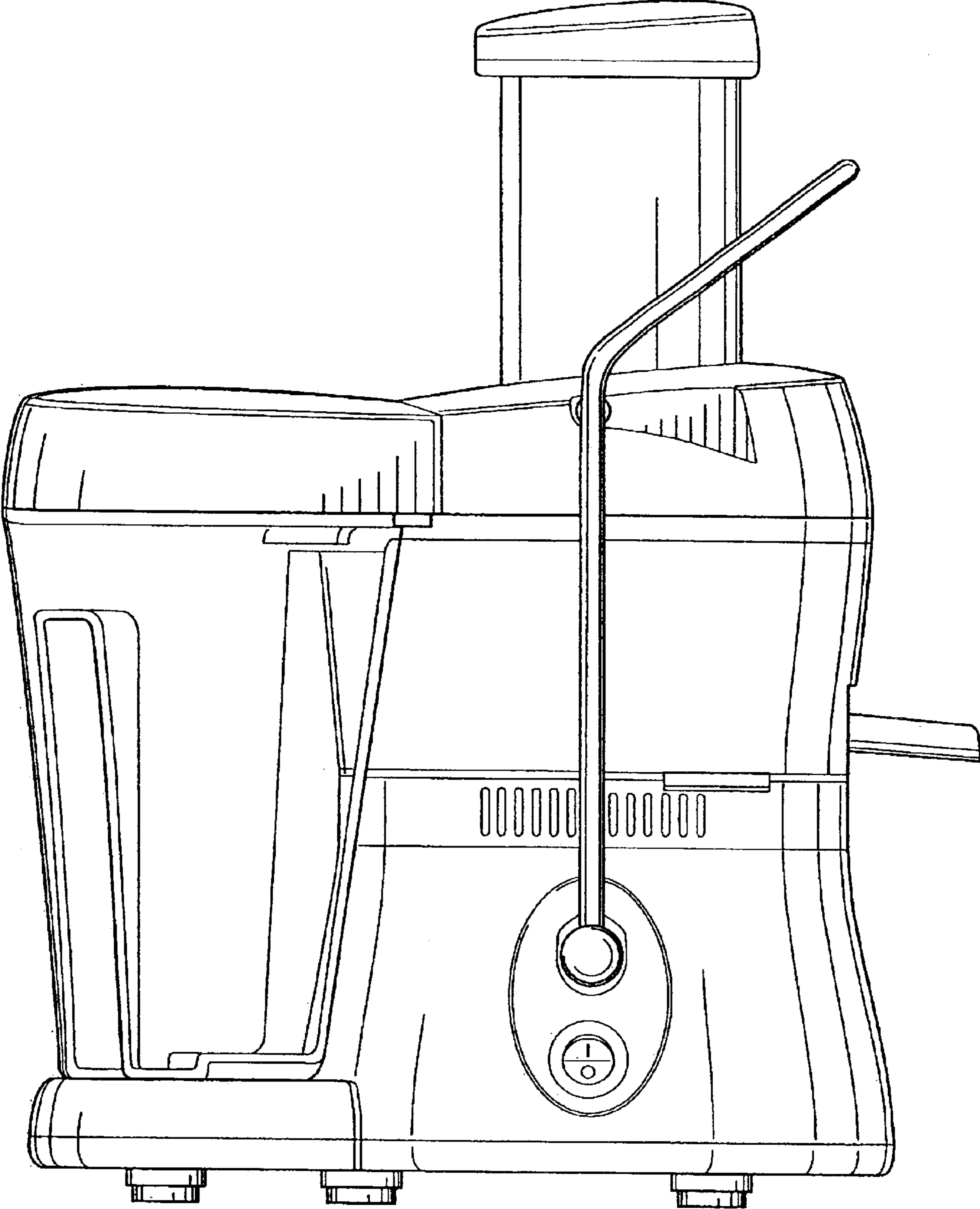


FIG.3

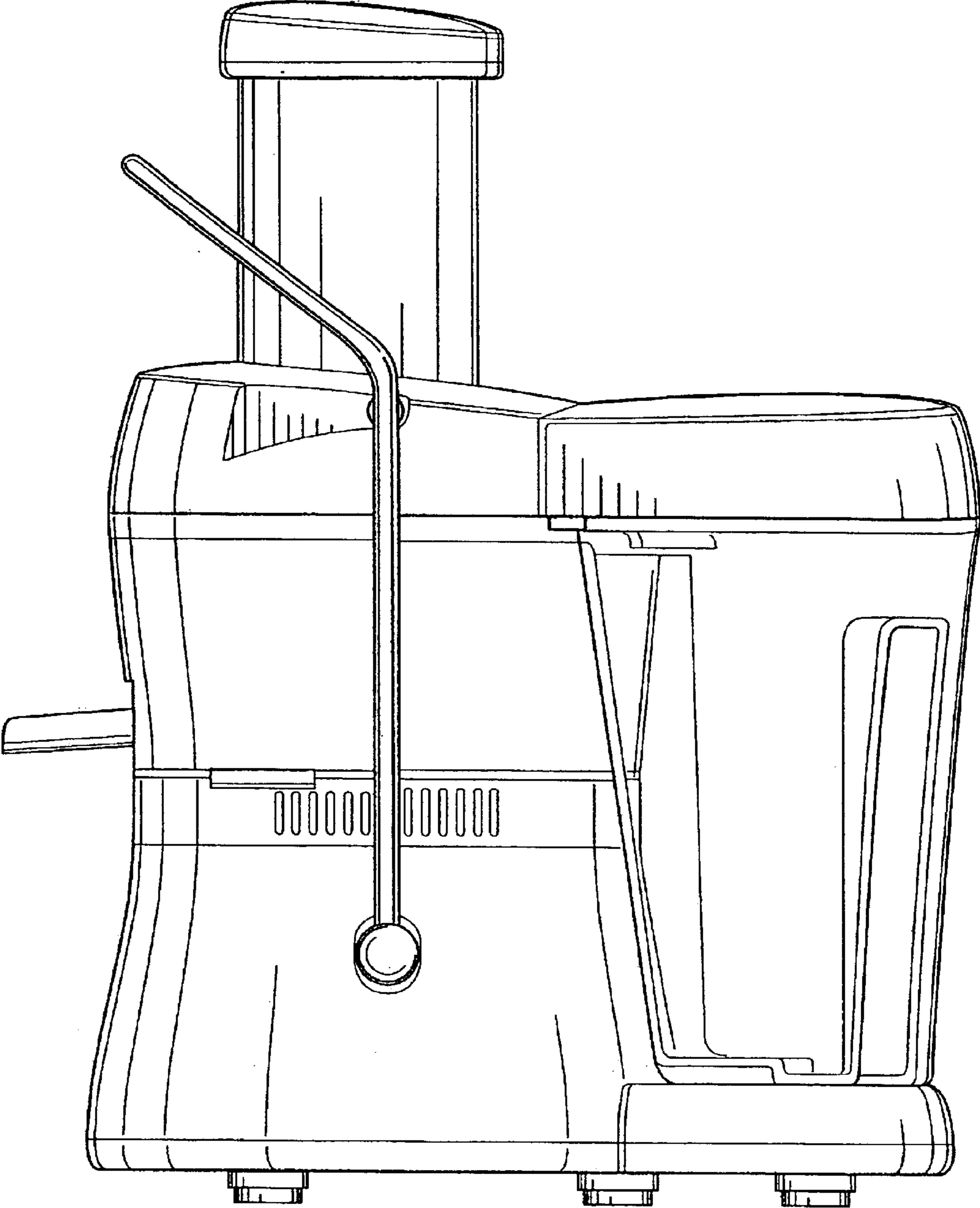


FIG.4

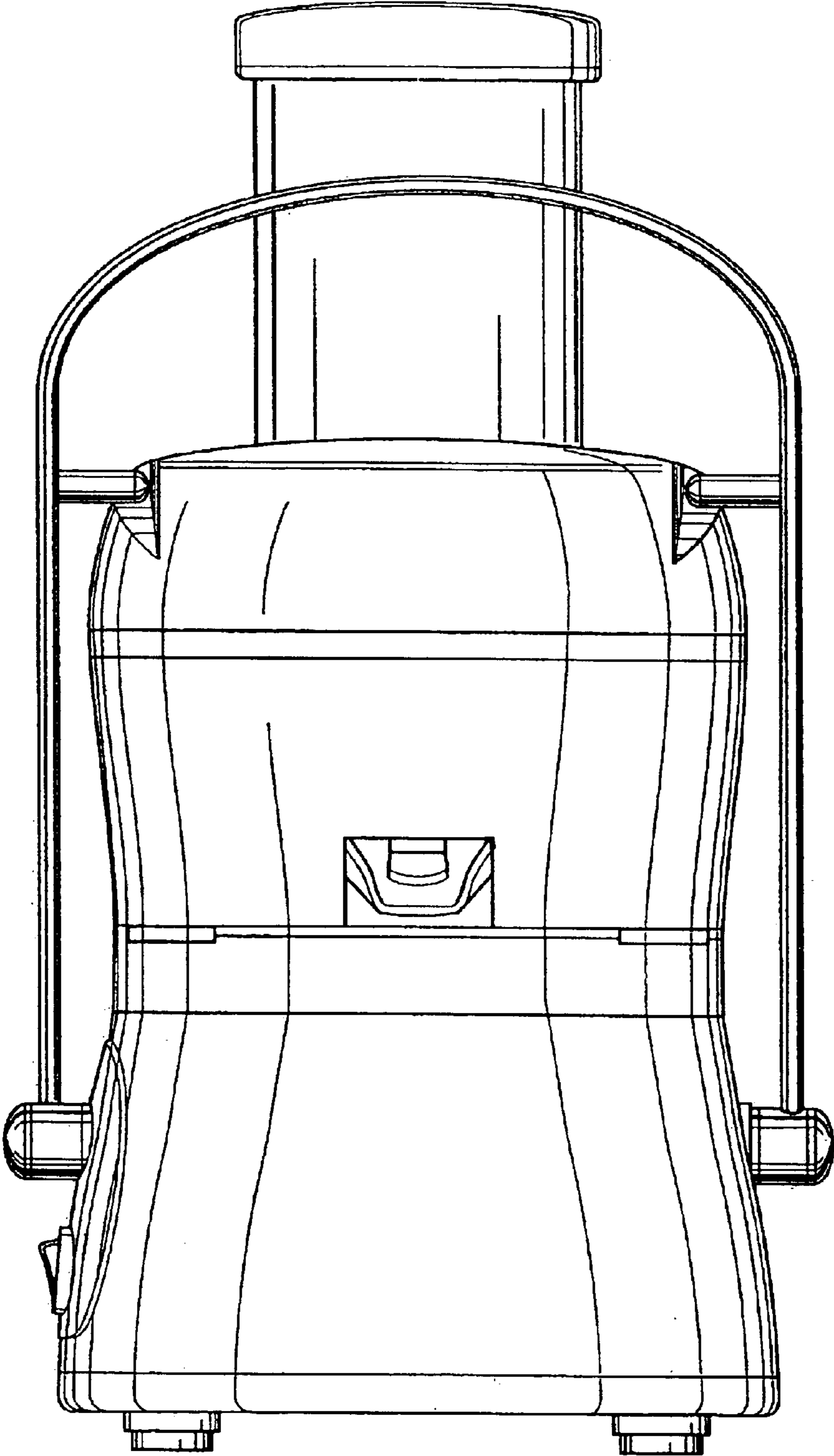


FIG.5

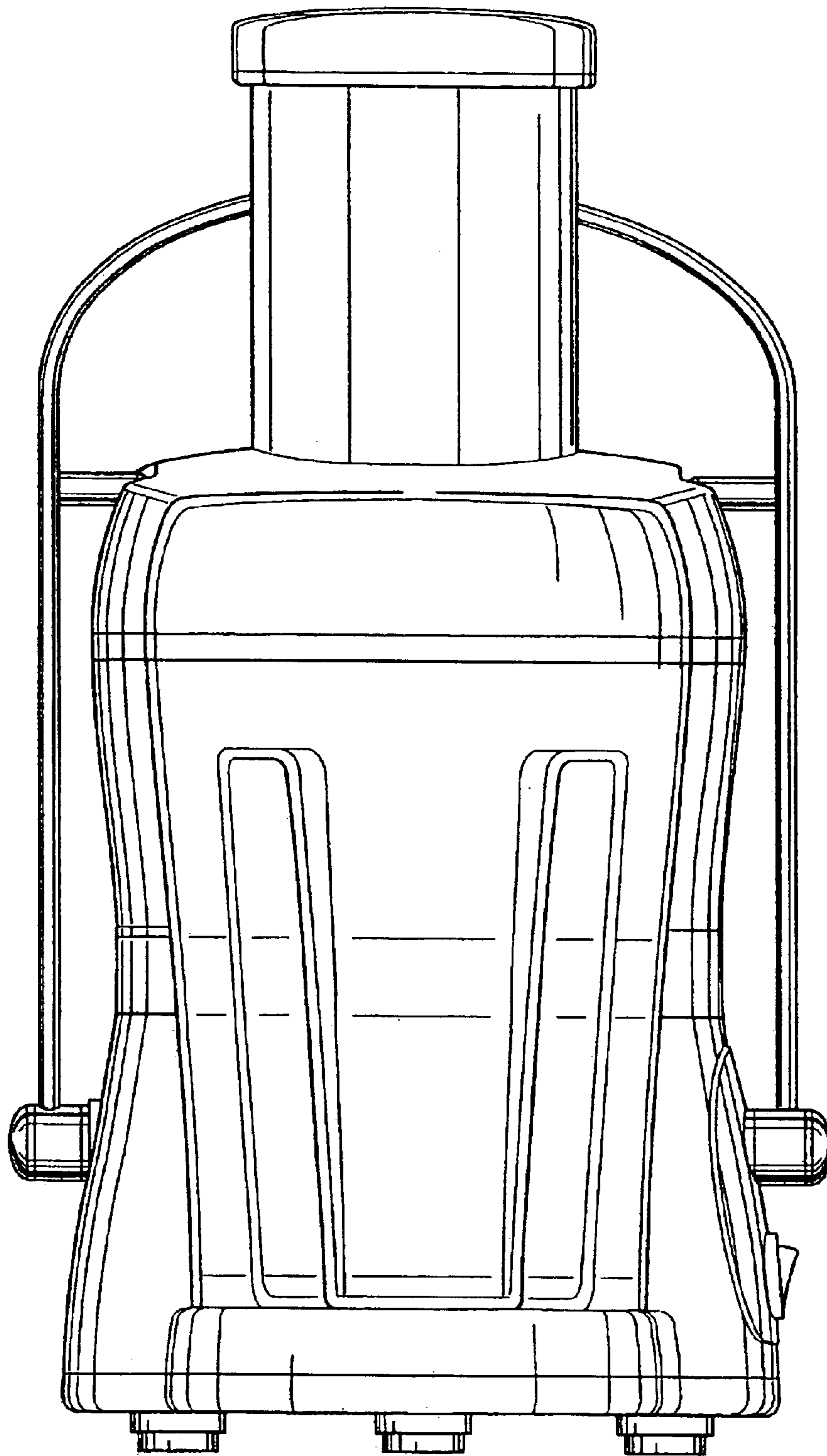


FIG.6

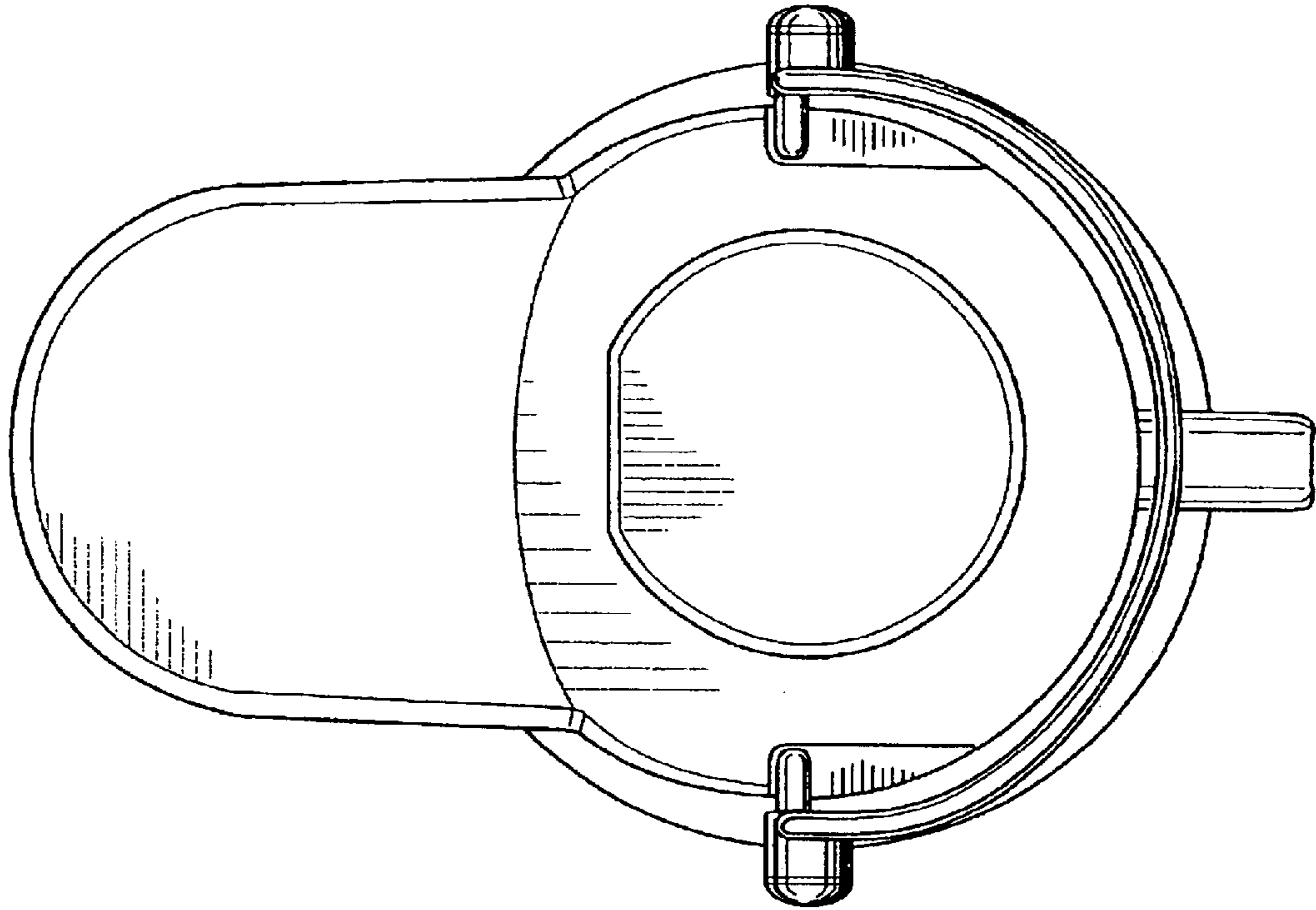


FIG. 7

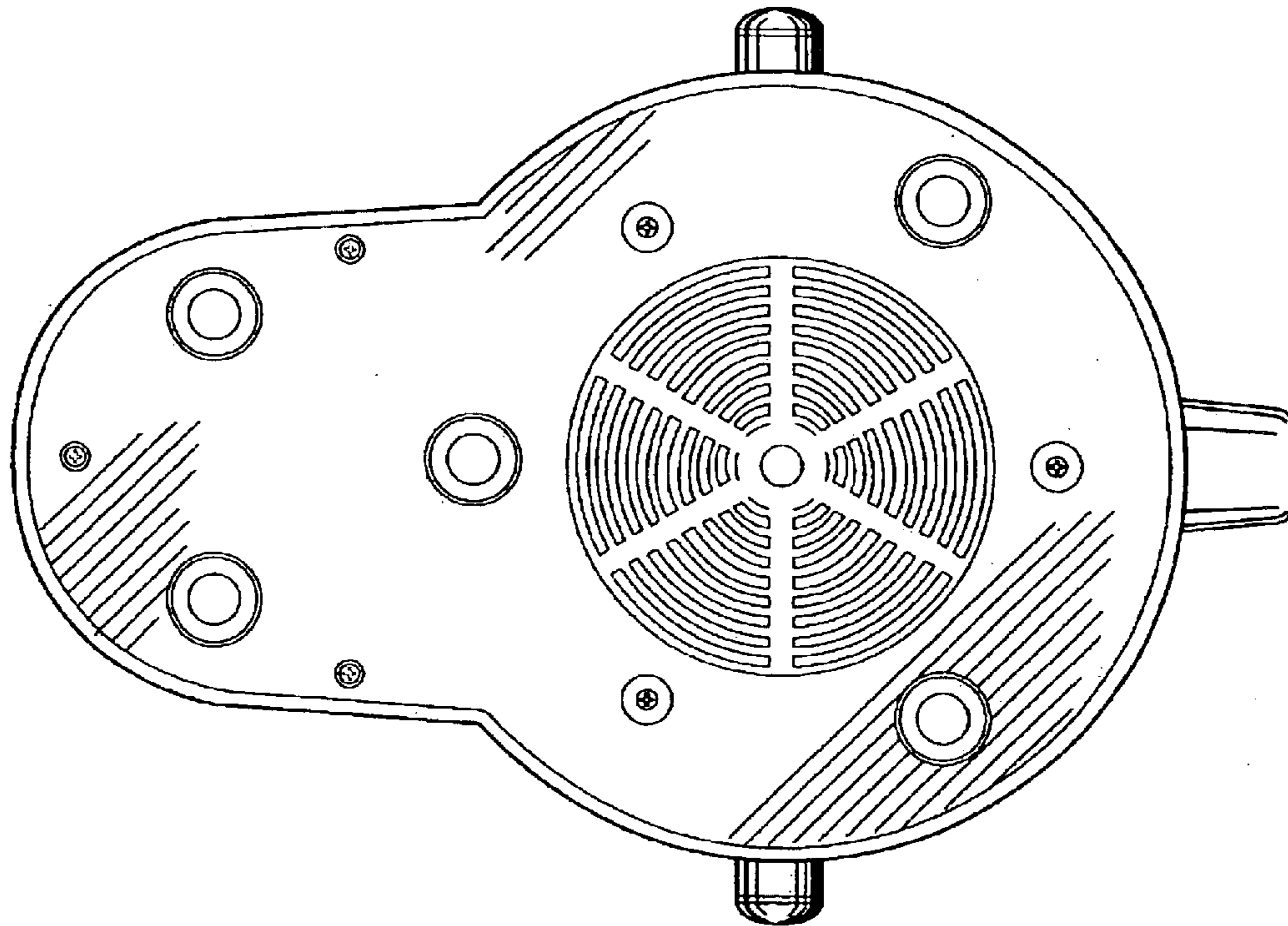


FIG. 8