

US00D506107S

(12) **United States Design Patent**
McGuyer

(10) **Patent No.: US D506,107 S**

(45) **Date of Patent: ** Jun. 14, 2005**

(54) **STORAGE UNIT FOR MULTI-TOOL
KITCHEN DEVICE**

(75) **Inventor: Carter W. McGuyer, Muscle Shoals,
AL (US)**

(73) **Assignee: Robbins Industries, Inc., Florence, AL
(US)**

(**) **Term: 14 Years**

(21) **Appl. No.: 29/205,768**

(22) **Filed: May 20, 2004**

- 4,425,709 A * 1/1984 Quenzi
- 4,432,137 A * 2/1984 Okada
- 4,941,232 A * 7/1990 Decker et al.
- 4,953,862 A * 9/1990 Uke et al.
- 5,409,560 A * 4/1995 Hammer et al.
- 5,441,152 A * 8/1995 Estes
- 5,479,708 A * 1/1996 Thomas
- 5,535,484 A * 7/1996 Gibson
- 5,598,634 A * 2/1997 Berns
- 5,737,803 A * 4/1998 Tisdale
- 5,752,968 A * 5/1998 Jolly et al.
- 5,829,099 A * 11/1998 Kopelman et al.
- 5,933,918 A * 8/1999 Wallays
- D420,887 S * 2/2000 Chen
- 6,115,921 A * 9/2000 Garneau, Sr.
- RE37,190 E * 5/2001 Stowell et al.

Related U.S. Application Data

(62) Division of application No. 29/170,161, filed on Nov. 1, 2002, now Pat. No. Des. 492,548.

(51) **LOC (8) Cl. 07-06**

(52) **U.S. Cl. D7/637**

(58) **Field of Search D7/637-641; 206/557-567;
211/13.1, 70.7, 71.01, 88.01, 126.1, 126.7**

* cited by examiner

Primary Examiner—Terry A. Wallace

(74) *Attorney, Agent, or Firm*—Kramer Levin Naftalis & Frankel LLC; Gregor N. Neff

(57) **CLAIM**

The ornamental design for a storage unit for multi-tool kitchen device, as shown and described.

(56) **References Cited**

U.S. PATENT DOCUMENTS

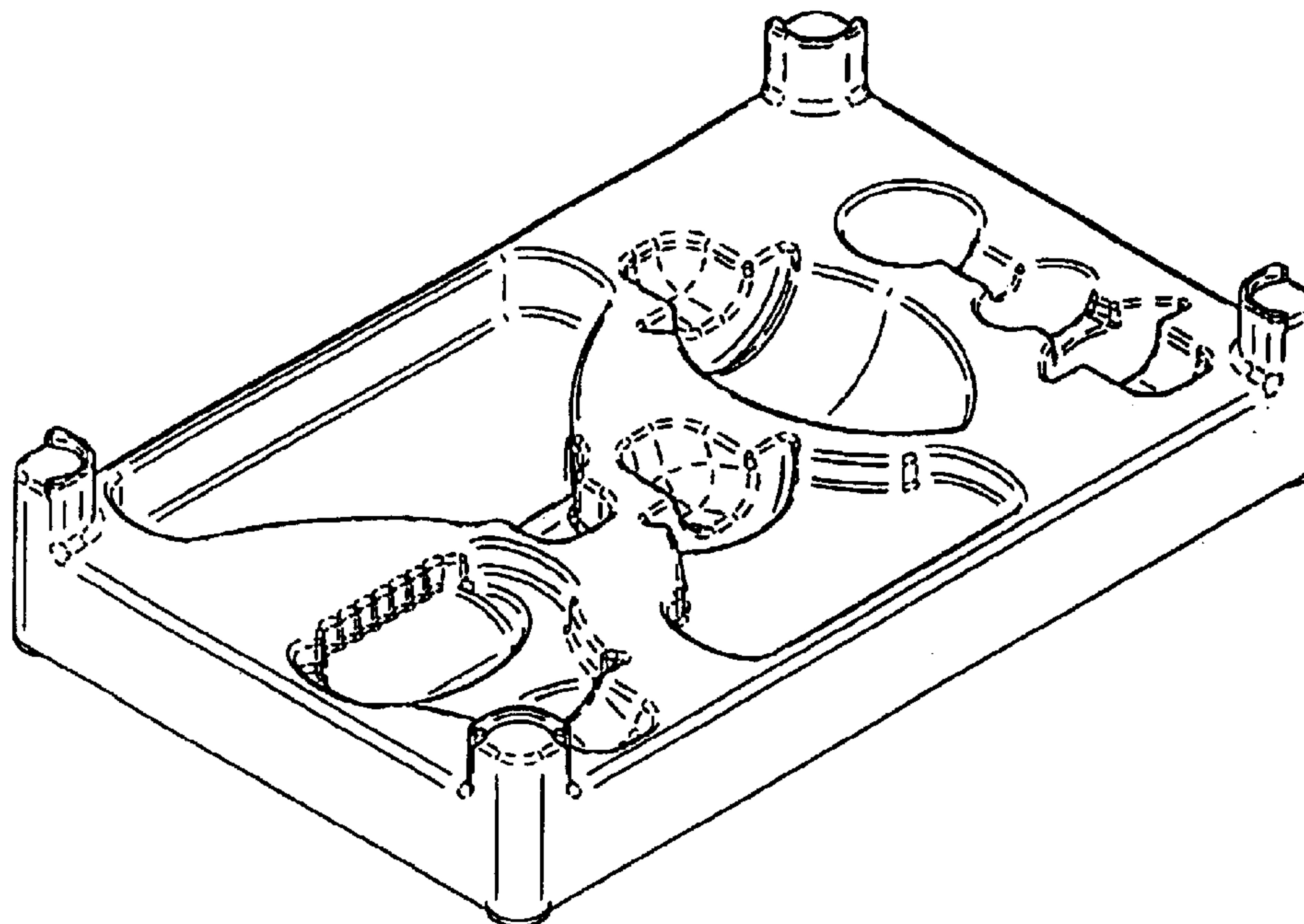
- 1,577,880 A * 3/1926 Stuart
- D172,235 S * 5/1954 Marino
- 3,135,383 A * 6/1964 Bloch
- D211,899 S * 8/1968 Kriegel
- 3,490,601 A * 1/1970 Richard, Sr. et al.
- D221,291 S * 7/1971 Futter et al.
- 3,839,793 A * 10/1974 Crapio
- 4,207,673 A * 6/1980 DiGirolamo et al.
- 4,247,216 A * 1/1981 Pansini

DESCRIPTION

FIG. 1 is a perspective view of a storage unit for multi-tool kitchen device showing my new design; FIG. 2 is a top plan view thereof; FIG. 3 is a left side view thereof; and, FIG. 4 is a front view thereof.

The broken lines are for illustrative purposes only and form no part of the claimed design.

1 Claim, 1 Drawing Sheet



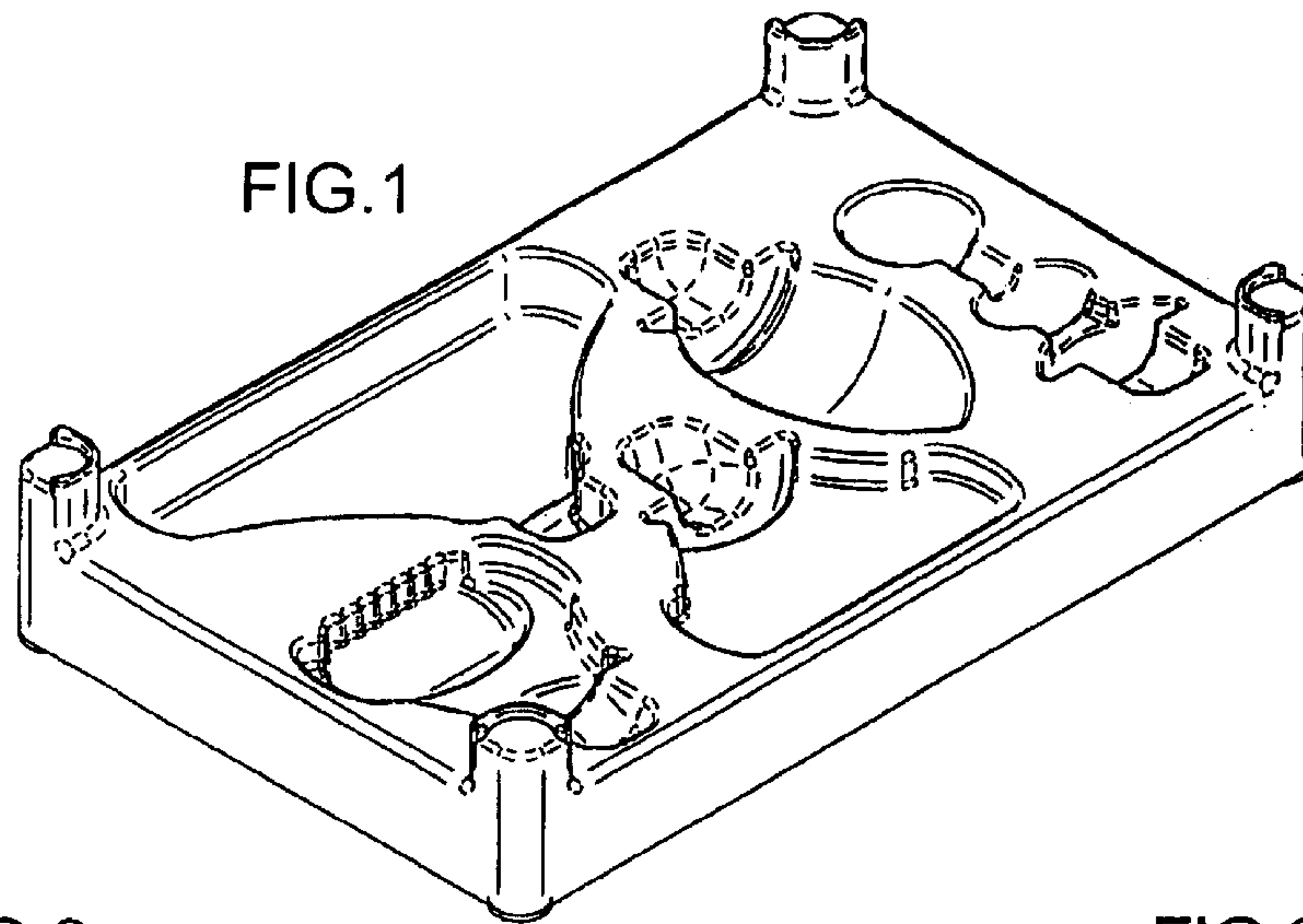


FIG. 3

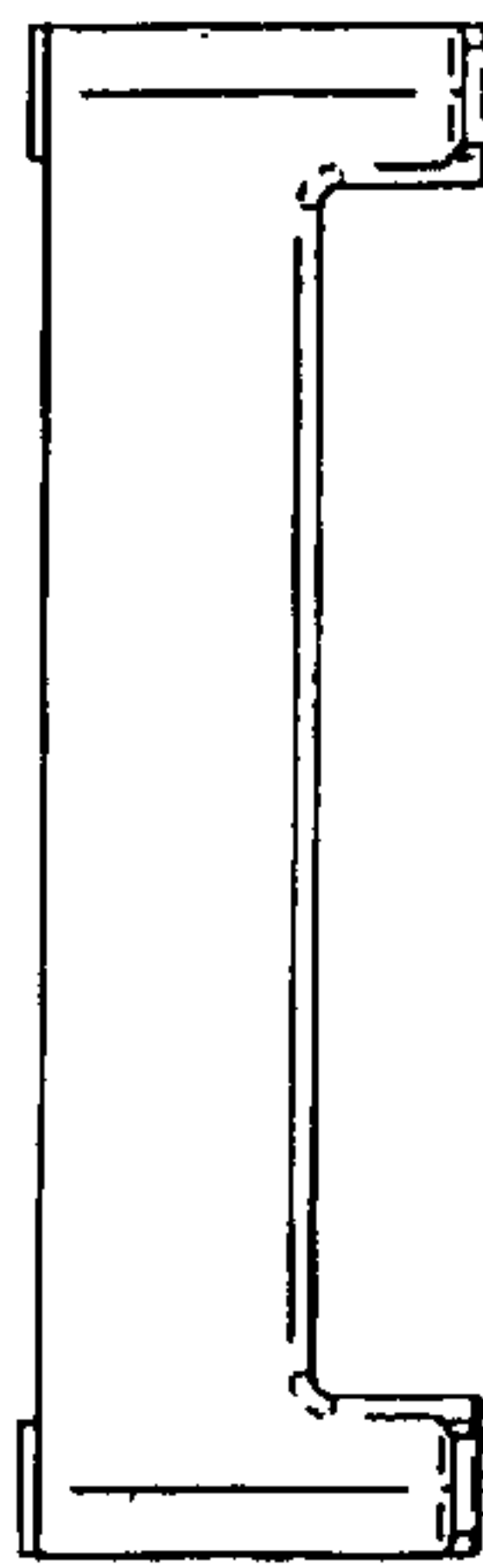


FIG. 2

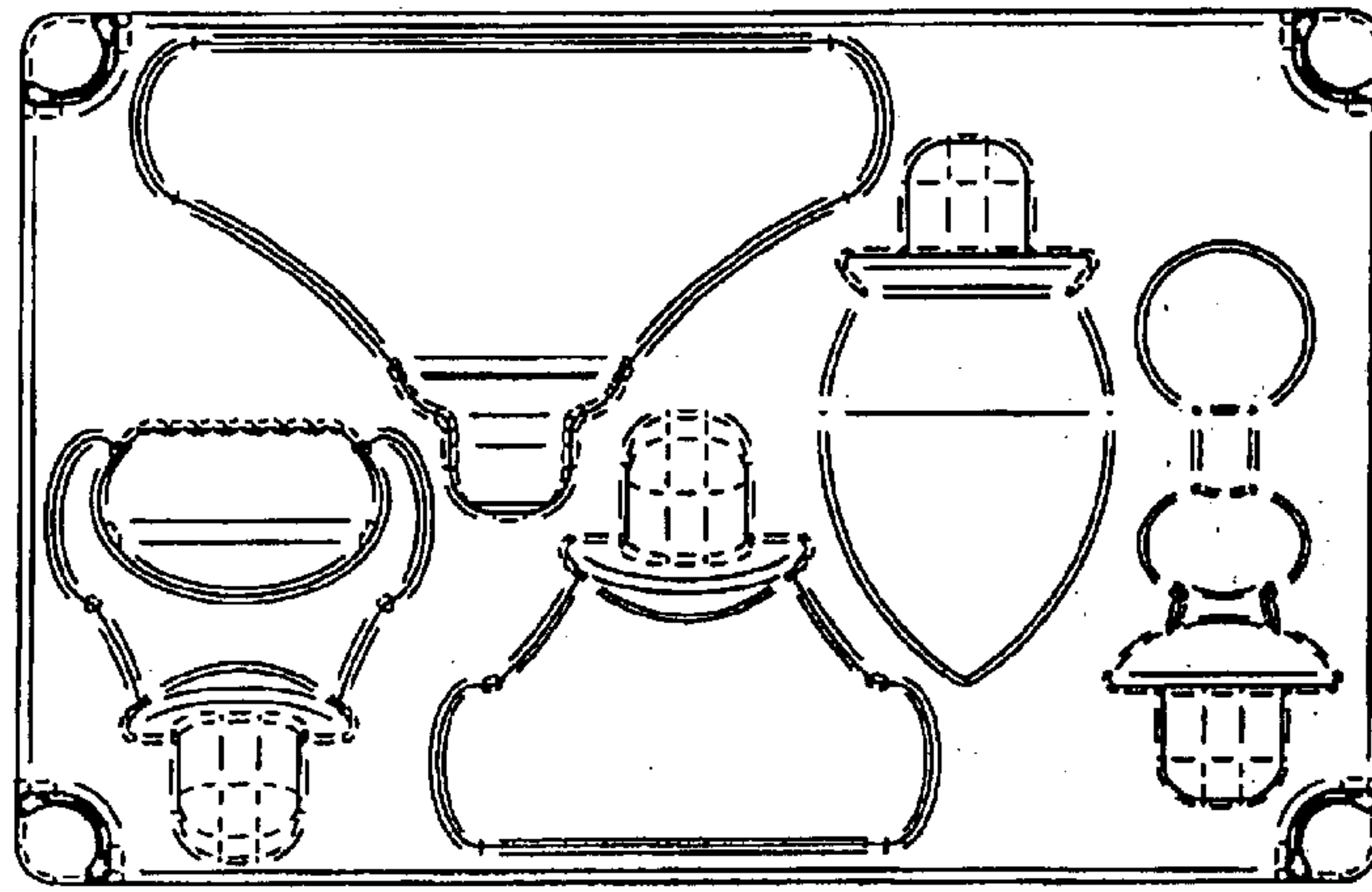


FIG. 4

