

US00D506102S

(12) **United States Design Patent**
Ikegaki

(10) **Patent No.:** **US D506,102 S**
(45) **Date of Patent:** **** Jun. 14, 2005**

(54) **HAND-HELD MIXER**

(75) **Inventor:** **Ikuo Ikegaki, Seki (JP)**

(73) **Assignee:** **Kai R & D Center Co., Ltd., Gifu (JP)**

(**) **Term:** **14 Years**

(21) **Appl. No.:** **29/197,612**

(22) **Filed:** **Jan. 16, 2004**

(30) **Foreign Application Priority Data**

Jul. 18, 2003 (JP) 2003-020830

(51) **LOC (8) Cl.** **31-00**

(52) **U.S. Cl.** **D7/379; D7/376**

(58) **Field of Search** D7/376-386, 412,
D7/413, 300.1; 99/331, 337, 348, 492,
509-511; 215/222; 241/33-37.5, 101.01-101.2,
273.1-278.2, 282.1, 282.2; 366/129, 130,
142, 197-201, 205-207, 214, 241-251,
279-282

(56) **References Cited**

U.S. PATENT DOCUMENTS

- D392,504 S * 3/1998 Lallemand D7/376
- D408,214 S * 4/1999 Cousins D7/376
- D426,105 S * 6/2000 Littmann D7/376
- D437,184 S * 2/2001 Cruz D7/379

- D447,380 S * 9/2001 Feil D7/376
- D456,206 S * 4/2002 Feil D7/376
- D485,729 S * 1/2004 Patton et al. D7/379

* cited by examiner

Primary Examiner—Caron D. Veynar

(74) *Attorney, Agent, or Firm*—Koda & Androlia

(57) **CLAIM**

The ornamental design for a hand-held mixer, as shown and described.

DESCRIPTION

FIG. 1 is a front elevational view of the hand-held mixer, showing my new design;

FIG. 2 is a rear elevational view thereof;

FIG. 3 is a top plan view thereof, the bottom plan view being mirror image of the top plan view;

FIG. 4 is a left side elevational view thereof;

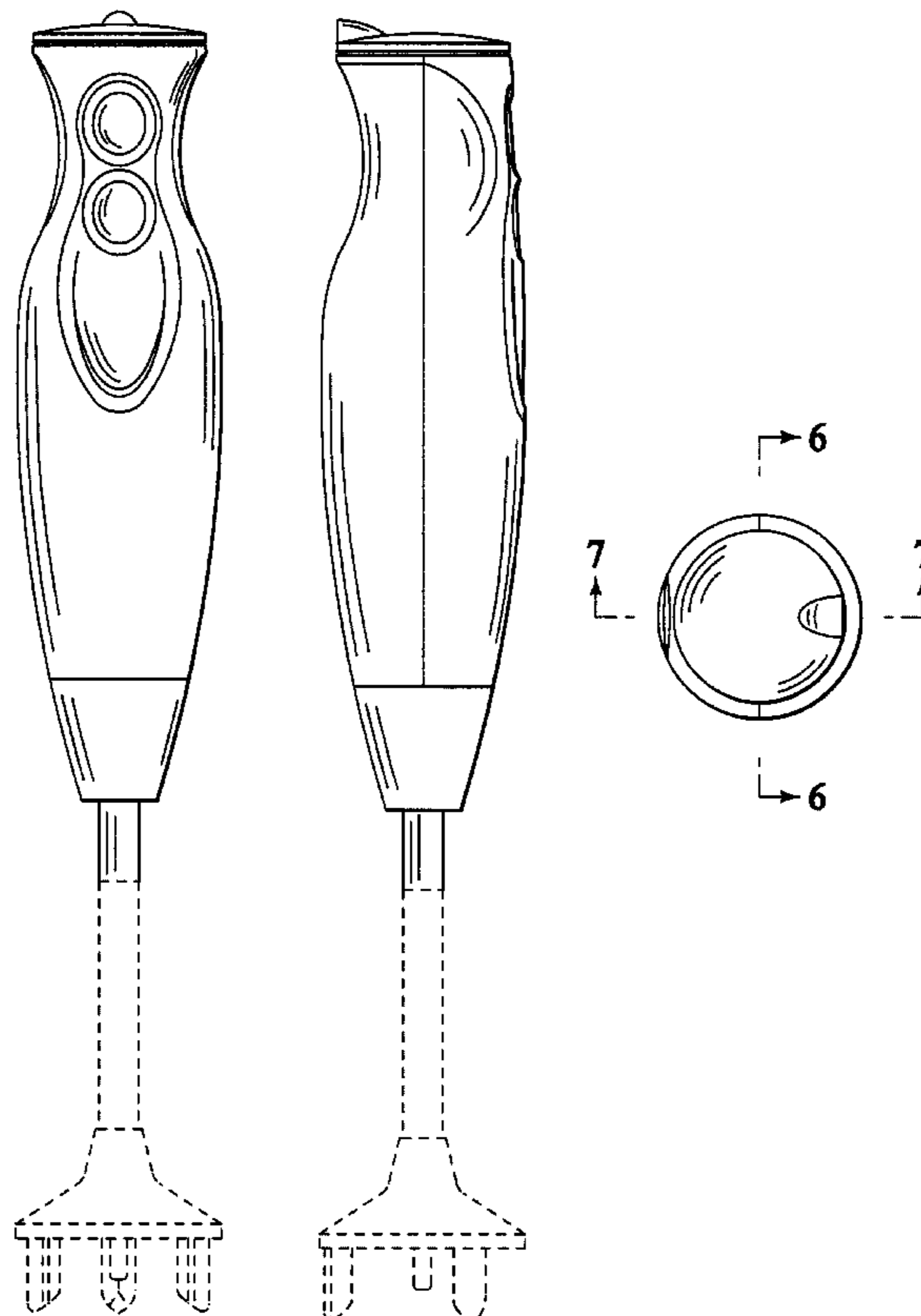
FIG. 5 is a right side elevational view thereof.

FIG. 6 is a cross-sectional view (internal mechanism omitted) taken along the lines 6—6 in FIG. 5; and,

FIG. 7 is a cross-sectional view (internal mechanism omitted) taken along the lines 7—7 in FIG. 5.

The broken lines on the drawings showing the mixing element are for illustrative purposes only and form no part of the claimed design.

1 Claim, 6 Drawing Sheets



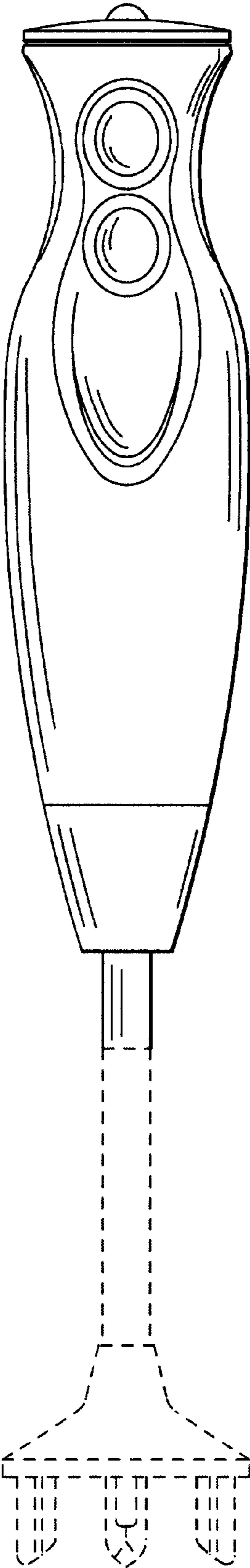


FIG. 1

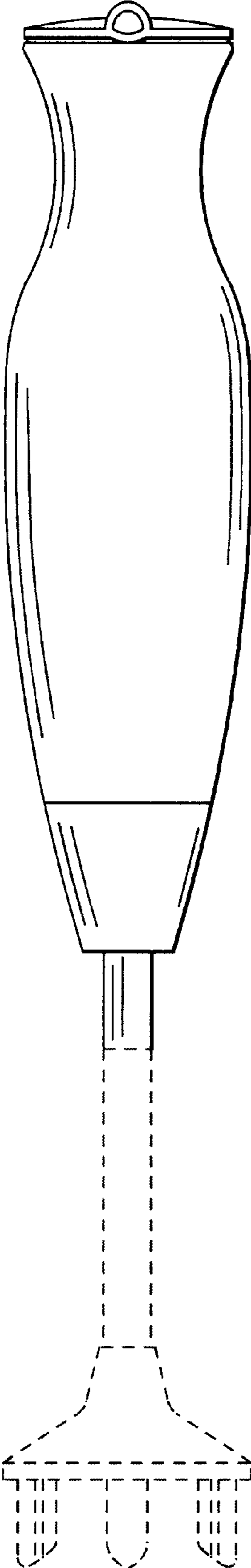


FIG. 2

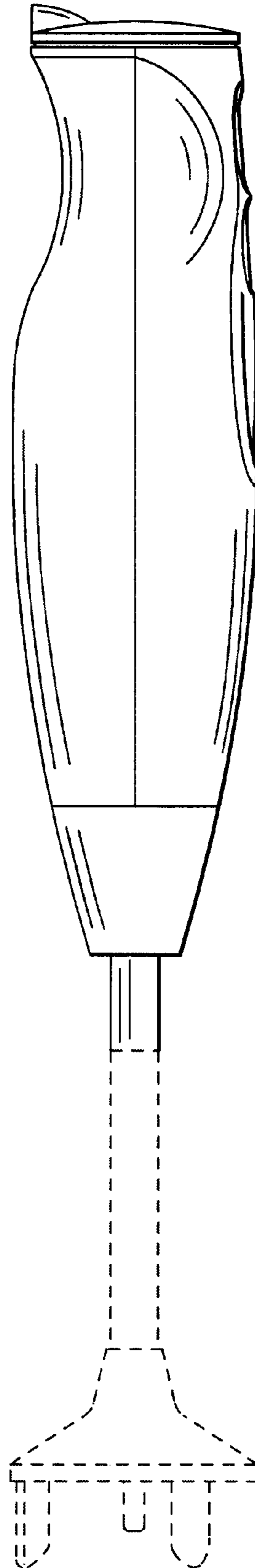


FIG. 3

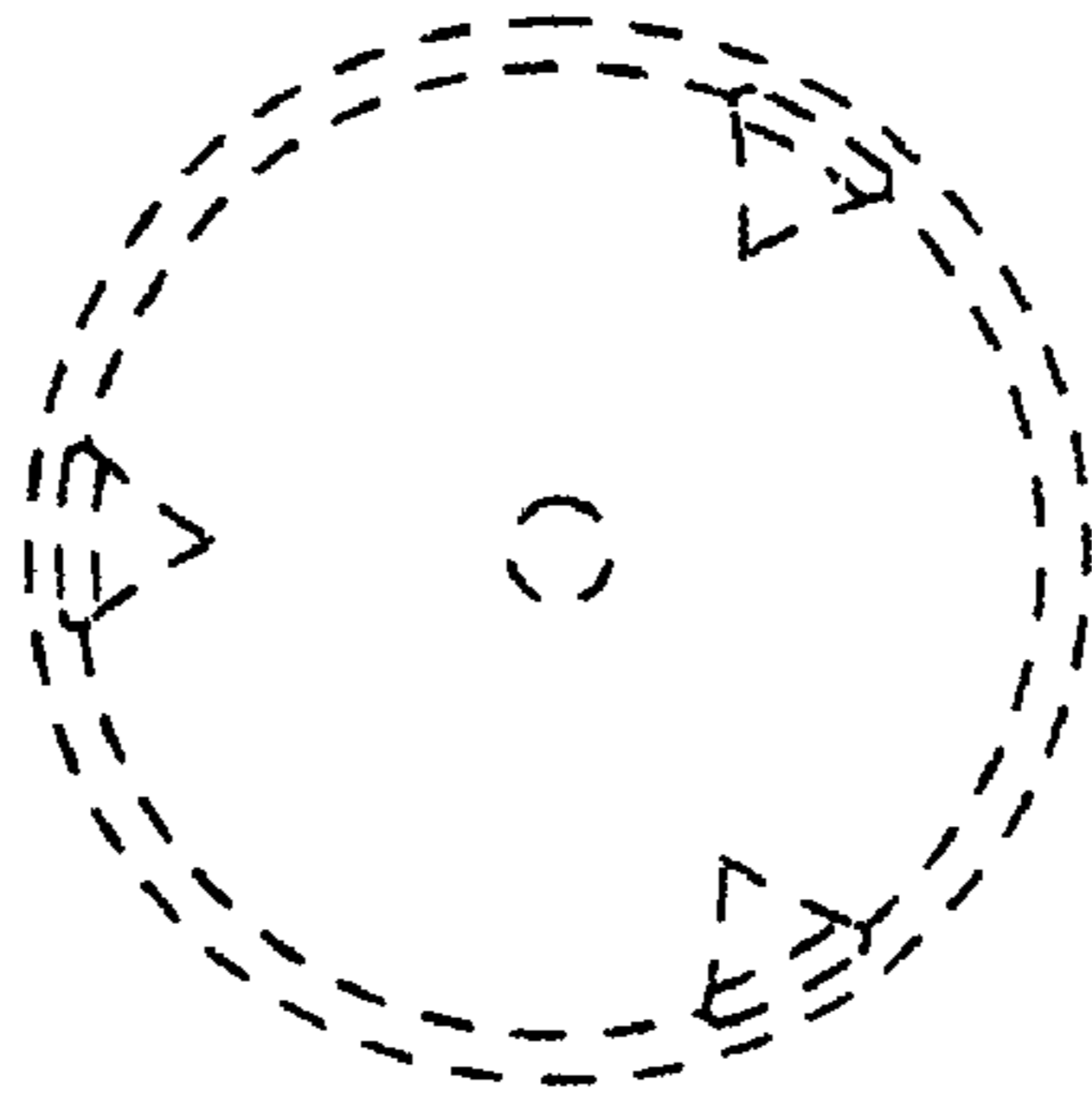


FIG. 4

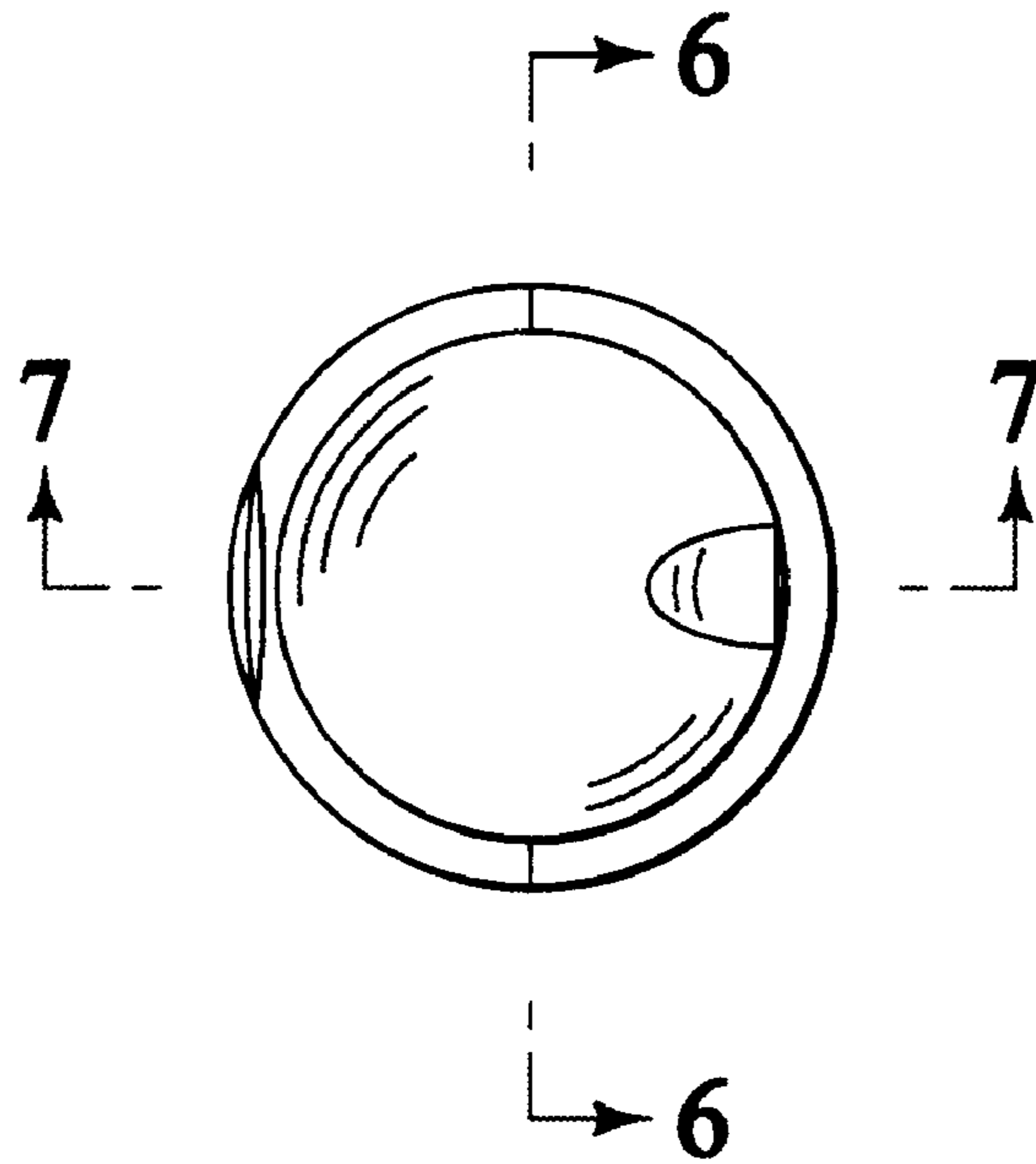


FIG. 5

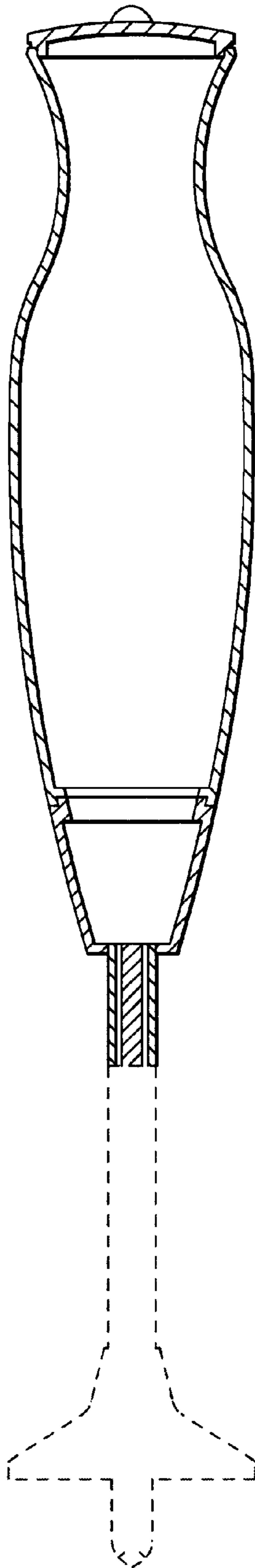


FIG. 6

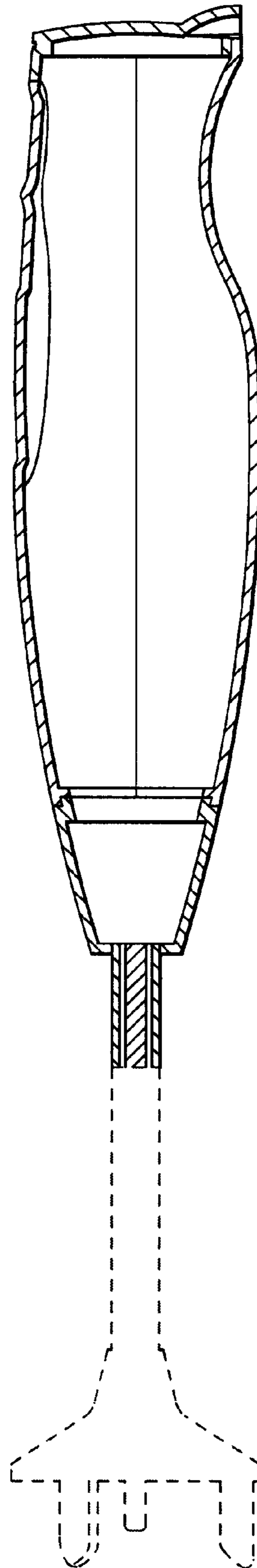


FIG. 7