

US00D506101S

(12) **United States Design Patent**  
**Rains**

(10) **Patent No.:** **US D506,101 S**  
(45) **Date of Patent:** **\*\* Jun. 14, 2005**

- (54) **CAR SEAT COVER**
- (76) **Inventor:** **Jerry T. Rains**, 523 W. 16th St.,  
Houston, TX (US) 77008
- (\*\*) **Term:** **14 Years**
- (21) **Appl. No.:** **29/202,753**
- (22) **Filed:** **Apr. 5, 2004**
- (51) **LOC (8) Cl.** ..... **06-13**
- (52) **U.S. Cl.** ..... **D6/611**
- (58) **Field of Search** ..... D6/334, 335, 356,  
D6/366, 500, 595, 610, 611; D12/133, 401;  
5/490, 622, 636, 637, 673; 150/154, 158,  
901; 297/218.5, 219.1, 223, 224, 225, 228.1,  
228.11, 228.12, 228.13, 229

(56) **References Cited**  
**U.S. PATENT DOCUMENTS**

- 3,278,226 A \* 10/1966 Magnusson ..... 297/228.1
- 4,458,738 A \* 7/1984 Wilson ..... 150/154
- 5,028,472 A \* 7/1991 Gray ..... 150/158
- D330,118 S \* 10/1992 Lanius et al. .... D6/356
- D365,216 S \* 12/1995 Smith ..... D6/356

2002/0096919 A1 \* 7/2002 Sparks ..... 297/228.12

\* cited by examiner

*Primary Examiner*—Louis S. Zarfes  
*Assistant Examiner*—Monica A. Weingart  
(74) *Attorney, Agent, or Firm*—Harrison & Egbert

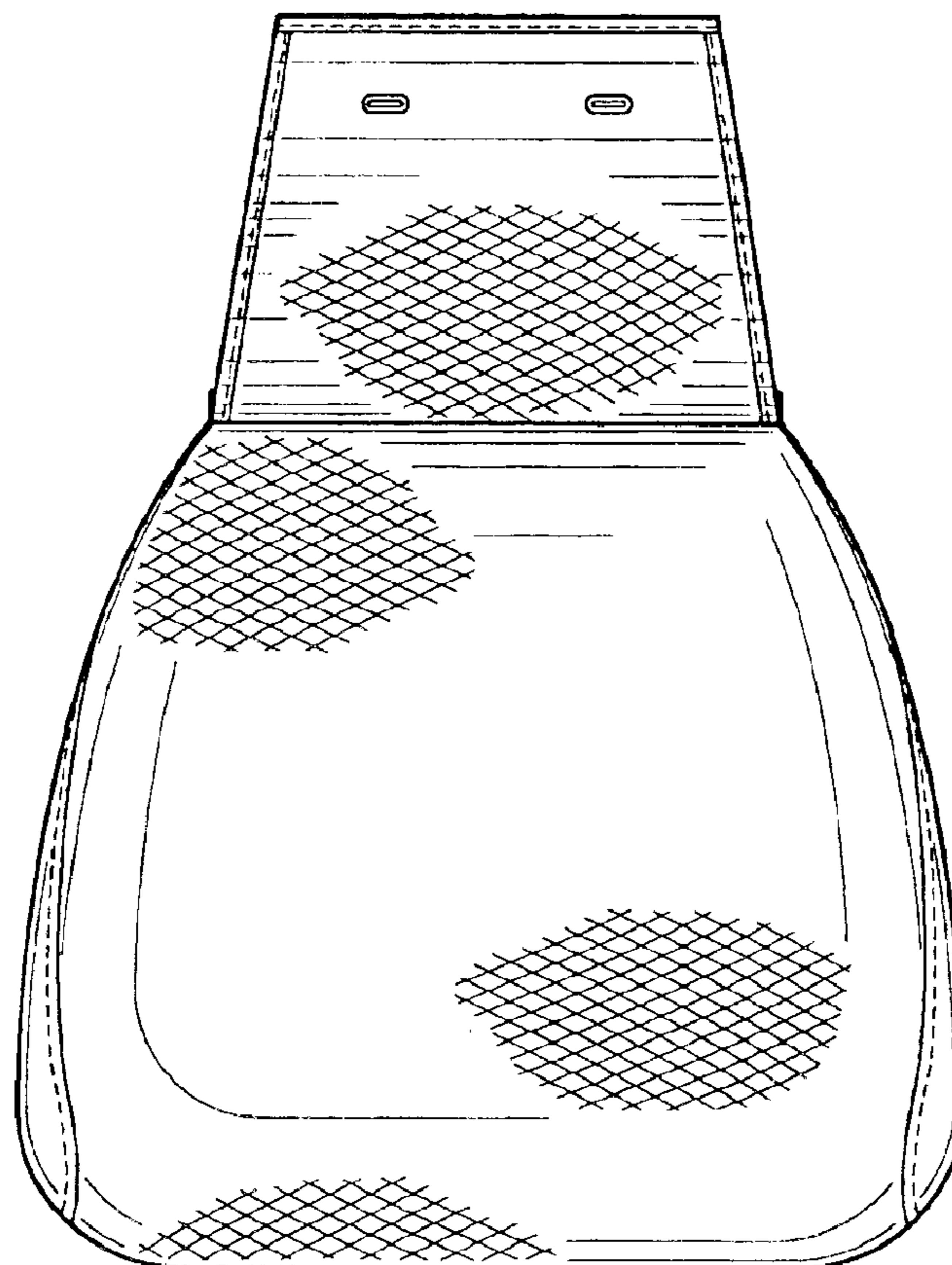
(57) **CLAIM**

I claim the ornamental design for a car seat cover, as shown and described.

**DESCRIPTION**

FIG. 1 is a top plan view of the car seat cover showing my design.  
FIG. 2 is a bottom view thereof;  
FIG. 3 a side view thereof, an opposite side view being a mirror image thereof;  
FIG. 4 is a front view thereof;  
FIG. 5 is a back view thereof; and,  
FIG. 6 is an upper perspective view thereof showing attachment to a car seat in broken lines.  
The broken lines are presented for illustrative purposes only and form no part of the claimed design.

**1 Claim, 3 Drawing Sheets**



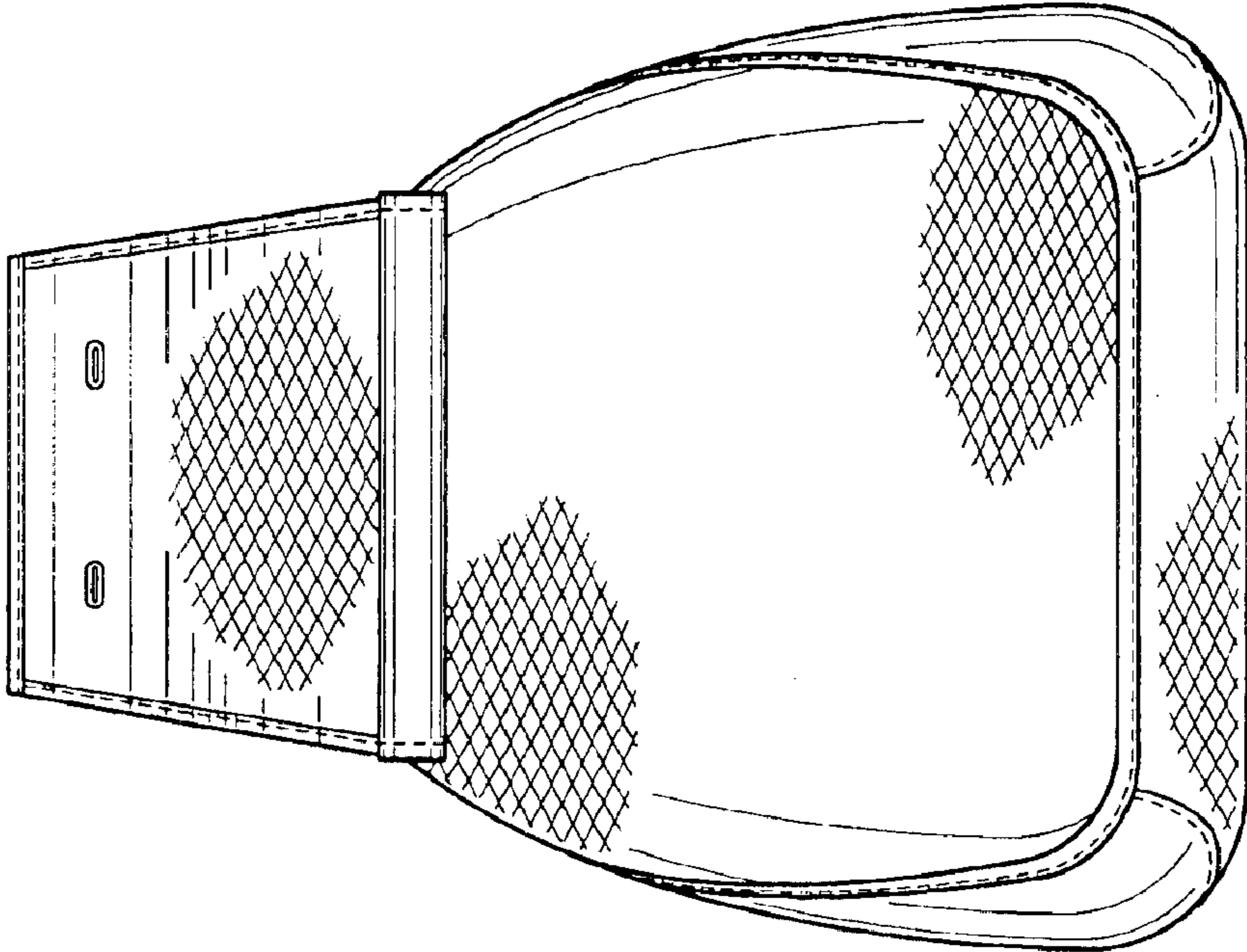


FIG. 1

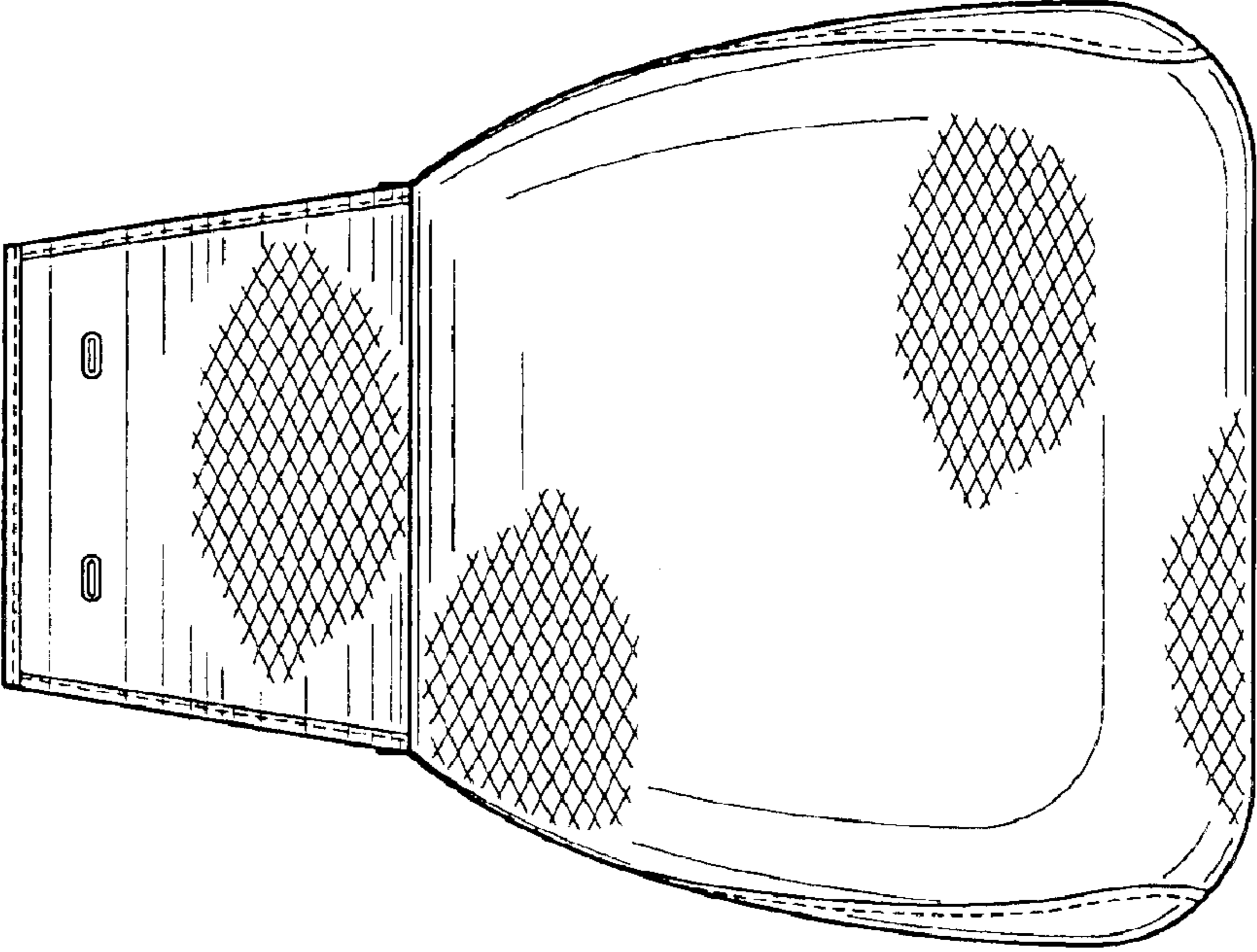


FIG. 2

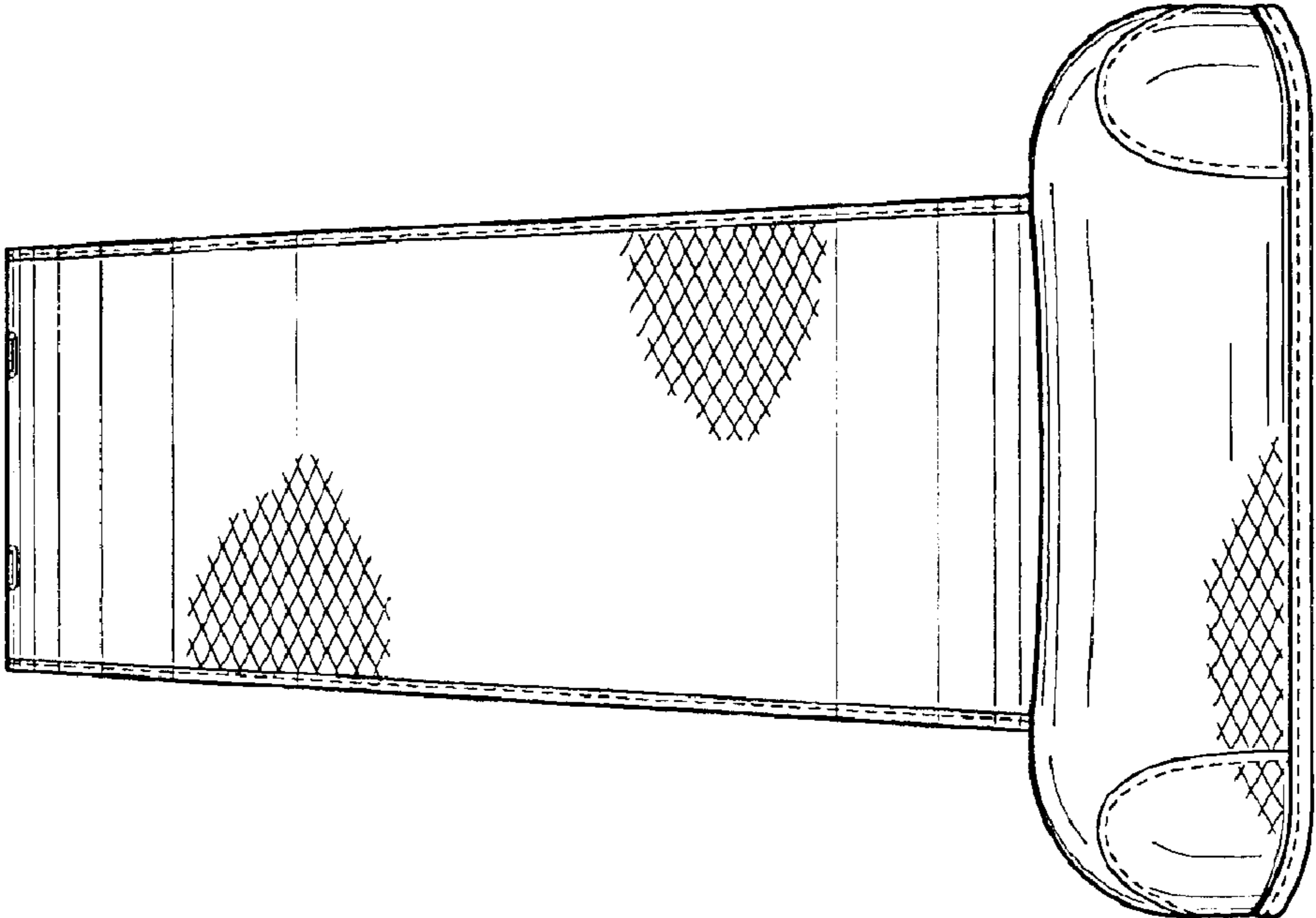


FIG. 4

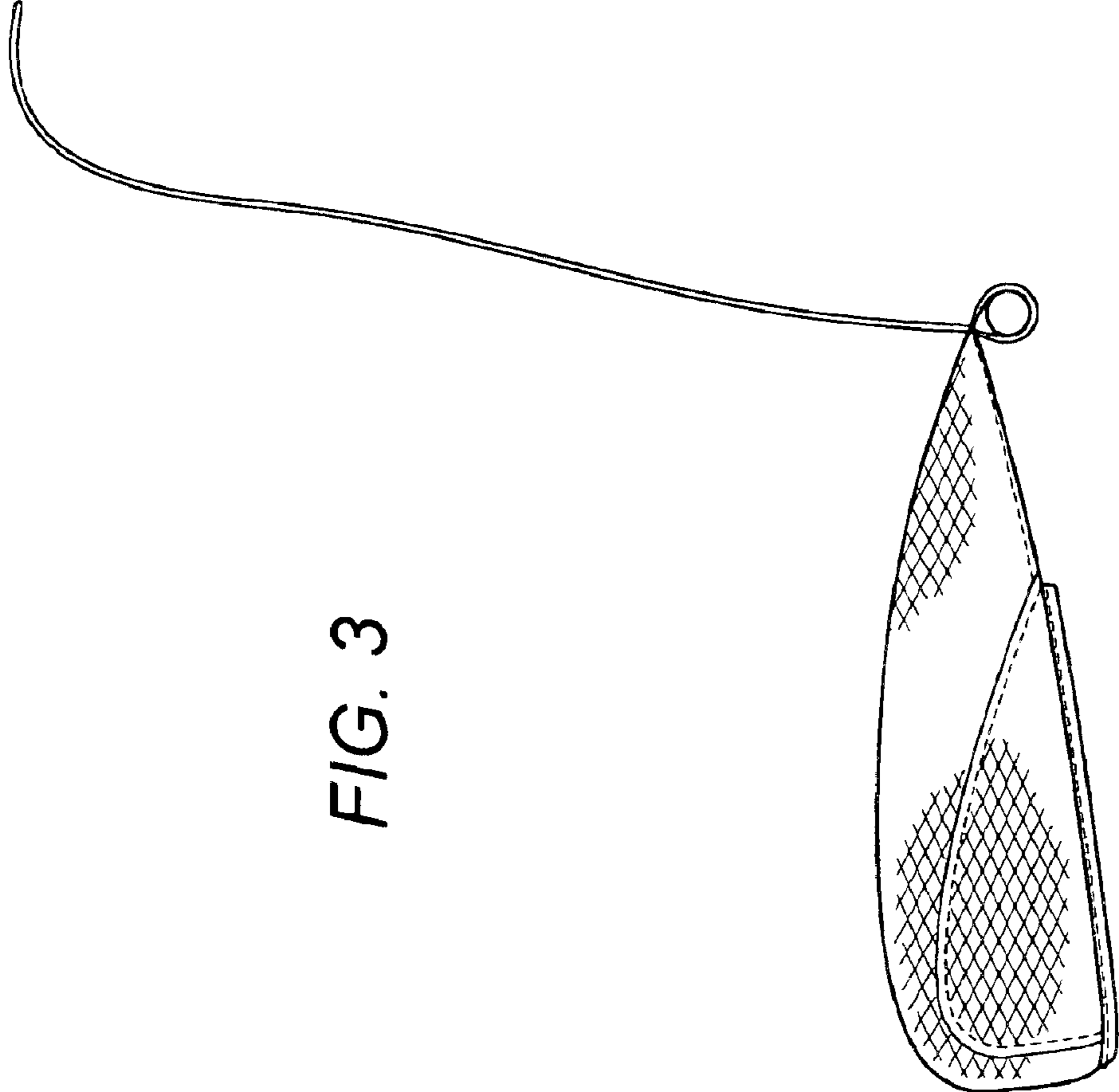


FIG. 3

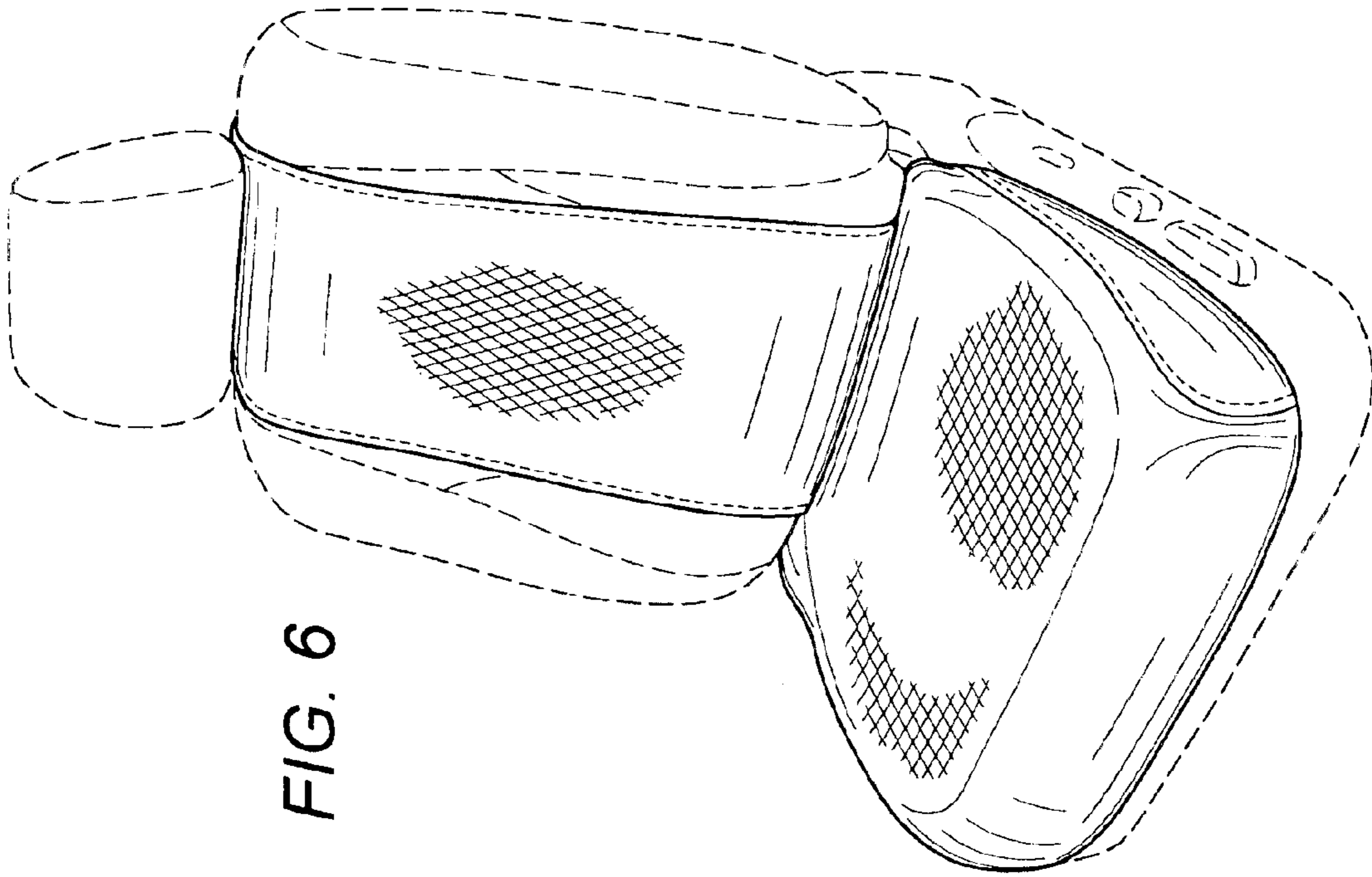


FIG. 6

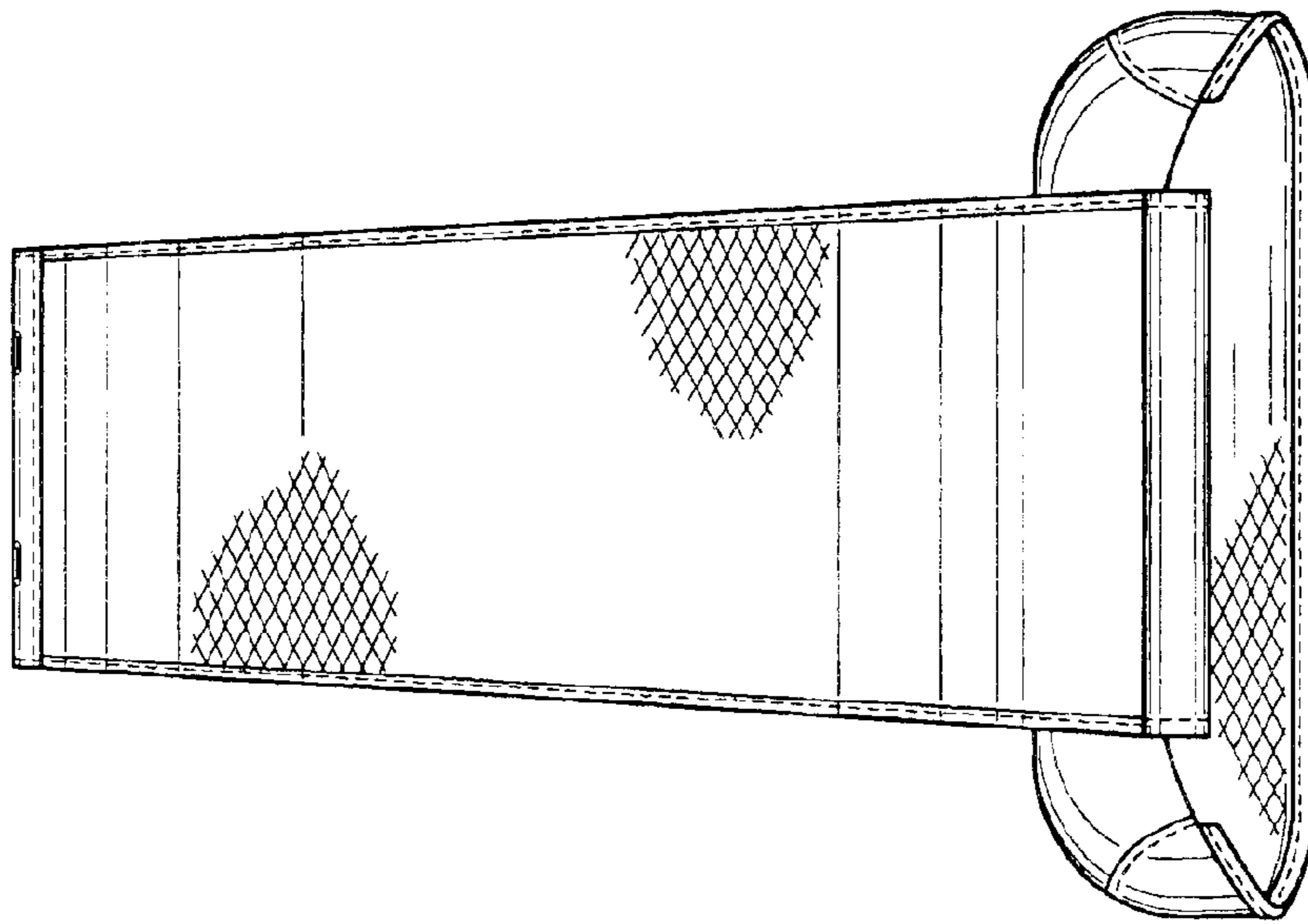


FIG. 5