

US00D506097S

(12) **United States Design Patent**  
**Davis et al.**

(10) **Patent No.: US D506,097 S**  
(45) **Date of Patent: \*\* Jun. 14, 2005**

(54) **ABSORBANT MAT FOR CATCHING FOODS THEREON**

4,822,669 A 4/1989 Roga  
4,940,620 A 7/1990 Silk et al.  
5,053,262 A 10/1991 Kerr  
D349,424 S 8/1994 Schlegel

(76) Inventors: **Tim A. Davis**, 2617 NE. 15th Ave.,  
Pompano Beach, FL (US) 33064; **Robin M. Davis**, 2617 NE. 15th Ave.,  
Pompano Beach, FL (US) 33064

\* cited by examiner

*Primary Examiner*—Holly Baynham

(\*\*) Term: **14 Years**

(57) **CLAIM**

(21) Appl. No.: **29/215,410**

The ornamental design for a absorbant mat for catching foods thereon, as shown and described.

(22) Filed: **Oct. 20, 2004**

**DESCRIPTION**

(51) **LOC (8) Cl.** ..... **06-11**

(52) **U.S. Cl.** ..... **D6/588; D6/582**

(58) **Field of Search** ..... D6/582–583, 588;  
15/215–217; 428/78, 88, 198, 81; D7/551.3

FIG. 1 is a top plan view of a absorbant mat for catching foods thereon showing our new design;  
FIG. 2 is a bottom plan view thereof;  
FIG. 3 is a side elevational view thereof;  
FIG. 4 is a front elevational view thereof; and,  
FIG. 5 is a perspective view thereof.

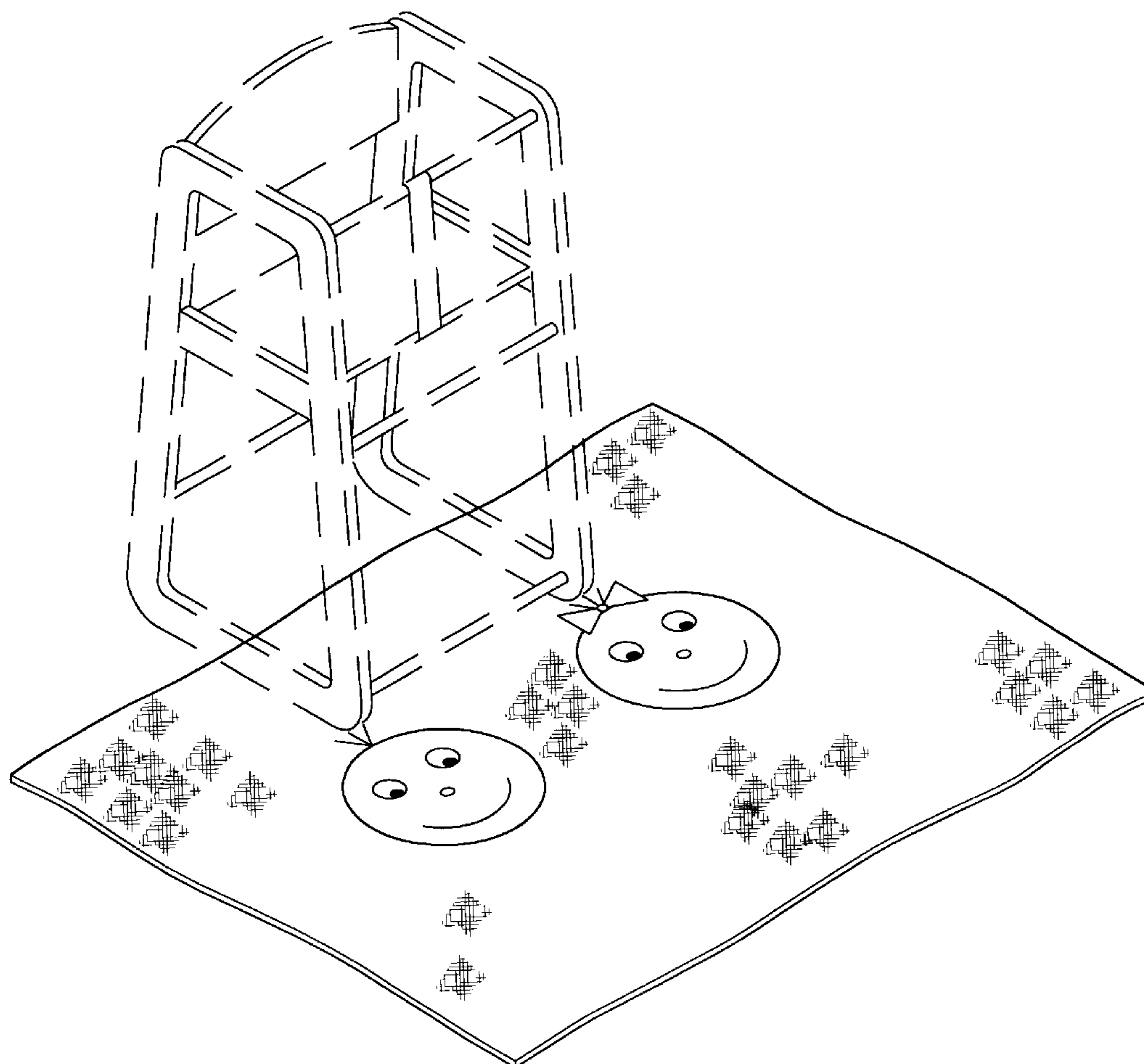
The broken line showing of a high chair is for illustrative purposes only and forms no part of the claimed design.

(56) **References Cited**

**U.S. PATENT DOCUMENTS**

2,897,108 A 7/1959 Harwood  
3,674,616 A \* 7/1972 Howard ..... 428/88  
4,483,895 A 11/1984 Deaver

**1 Claim, 3 Drawing Sheets**



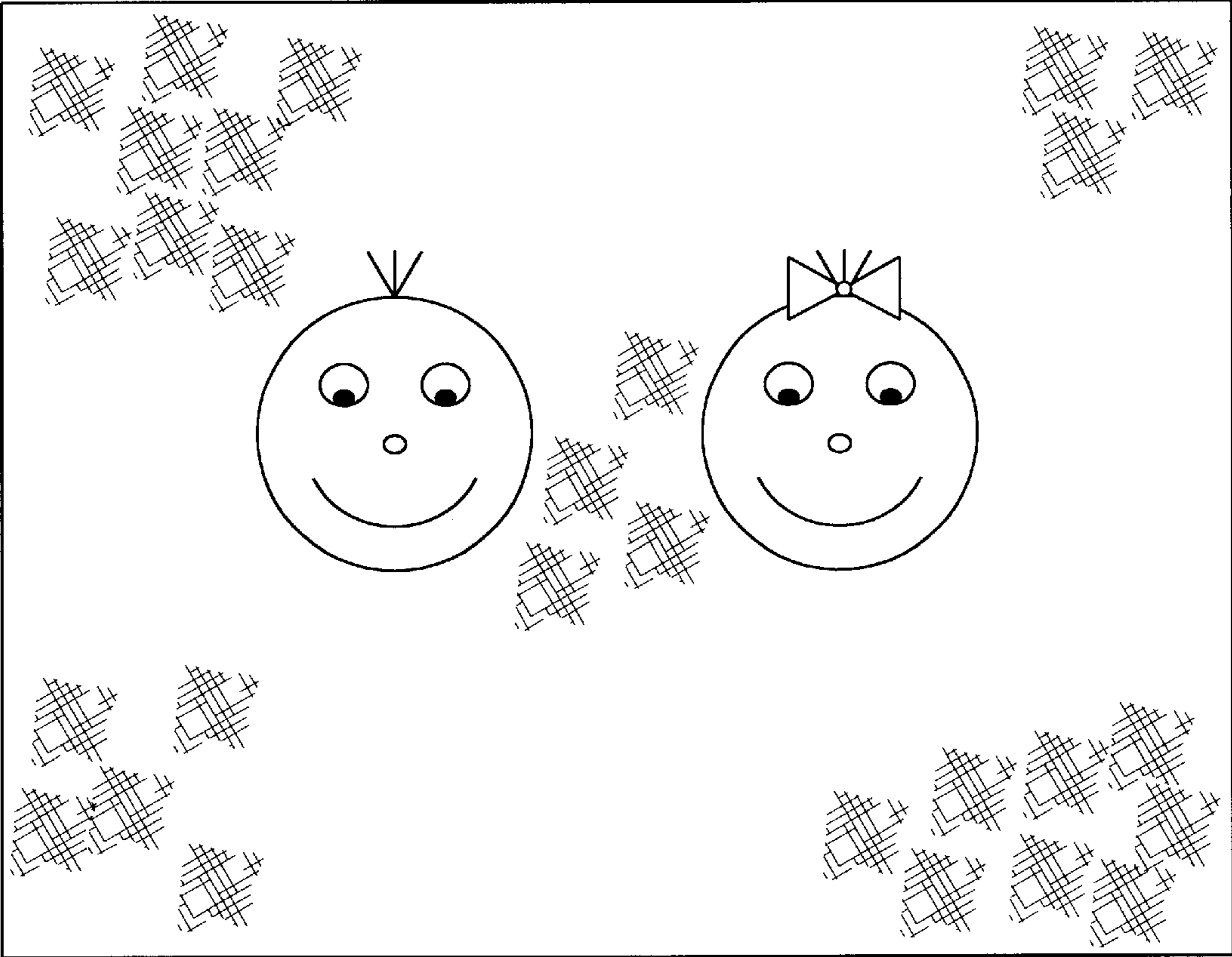


FIG. 1

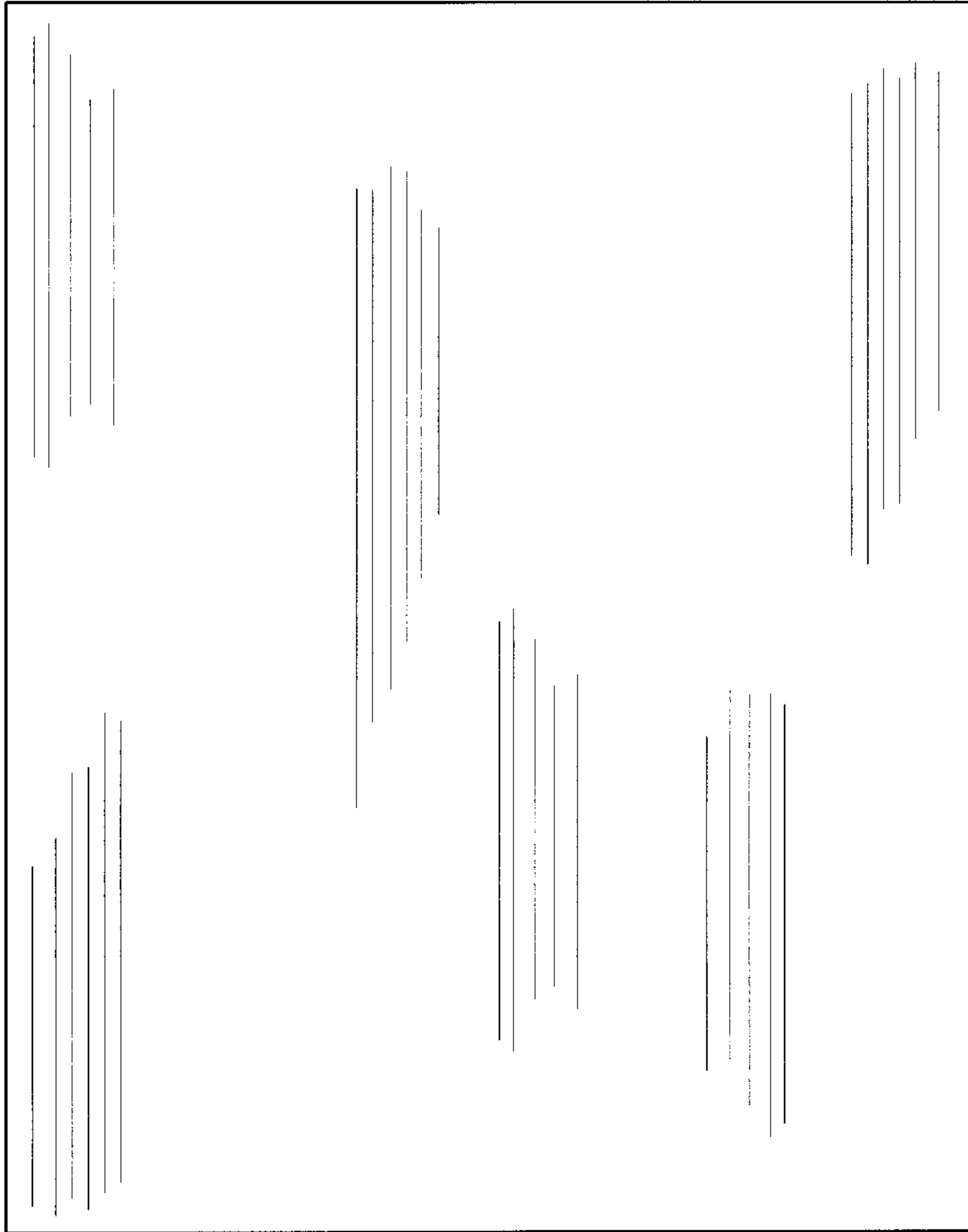


FIG. 2



FIG. 3



FIG. 4

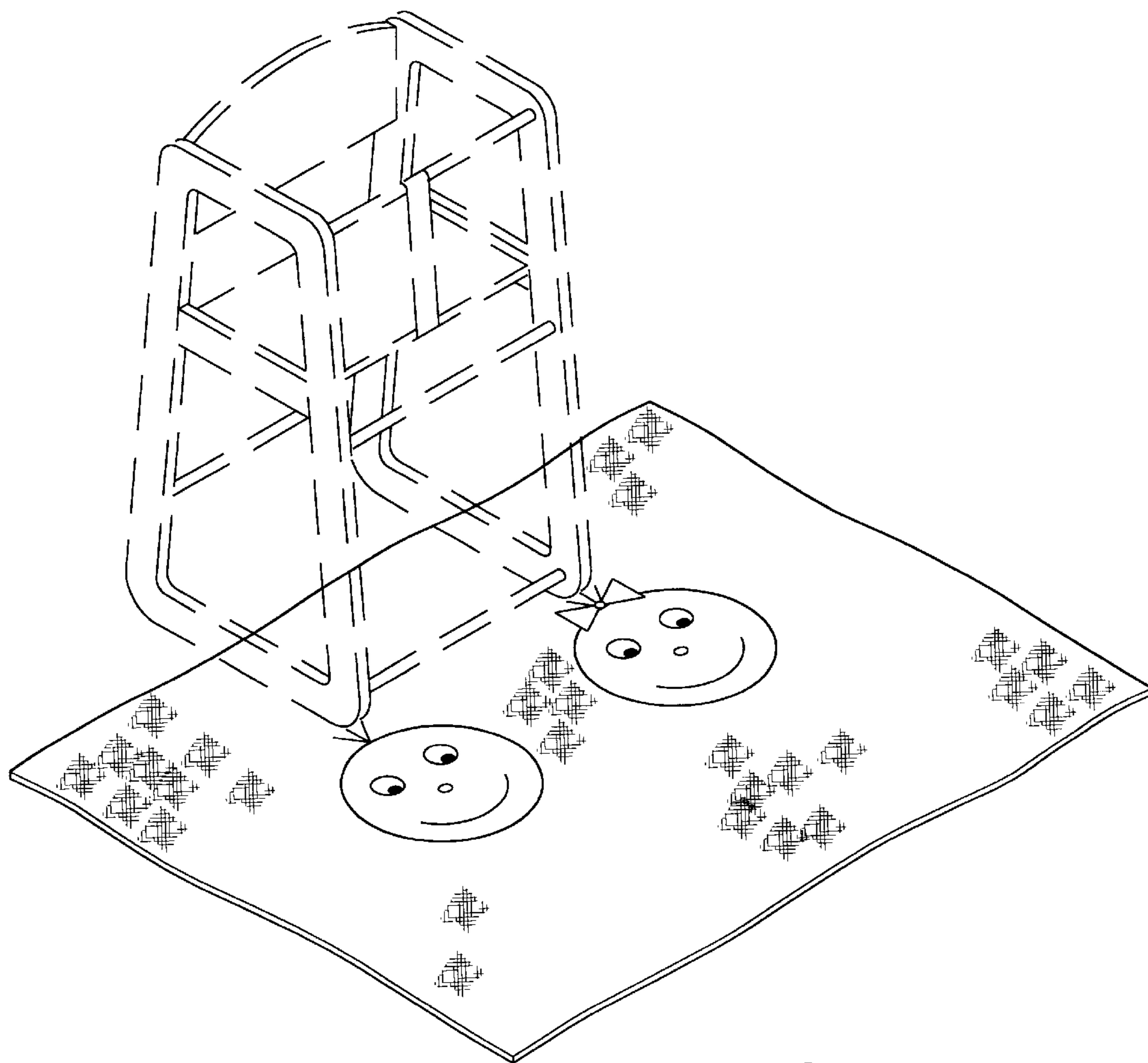


FIG. 5