



US00D506096S

(12) **United States Design Patent**  
**Allsopp**

(10) **Patent No.:** **US D506,096 S**  
(45) **Date of Patent:** **\*\* Jun. 14, 2005**

(54) **CENTER PIN FOR A BLIND**  
(75) **Inventor:** **Reginald Charles Allsopp**, Cheshire (GB)  
(73) **Assignee:** **Louver Lite Limited**, Hyde (GB)  
(\*\*) **Term:** **14 Years**

(21) **Appl. No.:** **29/190,002**  
(22) **Filed:** **Sep. 12, 2003**

(30) **Foreign Application Priority Data**

Aug. 27, 2003 (EM) ..... 71055

(51) **LOC (8) Cl.** ..... **06-10**  
(52) **U.S. Cl.** ..... **D6/580**  
(58) **Field of Search** ..... D6/580; 160/177 R, 160/321, 323.1, 126, 307

(56) **References Cited**

**U.S. PATENT DOCUMENTS**

3,581,800 A \* 6/1971 Nelson et al. .... 160/323.1  
4,865,109 A 9/1989 Sherman  
5,137,073 A \* 8/1992 Huang ..... 160/321  
5,297,608 A \* 3/1994 Rap et al. .... 160/177 R  
5,361,822 A 11/1994 Nijs  
5,375,643 A 12/1994 Rude  
5,669,432 A \* 9/1997 Nisenson et al. .... 160/307  
6,173,825 B1 1/2001 Liu  
6,325,133 B1 \* 12/2001 Lin ..... 160/177 R  
2003/0085003 A1 5/2003 Cheng

**FOREIGN PATENT DOCUMENTS**

DE 200 22 527 11/2001  
EP 0 481 688 10/1991

EP 0 717 166 6/1996  
EP 0 869 254 10/1998  
EP 0 940 553 9/1999  
EP 0 972 906 1/2000  
EP 0 976 909 2/2000  
FR 2 800 121 10/1999  
GB 2 181 475 4/1997  
GB 2 313 143 5/1997  
GB D 2104201 10/2001  
GB D 2106405 1/2002  
GB D 3006555 9/2002  
JP 09 310 570 12/1997  
WO 94/15057 7/1994  
WO 96/05400 2/1996

\* cited by examiner

*Primary Examiner*—Holly Baynham  
(74) *Attorney, Agent, or Firm*—Haugen Law Firm PLLP

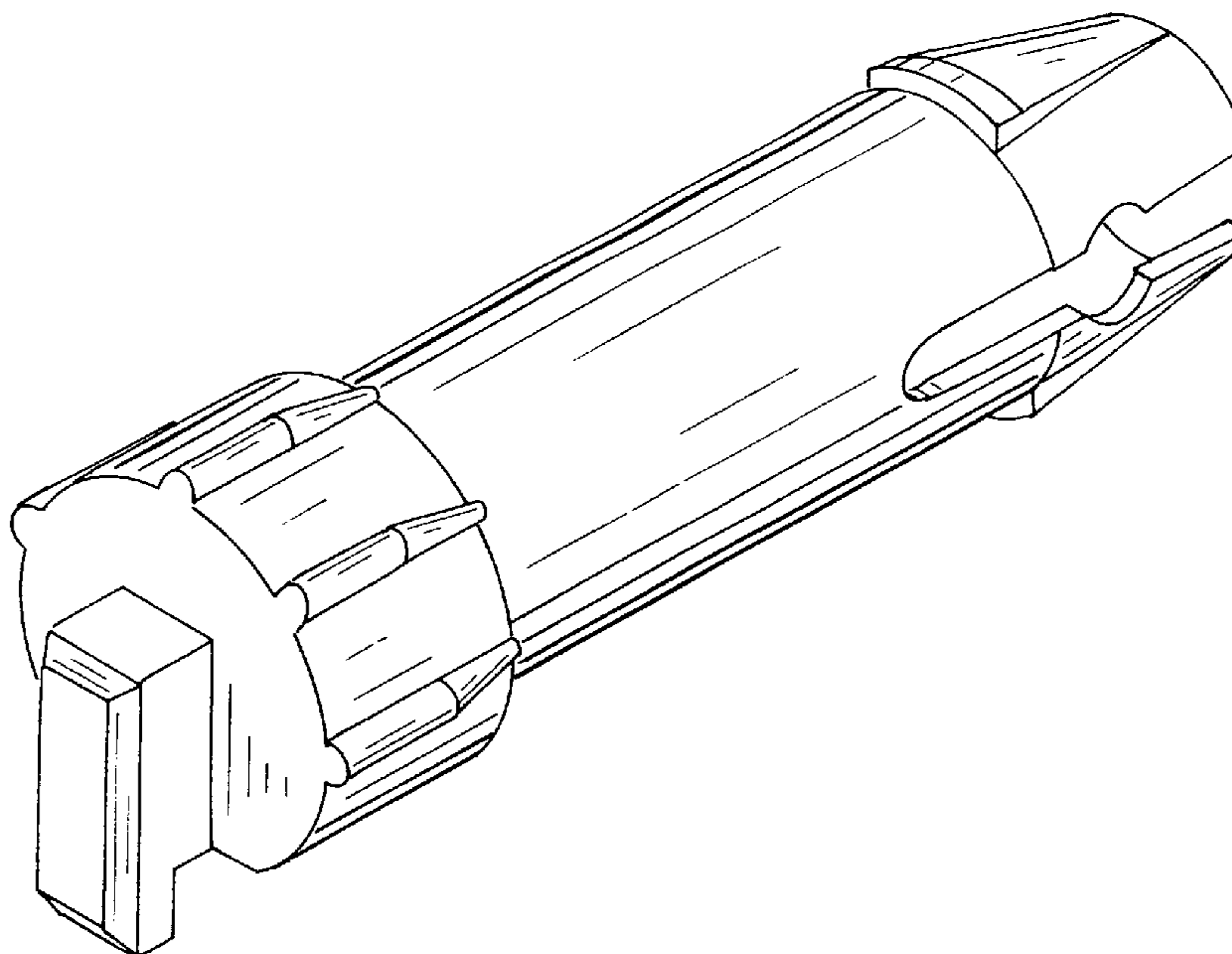
(57) **CLAIM**

The ornamental design for a center pin for a blind, as shown and described.

**DESCRIPTION**

FIG. 1 is a perspective view from the front, above, and one side of the centre pin for a blind of the present design; FIG. 2 is a perspective view from the front, below, and one side of the present design; FIG. 3 is a plan view from one end of the design; FIG. 4 is a plan view from the opposed end of the design as shown in FIG. 3; FIG. 5 is a perspective view from the rear, above, and the other side of the design as shown in FIG. 1; and, FIG. 6 is a perspective view from the rear, below, and the other side of the design as shown in FIG. 1.

**1 Claim, 3 Drawing Sheets**



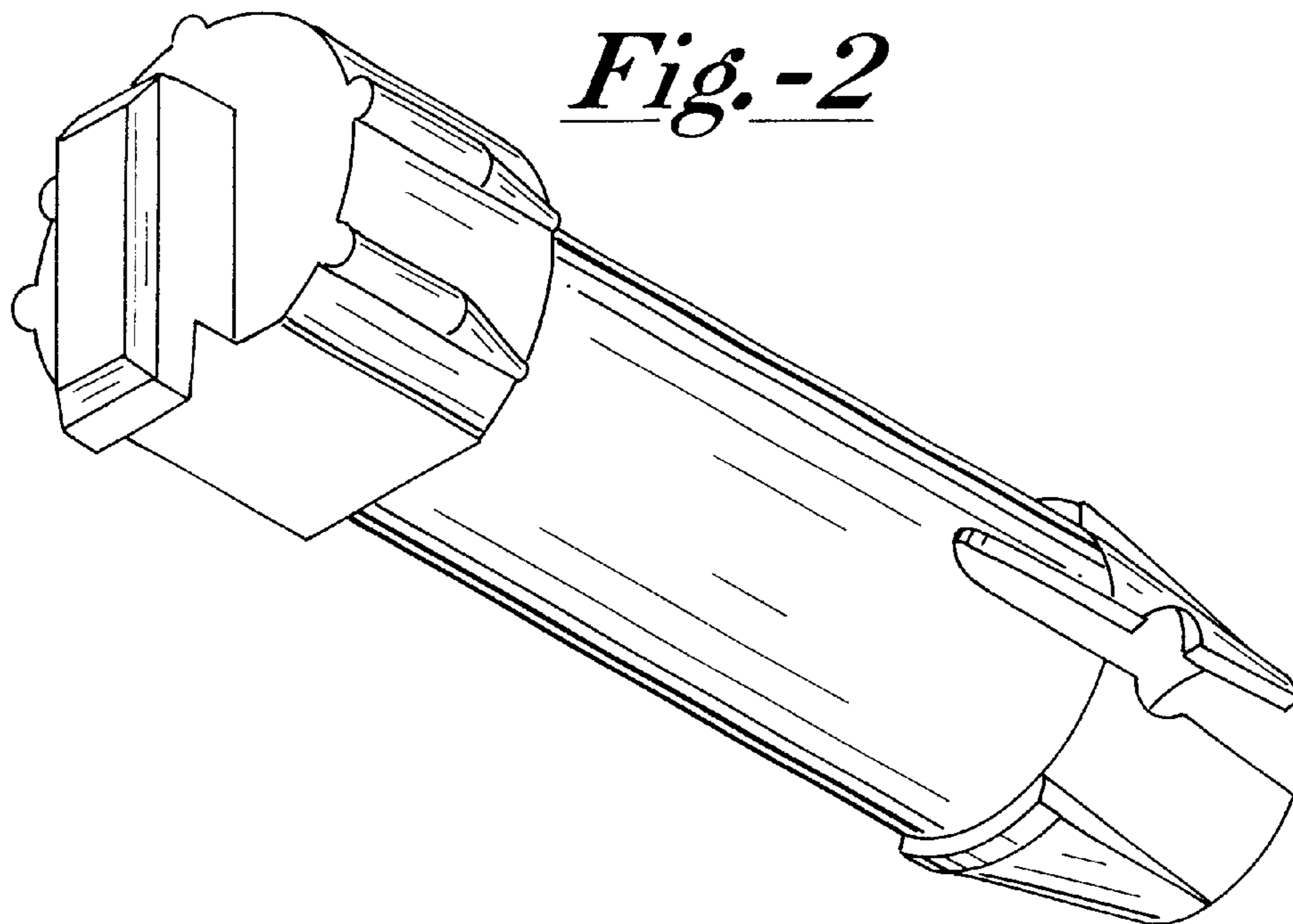
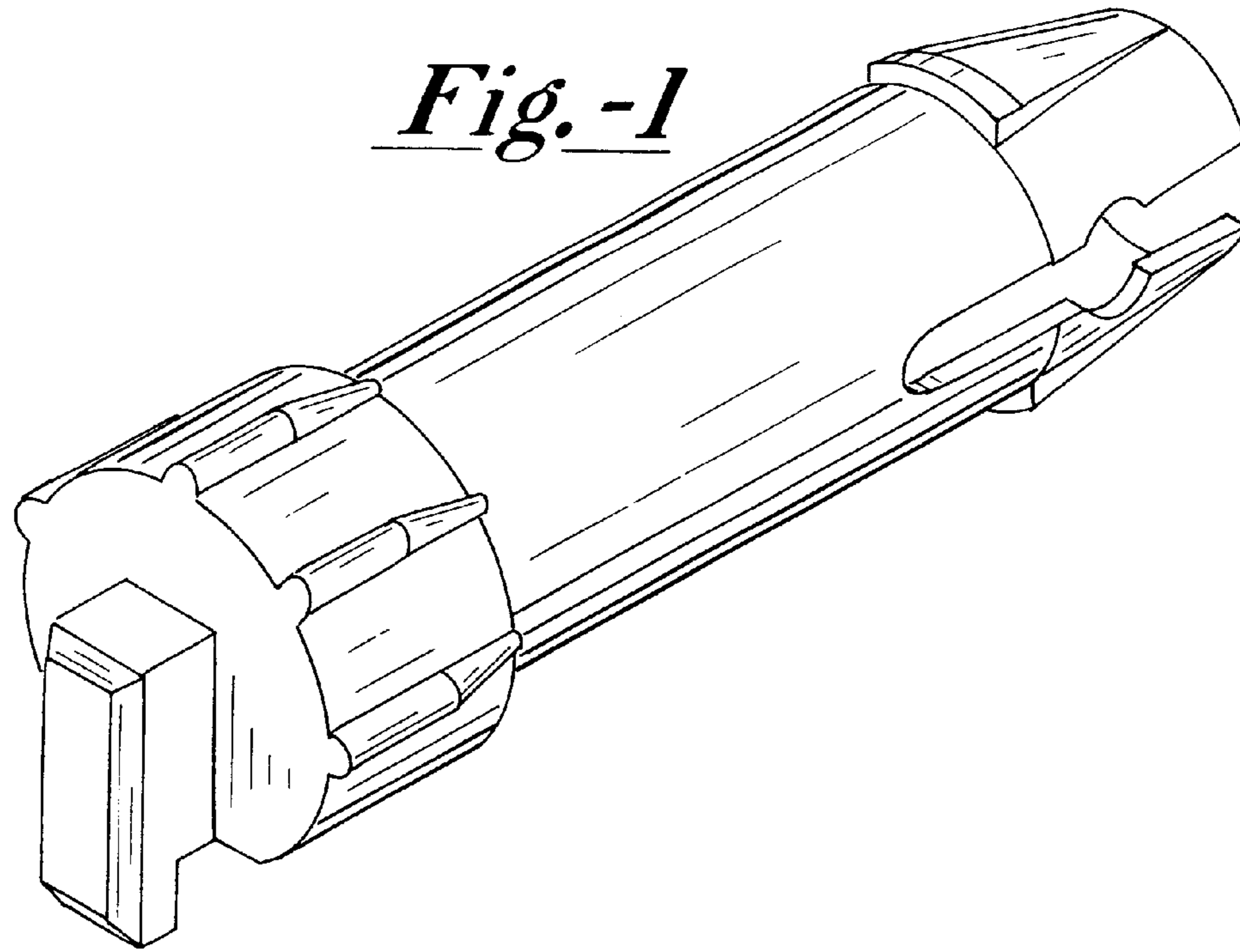


Fig. - 3

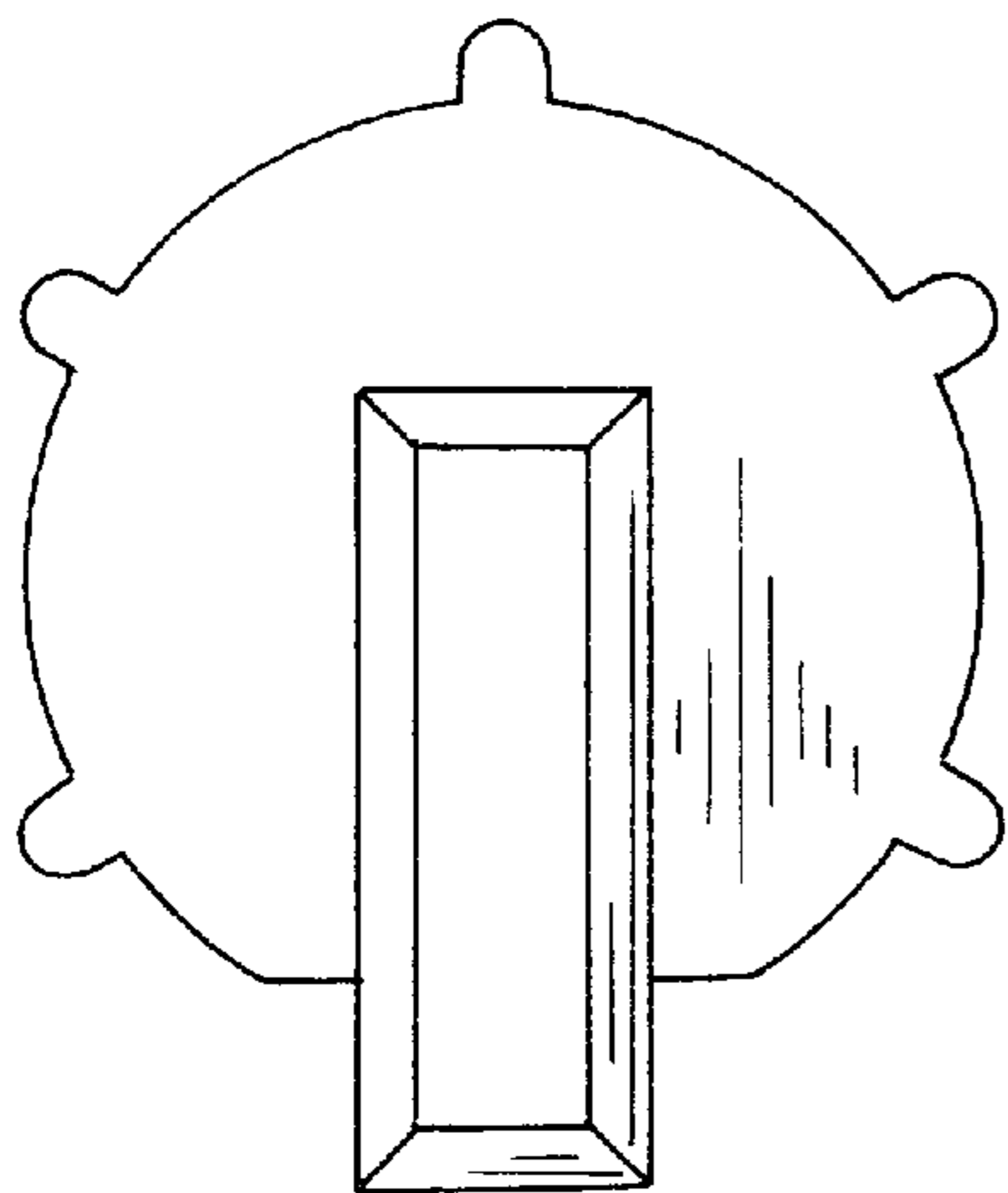
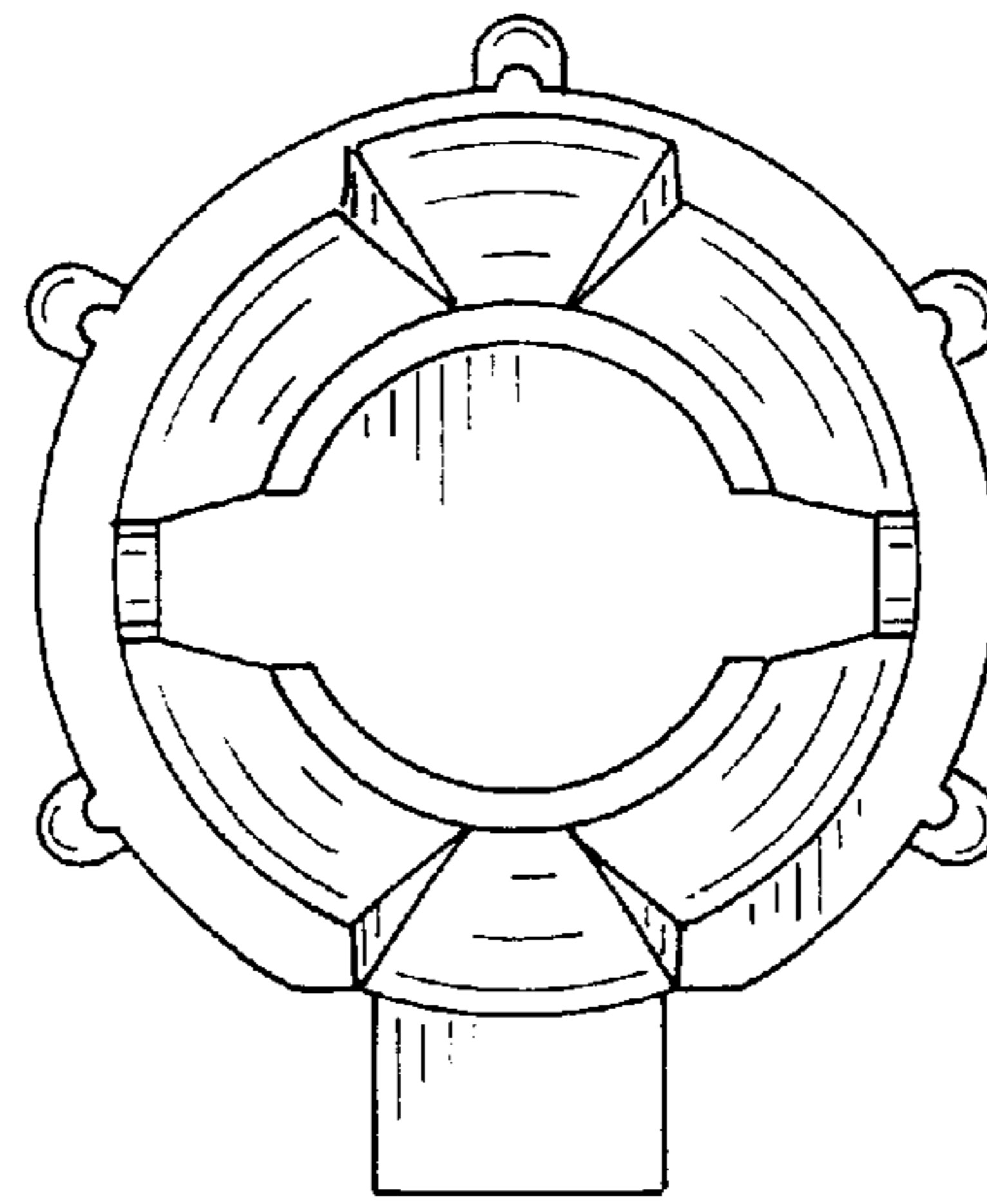
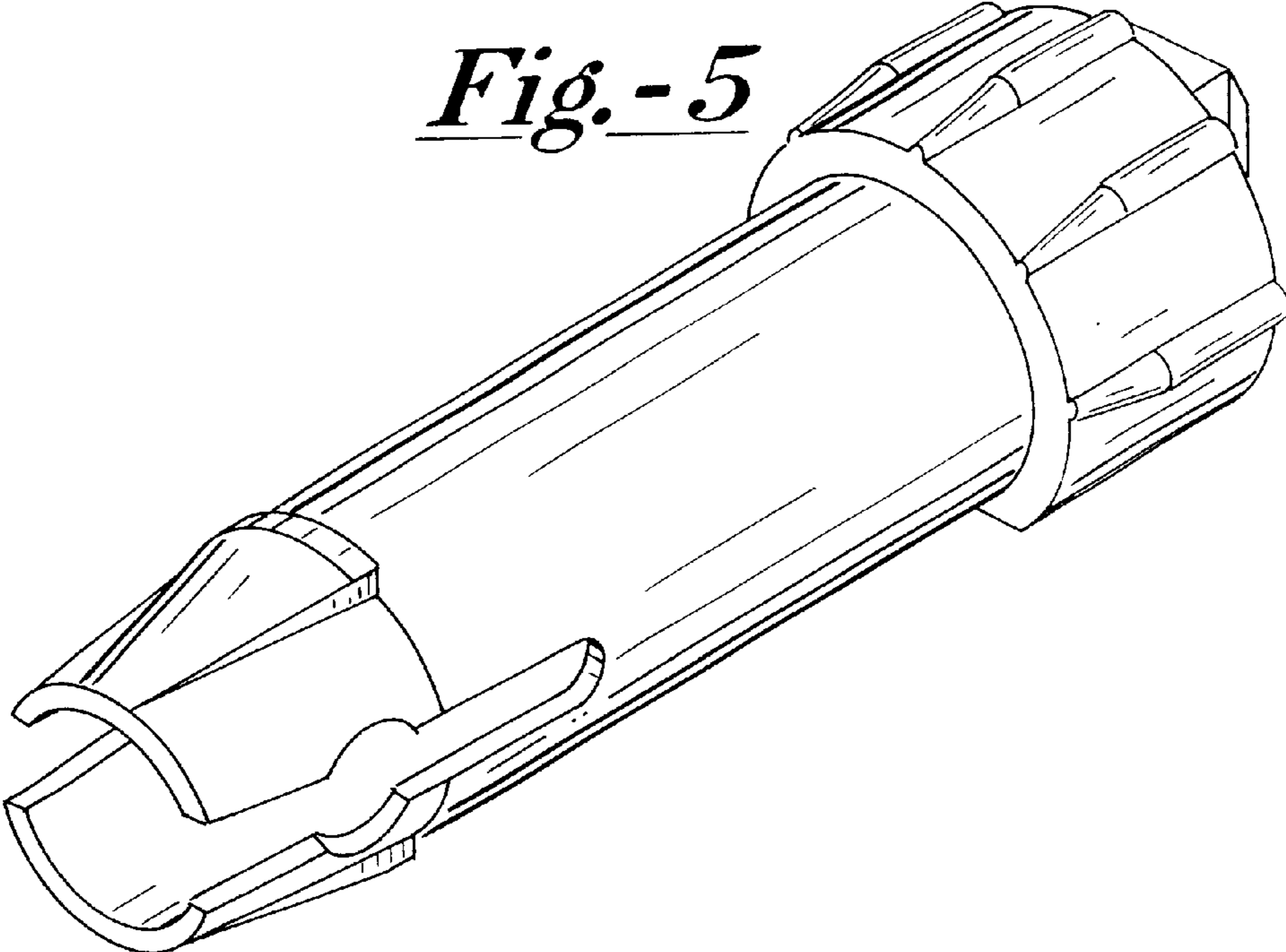


Fig. - 4



*Fig.-5*



*Fig.-6*

