

US00D506091S

(12) **United States Design Patent**  
**Cioncada**

(10) **Patent No.:** **US D506,091 S**  
(45) **Date of Patent:** **\*\* Jun. 14, 2005**

(54) **TABLE**

(75) **Inventor:** **Enrico Cioncada, Salerno (IT)**

(73) **Assignee:** **Mobica Modern Building Carpentry Co., Giza (EG)**

(\*\*) **Term:** **14 Years**

(21) **Appl. No.:** **29/178,947**

(22) **Filed:** **Apr. 2, 2003**

(30) **Foreign Application Priority Data**

Oct. 4, 2002 (IT) ..... MI2002O0659

(51) **LOC (8) Cl.** ..... **06-03**

(52) **U.S. Cl.** ..... **D6/480**

(58) **Field of Search** ..... D6/480-489, 495,  
D6/499; 108/50.01, 50.02, 28, 29, 153.1,  
155, 156, 157.1, 161; 248/188, 188.1, 188.8;  
312/208.1

(56) **References Cited**

**U.S. PATENT DOCUMENTS**

D288,880 S \* 3/1987 Favaretto et al. .... D6/484  
D336,394 S \* 6/1993 Ball ..... D6/467  
D367,193 S \* 2/1996 Dame et al. .... D6/495

\* cited by examiner

*Primary Examiner*—Janice E. Seeger

(74) *Attorney, Agent, or Firm*—Kirschstein et al.

(57) **CLAIM**

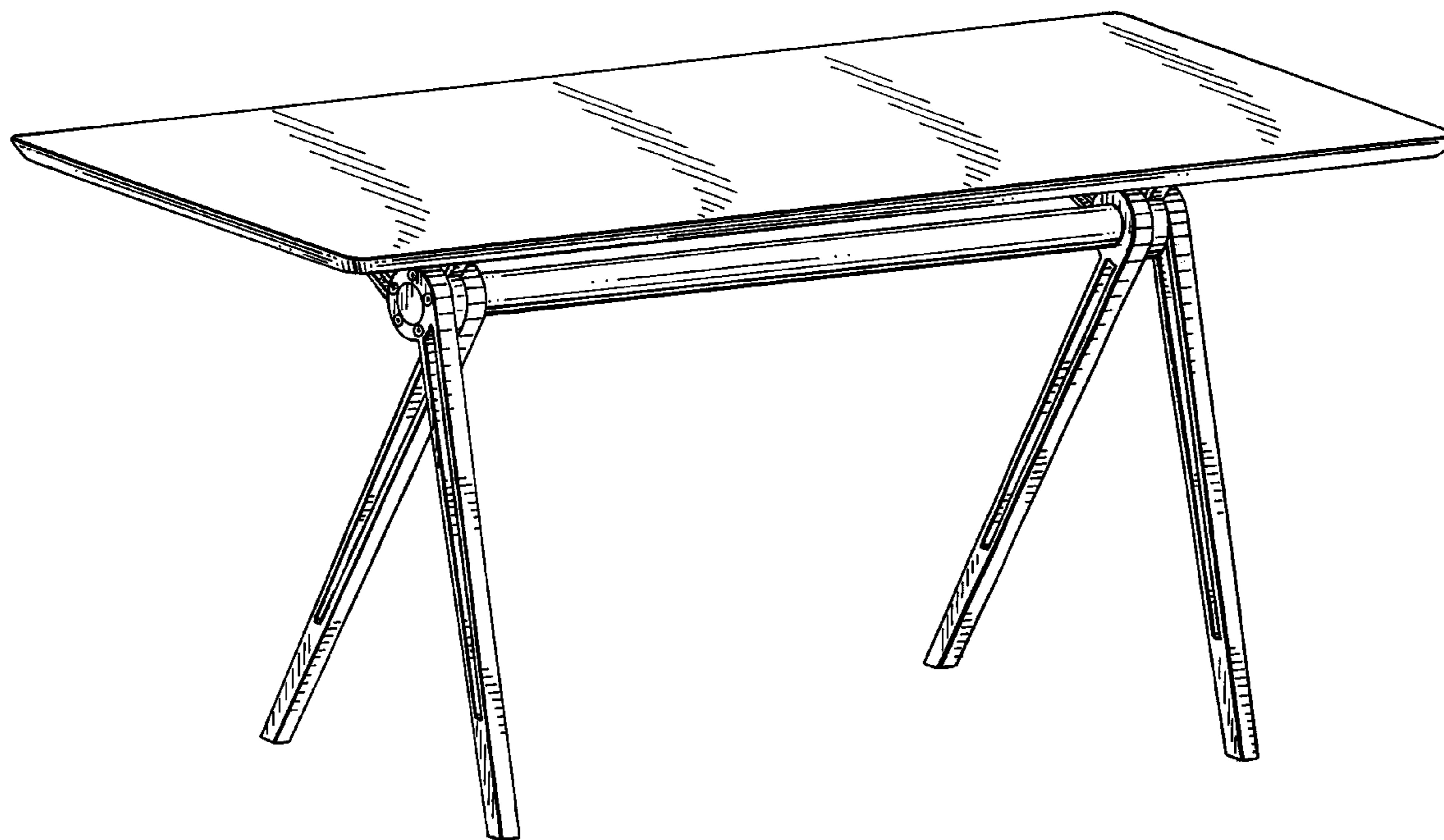
The ornamental design for a table, as shown.

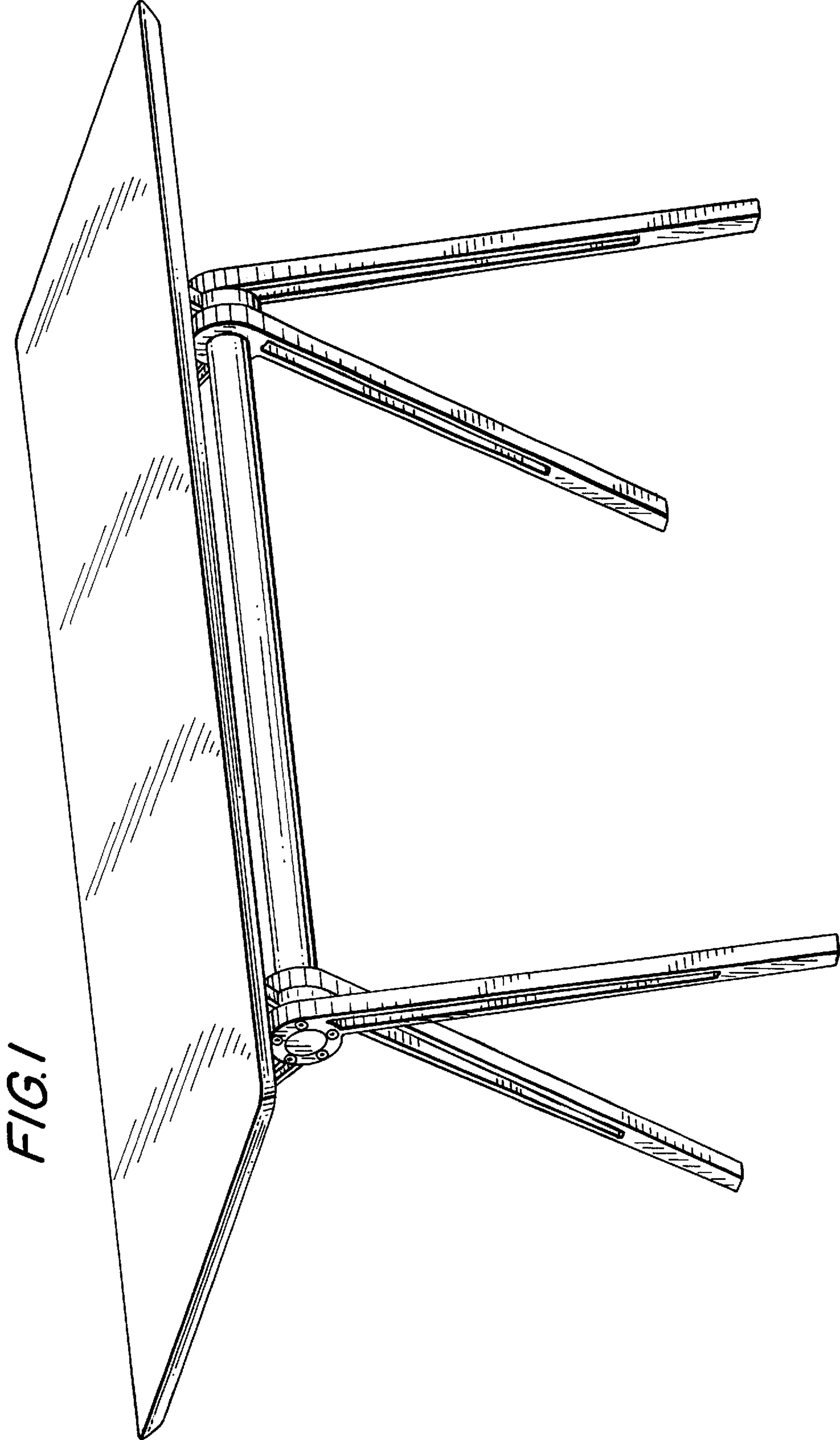
**DESCRIPTION**

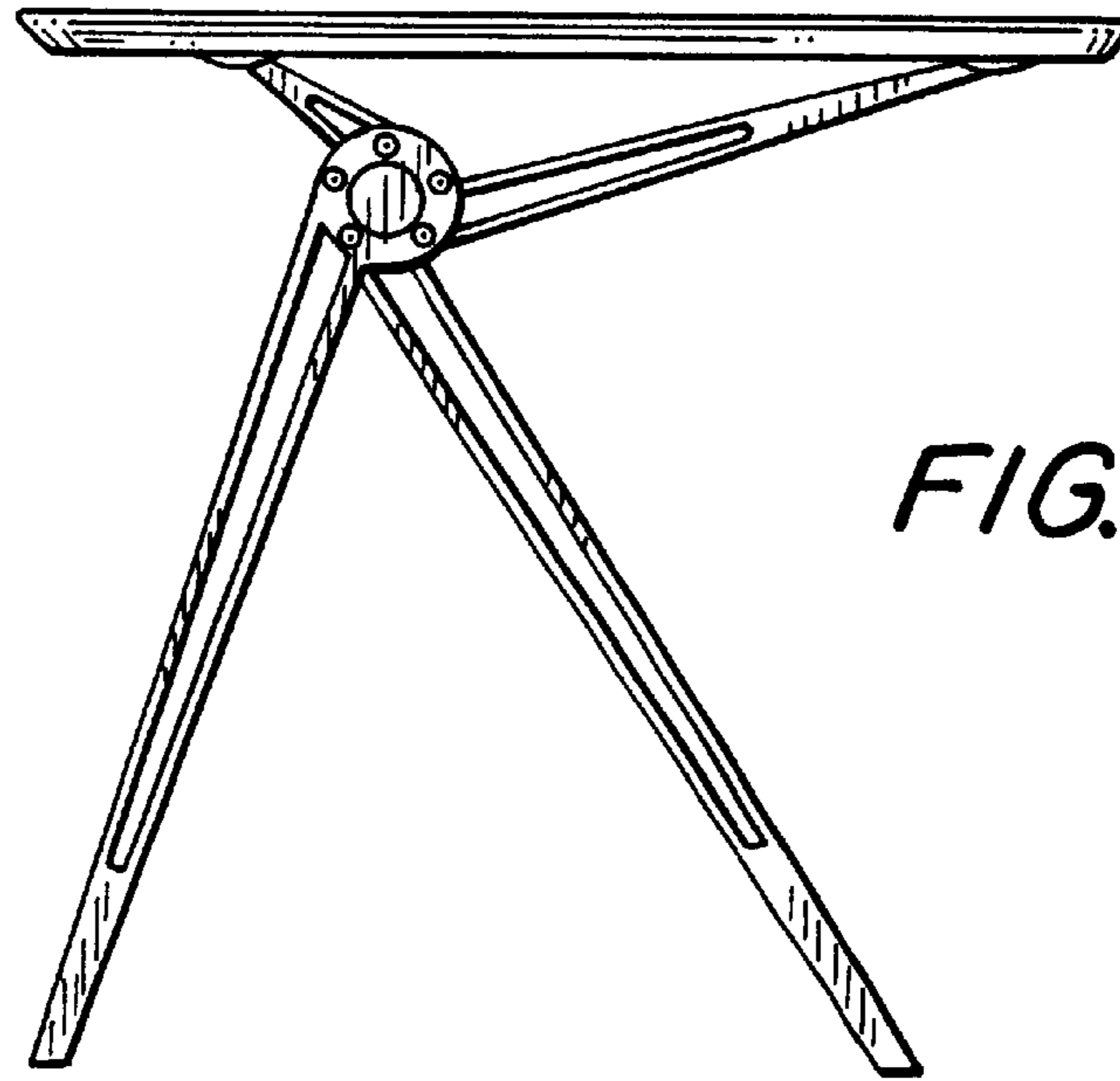
FIG. 1 is a perspective view of a table according to the invention; and,

FIG. 2 is a side elevational view thereof.

**1 Claim, 2 Drawing Sheets**







*FIG. 2*