



US00D506090S

(12) **United States Design Patent**
Ben-Or

(10) **Patent No.:** **US D506,090 S**
(45) **Date of Patent:** **** Jun. 14, 2005**

(54) **STORAGE BOX**

(75) Inventor: **Yoav Ben-Or**, Dollard des Ormeaux
(CA)

(73) Assignee: **Storex Industries Corporation**, La
Salle (CA)

(**) Term: **14 Years**

(21) Appl. No.: **29/177,677**

(22) Filed: **Mar. 13, 2003**

(51) **LOC (8) Cl.** **06-04**

(52) **U.S. Cl.** **D6/448; D6/432**

(58) **Field of Search** D6/432, 441, 446,
D6/448, 407, 631, 632; D3/272, 273, 294;
206/503, 509, 512; 312/194, 204, 138.1

(56) **References Cited**

U.S. PATENT DOCUMENTS

D321,999 S	*	12/1991	Hasuike	D6/446
5,358,321 A	*	10/1994	Leonardi	312/9.55
D379,897 S	*	6/1997	Huang	D6/632
D410,230 S	*	5/1999	Witte	D6/432
D410,351 S	*	6/1999	Magnusson et al.	D6/446
5,913,580 A	*	6/1999	Liu	312/108
D433,248 S	*	11/2000	Hellwig et al.	D6/441
D464,795 S	*	10/2002	Lin et al.	D3/273
D468,932 S	*	1/2003	Licari	D6/441
D471,377 S	*	3/2003	Gledhill et al.	D6/432
D474,625 S	*	5/2003	Chen	D6/432
D493,058 S	*	7/2004	Whitehead et al.	D6/631

* cited by examiner

Primary Examiner—Cathron Brooks

(74) *Attorney, Agent, or Firm*—Amster, Rothstein &
Ebenstein LLP

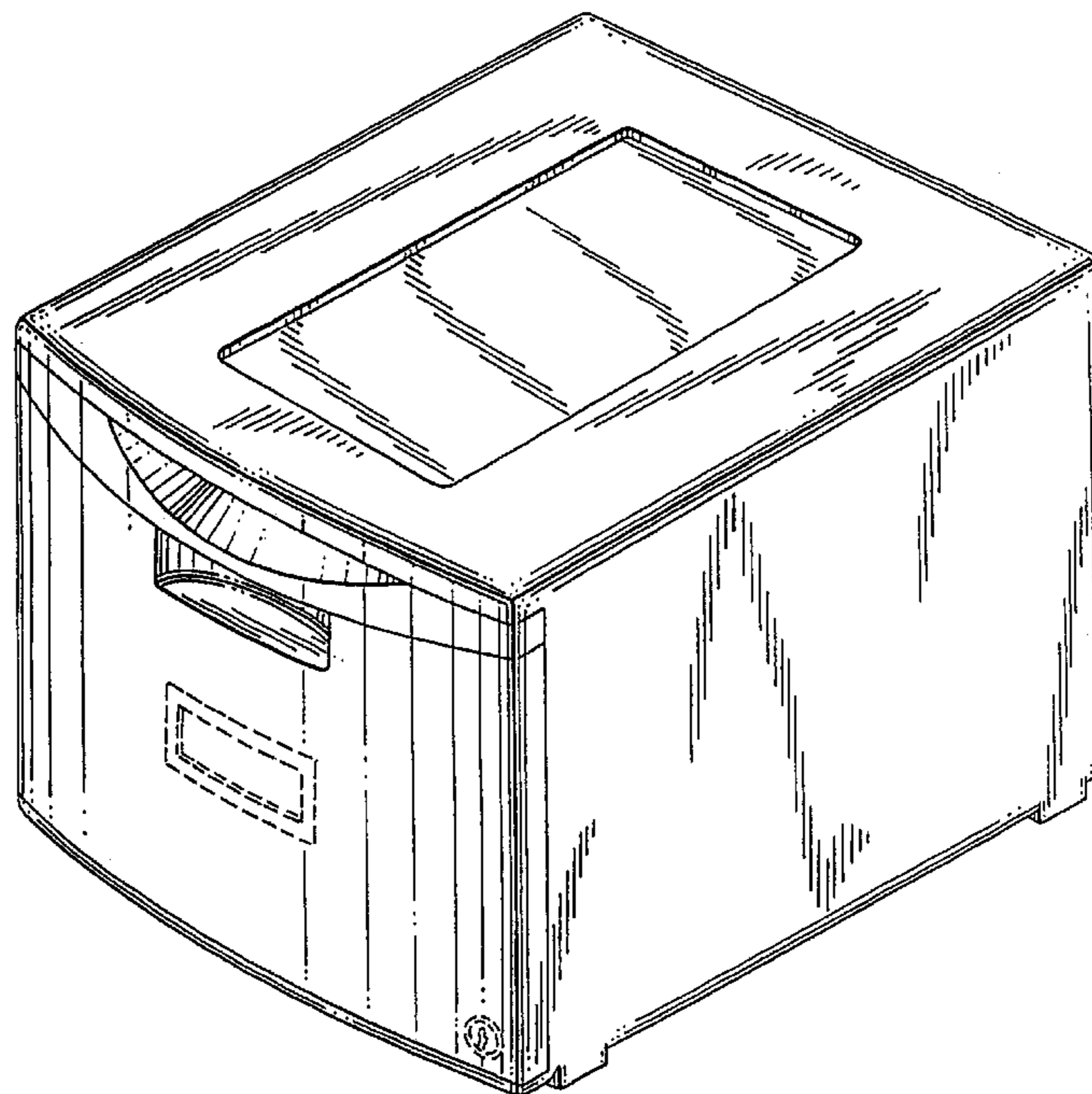
(57) **CLAIM**

The ornamental design for a storage box, as shown and
described.

DESCRIPTION

FIG. 1 is a front perspective view of a first embodiment of the storage box of my new design;
 FIG. 2 is a bottom front perspective view thereof,
 FIG. 3 is a top plan view thereof,
 FIG. 4 is a front elevation view thereof,
 FIG. 5 is a right side elevation view thereof, the left side elevation view is a mirror image of FIG. 5,
 FIG. 6 is a rear elevation view thereof,
 FIG. 7 is a bottom plan view thereof,
 FIG. 8 is a top, front perspective view of a second embodiment of my new design, similar to FIG. 1 except for the stippled portion which indicates a different color or texture from the remaining surfaces; the remaining views of this embodiment are the same except for this difference;
 FIG. 9 is a top, front perspective view of a third embodiment of my new design, similar to FIG. 1 except for the omission of the upper crescent shaped recessed area; the remaining views of this embodiment are the same except for this omission; and,
 FIG. 10 is a bottom, front perspective view of a fourth embodiment of my new design; the top, right and left side and rear elevation views are the same as FIGS. 3, 5 and 6 except for the inclusion of the casters as seen in FIG. 10.
 The broken lines shown are for illustrative purposes only and form no part of the claimed design.

1 Claim, 8 Drawing Sheets



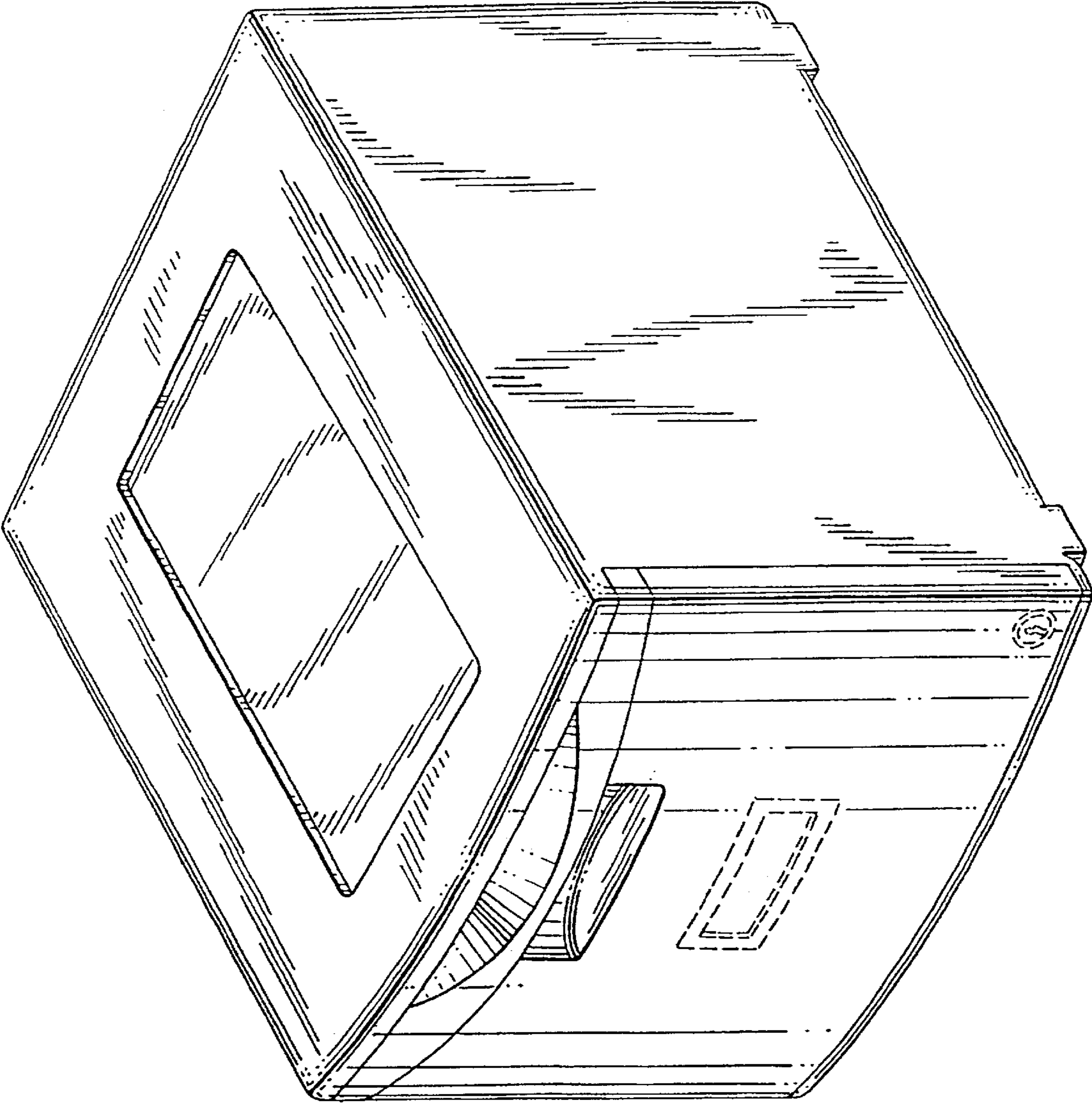


FIG. 1

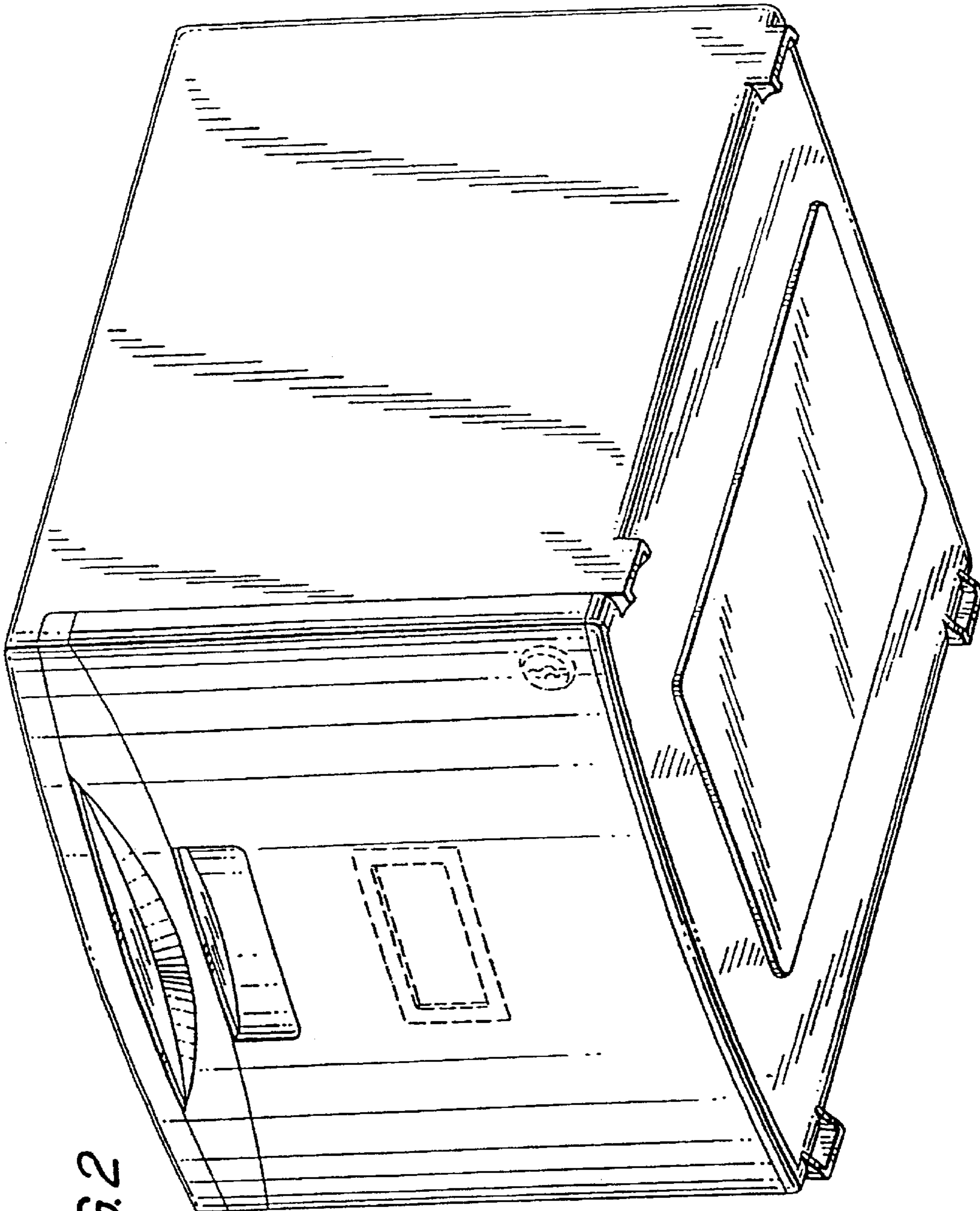


FIG. 2

FIG. 3

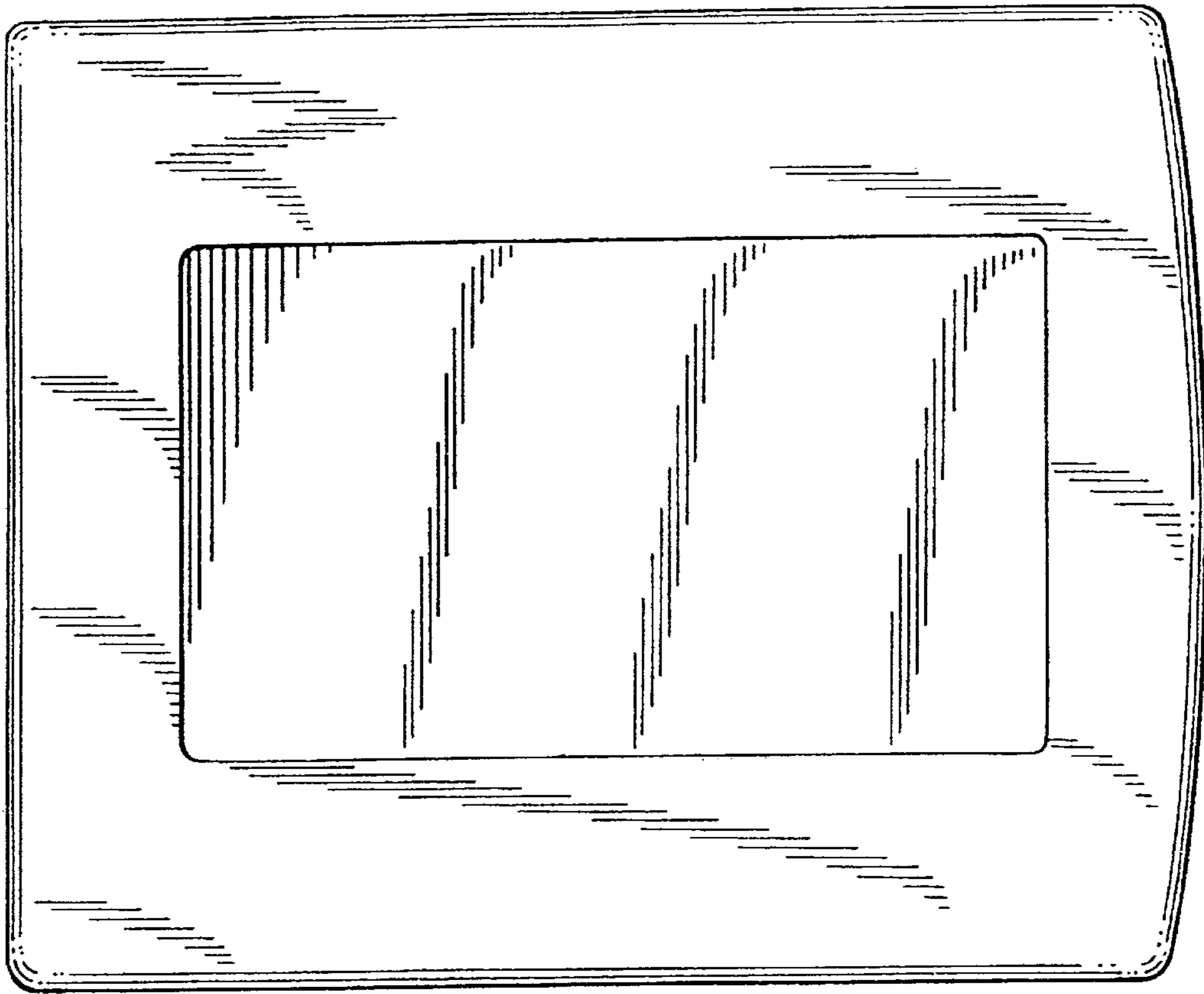


FIG. 4

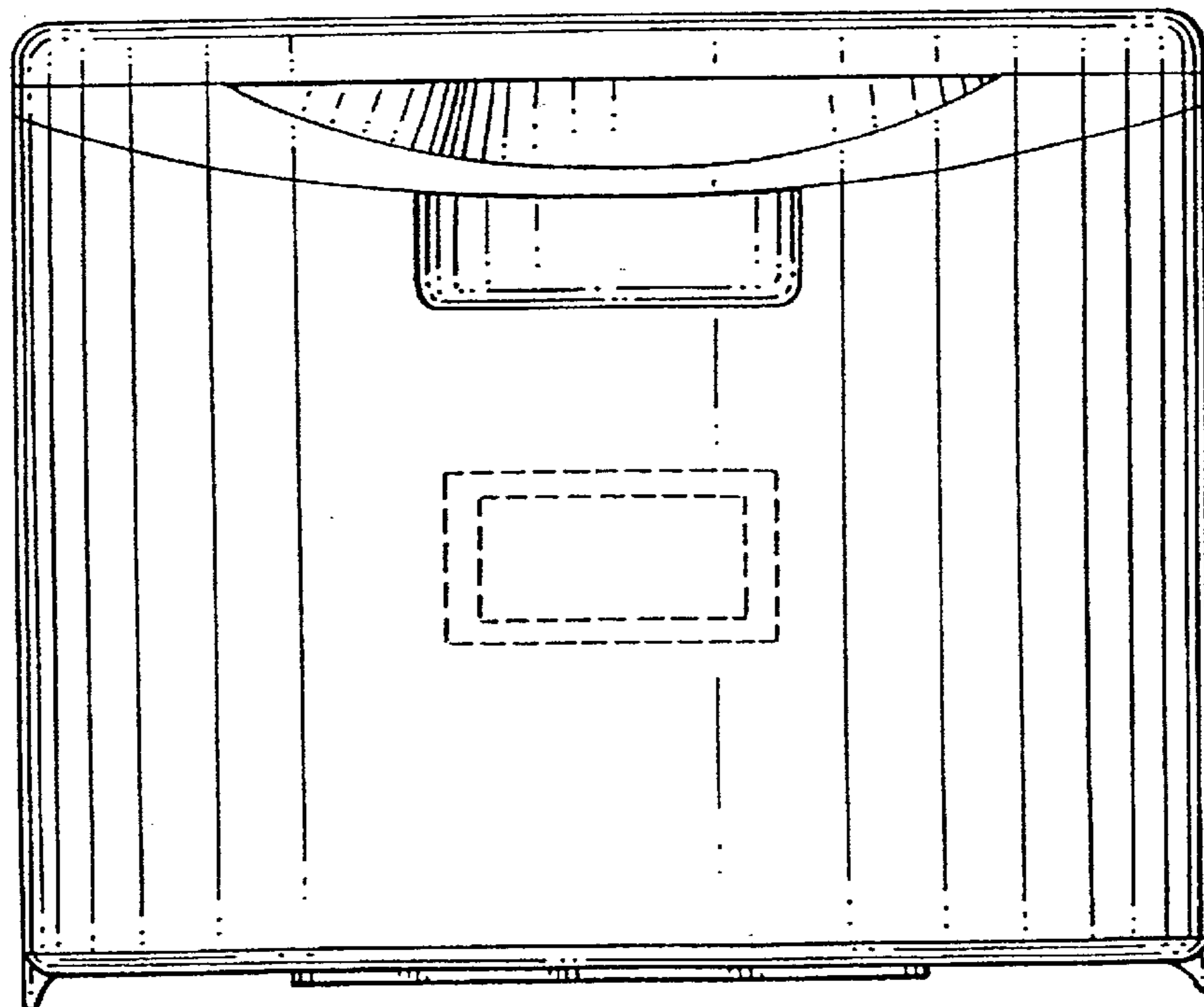


FIG. 5

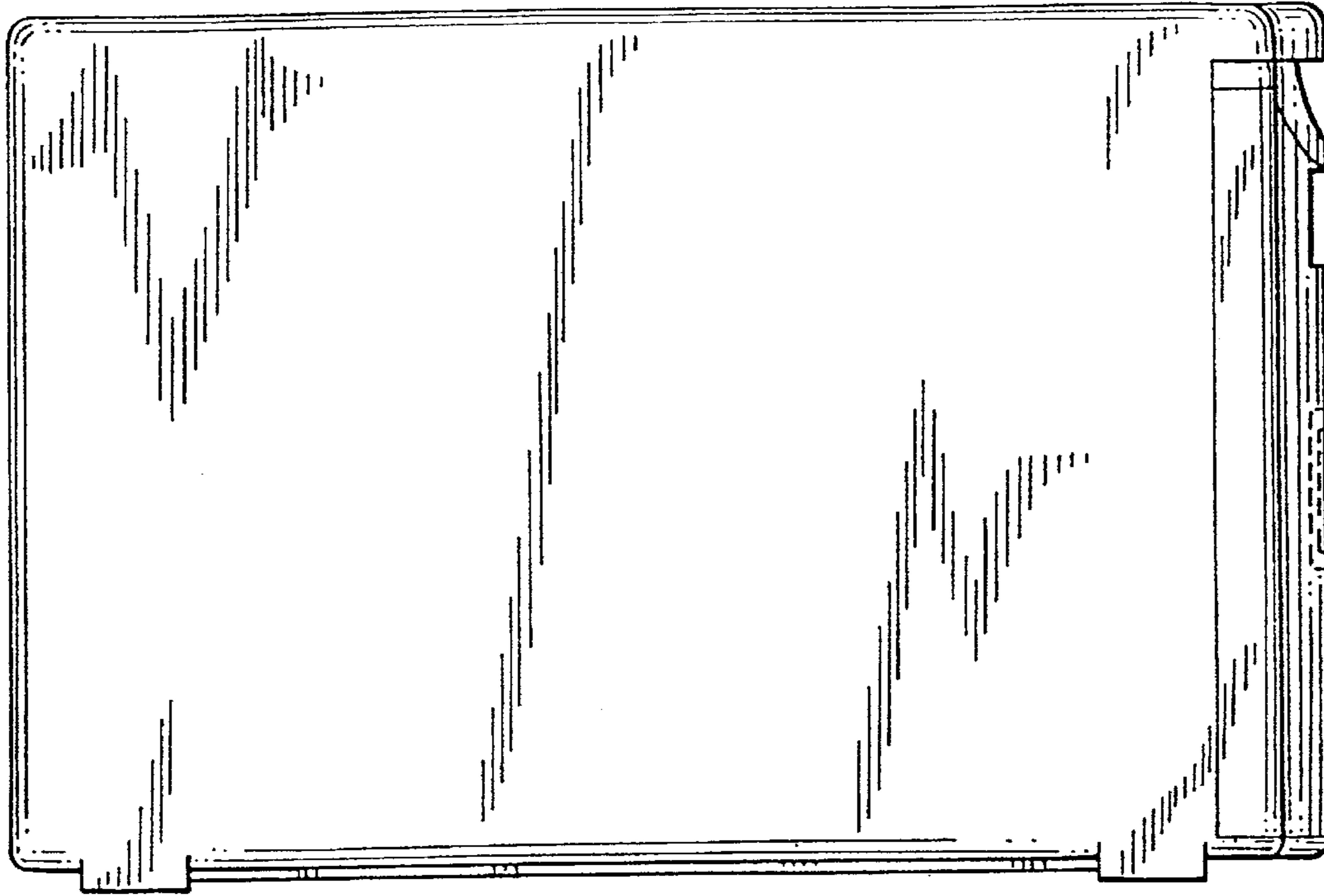
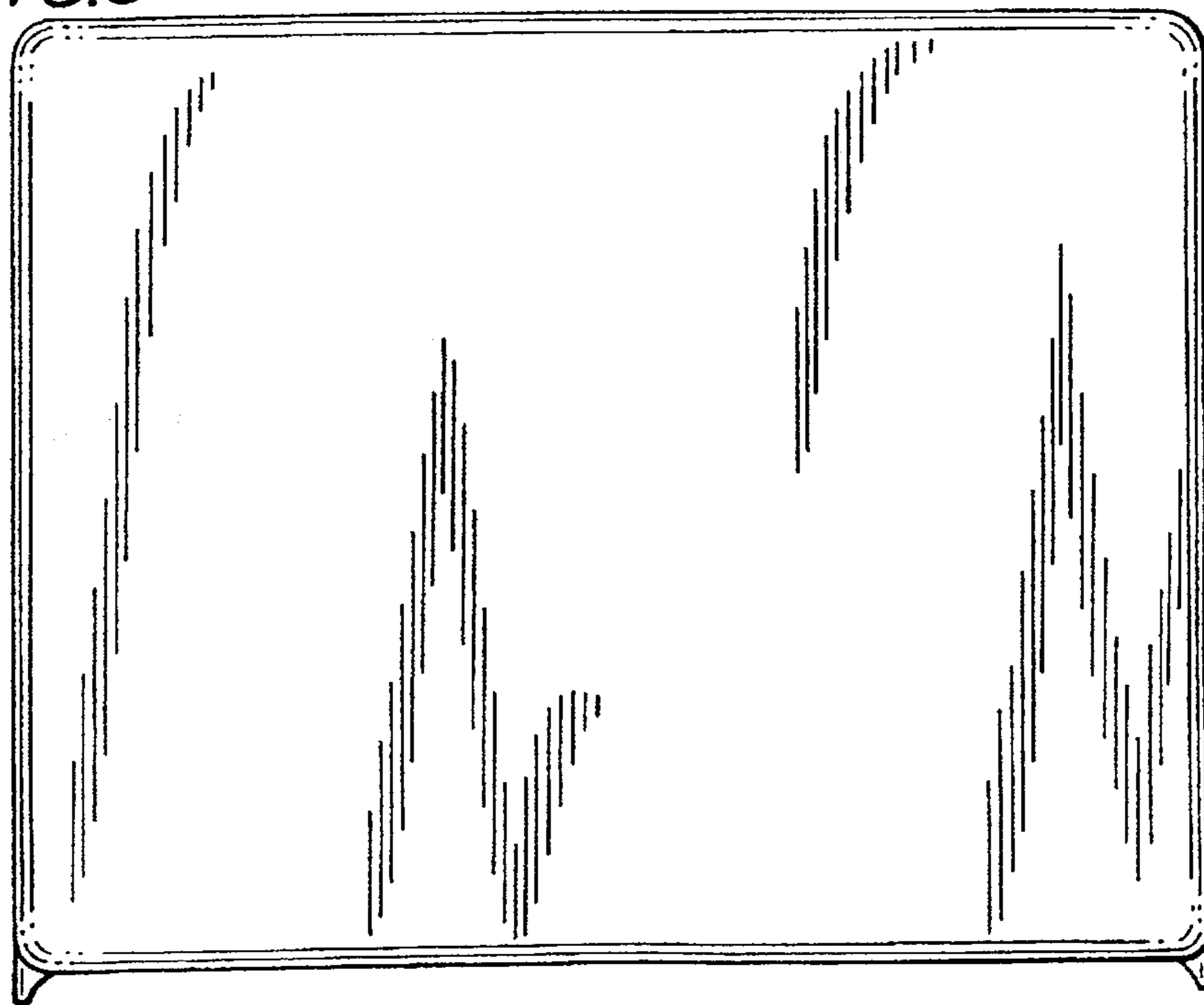


FIG. 6



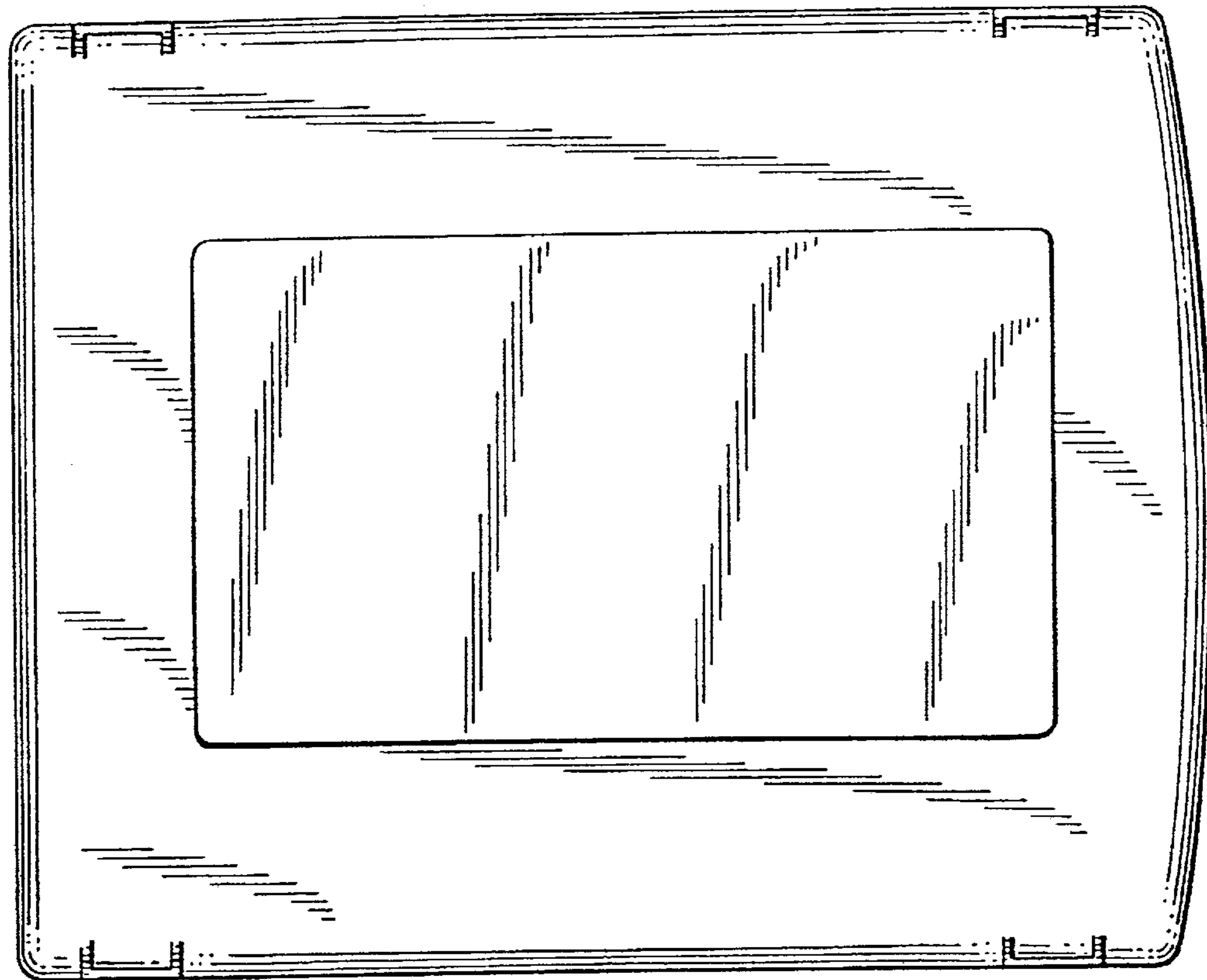


FIG. 7

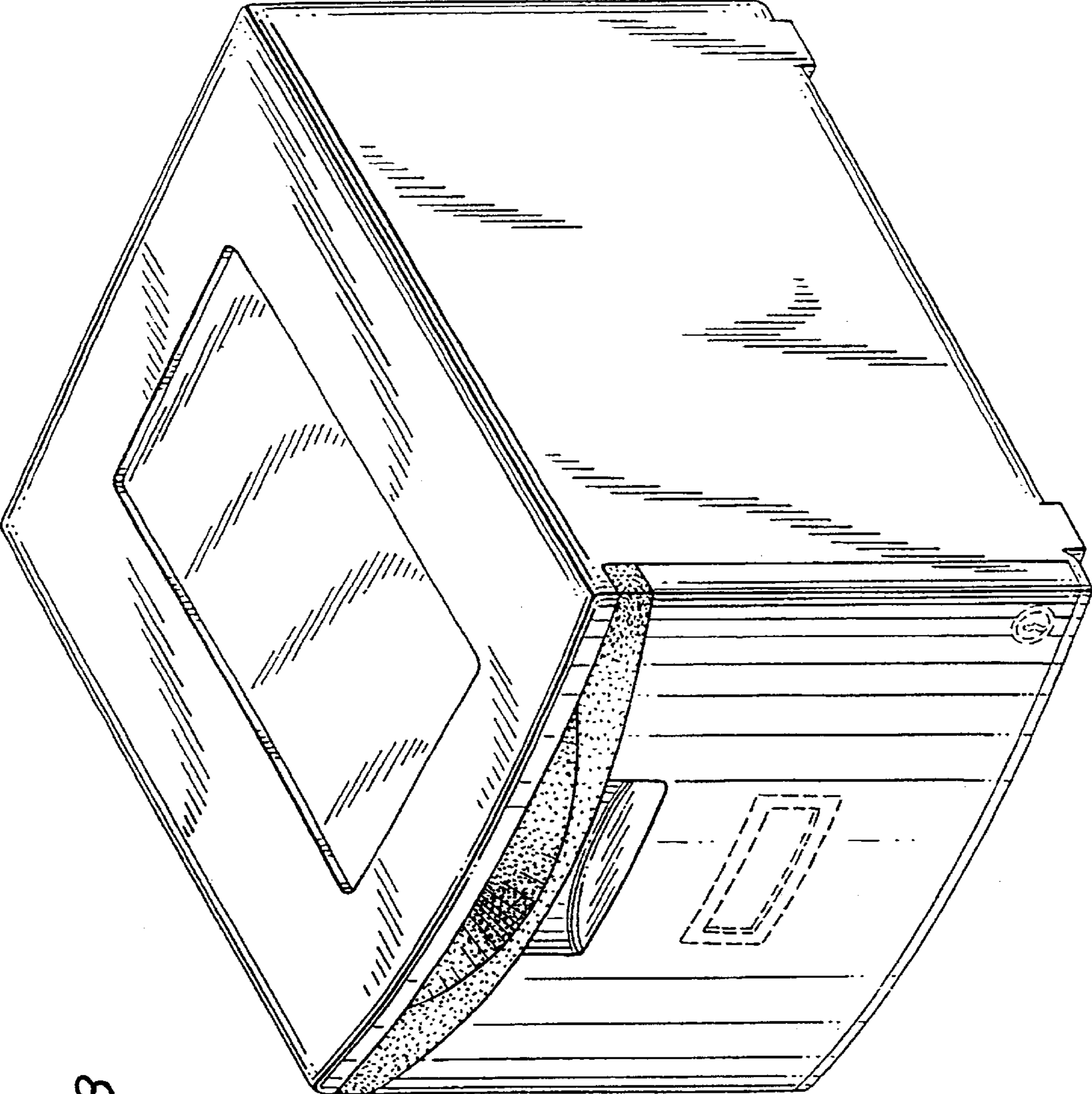


FIG. 8

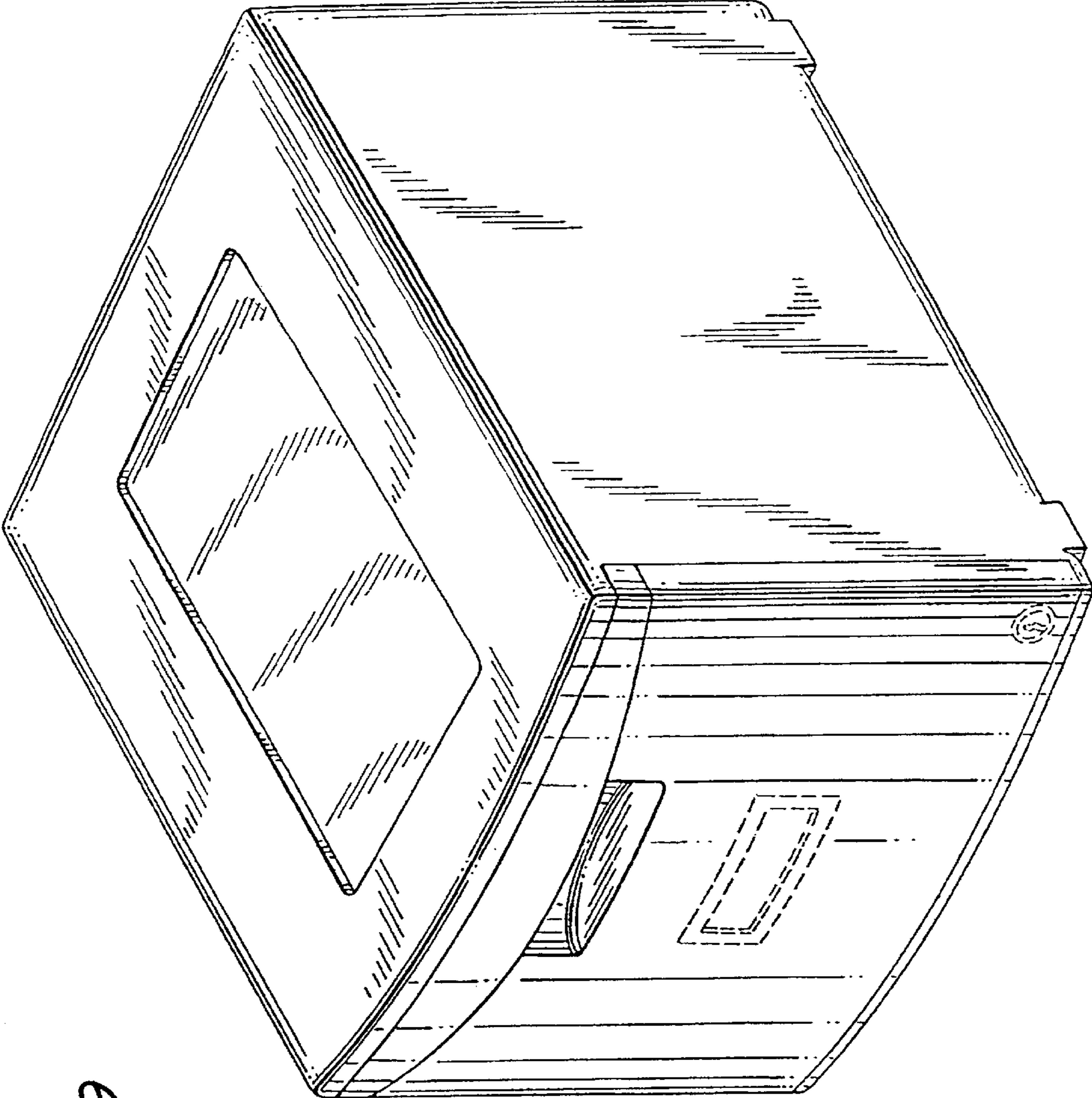


FIG. 9

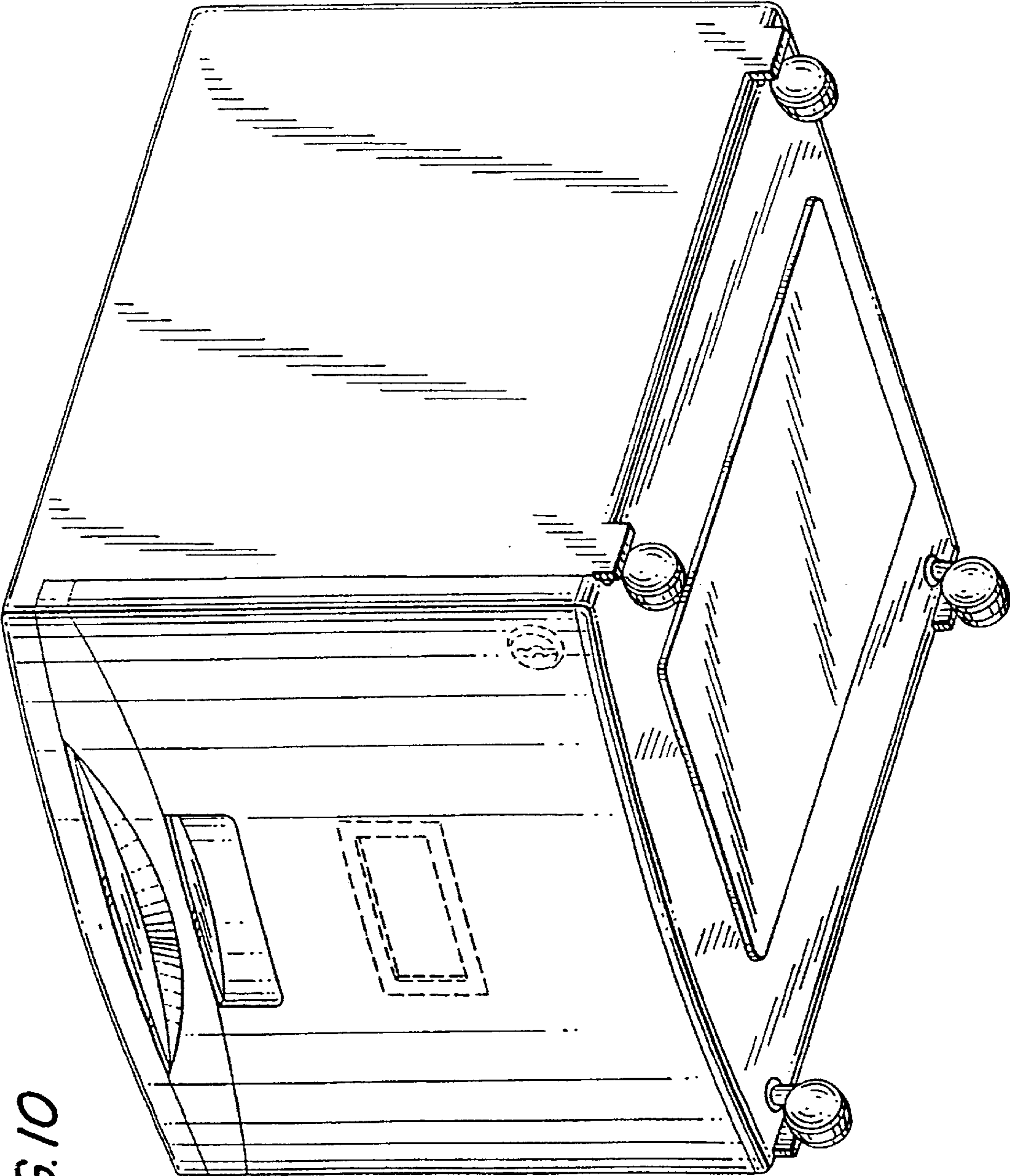


FIG. 10