

US00D506082S

(12) **United States Design Patent**
Foy

(10) **Patent No.:** **US D506,082 S**
(45) **Date of Patent:** **** Jun. 14, 2005**

(54) **STOOL**

(75) **Inventor:** **Hunter Thornell Foy**, 39 SW. 10th
Ave., Boca Raton, FL (US) 33486

(73) **Assignee:** **Hunter Thornell Foy**, Boca Raton, FL
(US)

(**) **Term:** **14 Years**

(21) **Appl. No.:** **29/205,856**

(22) **Filed:** **May 21, 2004**

(51) **LOC (8) Cl.** **06-01**

(52) **U.S. Cl.** **D6/352; D6/484**

(58) **Field of Search** D6/349-352, 355,
D6/360, 484, 495; 297/423.39, 423.41,
423.42

(56) **References Cited**

U.S. PATENT DOCUMENTS

- D107,860 S * 1/1938 Ferris D6/352
- D233,108 S * 10/1974 Rosen D6/484
- D240,871 S * 8/1976 Herman D6/352

- D286,345 S * 10/1986 Stanislawski, Jr. et al. .. D6/349
- D359,638 S * 6/1995 Goldstein D6/482
- D456,644 S * 5/2002 Weaver D6/484

* cited by examiner

Primary Examiner—Joel A. Sincavage
Assistant Examiner—Vy Nguyen

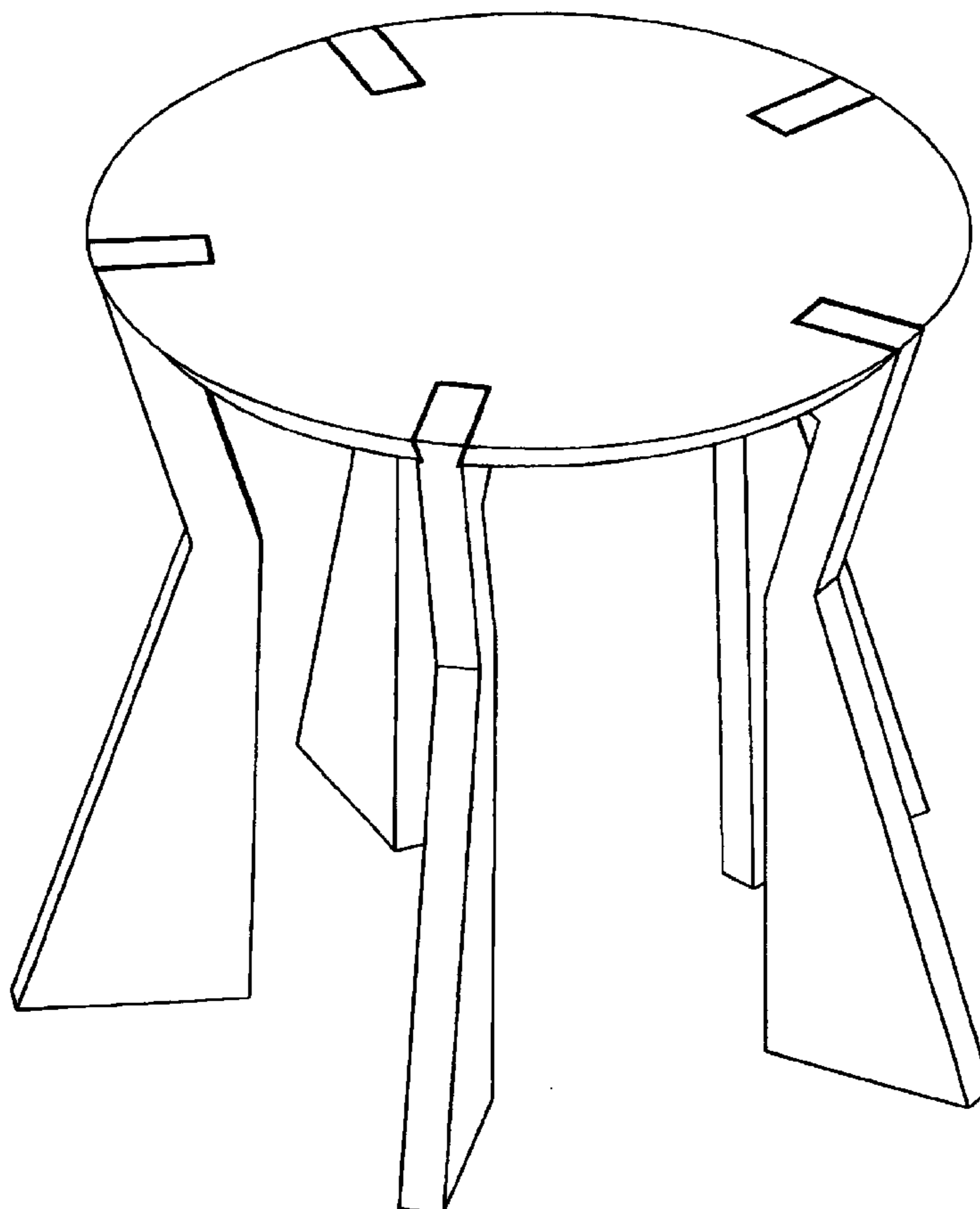
(57) **CLAIM**

The ornamental design for a stool, as shown and described.

DESCRIPTION

FIG. 1 is a top left perspective view of the stool showing the new design;
 FIG. 2 is a front elevational view thereof on a reduced scale;
 FIG. 3 is a rear elevational view thereof on a reduced scale;
 FIG. 4 is a right side elevational view thereof on a reduced scale;
 FIG. 5 is a left side elevational view thereof on a reduced scale;
 FIG. 6 is a top plan view thereof on a reduced scale; and,
 FIG. 7 is a bottom plan view thereof on a reduced scale.

1 Claim, 7 Drawing Sheets



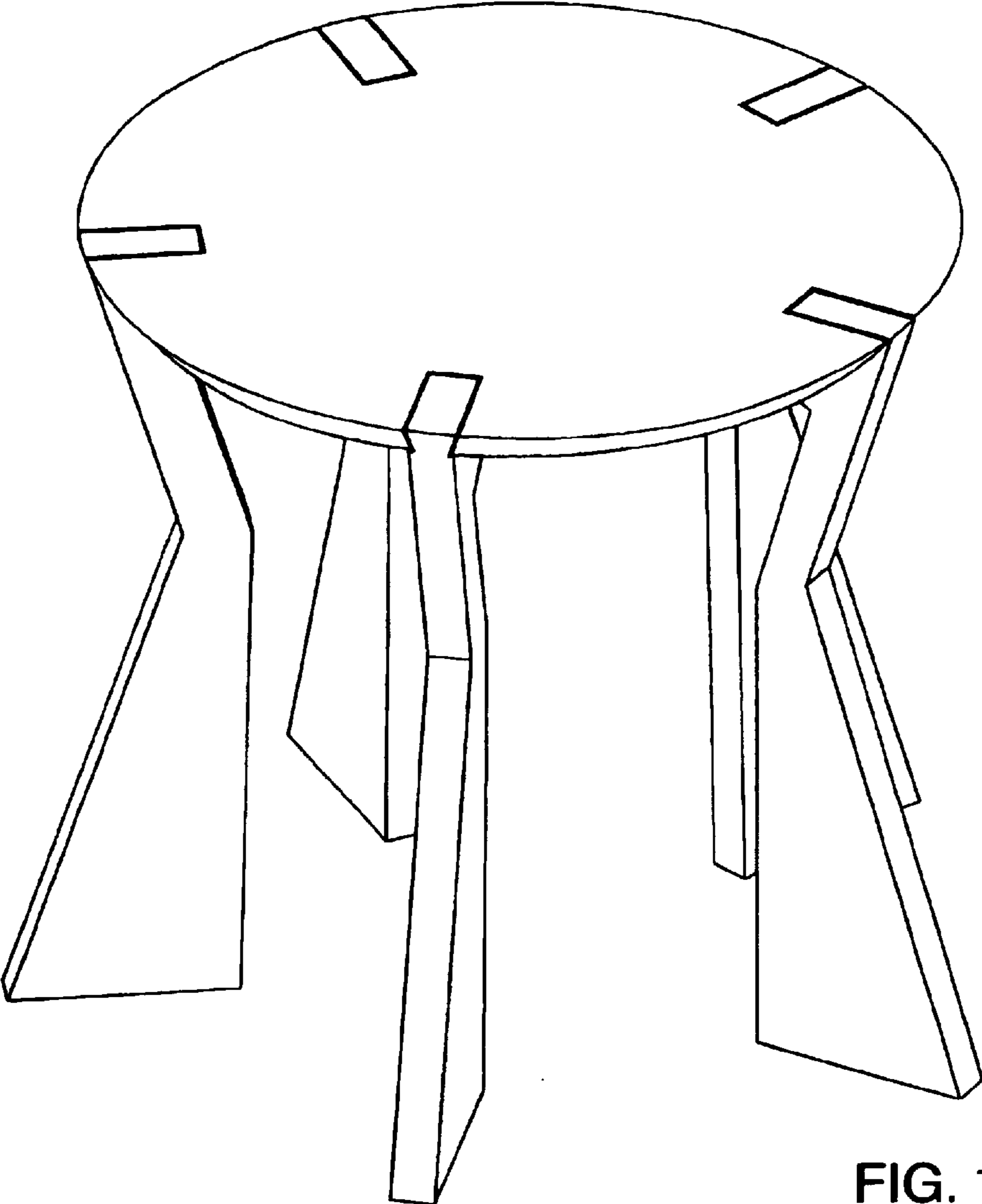


FIG. 1

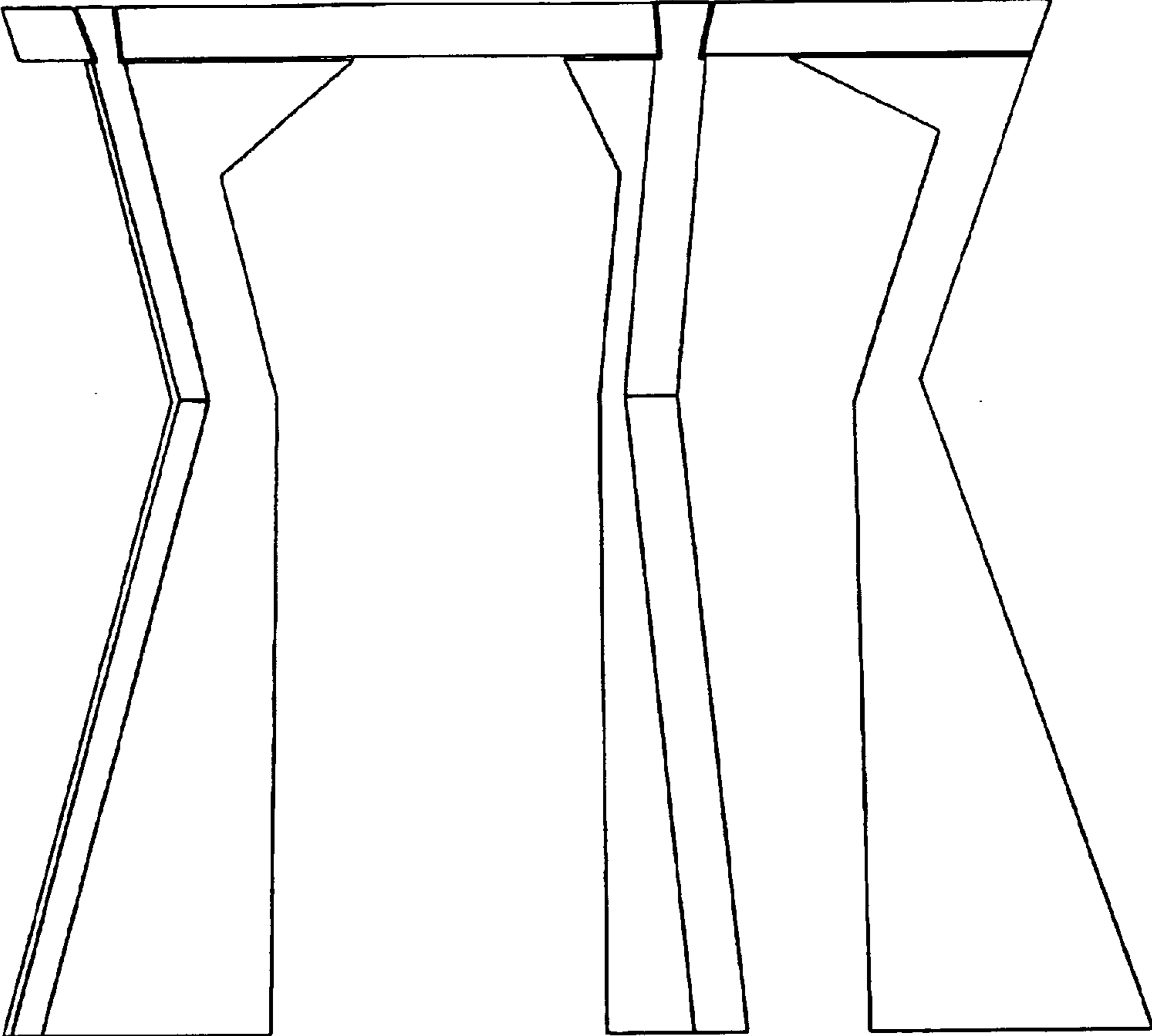


FIG. 2

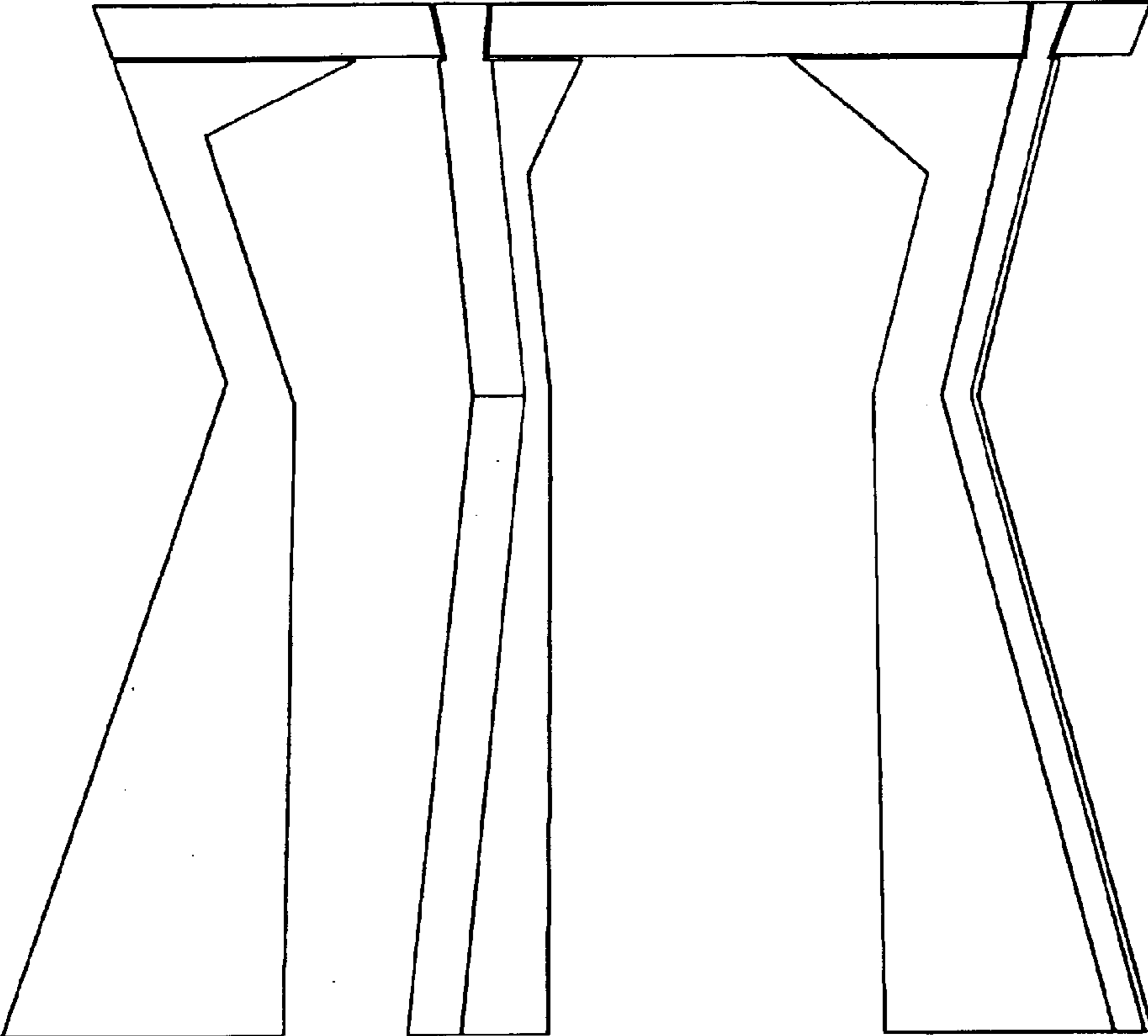


FIG. 3

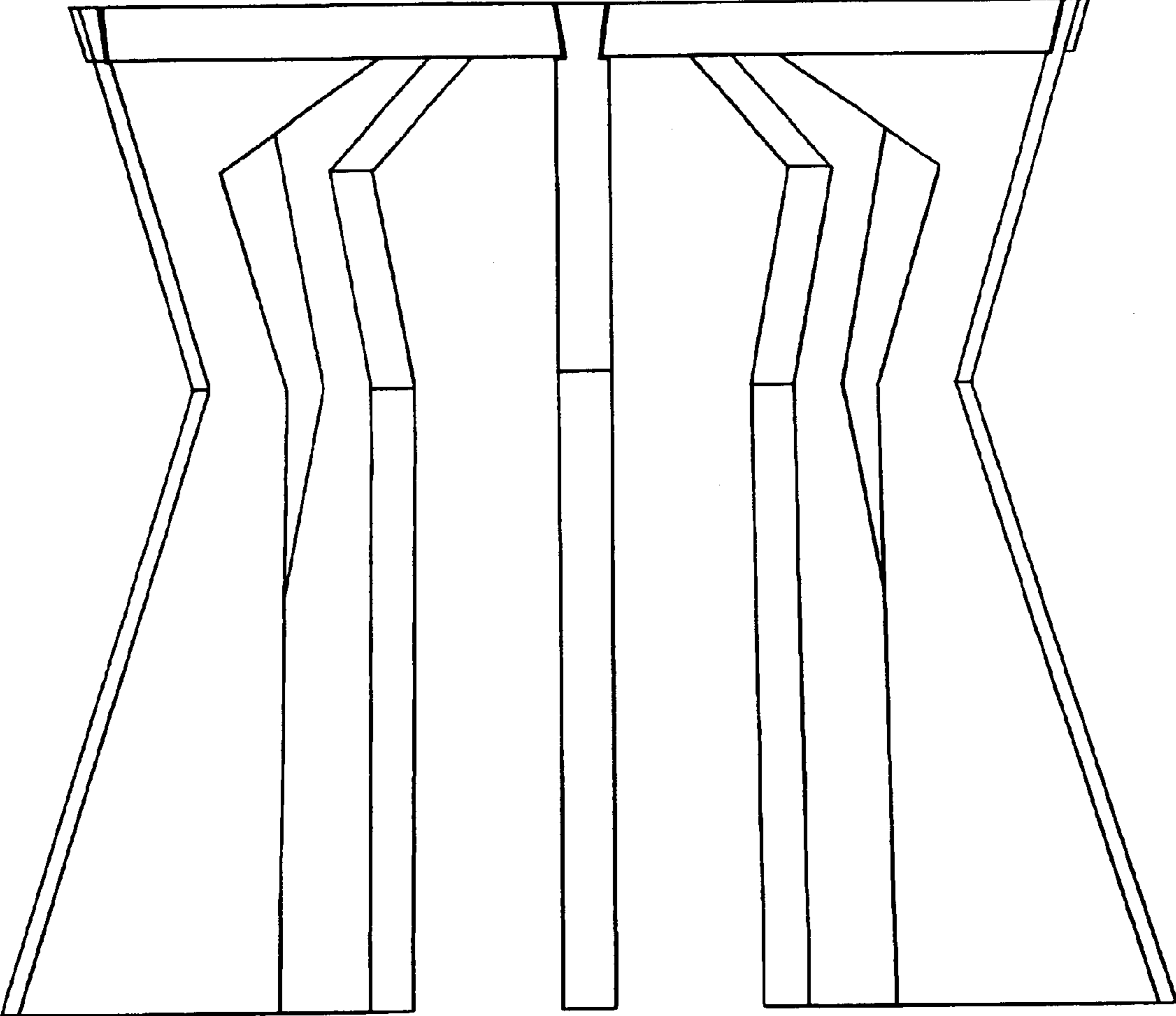


FIG. 4

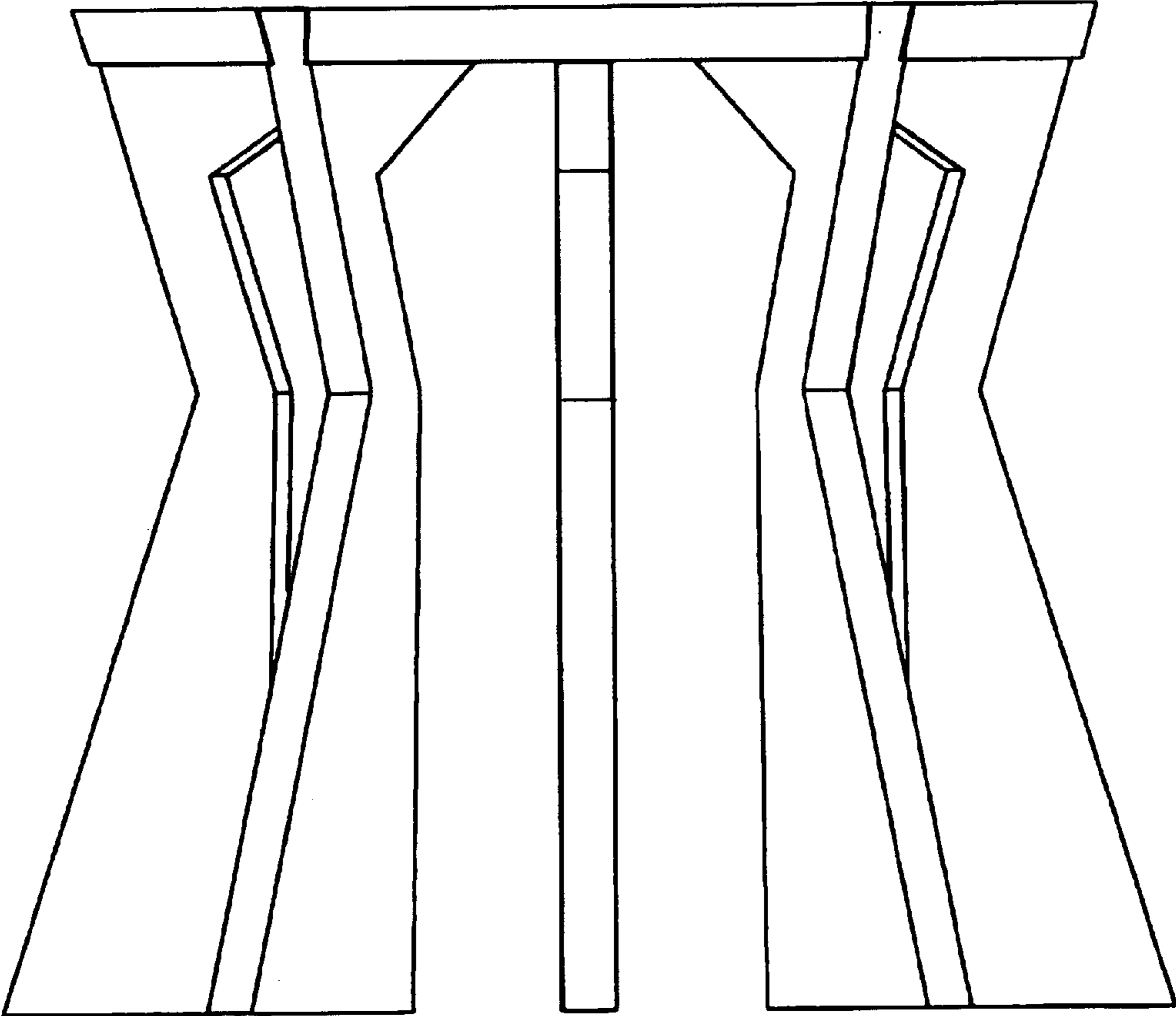


FIG. 5

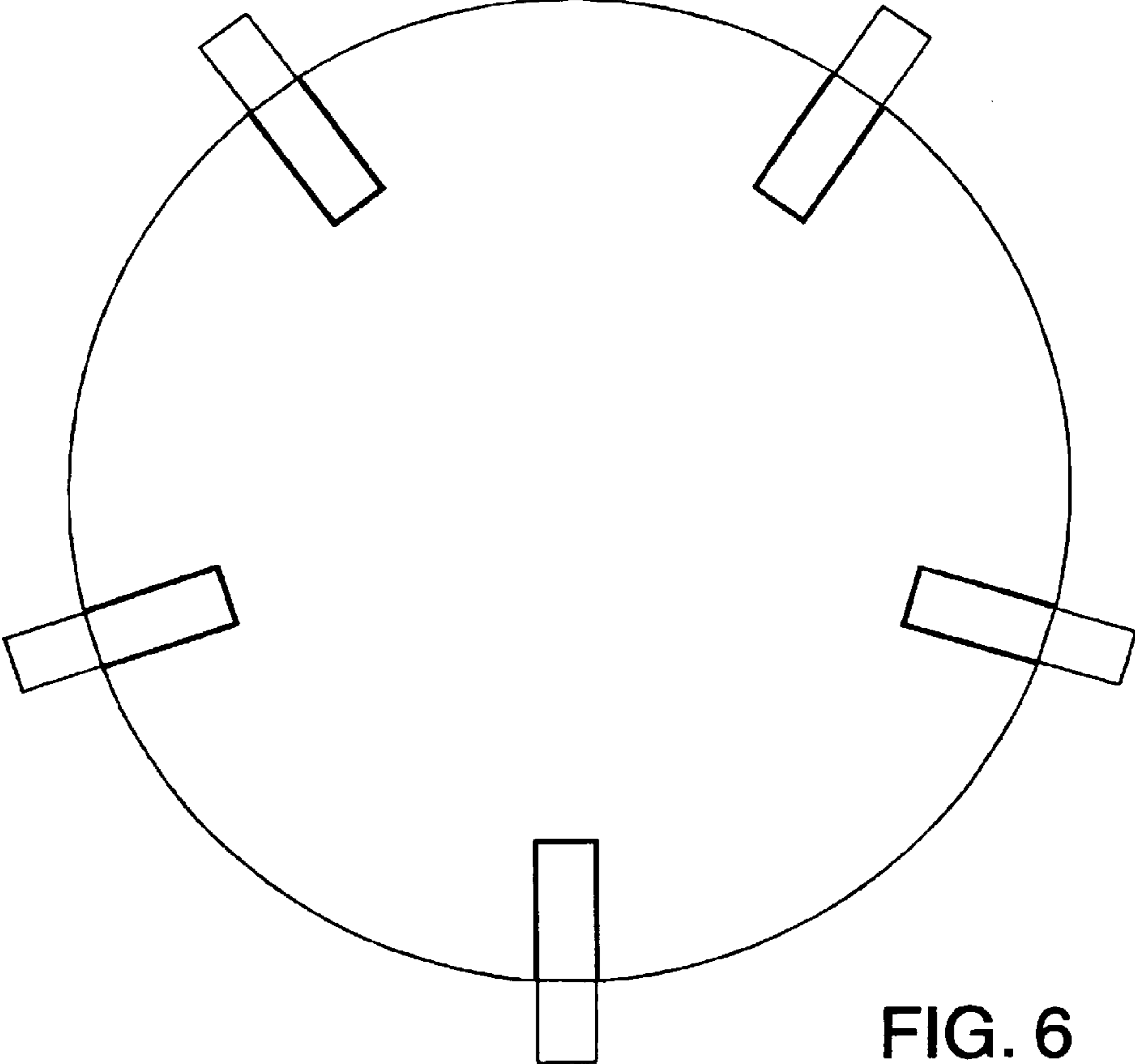


FIG. 6

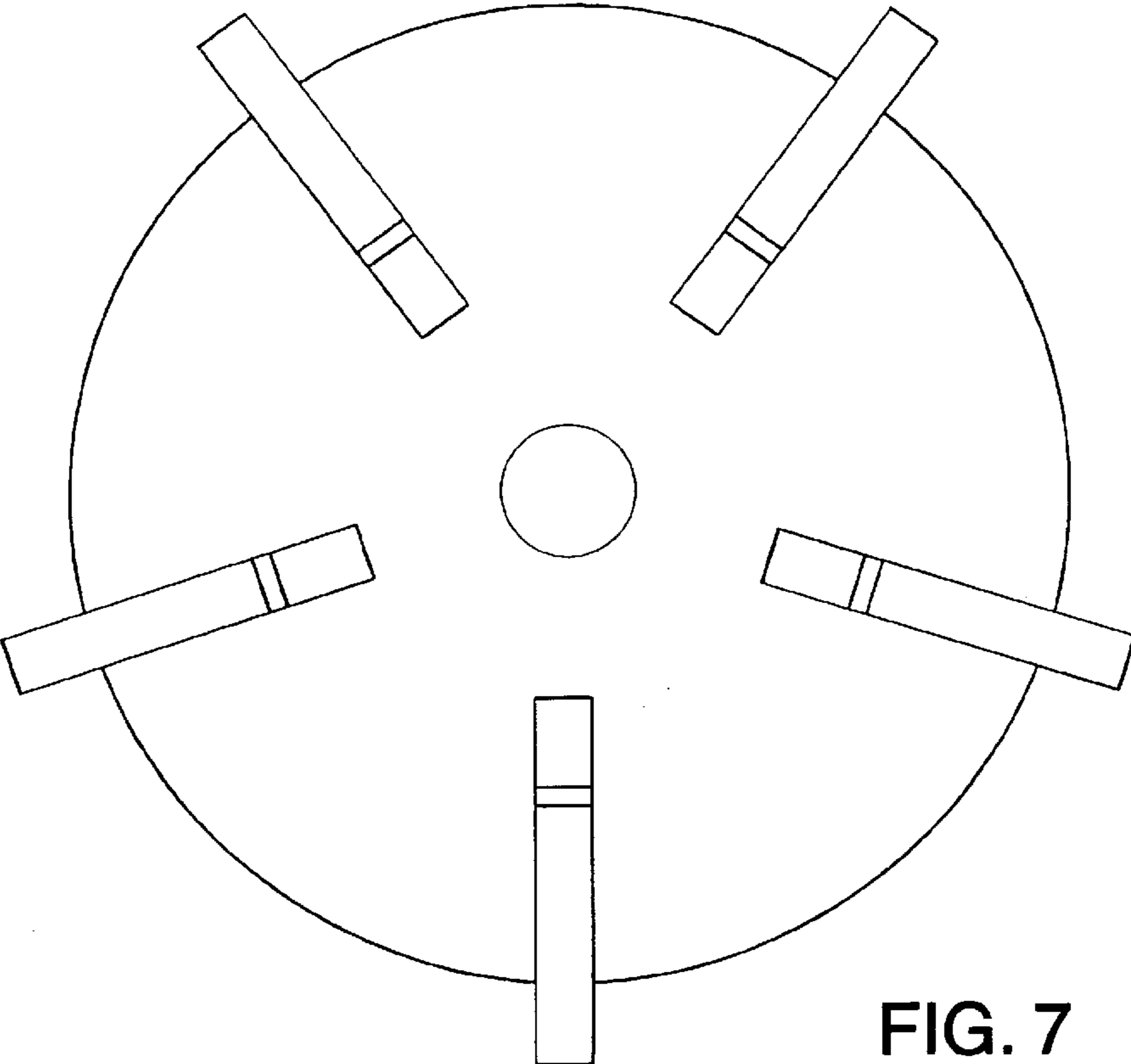


FIG. 7